



US00D648147S

(12) **United States Design Patent**
Izawa

(10) **Patent No.:** **US D648,147 S**

(45) **Date of Patent:** **** Nov. 8, 2011**

(54) **CHAIR**

(75) Inventor: **Syouichi Izawa**, Tokyo (JP)

(73) Assignee: **Okamura Corporation**, Kanagawa-ken (JP)

(**) Term: **14 Years**

(21) Appl. No.: **29/349,569**

(22) Filed: **Apr. 15, 2010**

(30) **Foreign Application Priority Data**

Oct. 16, 2009 (JP) D2009-024306

(51) **LOC (9) Cl.** **06-01**

(52) **U.S. Cl.** **D6/366**

(58) **Field of Classification Search** D6/334-336,
D6/364, 365, 366, 367, 379, 380, 498, 500-502;
297/411.2, 411.27, 411.36, 452.13, 452.21,
297/452.29, 452.3, 452.35, 452.48

See application file for complete search history.

(56) **References Cited**

U.S. PATENT DOCUMENTS

D561,499	S	*	2/2008	Schweikarth et al.	D6/500
D567,523	S	*	4/2008	Hara	D6/366
D568,625	S	*	5/2008	Klaasen et al.	D6/366
D613,087	S	*	4/2010	Fujita	D6/366
D613,088	S	*	4/2010	Fujita	D6/366

* cited by examiner

Primary Examiner — Mimoso De

(74) *Attorney, Agent, or Firm* — Carrier Blackman & Associates, P.C.; Joseph P. Carrier; William D. Blackman

(57) **CLAIM**

The ornamental design for a chair, as shown and described.

DESCRIPTION

FIG. 1 is a front perspective view of top, front and left side of a chair showing my new design;

FIG. 2 is a rear perspective view of top, rear and right side thereof;

FIG. 3 is a front view thereof;

FIG. 4 is a rear view thereof;

FIG. 5 is a left side view thereof;

FIG. 6 is a right side view thereof;

FIG. 7 is a top plan view thereof; and,

FIG. 8 is a bottom view thereof.

1 Claim, 7 Drawing Sheets





FIG. 1



FIG. 2



FIG. 3



FIG. 4



FIG. 5



FIG. 6

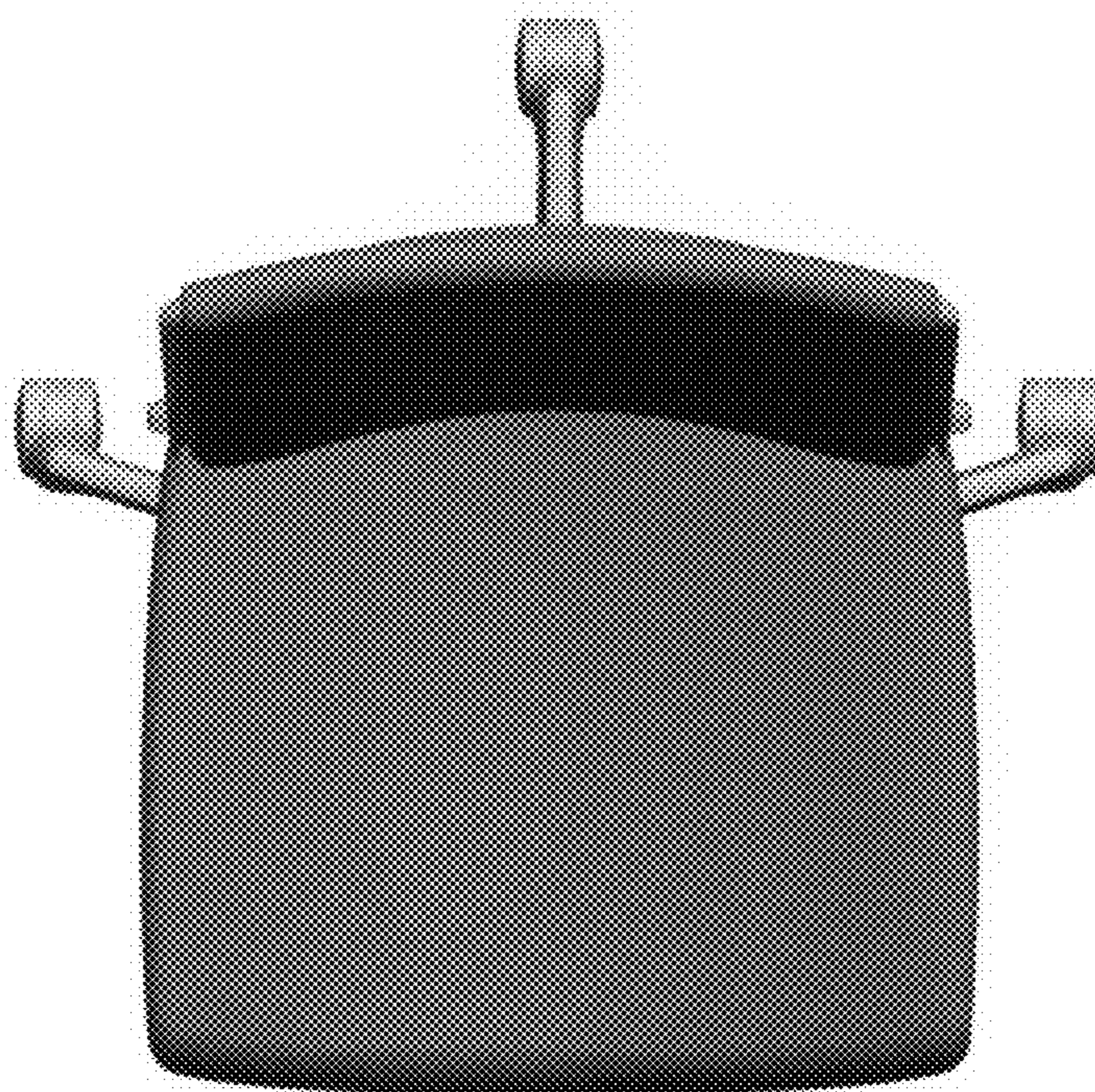


FIG. 7

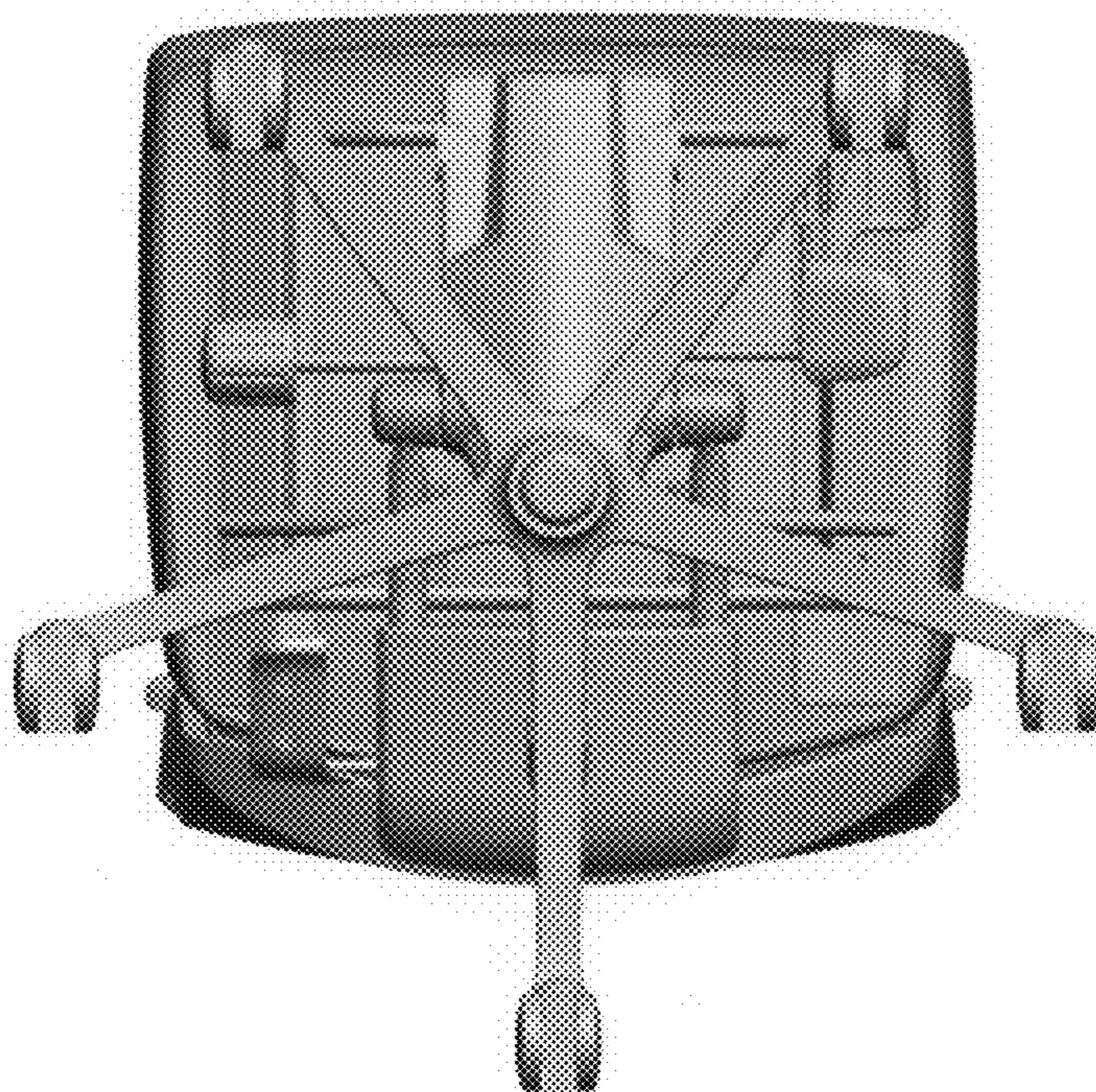


FIG. 8