



US00D648145S

(12) **United States Design Patent**
Chuang

(10) **Patent No.:** **US D648,145 S**

(45) **Date of Patent:** **** Nov. 8, 2011**

(54) **SWING CHAIR**

(75) Inventor: **Lung-Fei Chuang**, Taichung (TW)

(73) Assignee: **Lung-Fei Chuang**, Taichung (TW)

(**) Term: **14 Years**

(21) Appl. No.: **29/360,039**

(22) Filed: **Apr. 20, 2010**

(30) **Foreign Application Priority Data**

Feb. 2, 2010 (CN) 201030108181

(51) **LOC (9) Cl.** **06-01**

(52) **U.S. Cl.** **D6/344**

(58) **Field of Classification Search** D6/334-336,
D6/344, 345, 346, 347, 348, 349, 355, 371,
D6/372, 373, 374, 375, 376, 379, 380, 500-502;
D21/412, 688, 828, 830; 297/258.1, 271.2,
297/271.5, 271.6, 447.3, 448.2, 451.3; 472/114
See application file for complete search history.

(56) **References Cited**

U.S. PATENT DOCUMENTS

246,458 A * 8/1881 Chandler 472/114
D94,004 S * 12/1934 Sweet D6/348

D171,458 S * 2/1954 Peltier D6/347
D245,132 S * 7/1977 Gale, Jr. D6/348
D264,987 S * 6/1982 Wise D21/688
4,919,481 A * 4/1990 Garabedian 297/271.6
D365,610 S * 12/1995 Fraser D21/688
D380,633 S * 7/1997 Shaw D6/348
D422,800 S * 4/2000 Lau D6/348
D512,747 S * 12/2005 Habing D21/412
D541,881 S * 5/2007 Habing D21/412

* cited by examiner

Primary Examiner — Mimoso De

(74) *Attorney, Agent, or Firm* — CKC & Partners Co., Ltd.

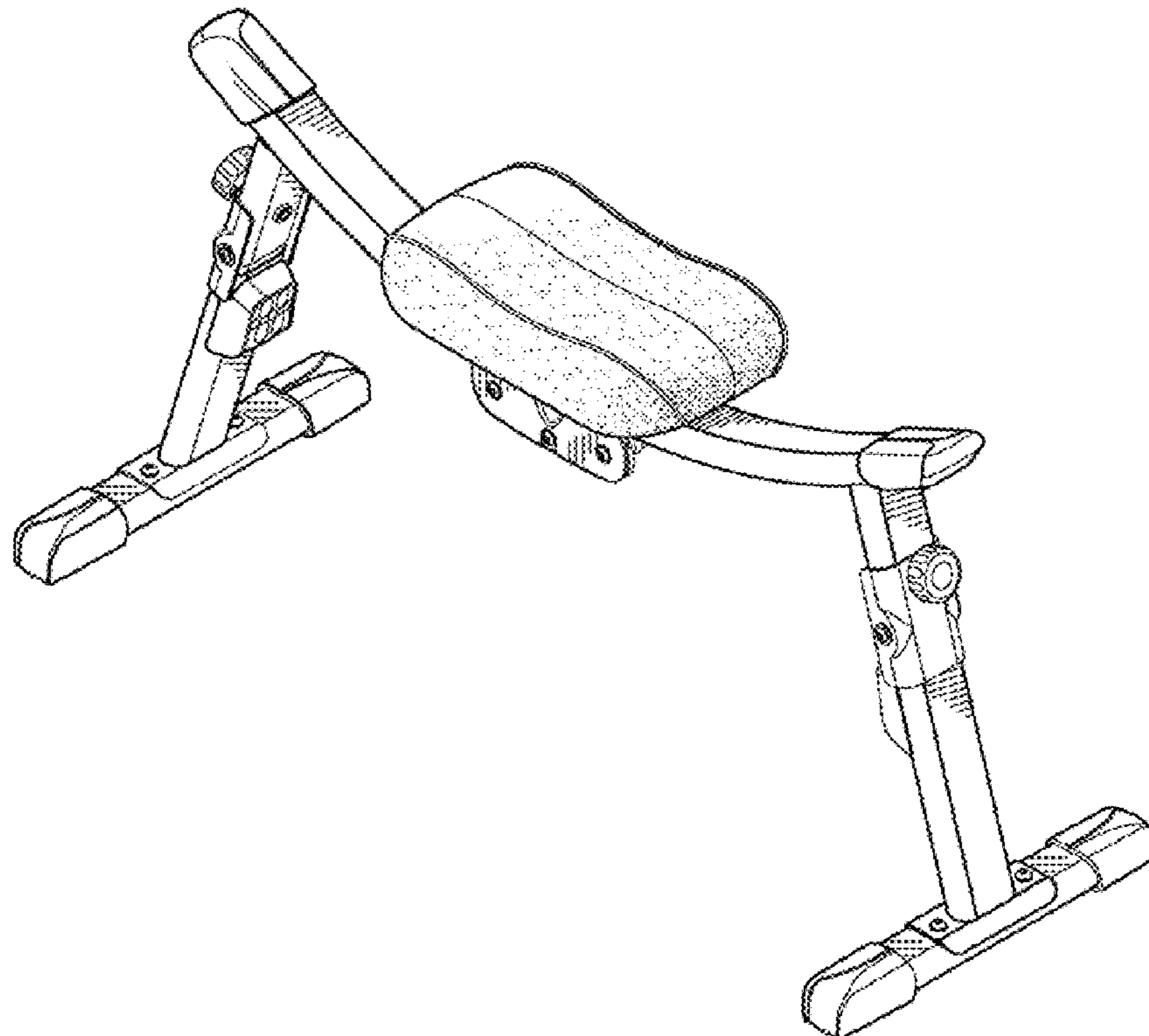
(57) **CLAIM**

The ornamental design for a swing chair, as shown.

DESCRIPTION

FIG. 1 is a perspective view of a swing chair showing my new design;
FIG. 2 is a front view thereof;
FIG. 3 is a rear view thereof;
FIG. 4 is a left side view thereof;
FIG. 5 is a right side view thereof;
FIG. 6 is a top view thereof;
FIG. 7 is a bottom view thereof; and,
FIGS. 8-11 are using state diagrams thereof.
FIGS. 1 through 7 show without using state diagrams for ease of illustration.

1 Claim, 6 Drawing Sheets



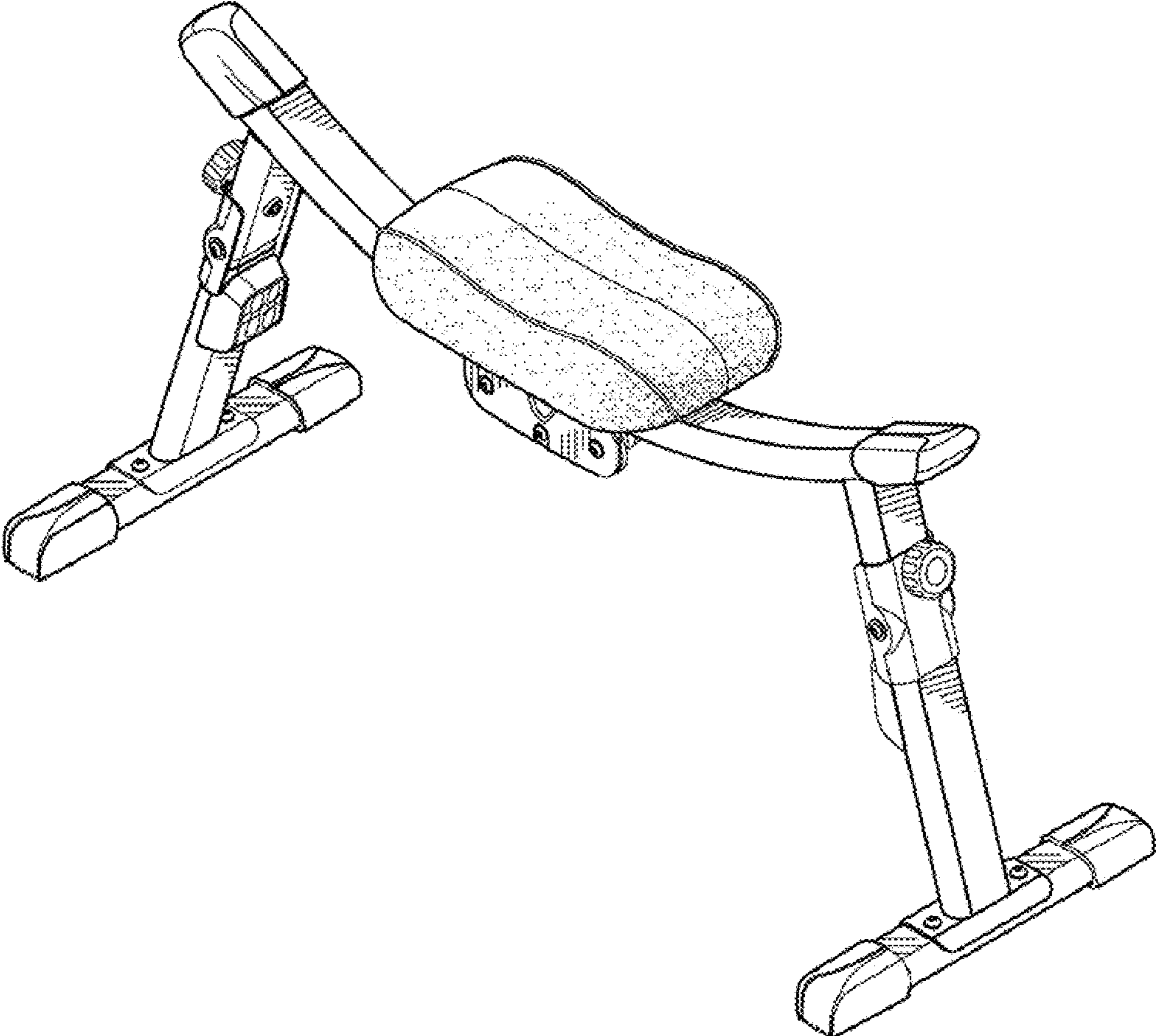


Fig. 1

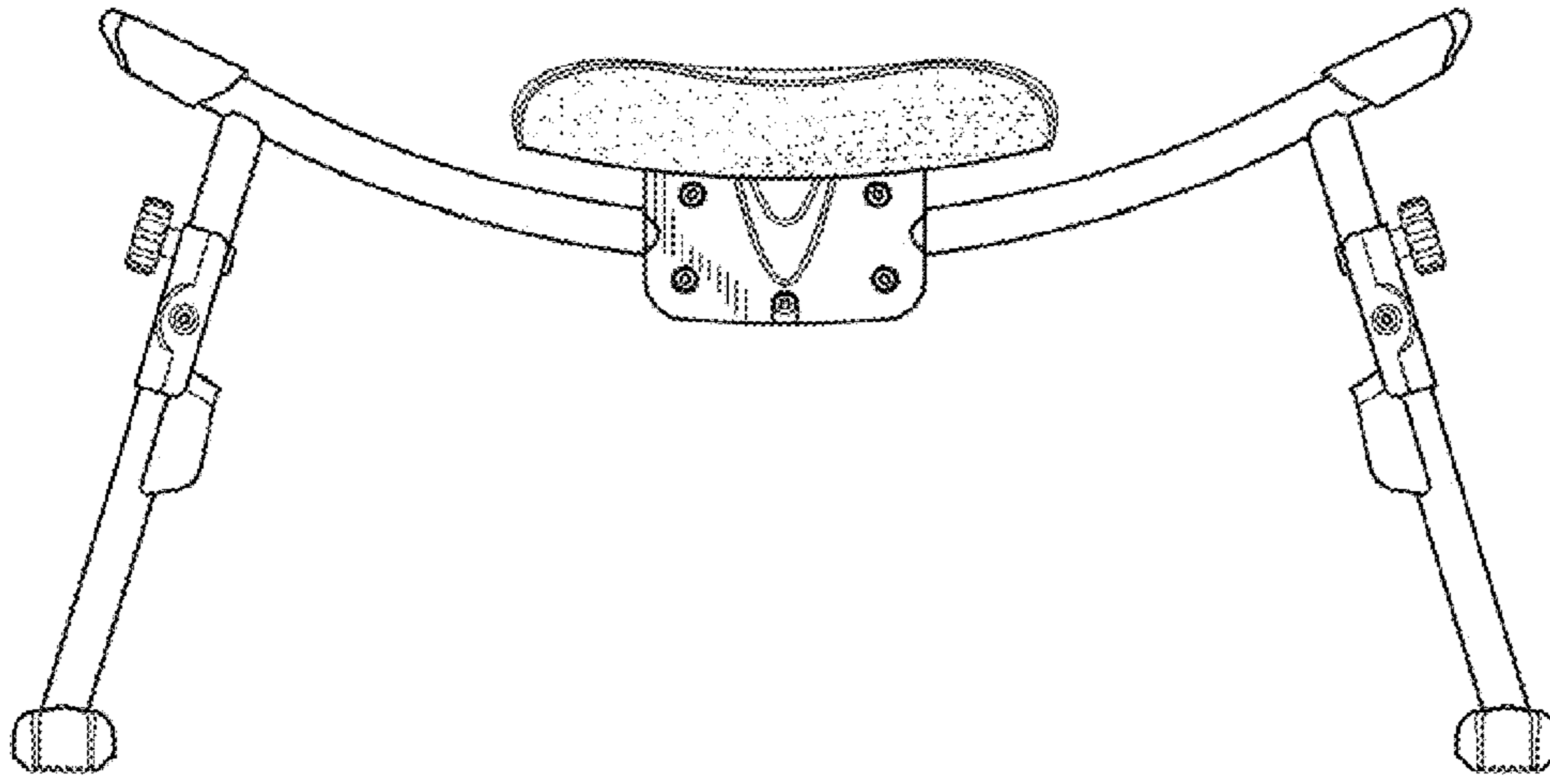


Fig. 2

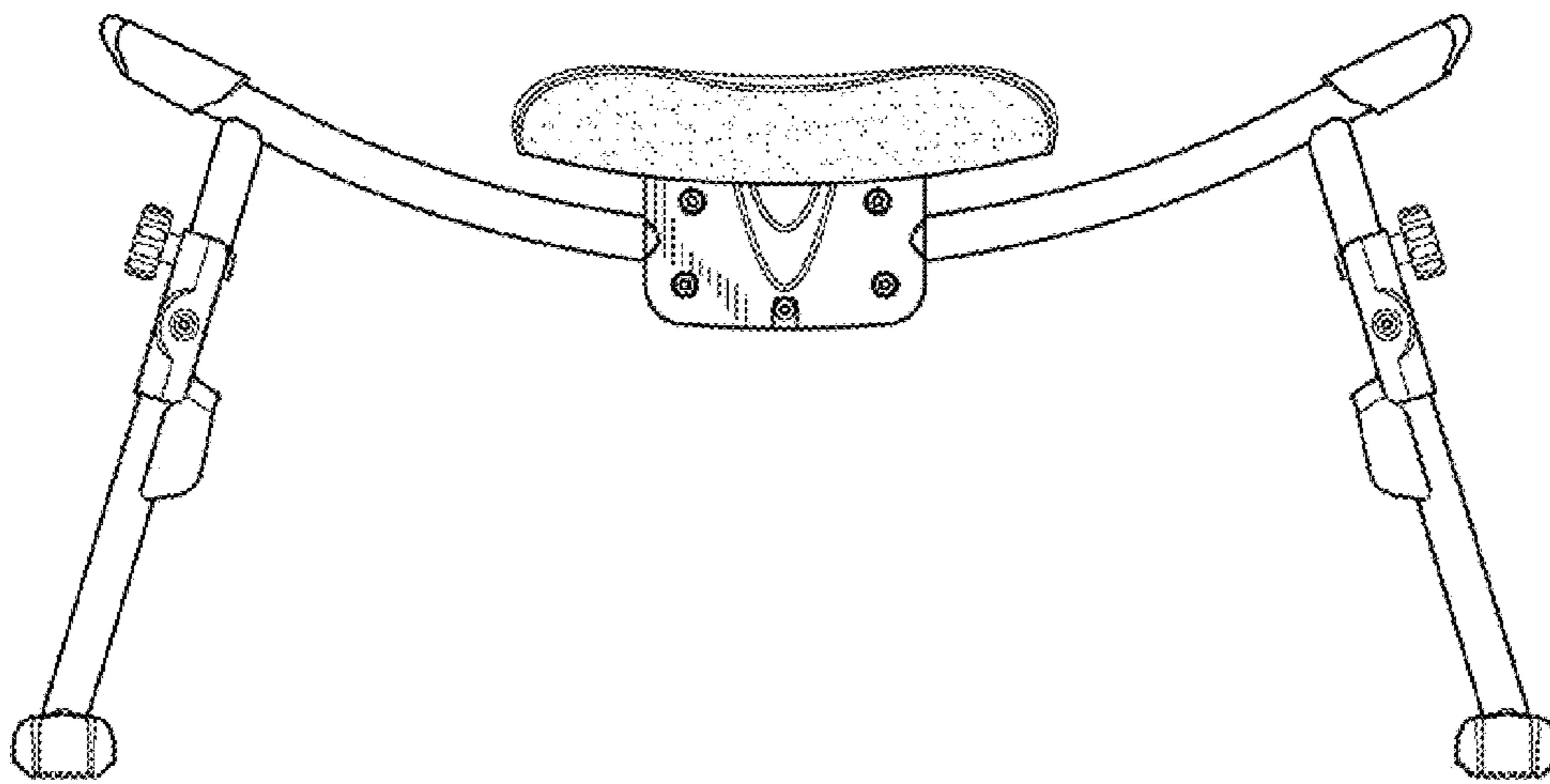


Fig. 3

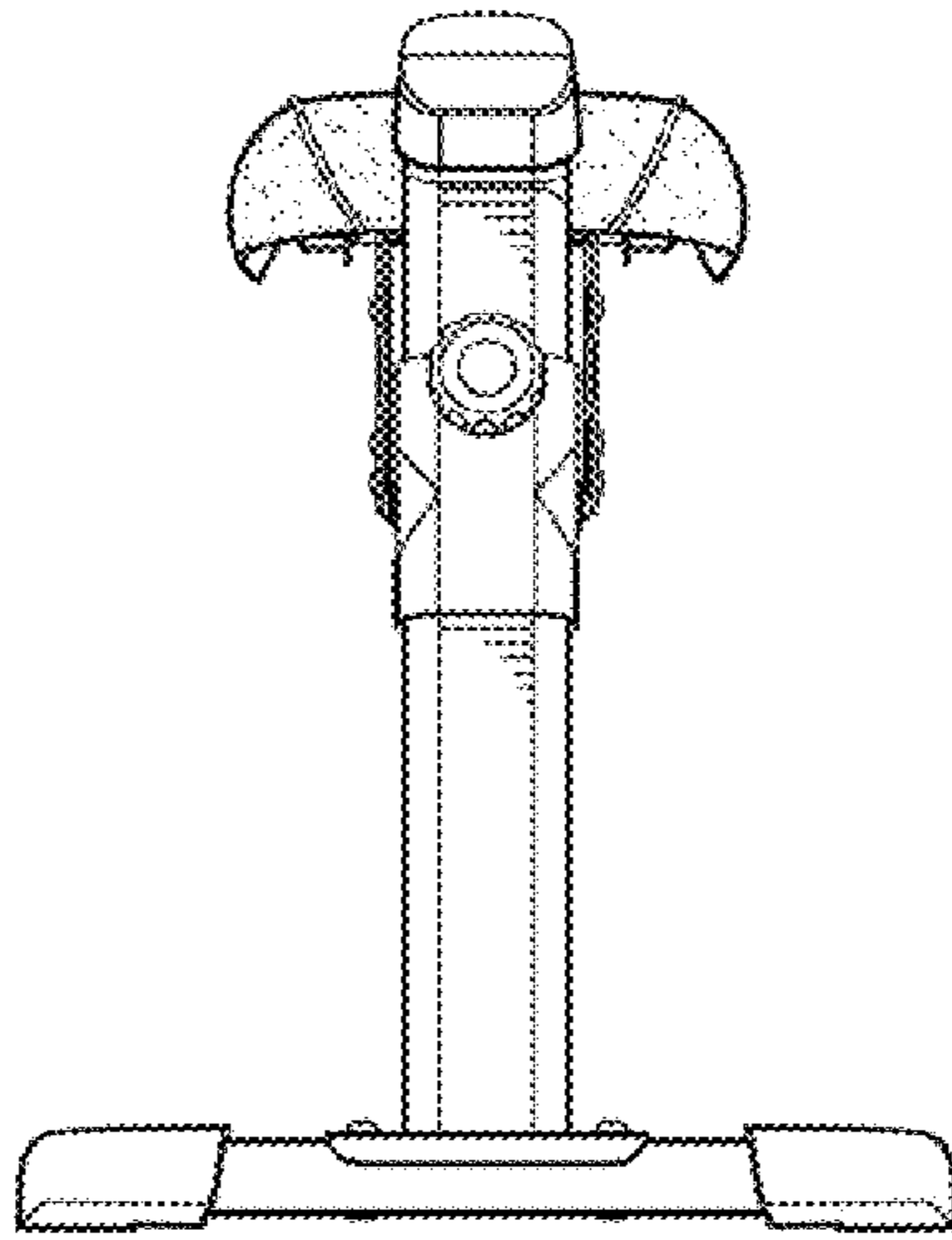


Fig. 4

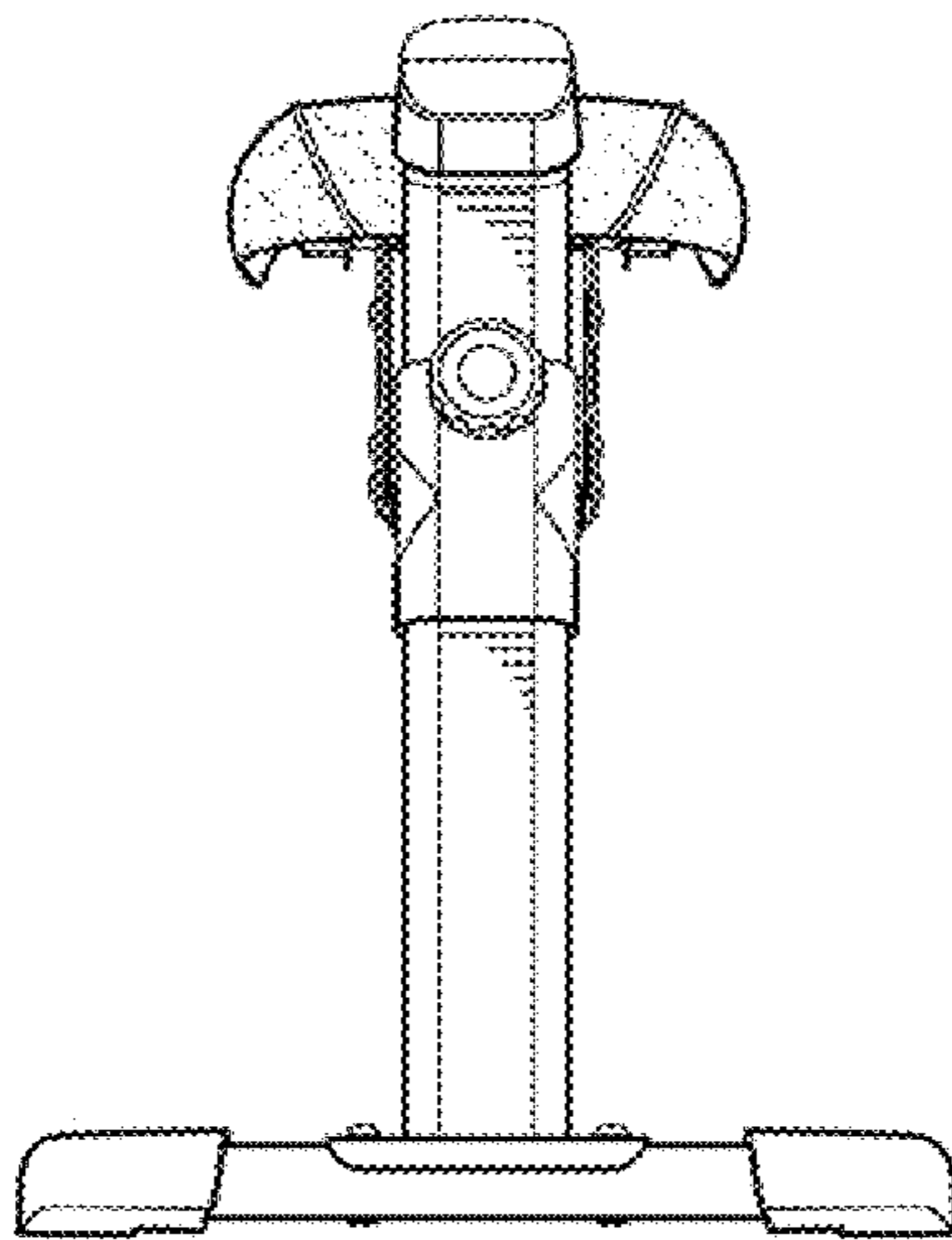


Fig. 5

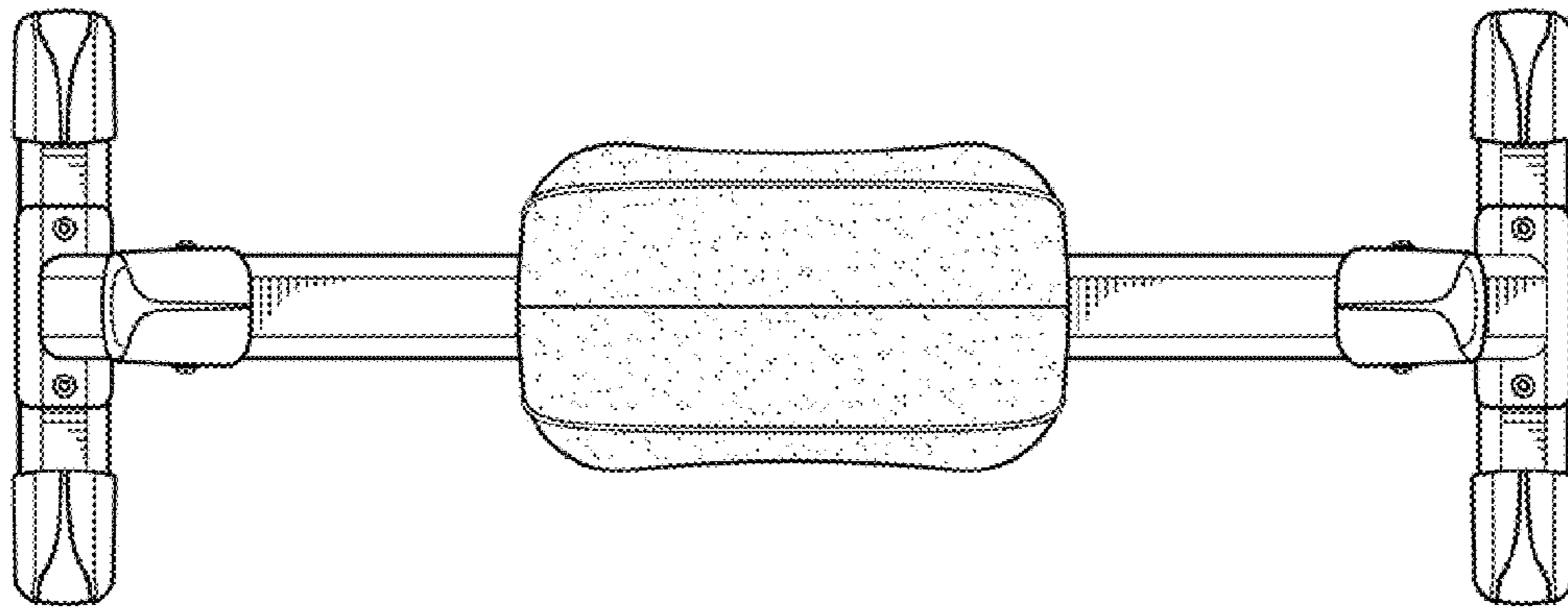


Fig. 6

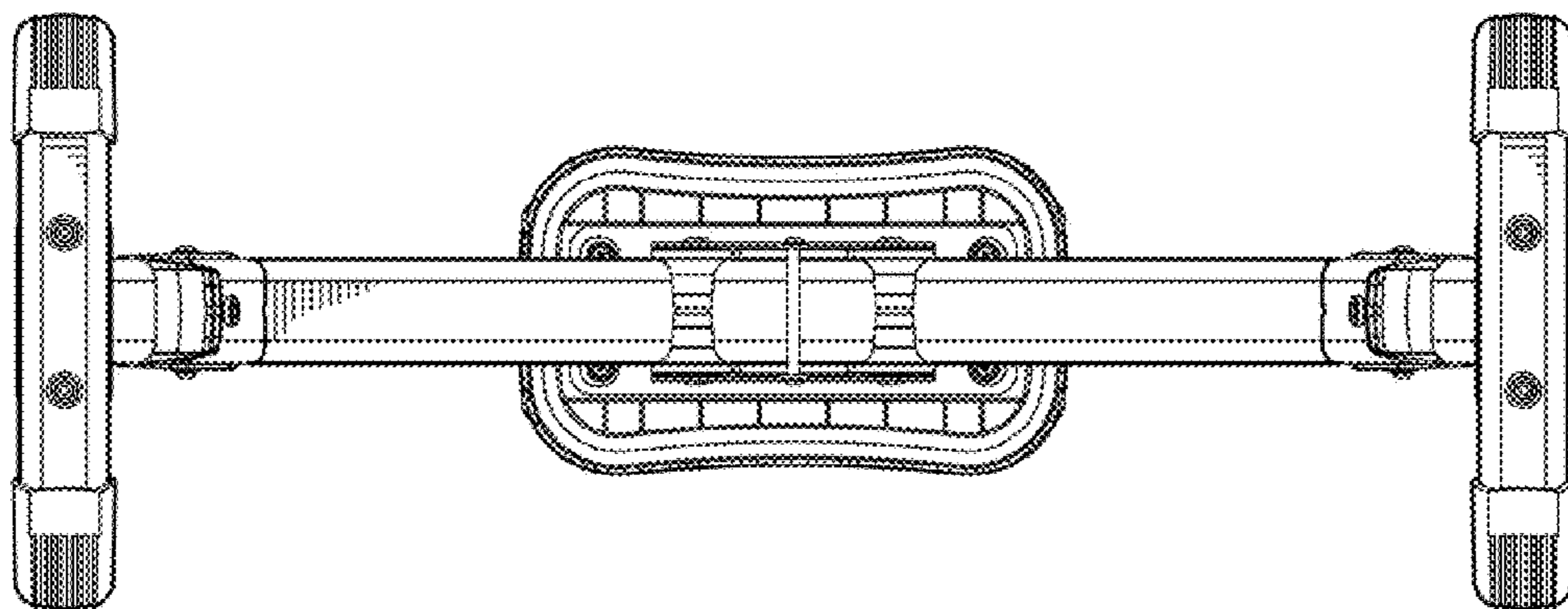


Fig. 7

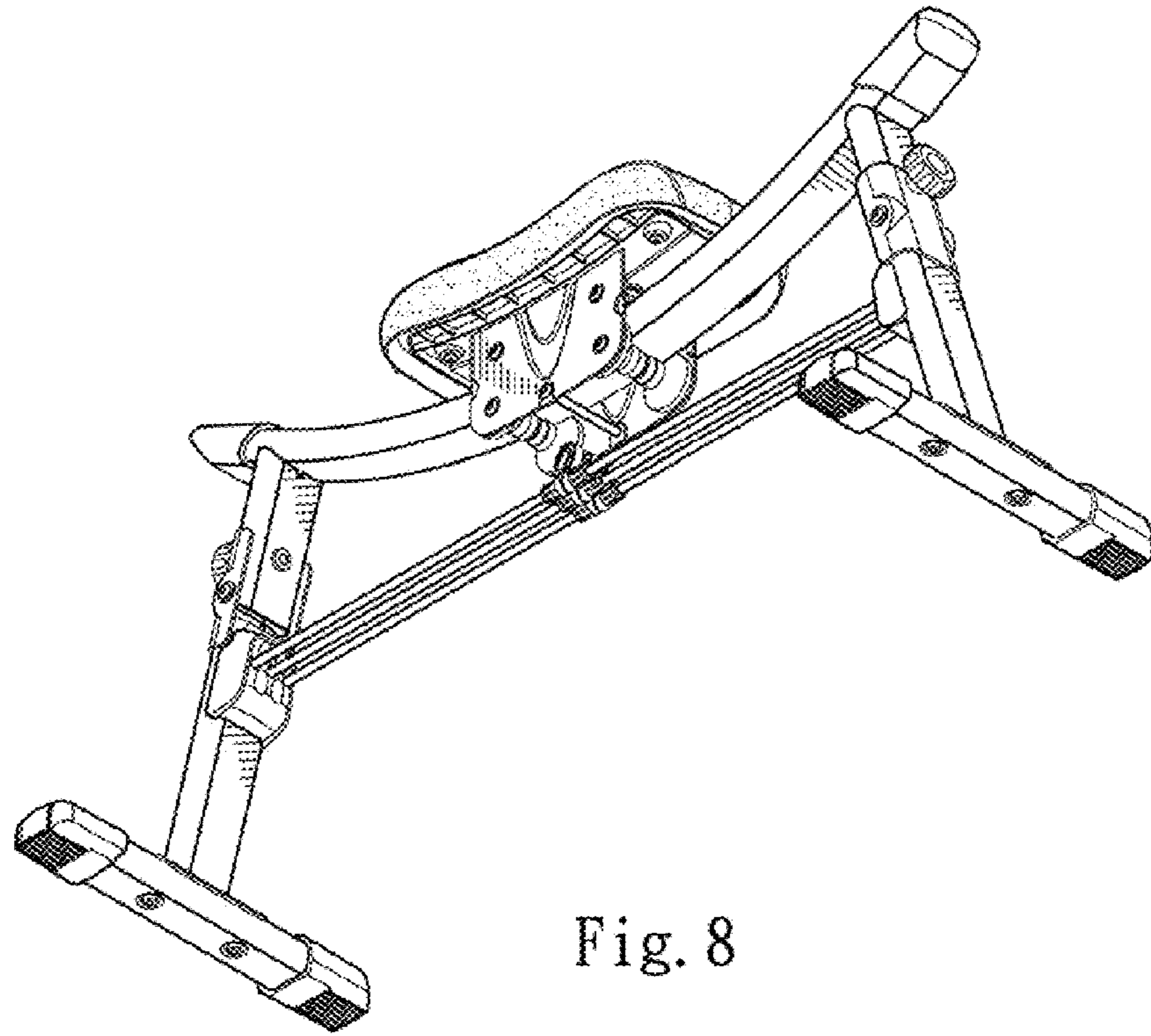


Fig. 8

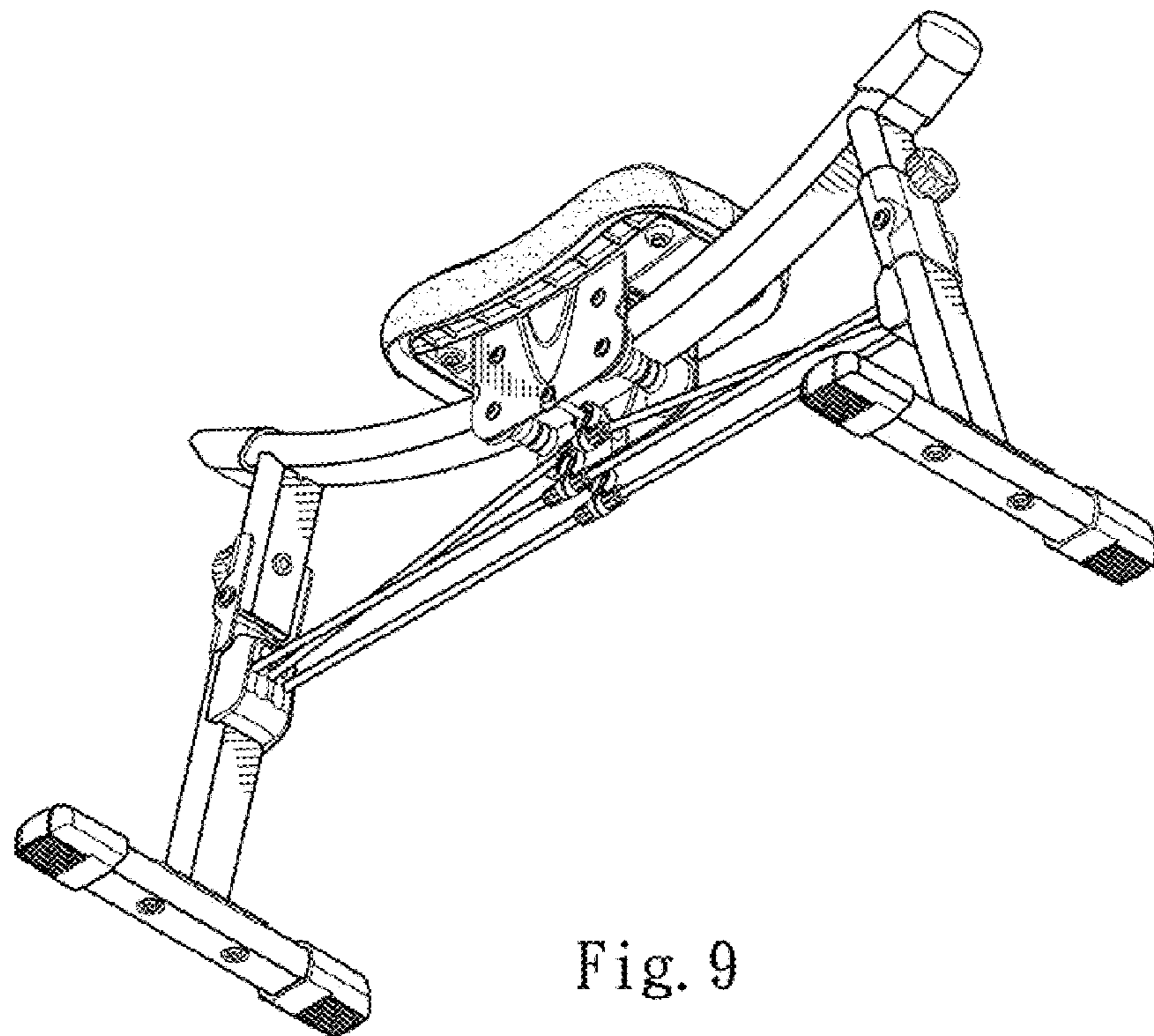


Fig. 9

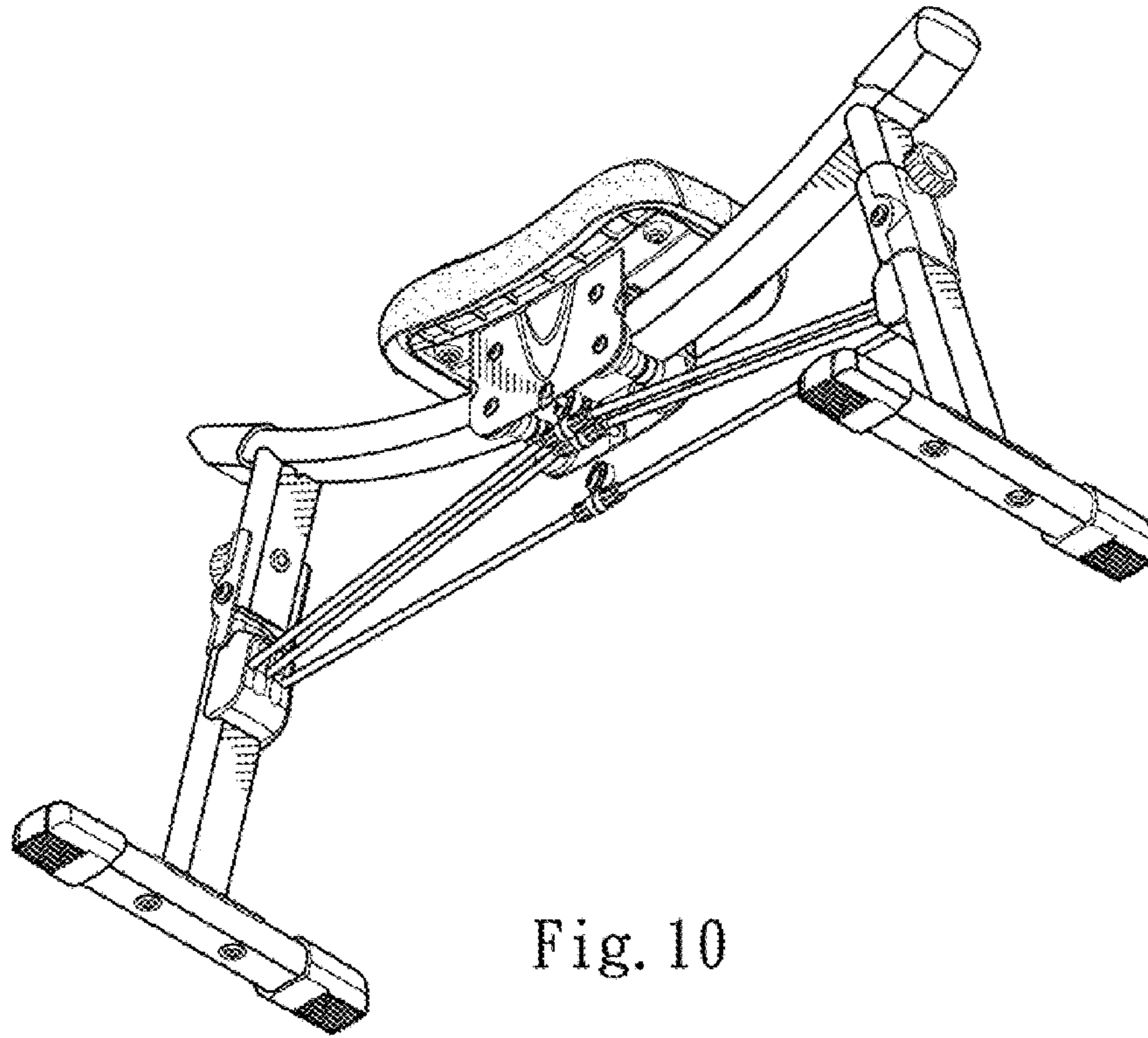


Fig. 10

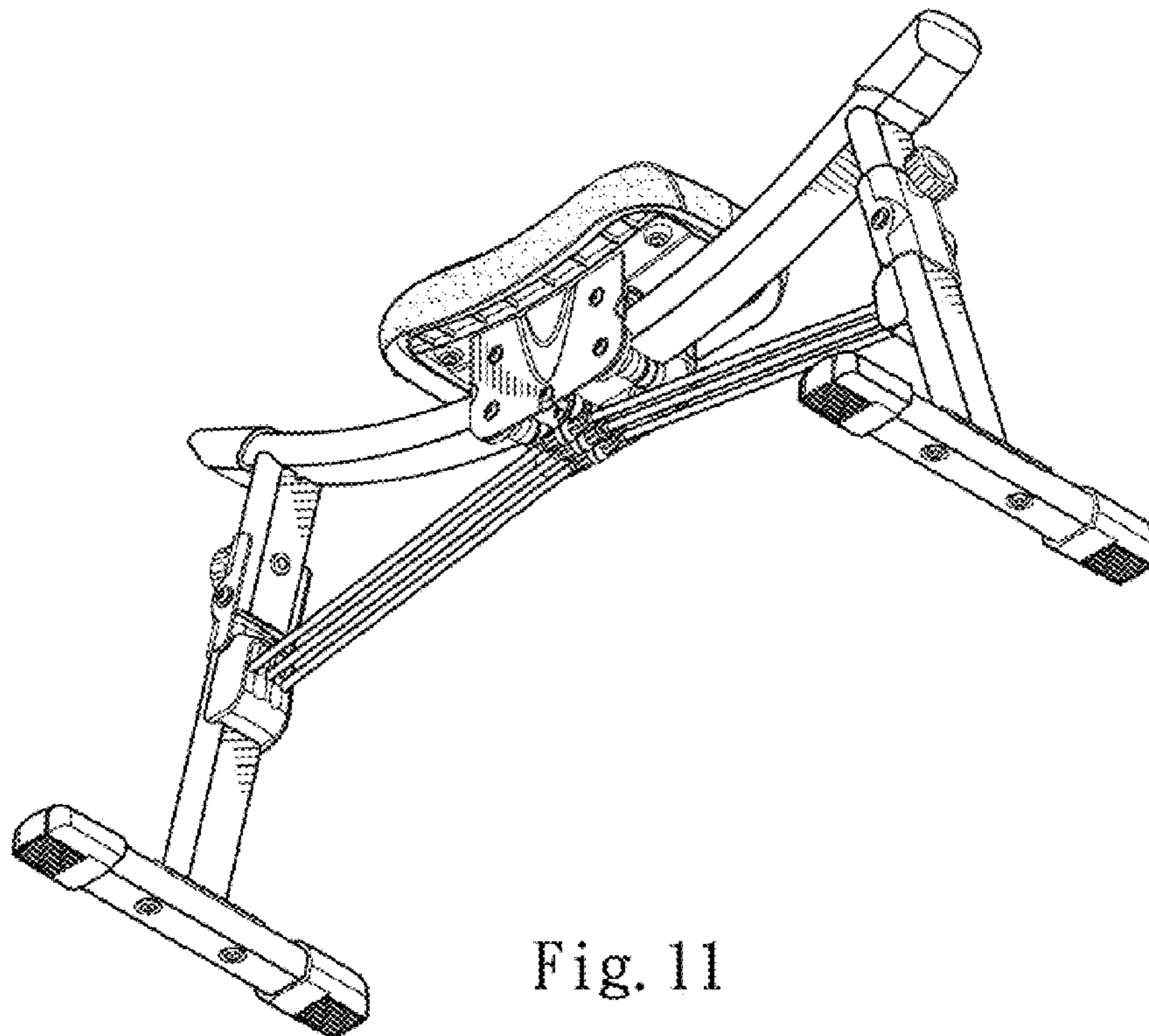


Fig. 11