



US00D648144S

(12) **United States Design Patent**  
**Oren et al.**

(10) **Patent No.:** **US D648,144 S**

(45) **Date of Patent:** **\*\* Nov. 8, 2011**

(54) **BABY BOUNCER SEAT**

(75) Inventors: **Shoshana Oren**, Herzeliya (IL); **Moran Lerenthal**, Tel Aviv (IL)

(73) Assignee: **Tiny Love Ltd.**, Tel Aviv (IL)

(\*\*) Term: **14 Years**

(21) Appl. No.: **29/347,558**

(22) Filed: **Mar. 3, 2010**

(30) **Foreign Application Priority Data**

Sep. 3, 2009 (IL) ..... 48278

(51) **LOC (9) Cl.** ..... **06-01**

(52) **U.S. Cl.** ..... **D6/344**

(58) **Field of Classification Search** ..... D6/333–334,  
D6/344, 347, 368, 374–375, 500–502; 297/184.1,  
297/184.13, 258.1, 259.3, 273, 275, 277,  
297/280–281; 472/118–119, 274  
See application file for complete search history.

(56) **References Cited**

**U.S. PATENT DOCUMENTS**

D282,791	S	*	3/1986	Lockett et al.	.....	D6/333
D321,599	S	*	11/1991	Takahashi et al.	.....	D6/333
5,187,826	A	*	2/1993	Mariol	.....	5/655
5,360,258	A	*	11/1994	Alivizatos	.....	297/440.11
5,468,047	A	*	11/1995	Goor et al.	.....	297/250.1
5,509,721	A	*	4/1996	Huang	.....	297/452.13
5,868,459	A	*	2/1999	Welsh, Jr.	.....	297/32
D440,412	S	*	4/2001	Huang	.....	D6/333
D468,544	S	*	1/2003	Myers	.....	D6/334
D480,884	S	*	10/2003	Kane et al.	.....	D6/348
D490,993	S	*	6/2004	Longenecker et al.	.....	D6/344
D491,736	S	*	6/2004	Kane et al.	.....	D6/348
D492,851	S	*	7/2004	Kane	.....	D6/333
D513,130	S	*	12/2005	Canna et al.	.....	D6/333
D518,967	S	*	4/2006	Canna et al.	.....	D6/333
D543,059	S	*	5/2007	Haut	.....	D6/500
D560,374	S	*	1/2008	Bergkvist	.....	D6/333
D601,358	S	*	10/2009	Yu	.....	D6/344
RE41,121	E	*	2/2010	Asbach et al.	.....	297/188.21
D611,257	S	*	3/2010	Jacobs et al.	.....	D6/333
D613,955	S	*	4/2010	Kho et al.	.....	D6/333
D619,817	S	*	7/2010	Gower et al.	.....	D6/339
D634,575	S	*	3/2011	Russo	.....	D6/611

D637,828 S \* 5/2011 Horn et al. .... D6/344

\* cited by examiner

*Primary Examiner* — Elizabeth Albert

*Assistant Examiner* — Kelley Donnelly

(74) *Attorney, Agent, or Firm* — The Nath Law Group;  
Susanne M. Hopkins; William L. Klima

(57) **CLAIM**

The ornamental design for a baby bouncer seat, as shown and described.

**DESCRIPTION**

FIG. 1 is a front perspective view of a baby bouncer seat, shown in a closed position;

FIG. 2 is a front view of the baby bouncer seat shown in FIG. 1;

FIG. 3 is a rear view of the baby bouncer seat shown in FIG. 1;

FIG. 4 is a left side view of the baby bouncer seat shown in FIG. 1;

FIG. 5 is a right side view of the baby bouncer seat shown in FIG. 1;

FIG. 6 is a top view of the baby bouncer seat shown in FIG. 1;

FIG. 7 is a front perspective view of the baby bouncer seat, shown in an open position;

FIG. 8 is a front view of the baby bouncer seat shown in FIG. 7;

FIG. 9 is a rear view of the baby bouncer seat shown in FIG. 7;

FIG. 10 is a left side view of the baby bouncer seat shown in FIG. 7;

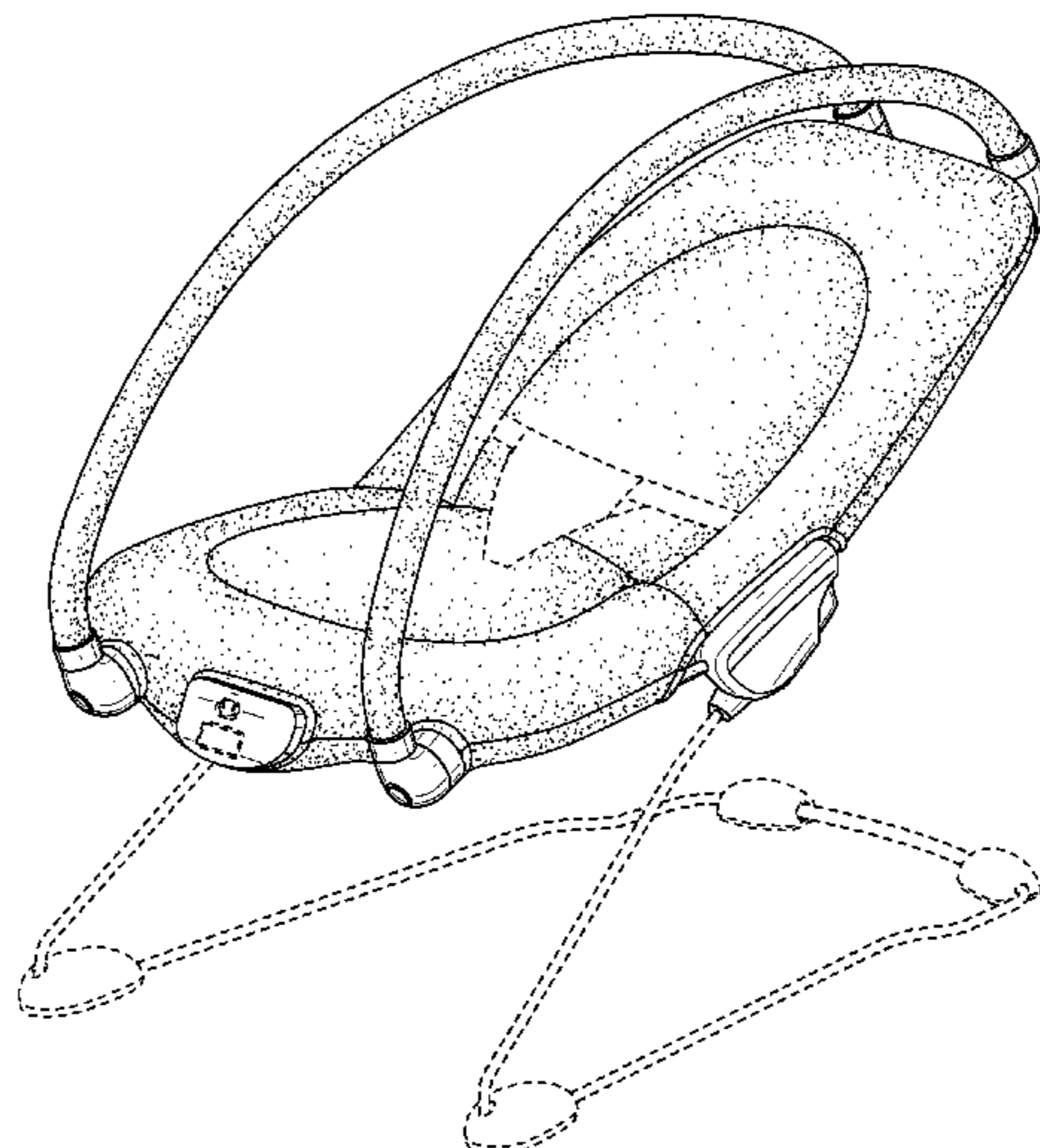
FIG. 11 is a right side view of the baby Bouncer Seat shown in FIG. 7; and,

FIG. 12 is a top view of the baby bouncer seat shown in FIG. 7.

The broken lines showing are for the purpose of illustrating the environment of the design only and form no part of the claimed design.

Stippling represents surface material.

**1 Claim, 12 Drawing Sheets**



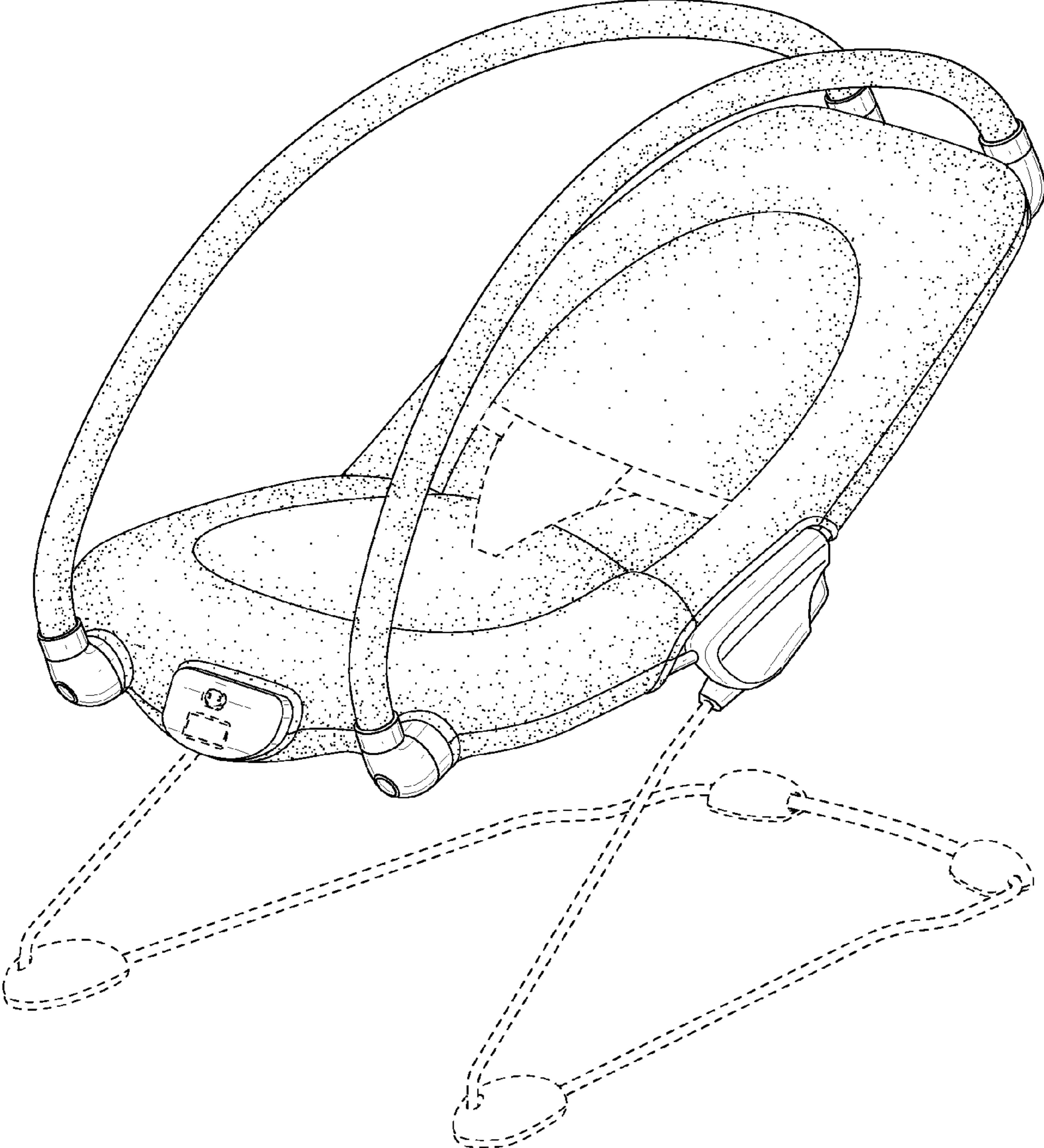


FIG. 1

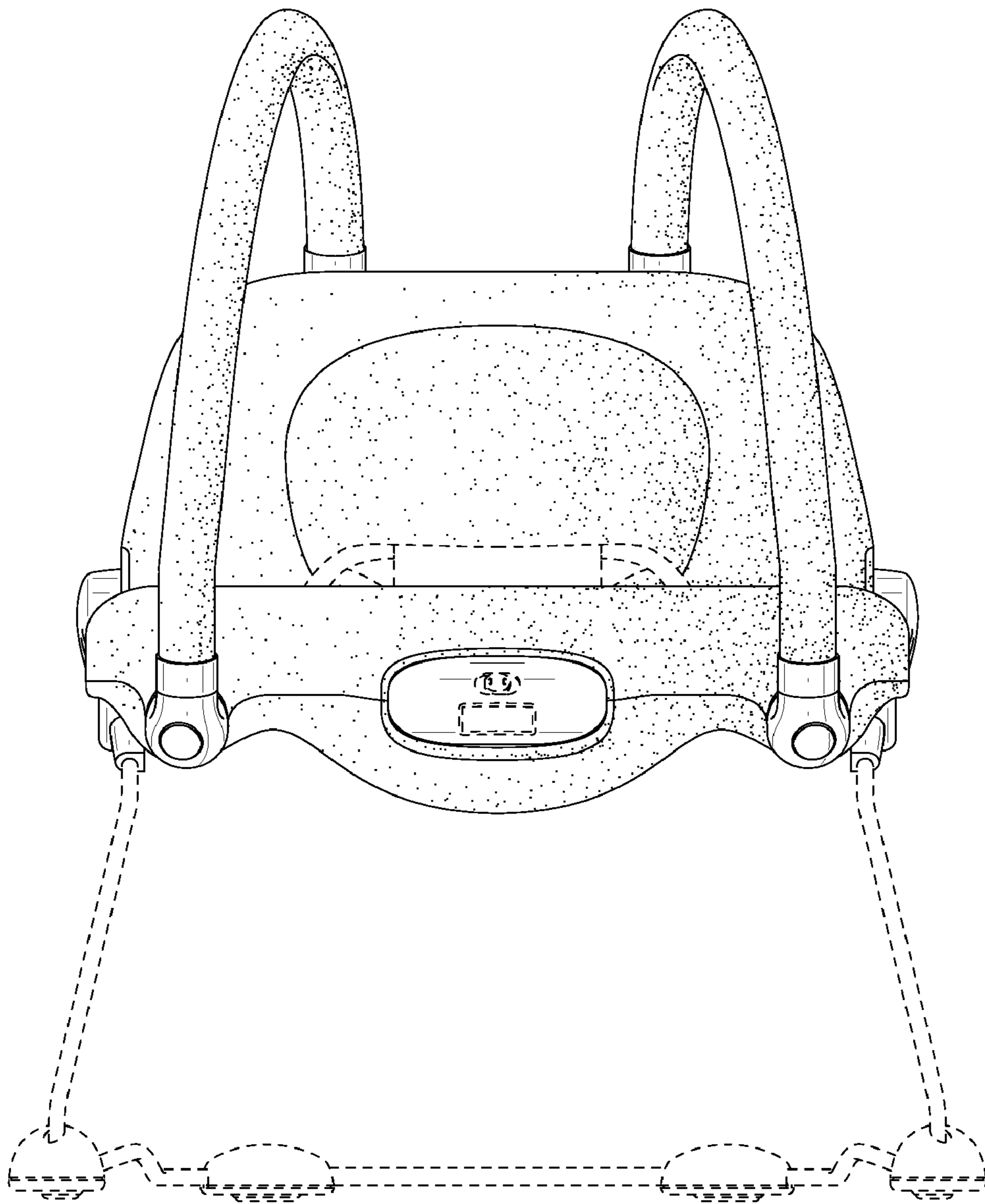


FIG. 2

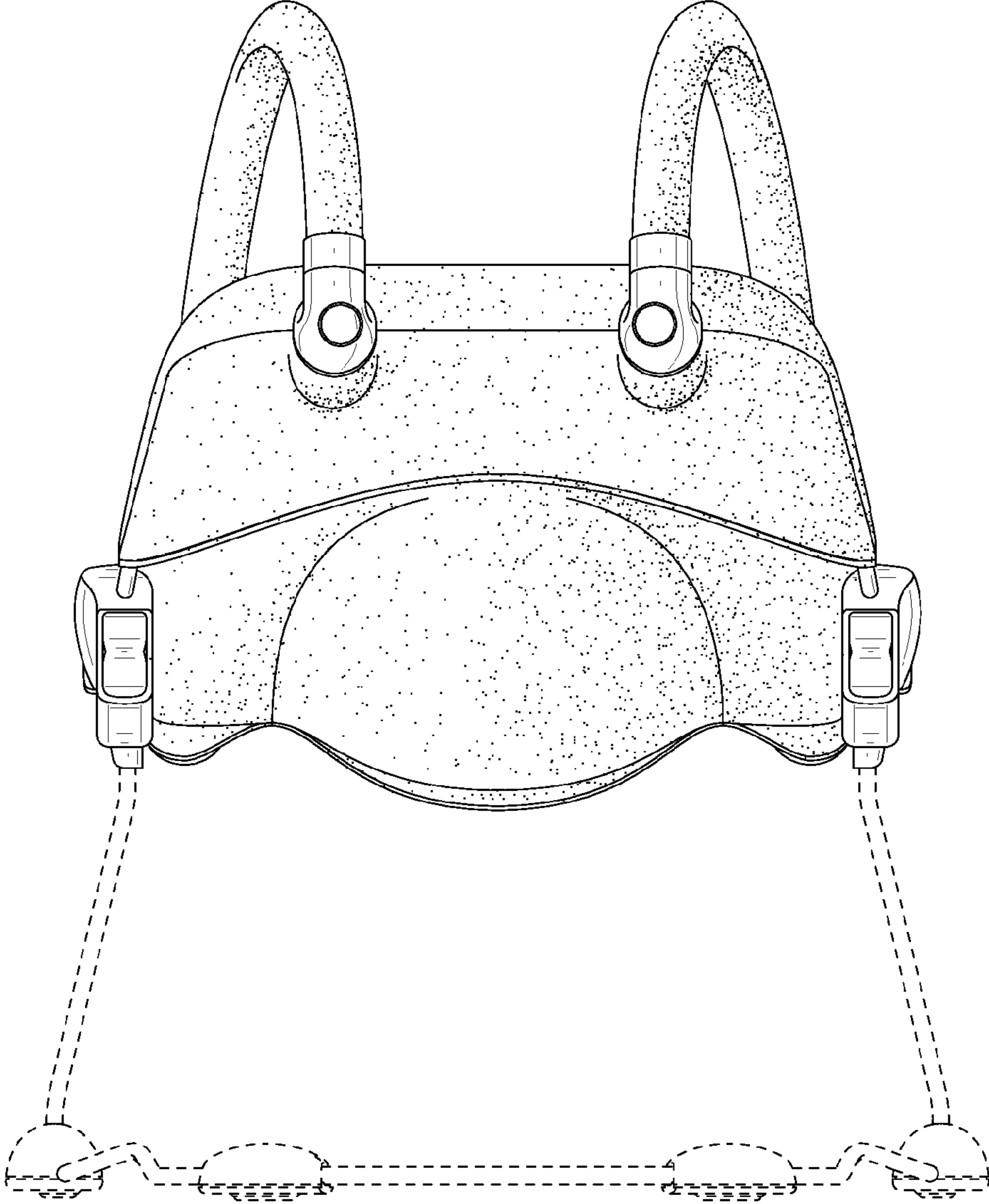


FIG. 3

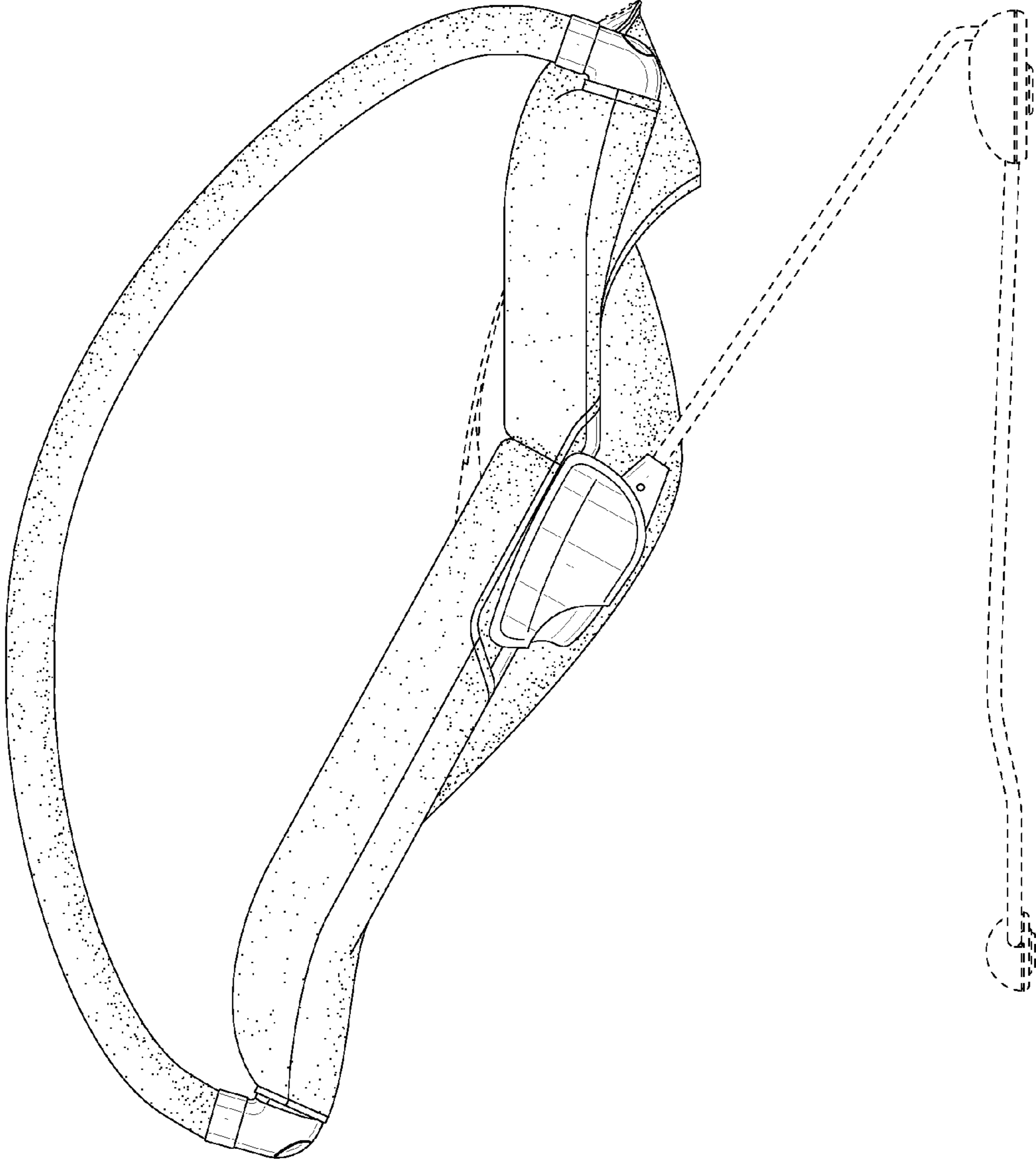


FIG. 4

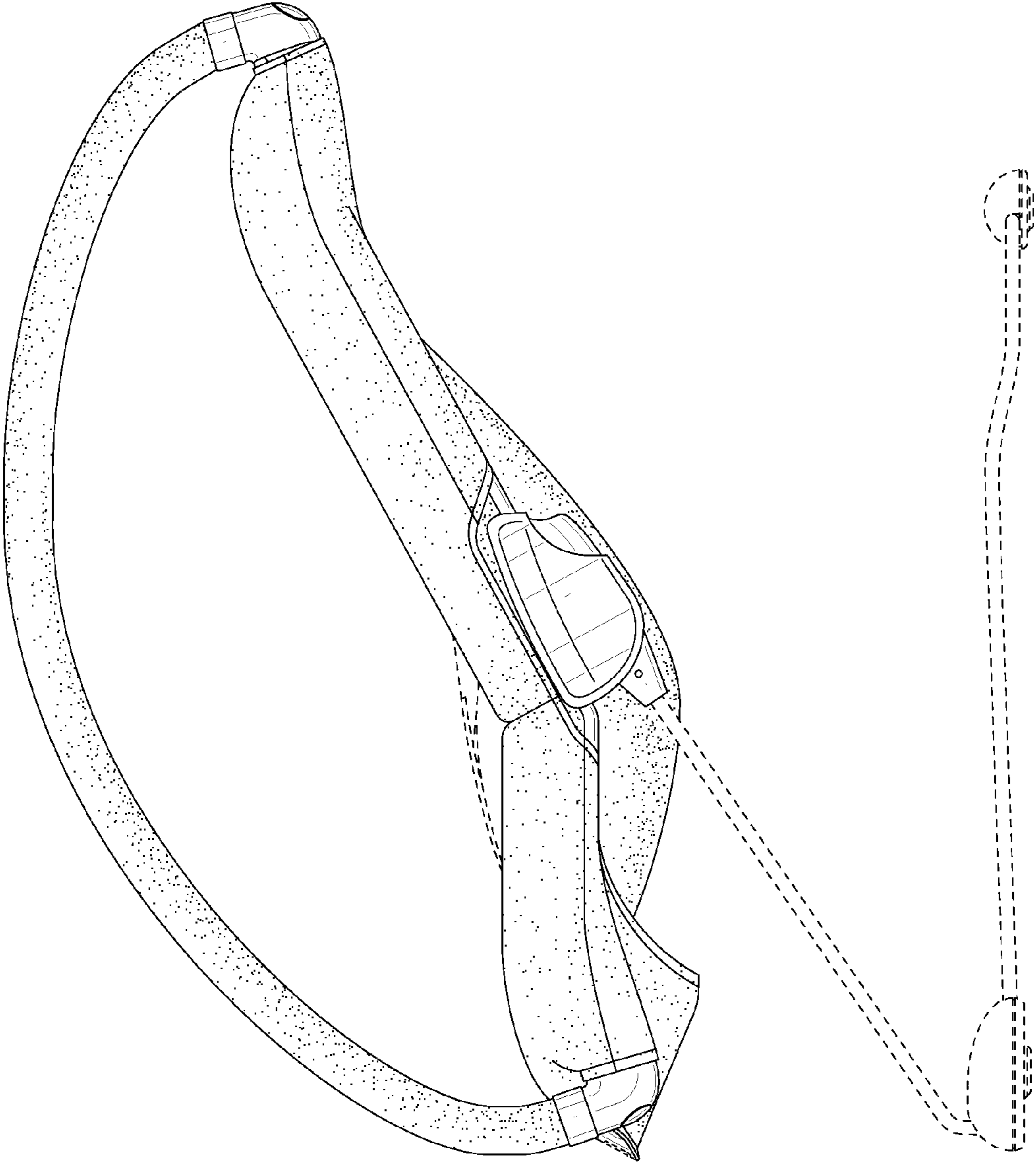


FIG. 5

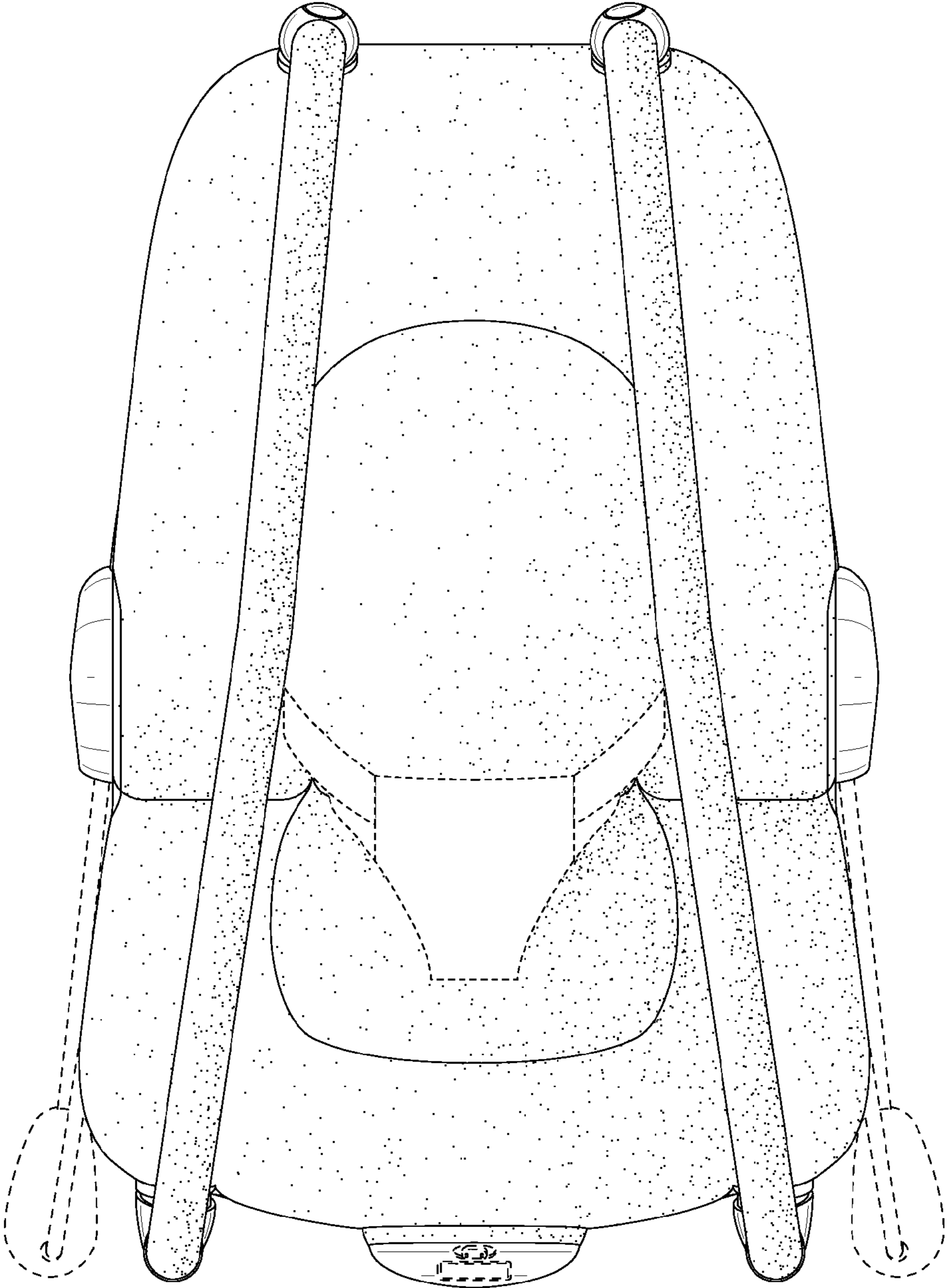


FIG. 6

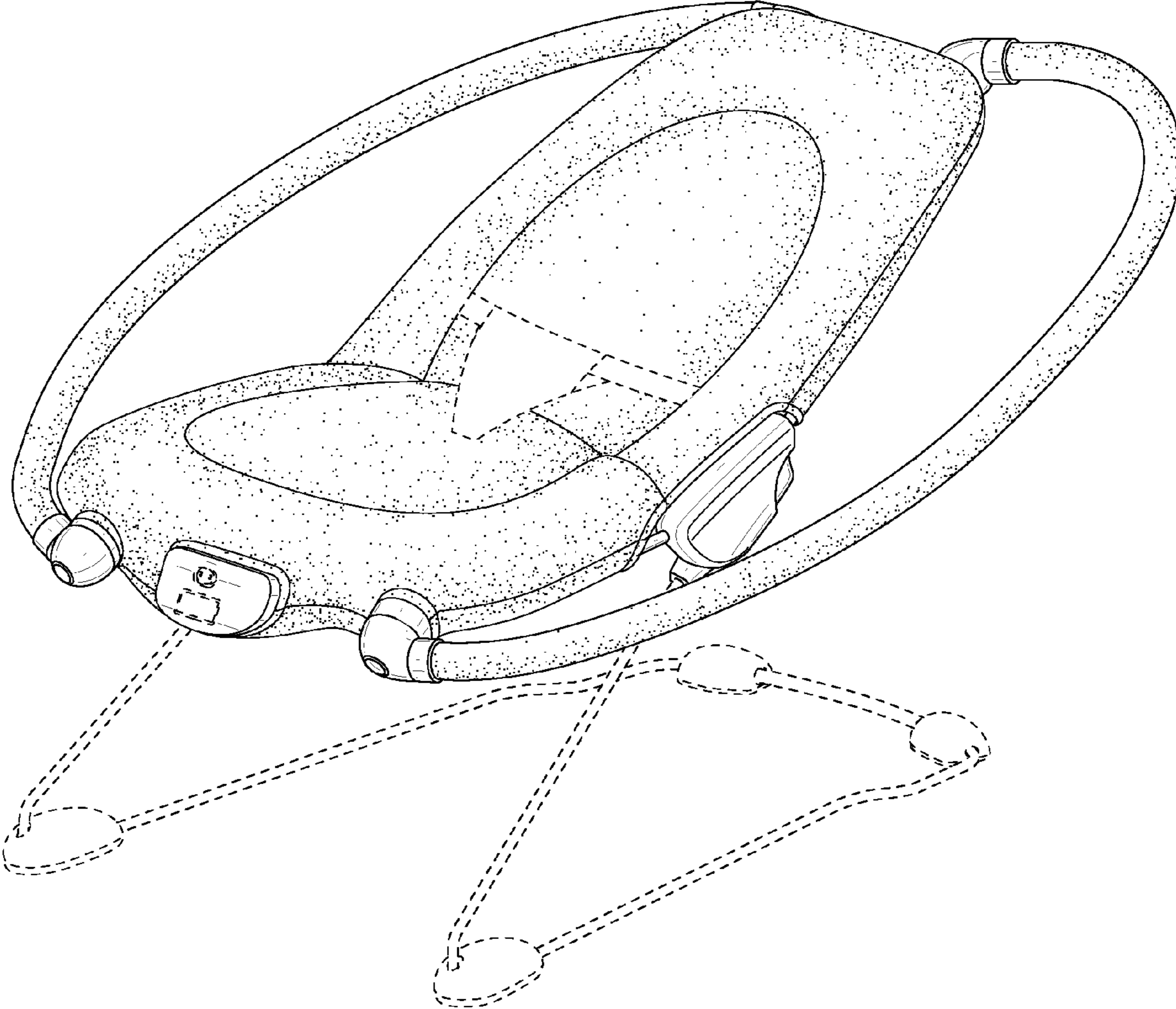


FIG. 7



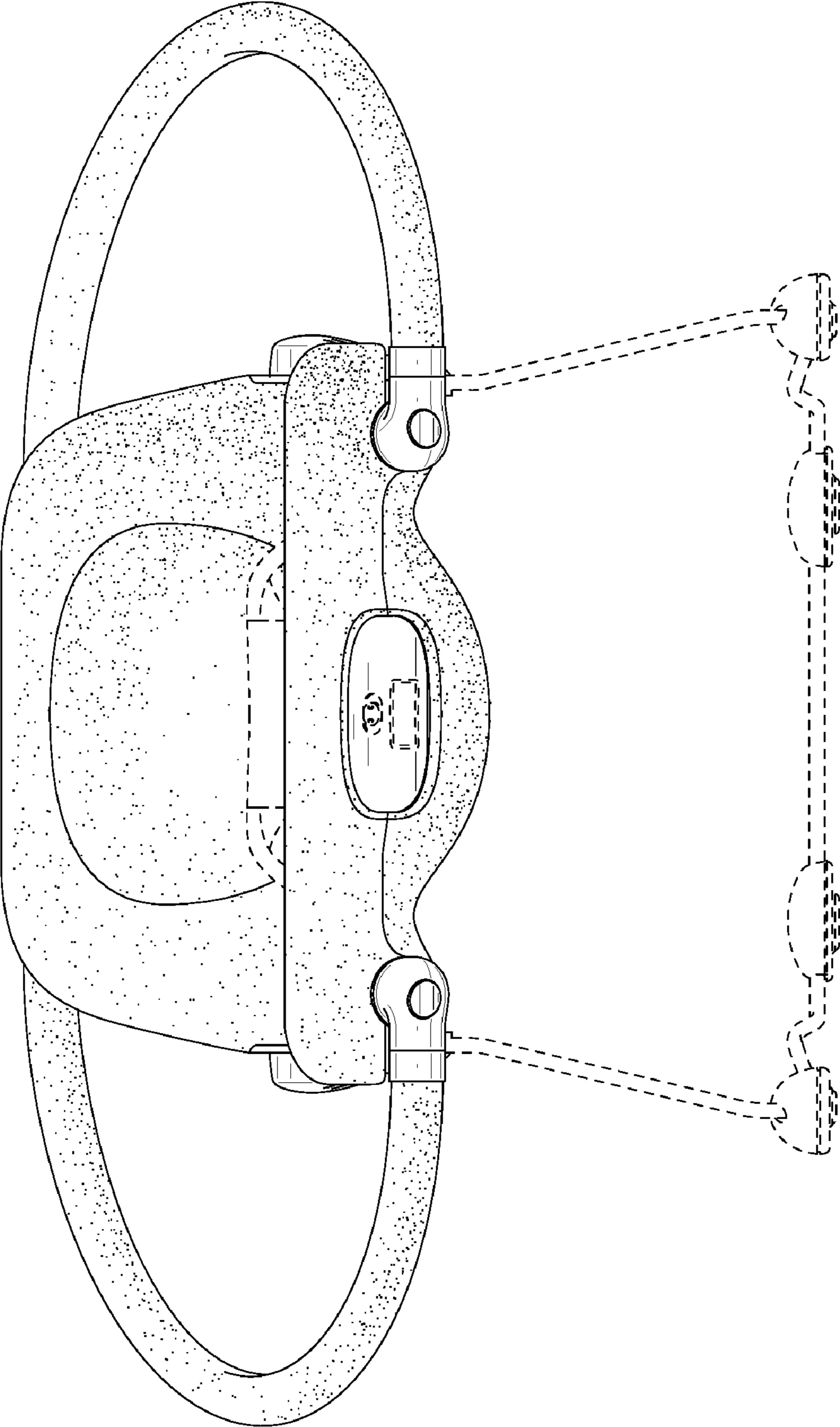


FIG. 8

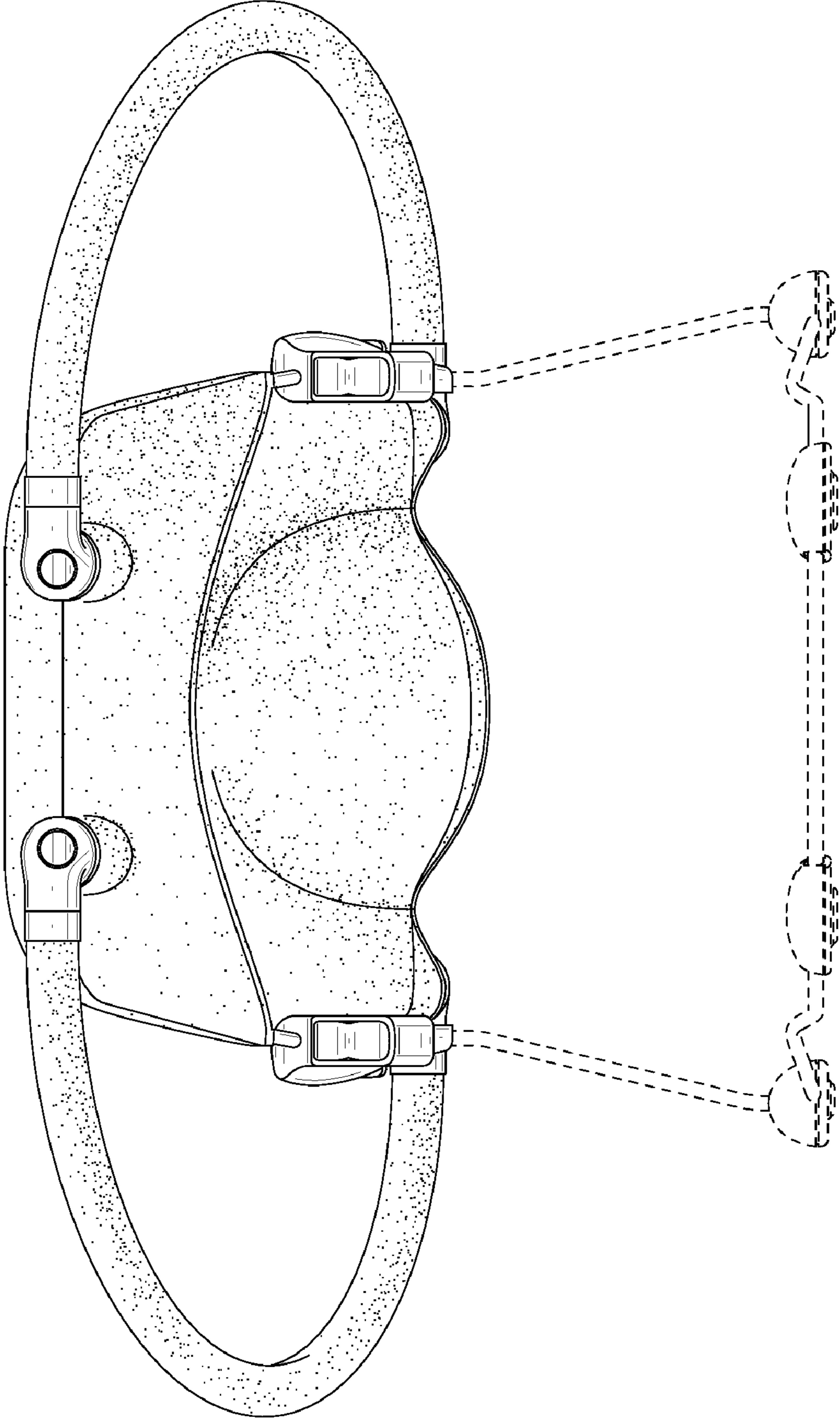


FIG. 9

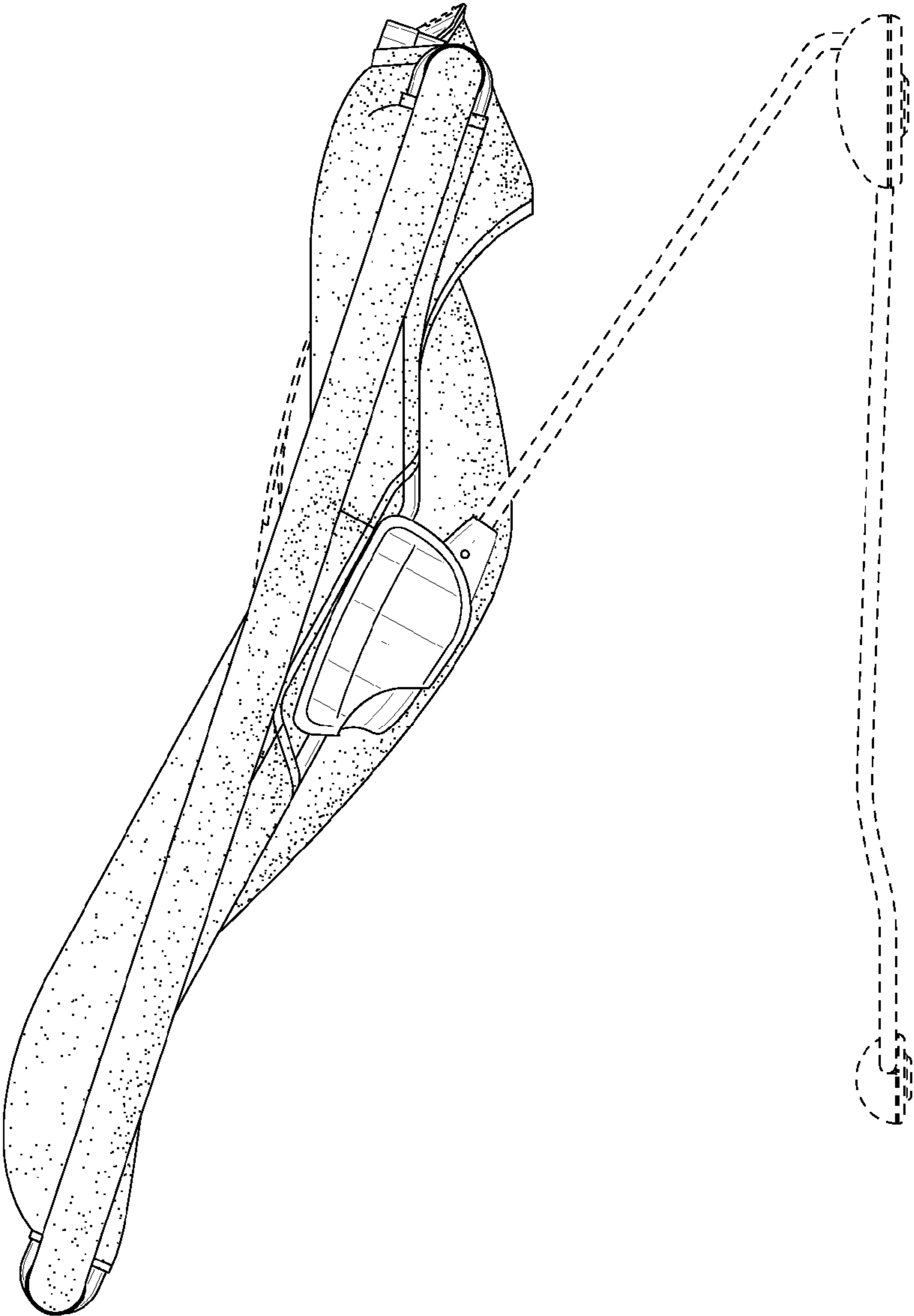


FIG. 10

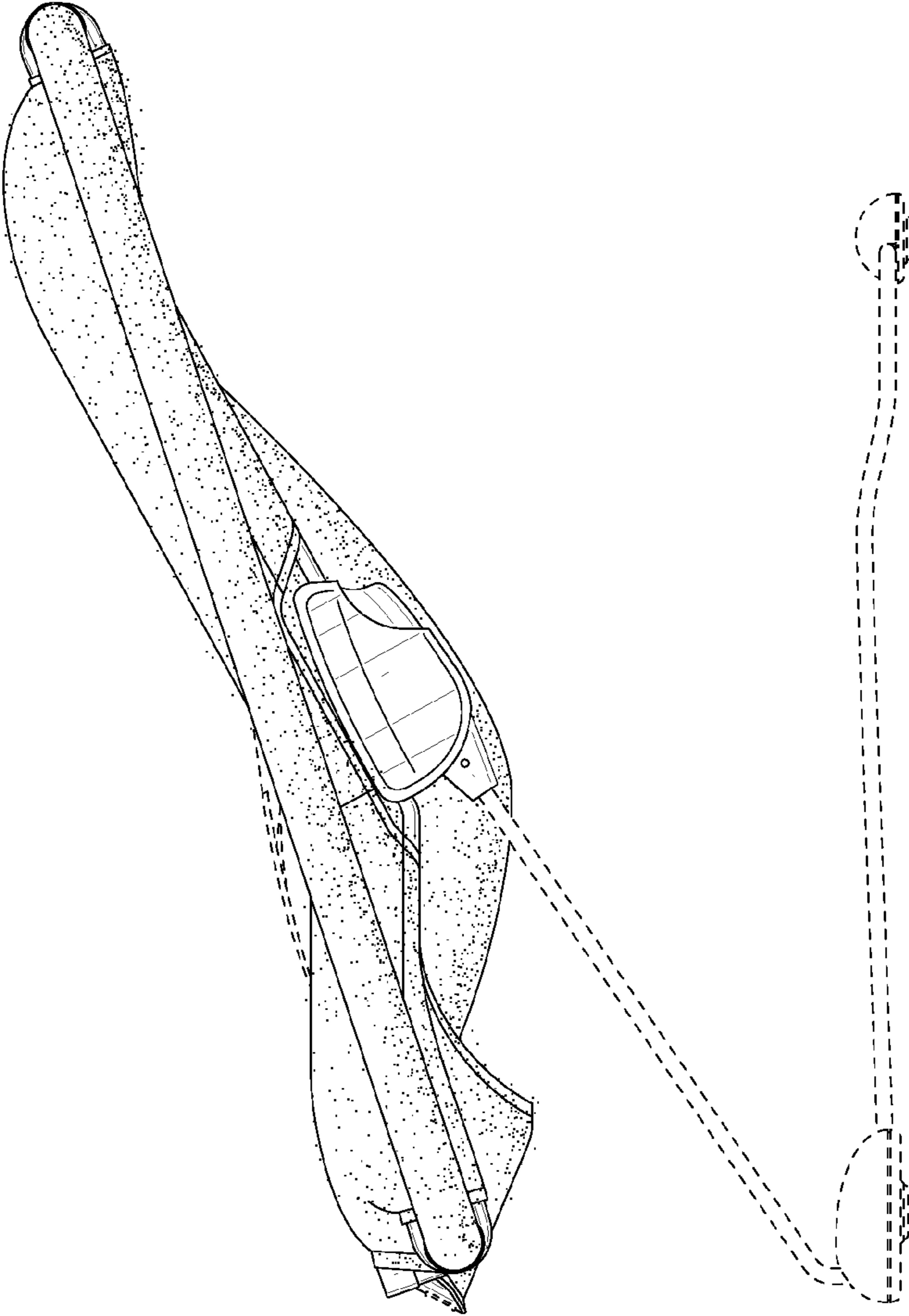


FIG. 11

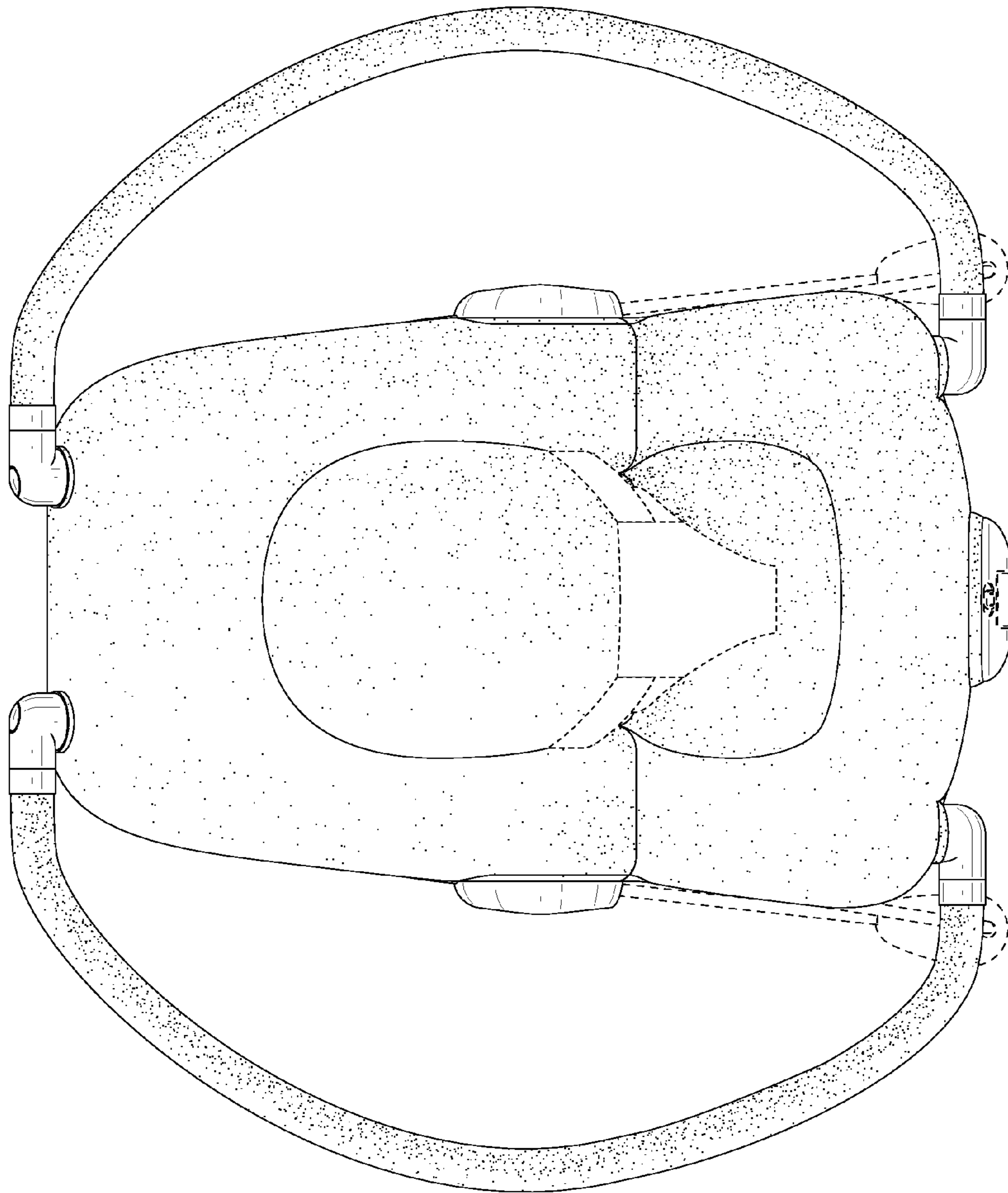


FIG. 12