



US00D648142S

(12) **United States Design Patent**  
**Ferraro et al.**

(10) **Patent No.:** **US D648,142 S**  
(45) **Date of Patent:** **\*\* Nov. 8, 2011**

(54) **HANGER PORTION**

(75) Inventors: **Brandon R. Ferraro**, St. Louis Park, MN (US); **Keith C. Cedro**, Clifton, NJ (US); **Jake Strassberger**, South Plainfield, NJ (US)

(73) Assignee: **Target Brands, Inc.**, Minneapolis, MN (US)

(\*\*) Term: **14 Years**

(21) Appl. No.: **29/346,559**

(22) Filed: **Nov. 2, 2009**

(51) **LOC (9) Cl.** ..... **06-08**

(52) **U.S. Cl.** ..... **D6/328**

(58) **Field of Classification Search** ..... D6/315-328, D6/513; 211/113, 119; 223/83, 87, 88, 94, 223/89, 96.09, DIG. 1; 206/276, 287.1, 289, 206/806

See application file for complete search history.

(56) **References Cited**

**U.S. PATENT DOCUMENTS**

D118,984 S	2/1940	Paterson	
2,320,018 A	5/1943	Ullman	
D140,337 S	2/1945	Hill	
D140,338 S	2/1945	Hill	
D153,032 S	3/1949	Porter	
3,087,605 A	4/1963	Kester	
3,172,531 A	3/1965	Shillman	
3,191,770 A	6/1965	Zuckerman	
3,435,999 A *	4/1969	Mantell	223/91
D215,899 S *	11/1969	Soderberg	D6/315
3,477,623 A	11/1969	Milette et al.	
3,557,944 A *	1/1971	Crane	206/287
3,680,746 A *	8/1972	Seckelmann	223/88
3,710,996 A	1/1973	Smilow et al.	
3,841,478 A	10/1974	Wells et al.	
3,862,687 A	1/1975	Pirman	
3,963,154 A	6/1976	Schwartz et al.	
4,177,908 A	12/1979	Batts et al.	

4,198,772 A	4/1980	Furutu	
D272,502 S	2/1984	Batts et al.	
4,474,316 A *	10/1984	Philibert	223/88
4,526,306 A	7/1985	Zuckerman et al.	
D282,982 S	3/1986	Kodet	
D301,942 S	7/1989	Talbot-Titley	
D301,943 S	7/1989	Wilson	
D303,325 S	9/1989	Marshall	

(Continued)

**FOREIGN PATENT DOCUMENTS**

WO 89/02238 3/1989

(Continued)

**OTHER PUBLICATIONS**

Photographs of hangers publicly used in retail stores, 1 page.

(Continued)

*Primary Examiner* — Prabhakar Deshmukh

(74) *Attorney, Agent, or Firm* — Griffiths & Seaton PLLC

(57) **CLAIM**

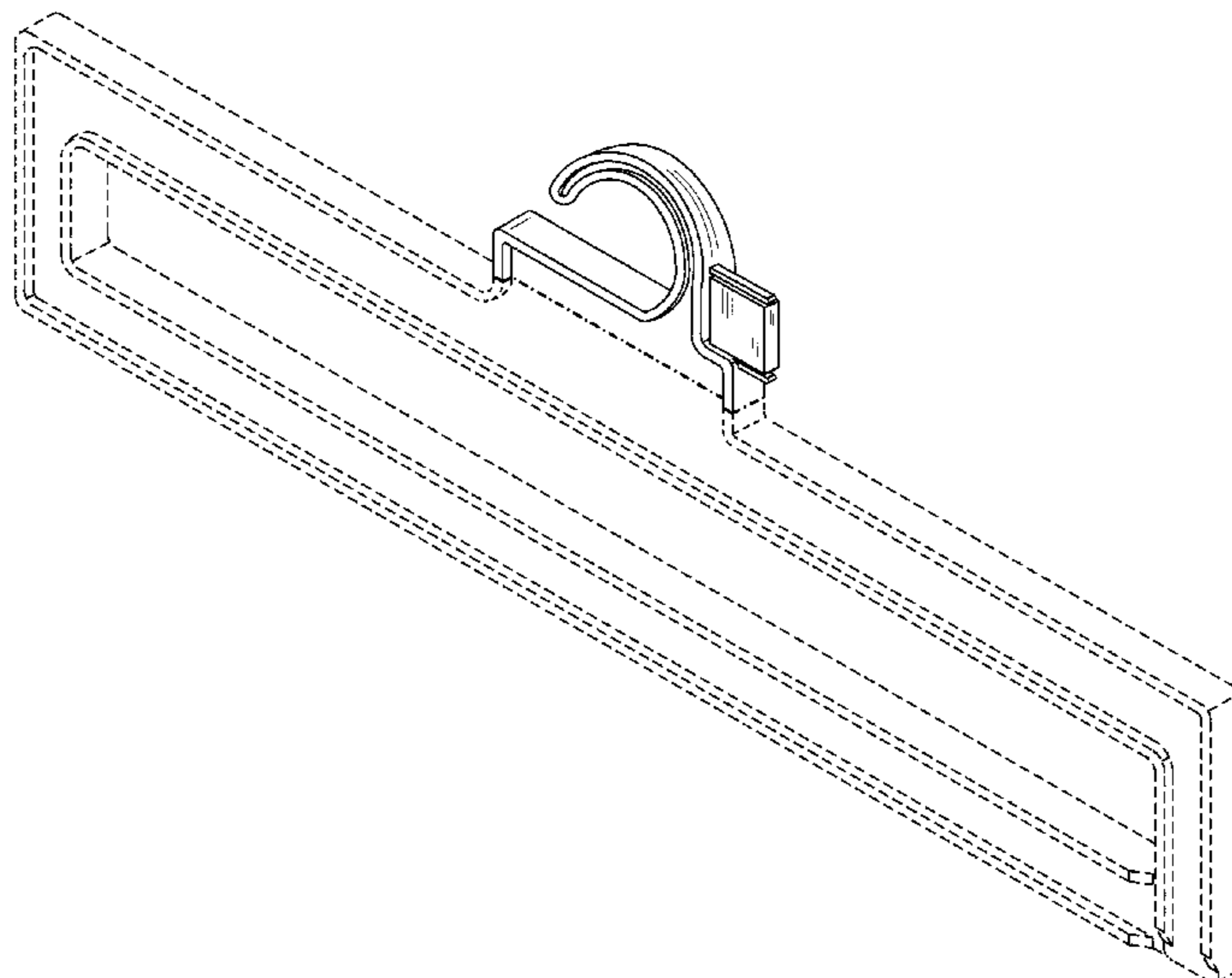
The ornamental design for a hanger portion, as shown and described.

**DESCRIPTION**

FIG. 1 is a front, perspective view of a hanger portion showing a first embodiment of our new design; FIG. 2 is a rear, perspective view thereof; FIG. 3 is a front view thereof; FIG. 4 is a rear view thereof; FIG. 5 is a right side view thereof; FIG. 6 is a left side view thereof; FIG. 7 is a top view thereof; and, FIG. 8 is a bottom view thereof.

The broken lines indicate unclaimed portions of the design. The dash lines indicate the boundary of the claimed design. None of the broken lines and dash lines forms part of the claimed design.

**1 Claim, 5 Drawing Sheets**



# US D648,142 S

## U.S. PATENT DOCUMENTS

4,865,236	A	9/1989	Dongas	
4,889,265	A *	12/1989	Morgan	223/96
4,901,894	A	2/1990	Blanchard	
5,092,502	A *	3/1992	Kolton et al.	223/91
5,096,101	A	3/1992	Norman et al.	
5,388,354	A	2/1995	Marshall et al.	
5,421,465	A *	6/1995	Dunner, Jr.	211/115
5,469,995	A	11/1995	Bredeweg et al.	
D365,448	S *	12/1995	Travis et al.	D6/319
D368,376	S	4/1996	Gouldson et al.	
5,556,014	A	9/1996	Kolton et al.	
D376,263	S	12/1996	Gouldson	
5,613,629	A	3/1997	Zuckerman	
5,615,810	A	4/1997	Kolton et al.	
5,628,132	A	5/1997	Marshall et al.	
D388,620	S	1/1998	Gouldson et al.	
D394,754	S	6/1998	Gouldson	
5,758,806	A	6/1998	Anderson	
5,775,553	A	7/1998	Marshall et al.	
5,785,216	A	7/1998	Gouldson et al.	
5,794,363	A	8/1998	Marshall et al.	
D400,718	S	11/1998	Bortolus	
D401,705	S *	11/1998	Jones	D32/58
5,857,276	A	1/1999	Marshall et al.	
D405,343	S	2/1999	Oberdorf	
5,868,289	A	2/1999	Lee	
5,884,422	A	3/1999	Marshall et al.	
D408,156	S	4/1999	Eiley et al.	
D410,793	S *	6/1999	Gouldson	D6/315
5,944,237	A	8/1999	Gouldson	
D415,620	S	10/1999	Prince et al.	
6,019,260	A	2/2000	Gouldson	
6,029,868	A	2/2000	Willinger	
6,041,984	A	3/2000	Gouldson	
6,085,950	A	7/2000	Gouldson et al.	
6,142,347	A	11/2000	Kolton et al.	
6,189,746	B1	2/2001	Gouldson	
6,196,430	B1	3/2001	Gouldson	
6,237,762	B1	5/2001	Faircloth	
D445,265	S	7/2001	Yost	
6,260,745	B1	7/2001	Gouldson et al.	
6,264,075	B1	7/2001	Gouldson et al.	
6,286,735	B1	9/2001	Zuckerman	
6,289,569	B1	9/2001	Marshall et al.	
6,378,744	B2	4/2002	Olk et al.	
6,421,910	B1	7/2002	Marshall et al.	
6,422,437	B2	7/2002	Gouldson et al.	

6,499,634	B2	12/2002	Olk et al.	
6,508,357	B1	1/2003	Faircloth et al.	
6,564,980	B2	5/2003	Gouldson et al.	
6,581,765	B1	6/2003	Rhyne	
6,612,431	B2	9/2003	Faircloth	
6,772,880	B2	8/2004	Beverly	
D499,560	S	12/2004	Abdi et al.	
D501,093	S	1/2005	Barre et al.	
6,865,832	B1	3/2005	Goldman	
D504,577	S	5/2005	Mann	
6,915,931	B2	7/2005	Gouldson et al.	
D513,595	S	1/2006	Weber et al.	
6,981,588	B2	1/2006	Kimura	
D527,536	S	9/2006	McCoy et al.	
7,264,115	B1	9/2007	Uittenbogaard et al.	
D560,373	S	1/2008	Gouldson	
7,380,359	B2	6/2008	Mainetti	
D577,496	S	9/2008	Gouldson	
7,455,203	B2	11/2008	Gouldson et al.	
7,464,842	B2	12/2008	Gouldson	
D633,310	S *	3/2011	Song et al.	D6/315
2001/0016994	A1	8/2001	Gouldson et al.	
2001/0019070	A1	9/2001	Gouldson et al.	
2002/0056734	A1	5/2002	Olk et al.	
2002/0070251	A1	6/2002	Gouldson et al.	
2002/0108975	A1	8/2002	Hunt et al.	
2003/0209577	A1	11/2003	Gouldson et al.	
2004/0050727	A1	3/2004	Fraistat et al.	
2004/0163239	A1	8/2004	Sollanek et al.	
2004/0188475	A1	9/2004	Gouldson	
2007/0045130	A1	3/2007	Kim	
2007/0045136	A1	3/2007	Kim	
2007/0199965	A1	8/2007	Gouldson	
2007/0246490	A1	10/2007	Gouldson	

## FOREIGN PATENT DOCUMENTS

WO	90/09651	A1	8/1990
WO	01/50930	A1	7/2001
WO	02/080741	A1	10/2002
WO	2006/005036	A2	1/2006

## OTHER PUBLICATIONS

“Hanging Display Package and Associated Products and Methods,”  
 U.S. Appl. No. 12/480,994, filed Jun. 9, 2009.  
 “Hanger,” U.S. Appl. No. 29/338,303, filed Jun. 9, 2009.  
 “Hanger Portion,” U.S. Appl. No. 29/346,547, filed Nov. 2, 2009.

\* cited by examiner

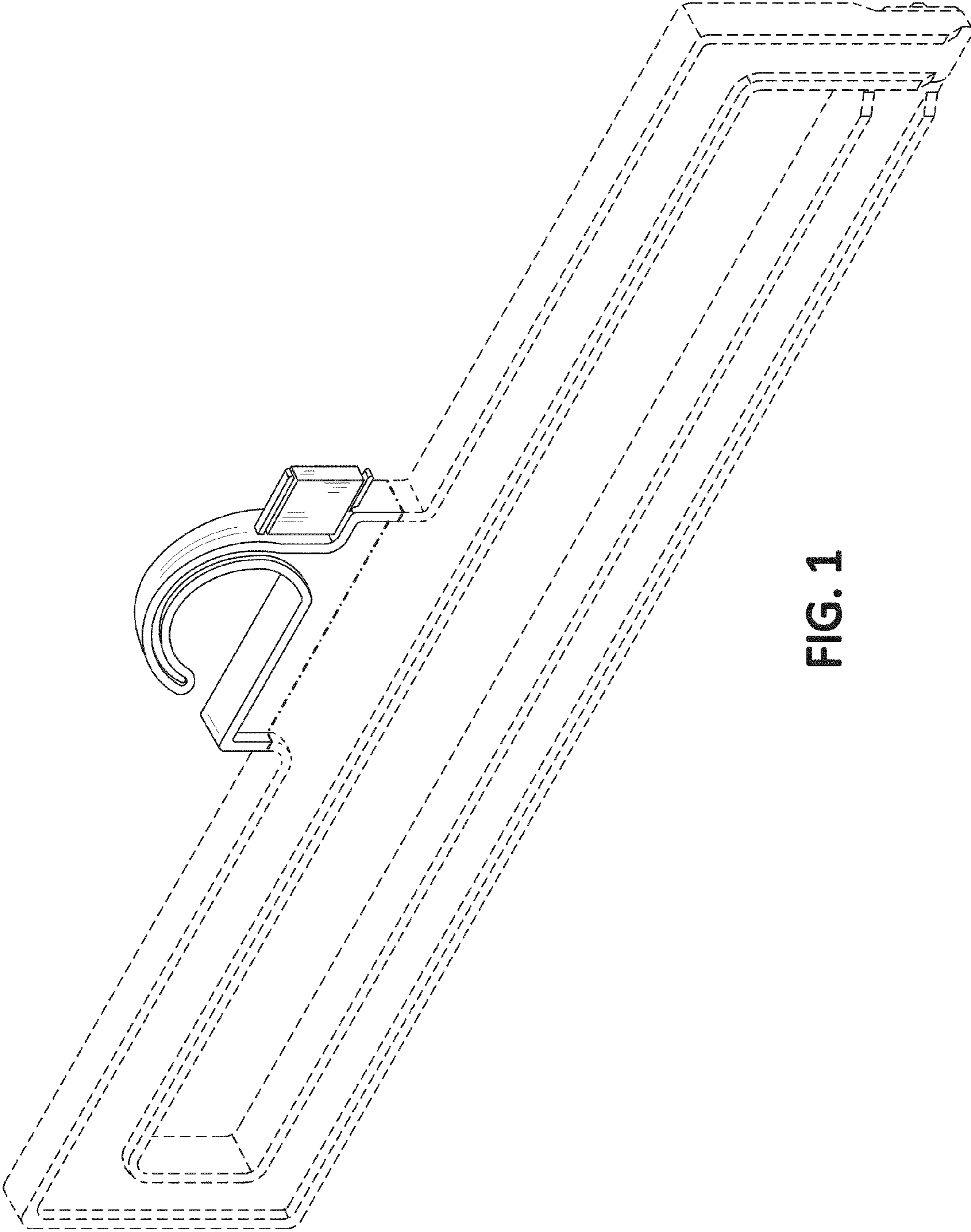


FIG. 1

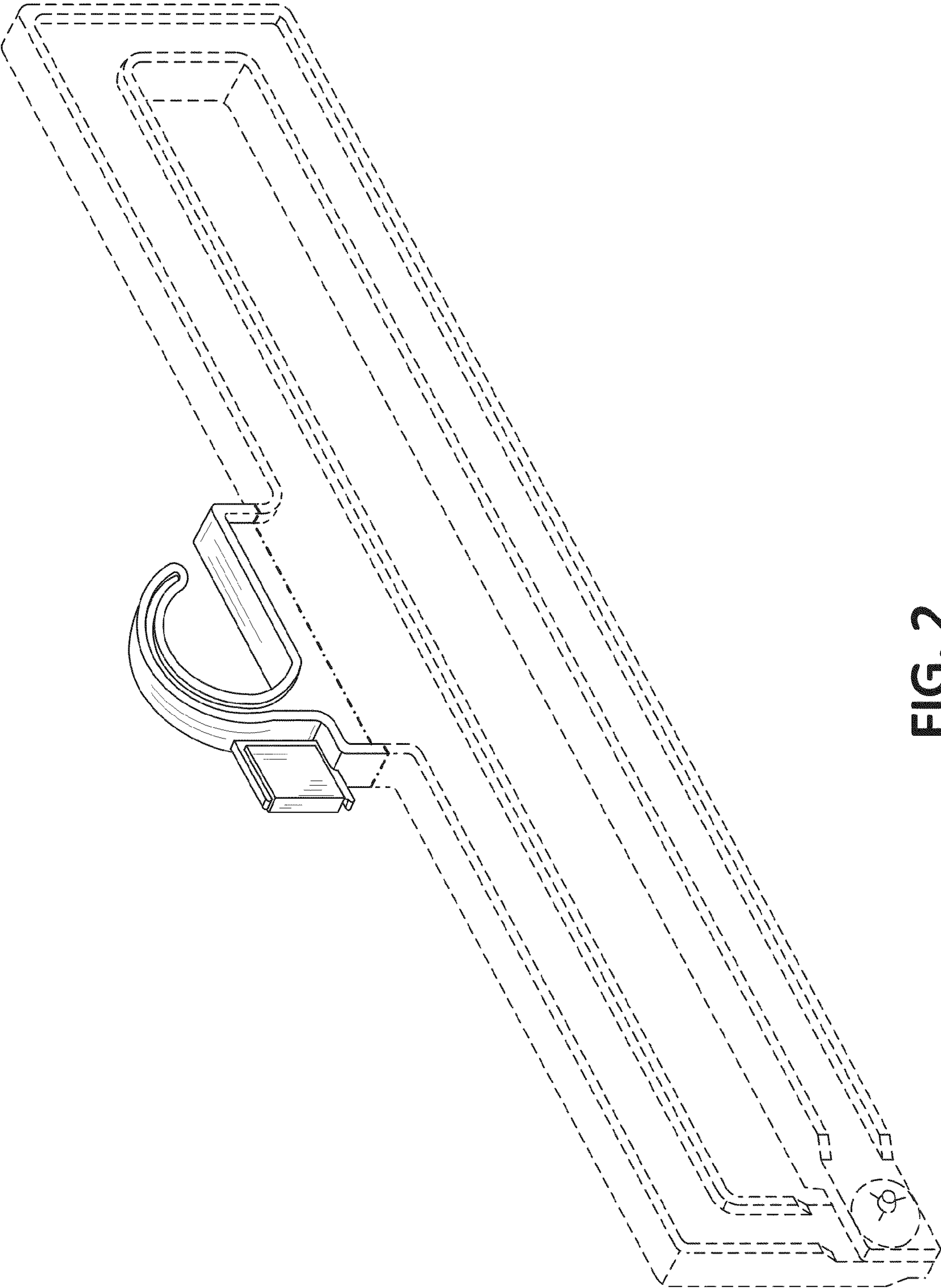


FIG. 2

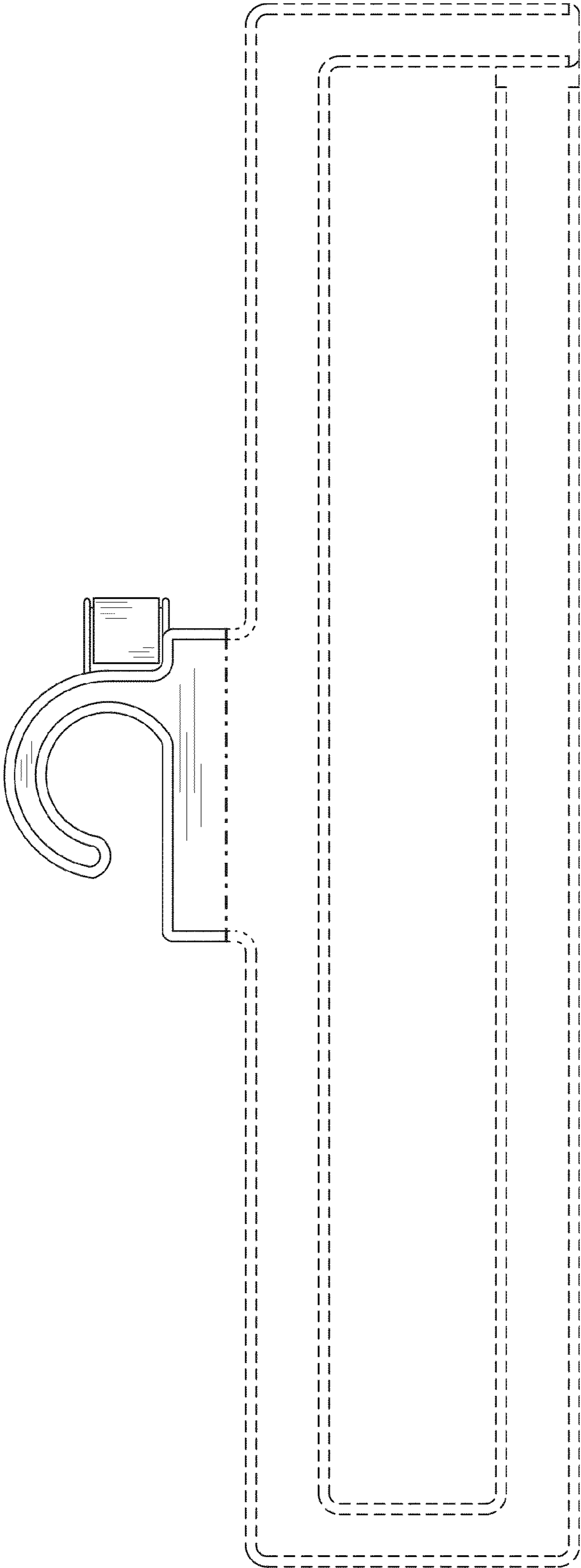


FIG. 3

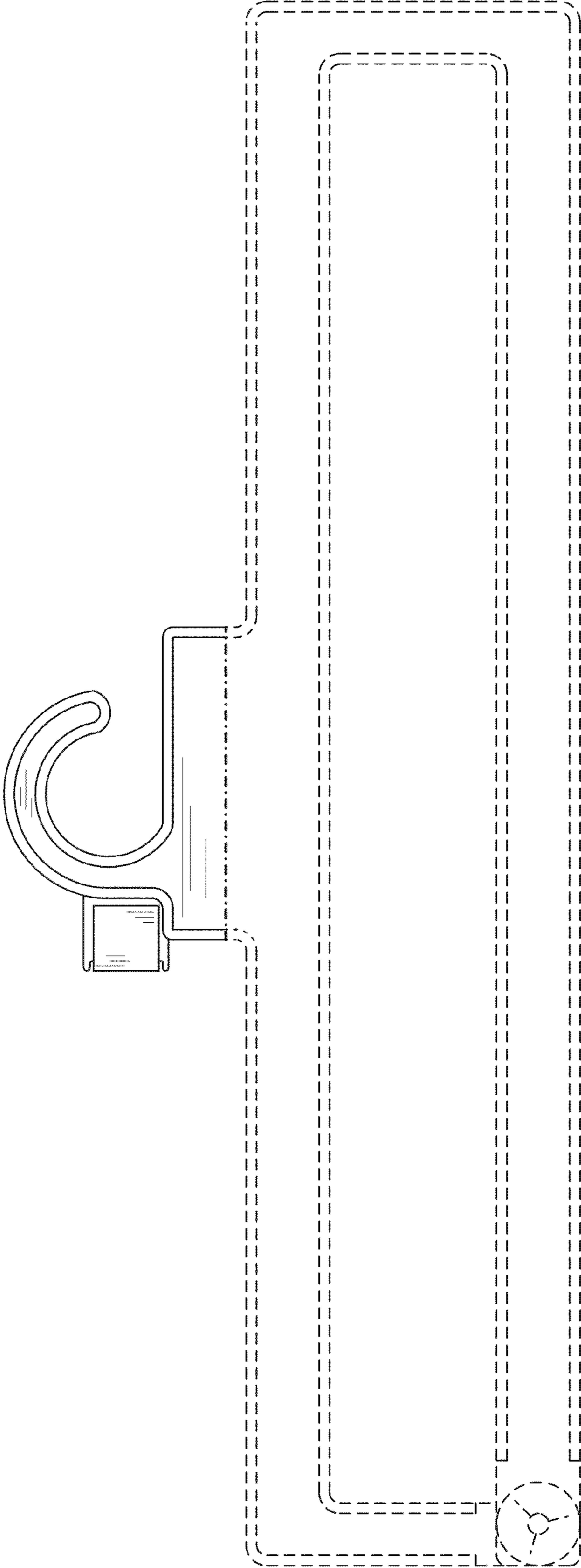


FIG. 4



FIG. 5



FIG. 6



FIG. 7

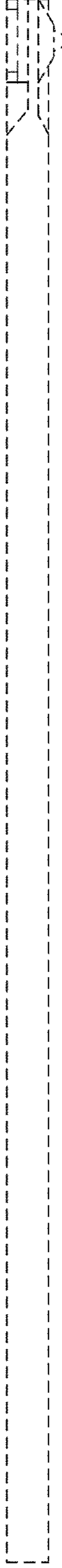


FIG. 8