



US00D648140S

(12) **United States Design Patent**  
**Ferraro et al.**

(10) **Patent No.:** **US D648,140 S**

(45) **Date of Patent:** **\*\* Nov. 8, 2011**

(54) **HANGER PORTION**

(75) Inventors: **Brandon R. Ferraro**, St. Louis Park, MN (US); **Neal T. Anderson**, Edina, MN (US); **Keith C. Cedro**, Clifton, NJ (US); **Jake Strassberger**, South Plainfield, NJ (US)

(73) Assignee: **Target Brands, Inc.**, Minneapolis, MN (US)

(\*\*) Term: **14 Years**

(21) Appl. No.: **29/346,547**

(22) Filed: **Nov. 2, 2009**

(51) **LOC (9) Cl.** ..... **06-08**

(52) **U.S. Cl.** ..... **D6/315**

(58) **Field of Classification Search** ..... D6/315-328, D6/513; 211/113, 119; 223/83, 87, 88, 94, 223/89, 96.09, DIG. 1; 206/276, 287.1, 289, 206/806

See application file for complete search history.

(56) **References Cited**

**U.S. PATENT DOCUMENTS**

D118,984 S	2/1940	Paterson	
2,320,018 A	5/1943	Ullman	
D140,337 S	2/1945	Hill	
D140,338 S	2/1945	Hill	
D153,032 S	3/1949	Porter	
3,087,605 A	4/1963	Kester	
3,172,531 A	3/1965	Shillman	
3,191,770 A	6/1965	Zuckerman	
3,435,999 A *	4/1969	Mantell	223/91
D215,899 S *	11/1969	Soderberg	D6/315
3,477,623 A	11/1969	Milette et al.	
3,557,944 A *	1/1971	Crane	206/287
3,680,746 A *	8/1972	Seckelmann	223/88
3,710,996 A	1/1973	Smilow et al.	
3,841,478 A	10/1974	Wells et al.	
3,862,687 A	1/1975	Pirman	
3,963,154 A	6/1976	Schwartz et al.	
4,177,908 A	12/1979	Batts et al.	
4,198,772 A	4/1980	Furutu	
D272,502 S	2/1984	Batts et al.	
4,474,316 A *	10/1984	Philibert	223/88

(Continued)

**OTHER PUBLICATIONS**

“Hanging Display Package and Associated Products and Methods,” U.S. Appl. No. 12/480,994, filed Jun. 9, 2009.

(Continued)

*Primary Examiner* — Prabhakar Deshmukh

(74) *Attorney, Agent, or Firm* — Griffiths & Seaton PLLC

(57) **CLAIM**

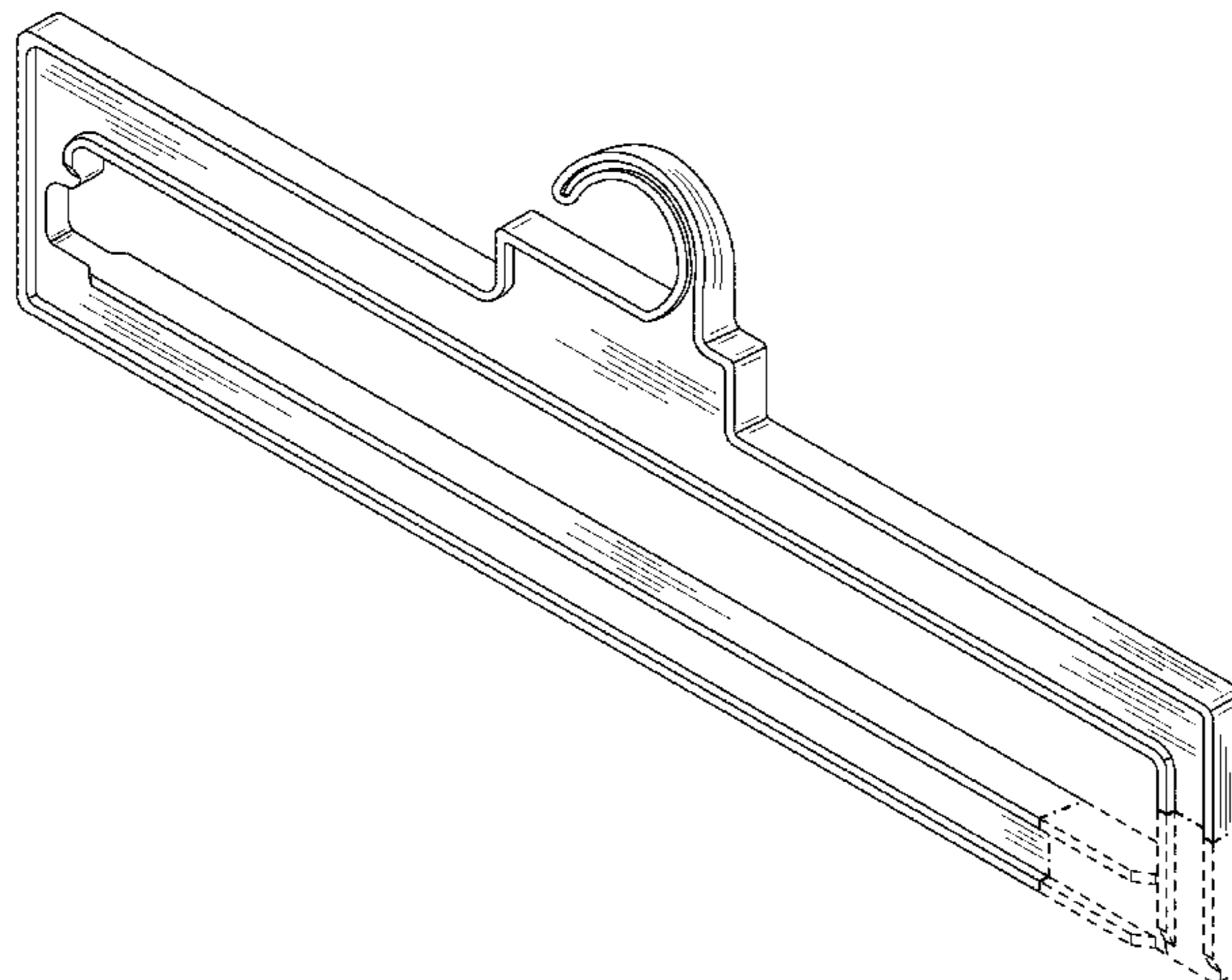
The ornamental design for a hanger portion, as shown and described.

**DESCRIPTION**

FIG. 1 is a front, perspective view of a hanger portion showing a first embodiment of our new design; FIG. 2 is a rear, perspective view thereof; FIG. 3 is a front view thereof; FIG. 4 is a rear view thereof; FIG. 5 is a right side view thereof; FIG. 6 is a left side view thereof; FIG. 7 is a top view thereof; and FIG. 8 is a bottom view thereof. FIG. 9 is a front, perspective view of a hanger portion showing a second embodiment of our new design; FIG. 10 is a rear, perspective view thereof; FIG. 11 is a front view thereof; FIG. 12 is a rear view thereof; FIG. 13 is a right side view thereof; FIG. 14 is a left side view thereof; FIG. 15 is a top view thereof; and, FIG. 16 is bottom view thereof.

It is understood that the invention disclosed in FIGS. 9-16 disclose undetermined overall relative dimensions of the hanger with the basic configuration being the same as that of the first embodiment in FIGS. 1-8. The broken lines indicating the boundary and disclaimed portions of the design are for illustrative purpose only and form no part of the claimed design.

**1 Claim, 9 Drawing Sheets**



# US D648,140 S

Page 2

## U.S. PATENT DOCUMENTS

4,526,306 A 7/1985 Zuckerman et al.  
D303,325 S 9/1989 Marshall  
4,865,236 A 9/1989 Dongas  
4,889,265 A \* 12/1989 Morgan ..... 223/96  
4,901,894 A 2/1990 Blanchard  
5,092,502 A \* 3/1992 Kolton et al. .... 223/91  
5,421,465 A \* 6/1995 Dunner, Jr. .... 211/115  
D365,448 S \* 12/1995 Travis et al. .... D6/319  
5,556,014 A 9/1996 Kolton et al.  
5,615,810 A 4/1997 Kolton et al.  
5,758,806 A 6/1998 Anderson  
D401,705 S \* 11/1998 Jones ..... D32/58  
D405,343 S 2/1999 Oberdorf  
5,868,289 A 2/1999 Lee  
D408,156 S 4/1999 Eiley et al.  
D410,793 S \* 6/1999 Gouldson ..... D6/315  
D415,620 S 10/1999 Prince et al.  
6,085,950 A 7/2000 Gouldson et al.  
6,142,347 A 11/2000 Kolton et al.  
6,237,762 B1 5/2001 Faircloth  
D445,265 S 7/2001 Yost  
6,286,735 B1 9/2001 Zuckerman

6,508,357 B1 1/2003 Faircloth et al.  
6,581,765 B1 6/2003 Rhyne  
6,612,431 B2 9/2003 Faircloth  
6,772,880 B2 8/2004 Beverly  
D499,560 S 12/2004 Abdi et al.  
D501,093 S 1/2005 Barre et al.  
D504,577 S 5/2005 Mann  
D513,595 S 1/2006 Weber et al.  
6,981,588 B2 1/2006 Kimura  
D527,536 S 9/2006 McCoy et al.  
7,264,115 B1 9/2007 Uittenbogaard et al.  
D633,310 S \* 3/2011 Song et al. .... D6/315  
2002/0108975 A1 8/2002 Hunt et al.  
2003/0209577 A1 11/2003 Gouldson et al.  
2004/0050727 A1 3/2004 Fraistat et al.  
2007/0045130 A1 3/2007 Kim  
2007/0045136 A1 3/2007 Kim

## OTHER PUBLICATIONS

“Hanger,” U.S. Appl. No. 29/338,303, filed Jun. 9, 2009.  
“Hanger Portion,” U.S. Appl. No. 29/346,559, filed Nov. 2, 2009.

\* cited by examiner

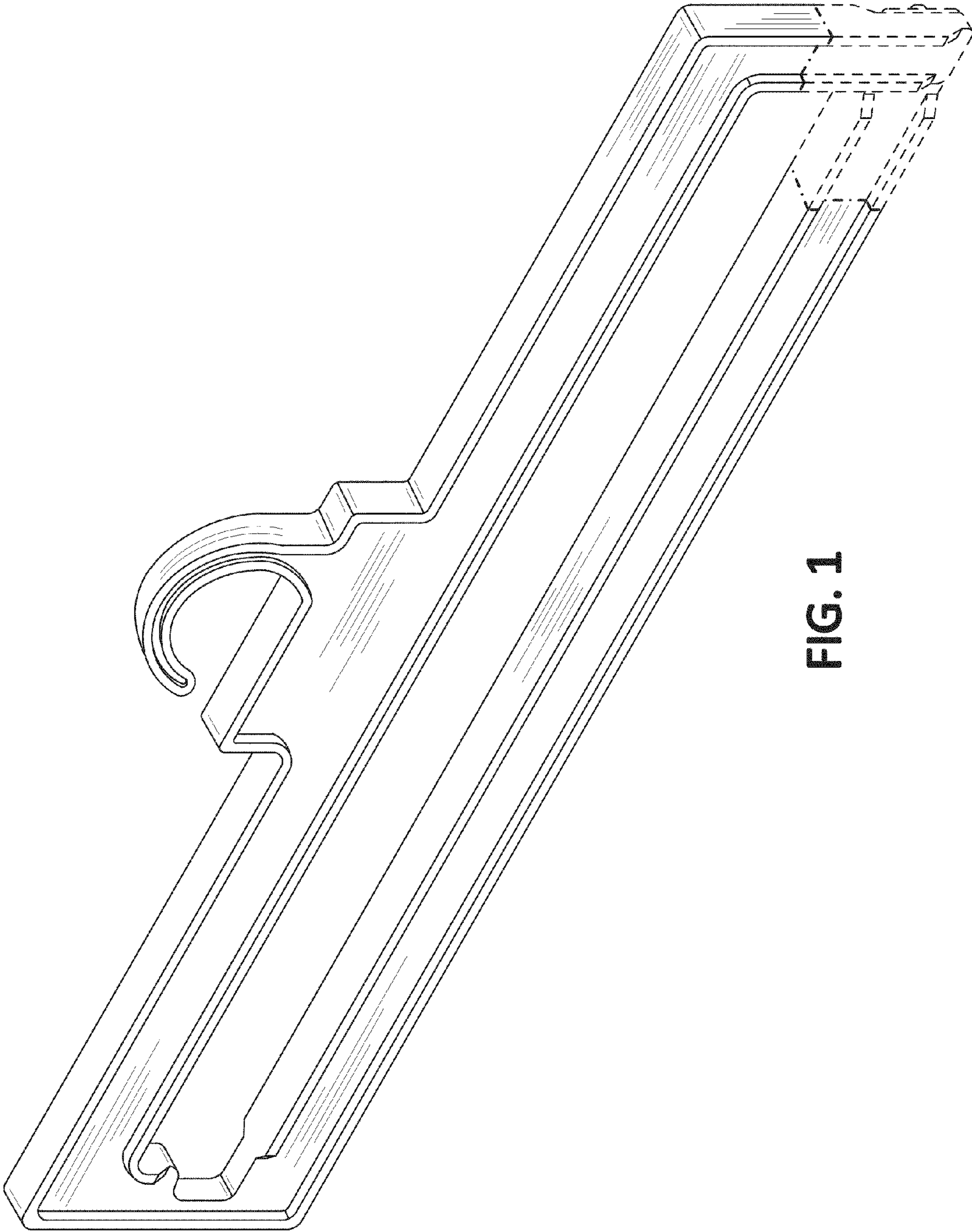


FIG. 1



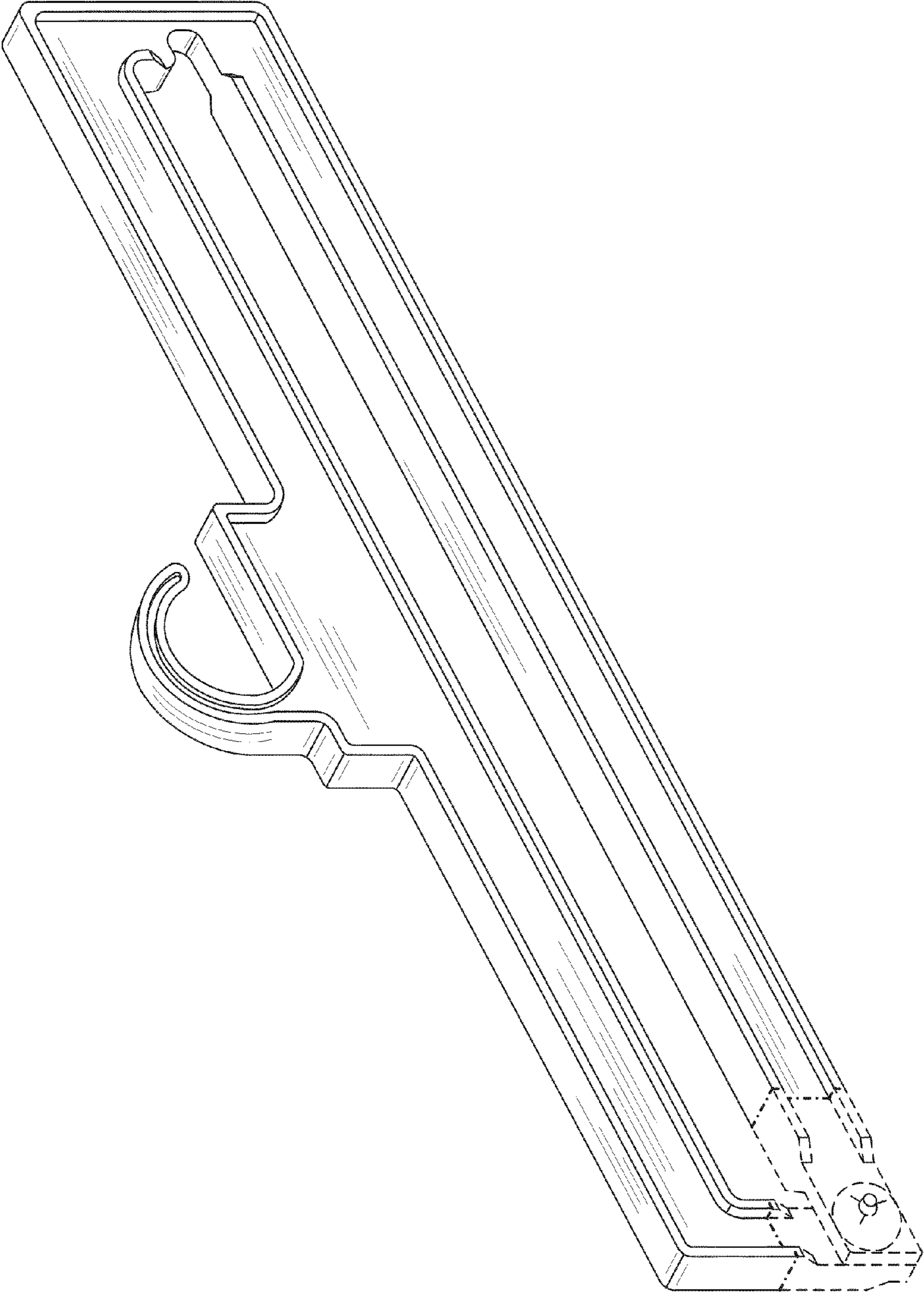


FIG. 2

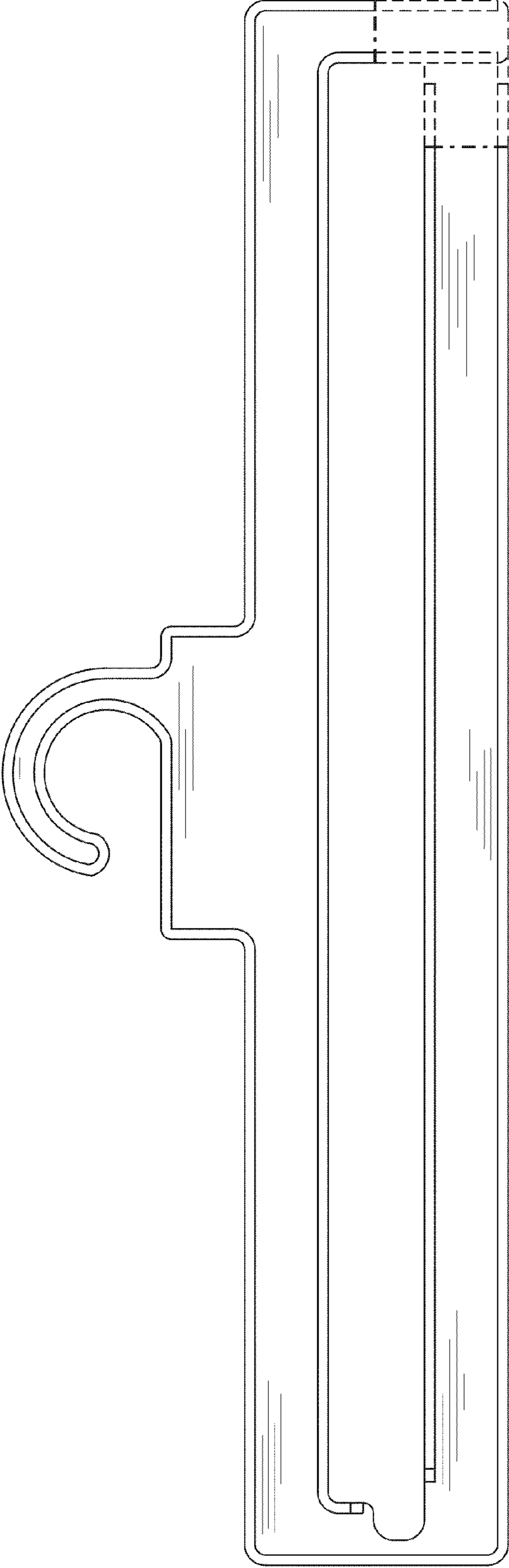


FIG. 3

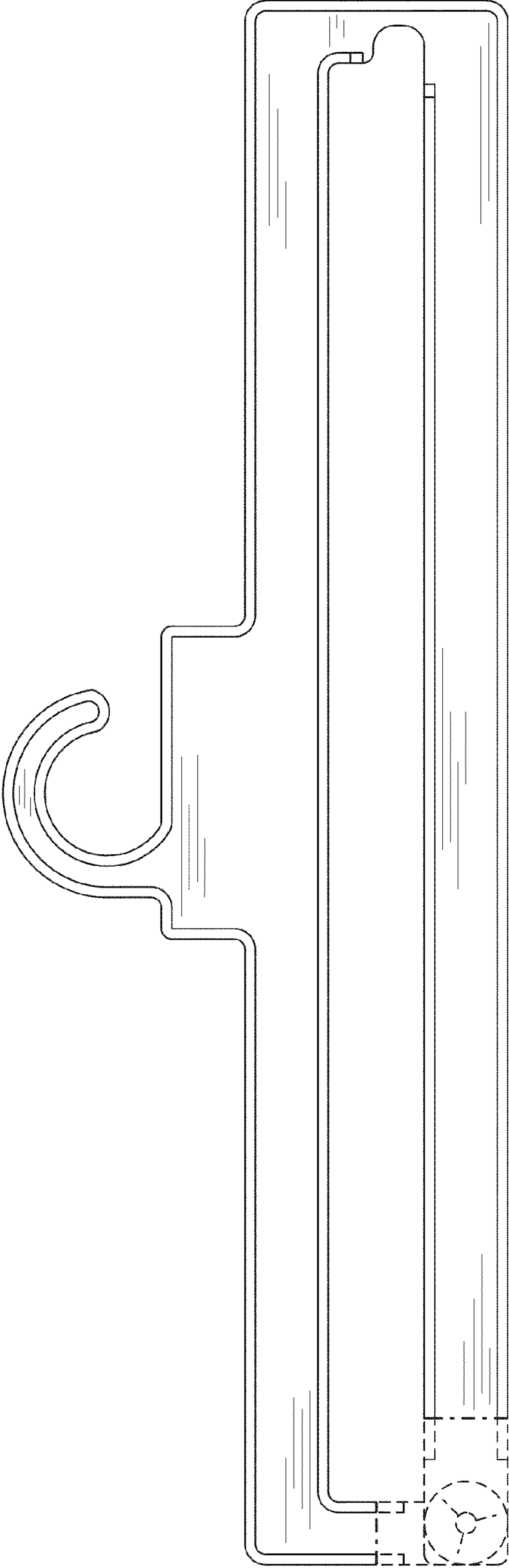


FIG. 4



FIG. 5



FIG. 6



FIG. 7



FIG. 8

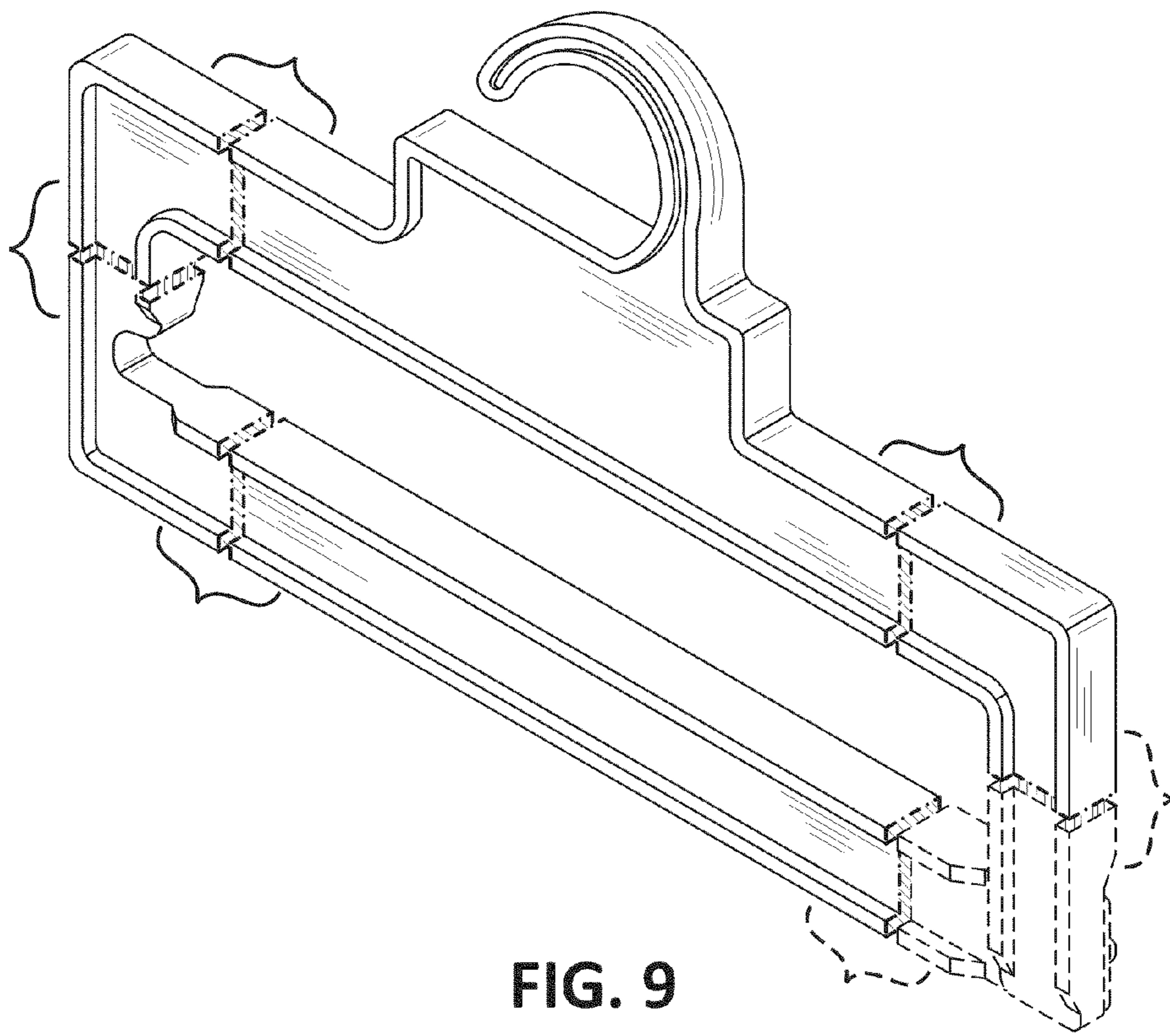


FIG. 9



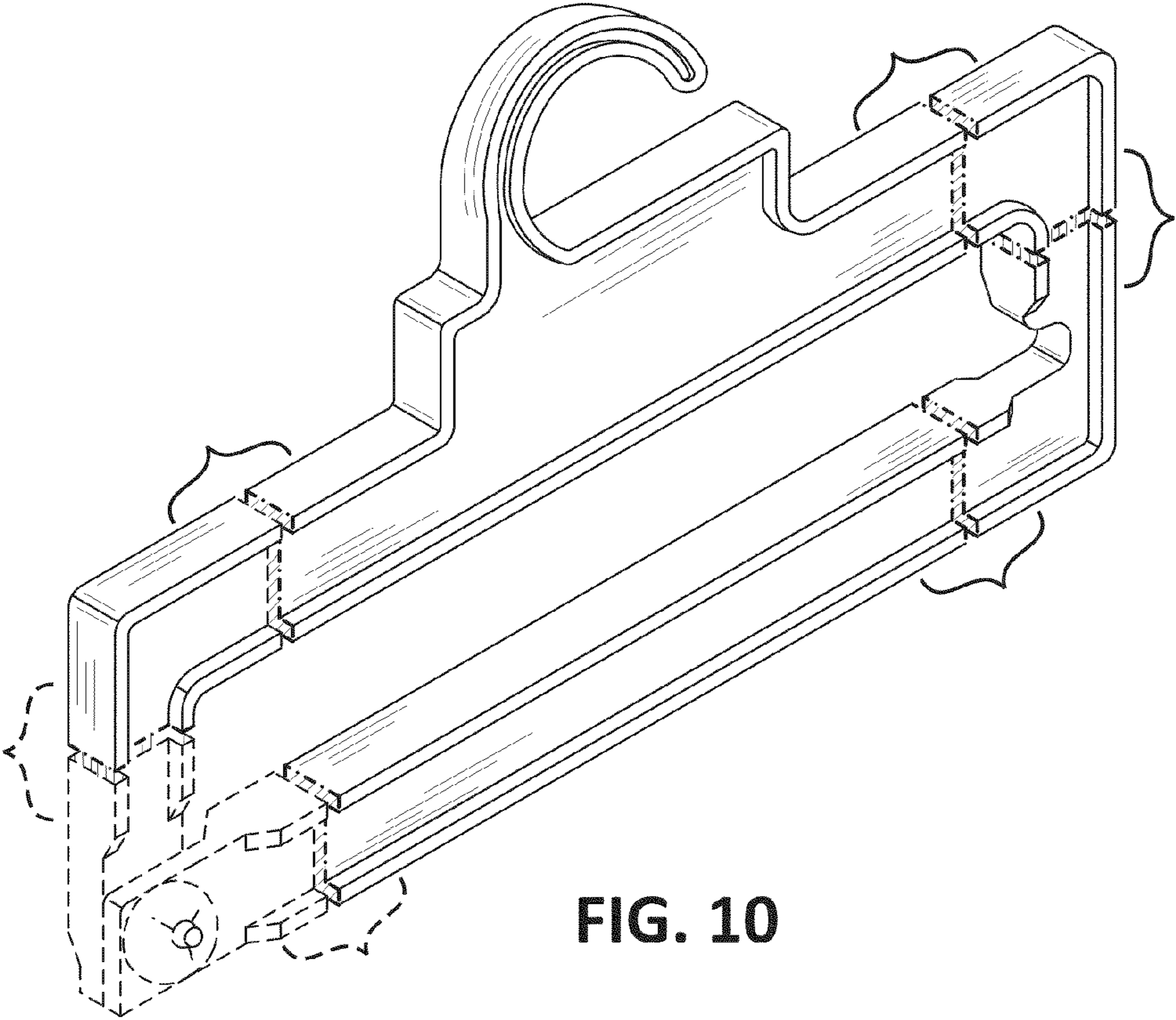


FIG. 10

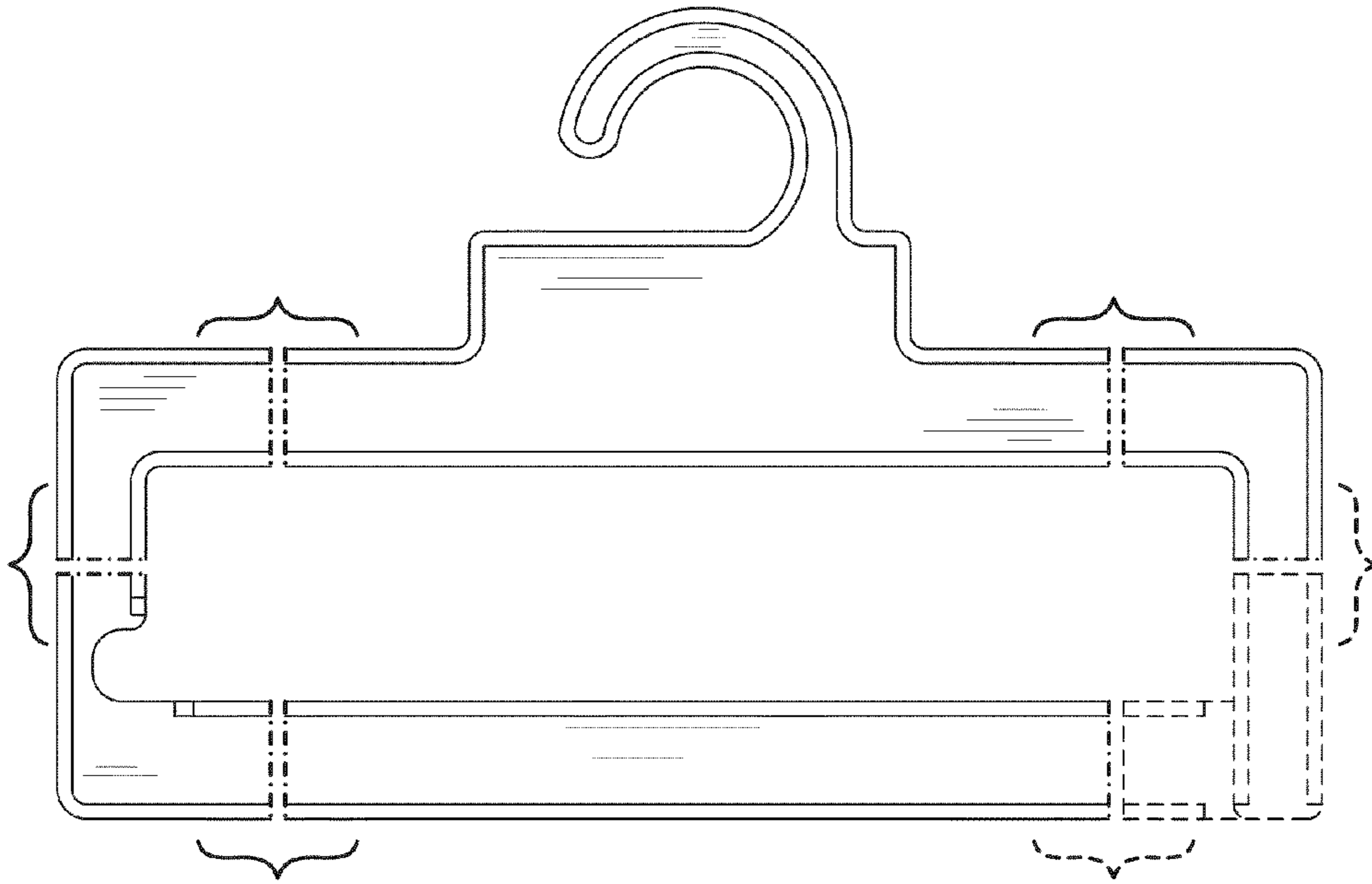


FIG. 11

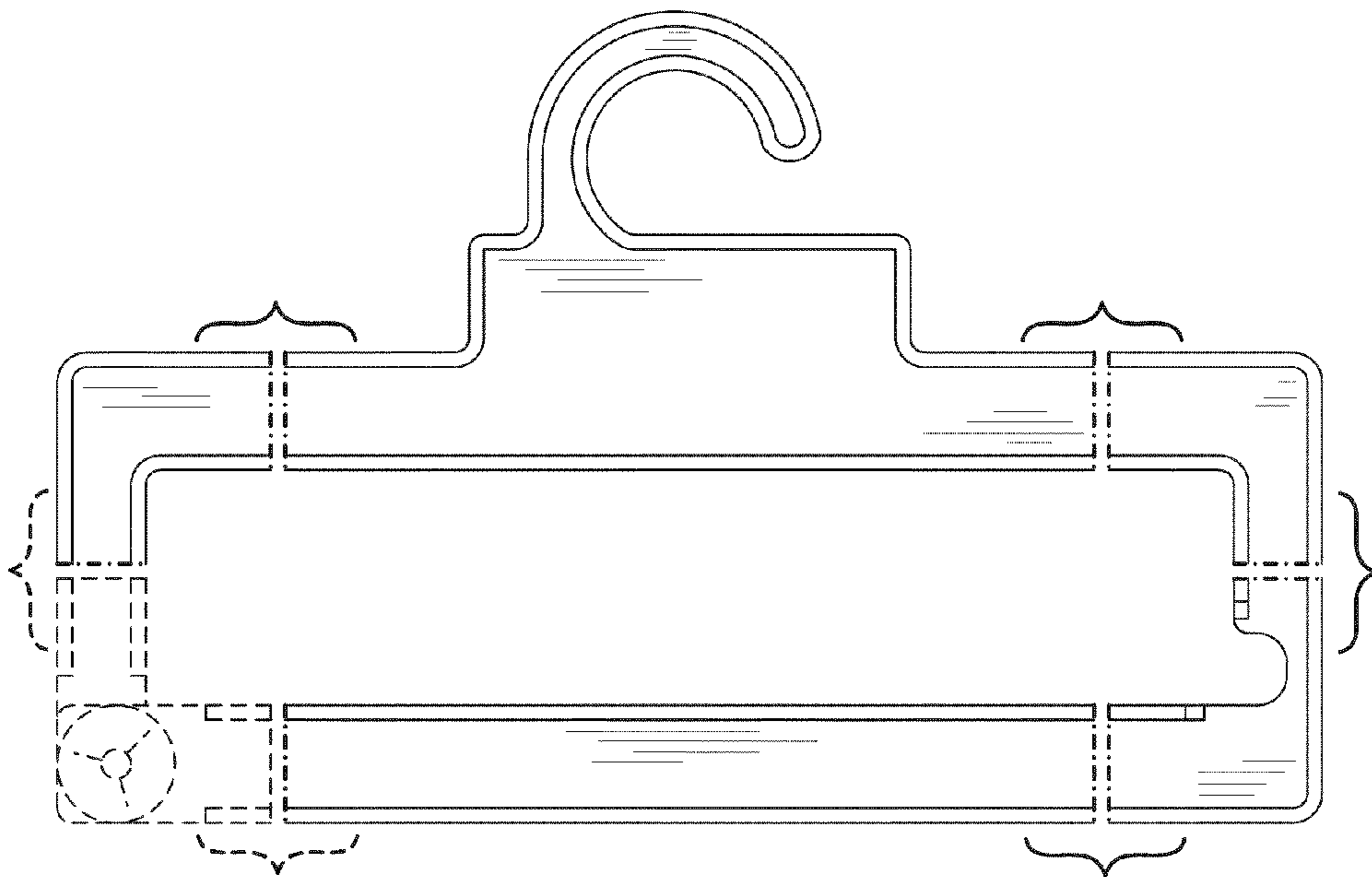


FIG. 12

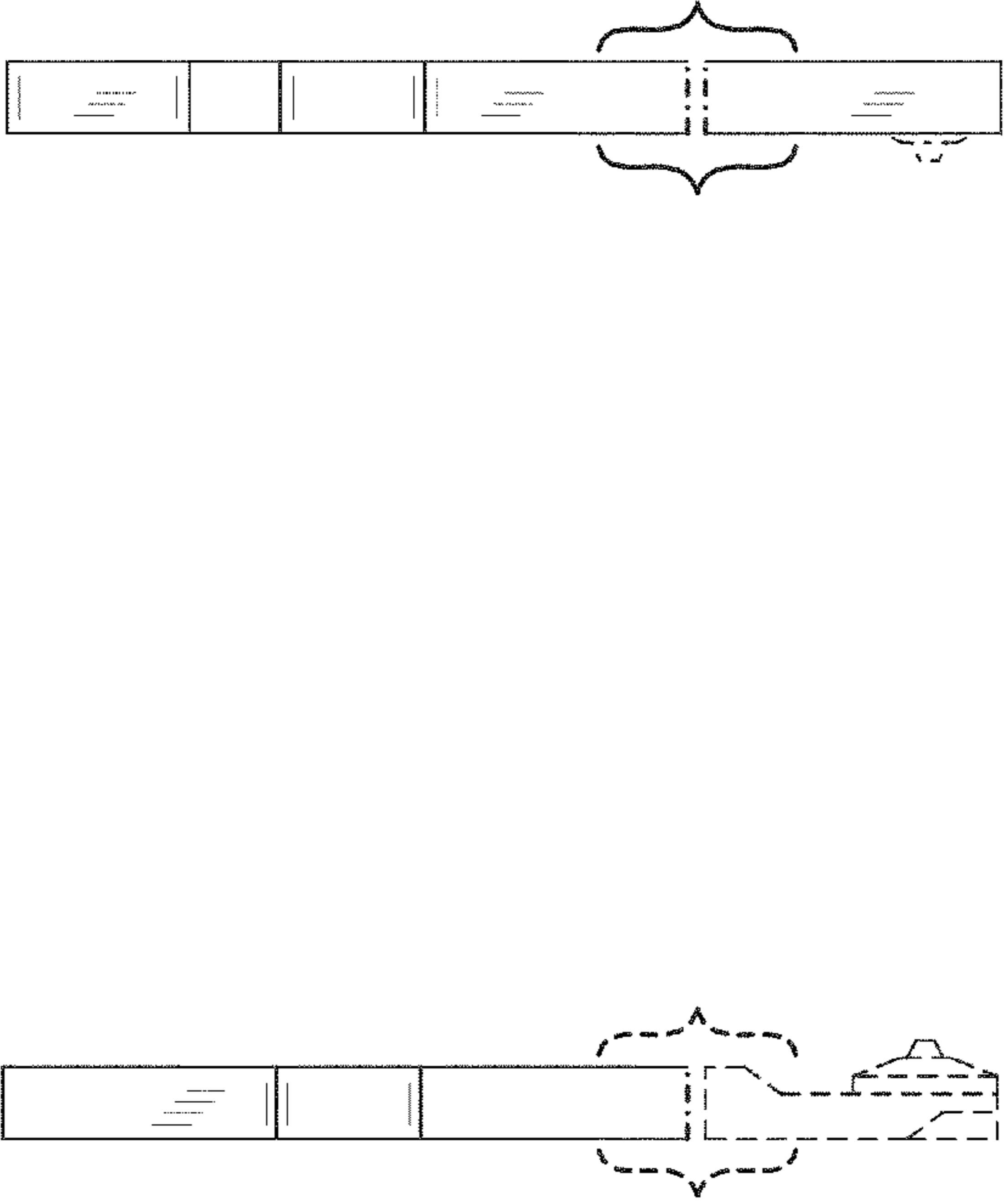


FIG. 14

FIG. 13

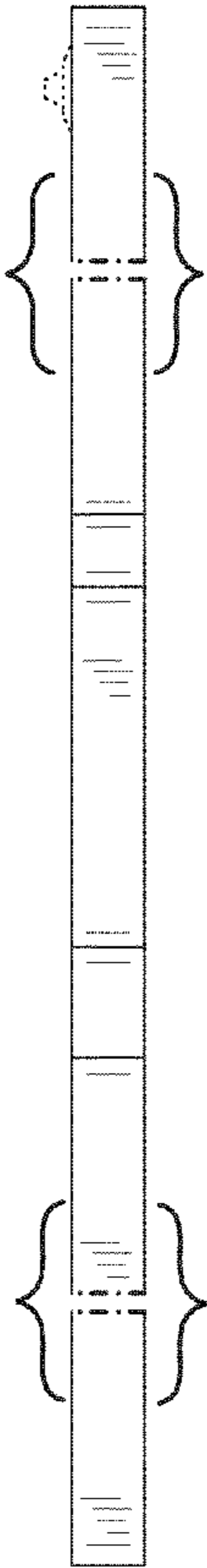


FIG. 15

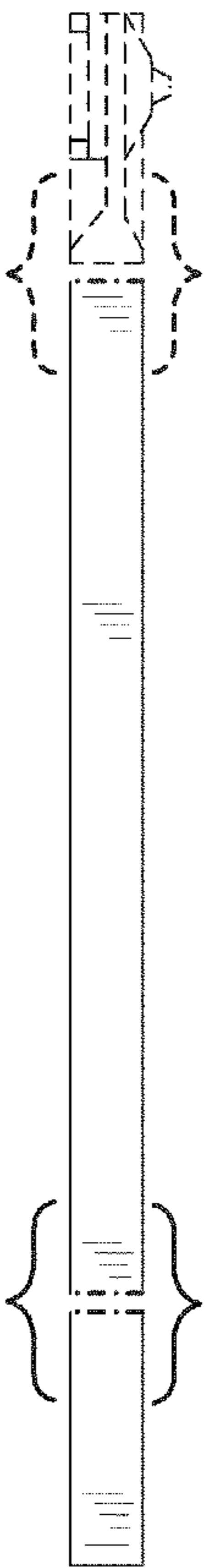


FIG. 16