



US00D648133S

(12) **United States Design Patent**  
**Wu**

(10) **Patent No.:** **US D648,133 S**

(45) **Date of Patent:** **\*\* Nov. 8, 2011**

(54) **CASE GRIP**

(76) Inventor: **Chen-Chuan Wu**, Hsin Chuang (TW)

(\*\*) Term: **14 Years**

(21) Appl. No.: **29/378,582**

(22) Filed: **Nov. 5, 2010**

(51) **LOC (9) Cl.** ..... **03-01**

(52) **U.S. Cl.** ..... **D3/318**

(58) **Field of Classification Search** ..... D3/318;  
190/18 A, 39, 102-103, 111, 115  
See application file for complete search history.

(56) **References Cited**

U.S. PATENT DOCUMENTS

D485,988 S *	2/2004	Moon	.....	D3/318
D504,773 S *	5/2005	Lu	.....	D3/318
D553,364 S *	10/2007	Moon	.....	D3/318
D572,905 S *	7/2008	Wu	.....	D3/318

\* cited by examiner

*Primary Examiner* — Holly Baynham

(74) *Attorney, Agent, or Firm* — Muncy, Geissler, Olds & Lowe, PLLC

(57) **CLAIM**

The ornamental design of a case grip, as shown and described.

**DESCRIPTION**

FIG. 1 is a perspective view of a case grip showing the new design;

FIG. 2 is a front view thereof;

FIG. 3 is a rear view thereof;

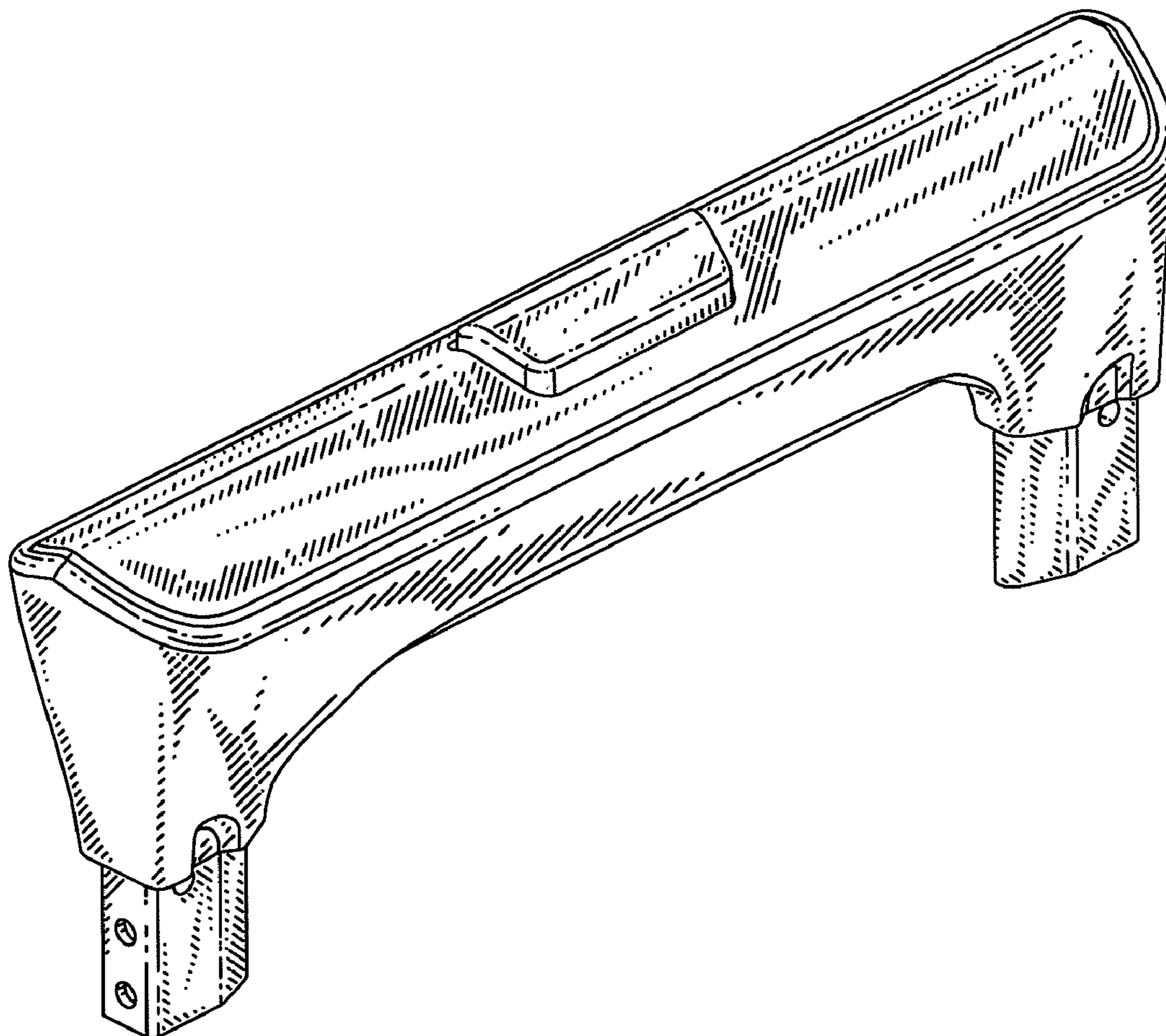
FIG. 4 is a left side view thereof;

FIG. 5 is a right side view thereof;

FIG. 6 is a top view thereof; and,

FIG. 7 is a bottom view thereof.

**1 Claim, 4 Drawing Sheets**



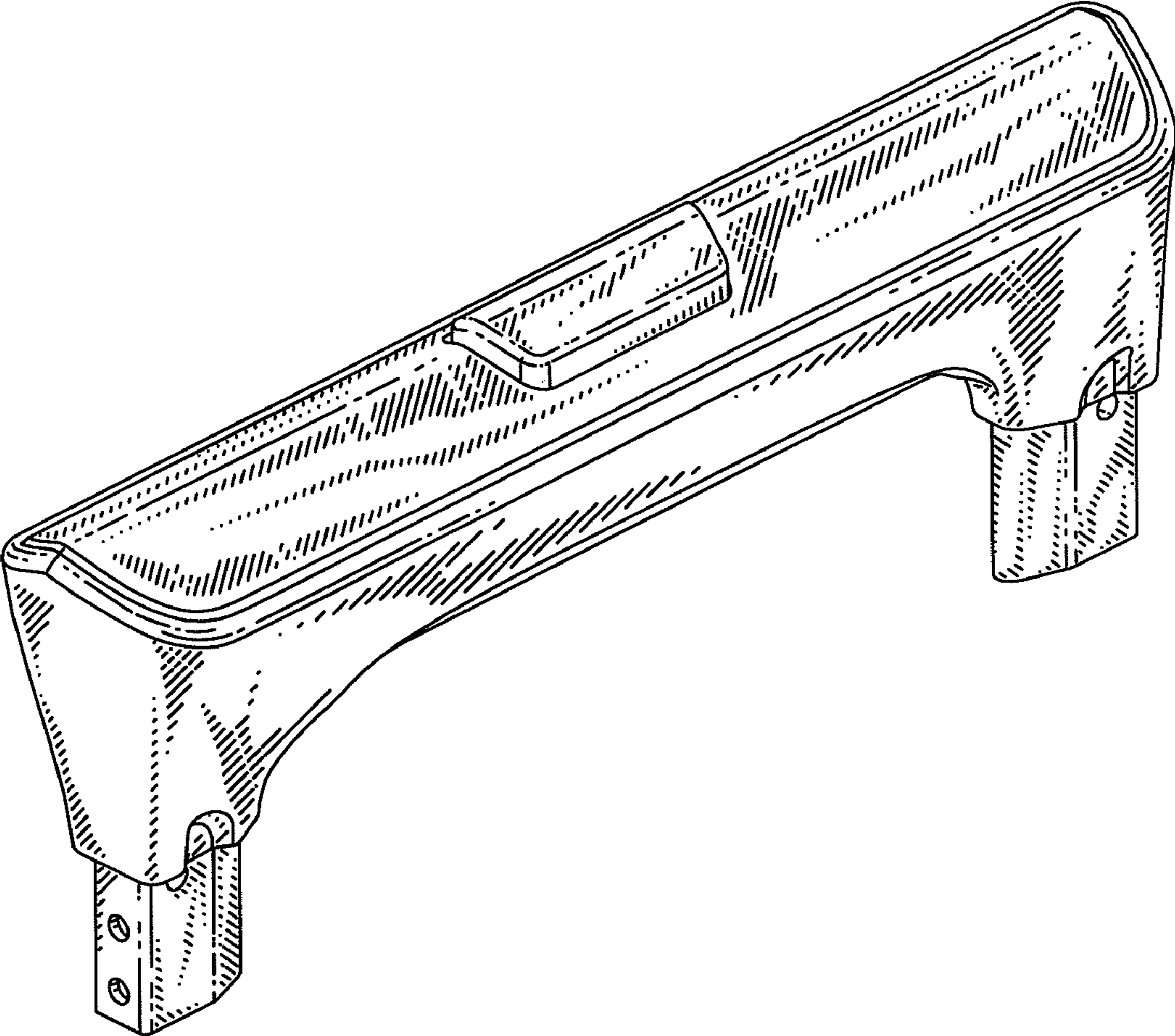


FIG. 1

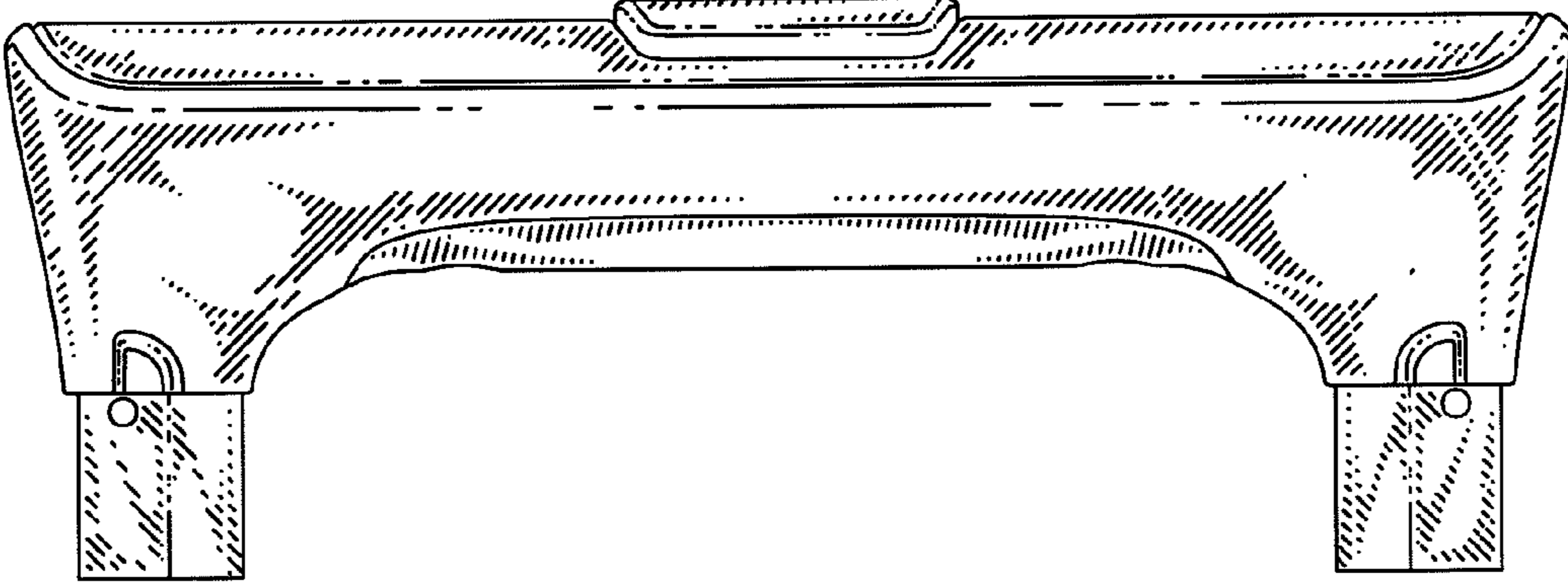


FIG. 2



FIG. 3

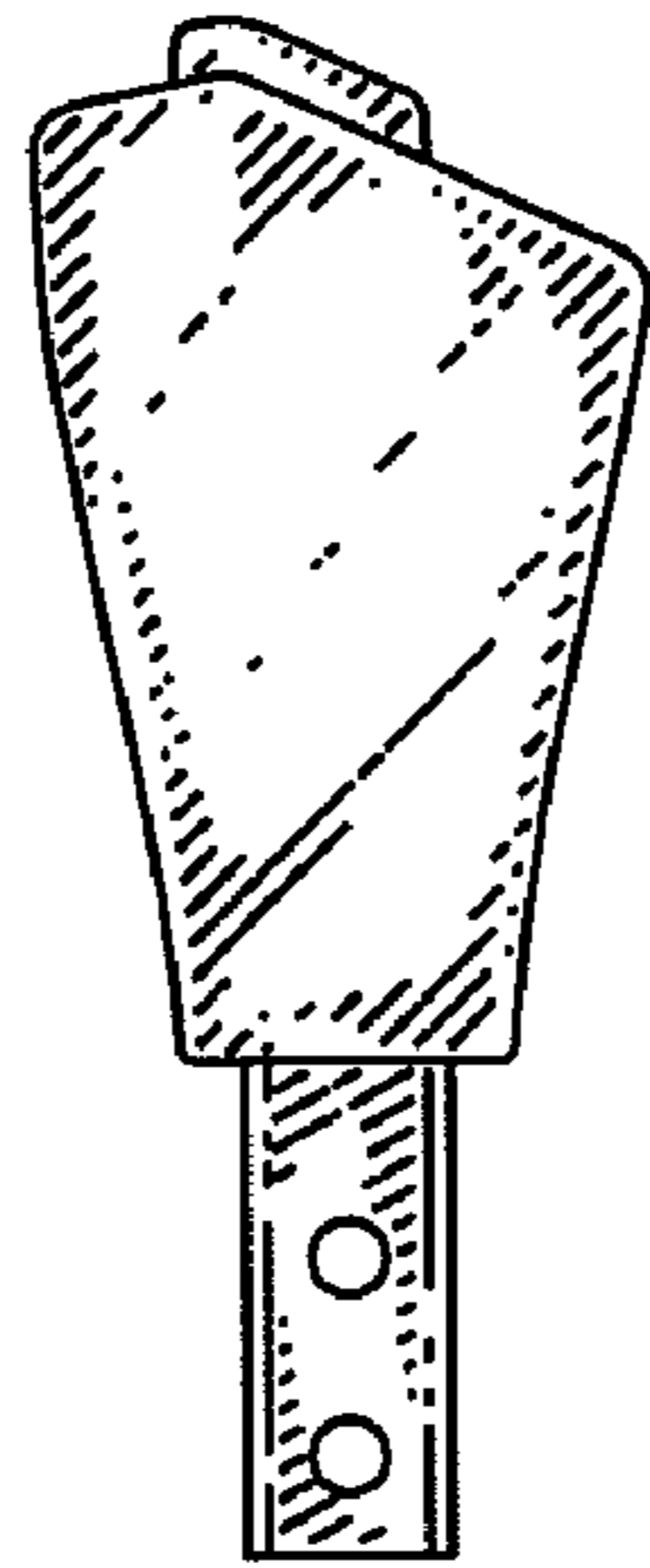


FIG. 4

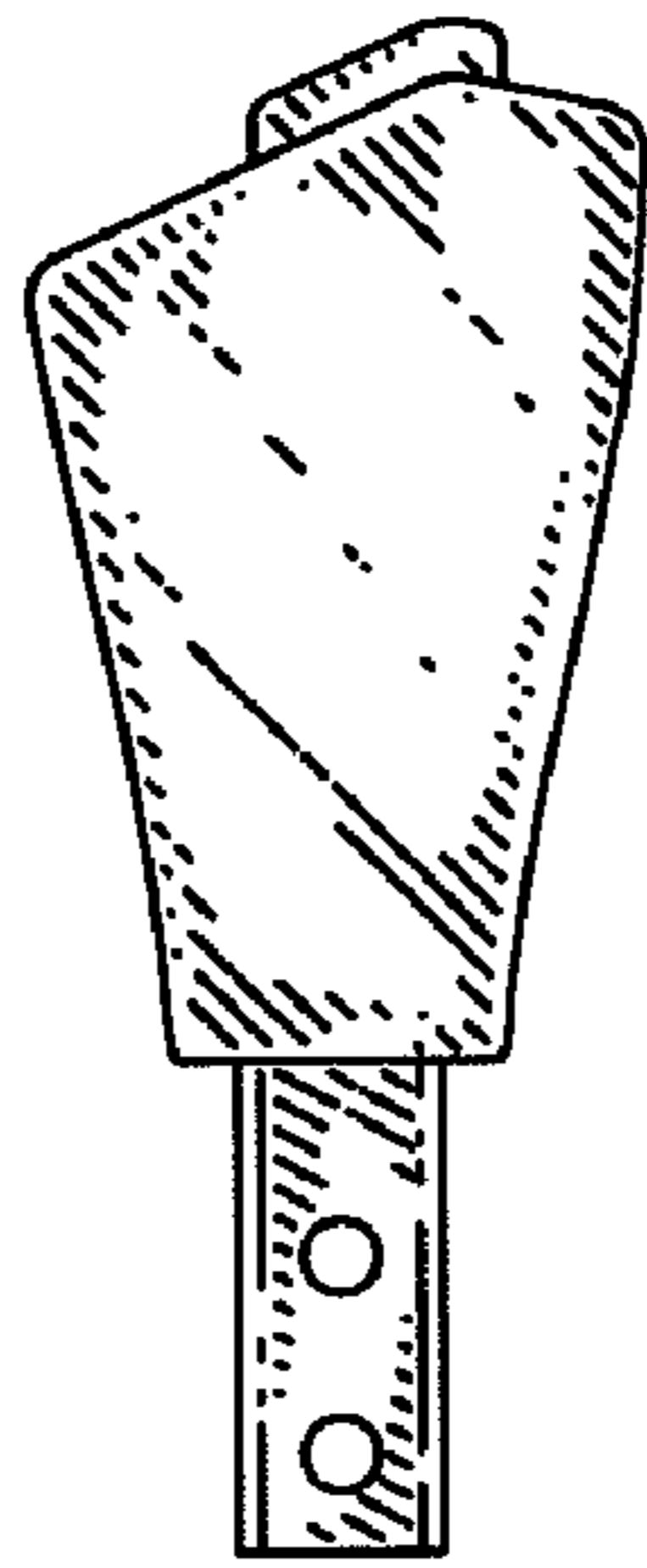


FIG. 5

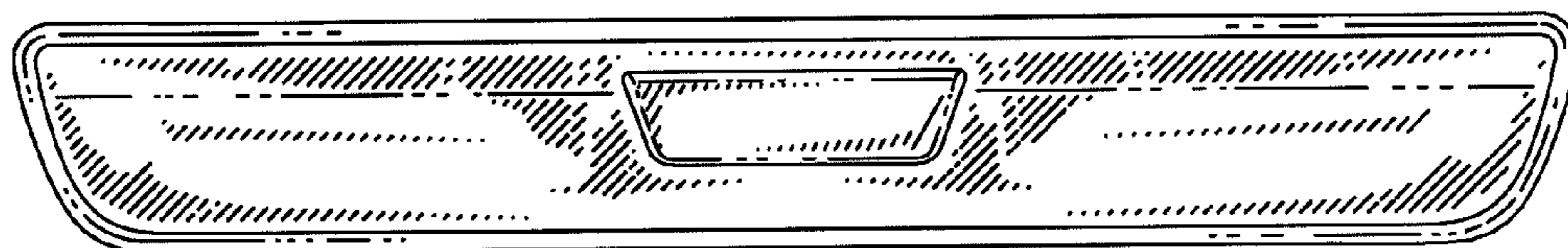


FIG. 6

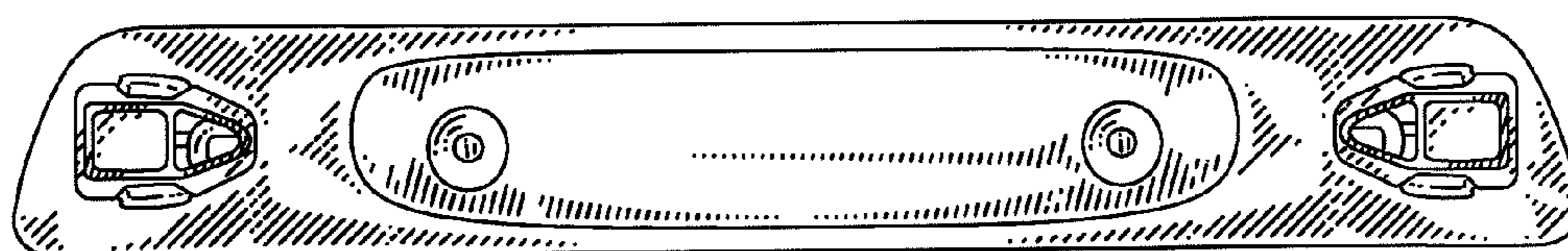


FIG. 7