



US00D648132S

(12) **United States Design Patent**
Wu

(10) **Patent No.:** **US D648,132 S**

(45) **Date of Patent:** **** Nov. 8, 2011**

(54) **LUGGAGE GRIP**

(76) **Inventor:** **Chen-Chuan Wu**, Taipei Hsien (TW)

(**) **Term:** **14 Years**

(21) **Appl. No.:** **29/378,577**

(22) **Filed:** **Nov. 5, 2010**

(51) **LOC (9) Cl.** **03-01**

(52) **U.S. Cl.** **D3/318**

(58) **Field of Classification Search** D3/318;
190/18 A, 39, 102-103, 111, 115
See application file for complete search history.

(56) **References Cited**

U.S. PATENT DOCUMENTS

D485,988 S *	2/2004	Moon	D3/318
D504,773 S *	5/2005	Lu	D3/318
D553,364 S *	10/2007	Moon	D3/318
D572,905 S *	7/2008	Wu	D3/318

* cited by examiner

Primary Examiner — Holly Baynham

(74) *Attorney, Agent, or Firm* — Muncy, Geissler, Olds & Lowe, PLLC

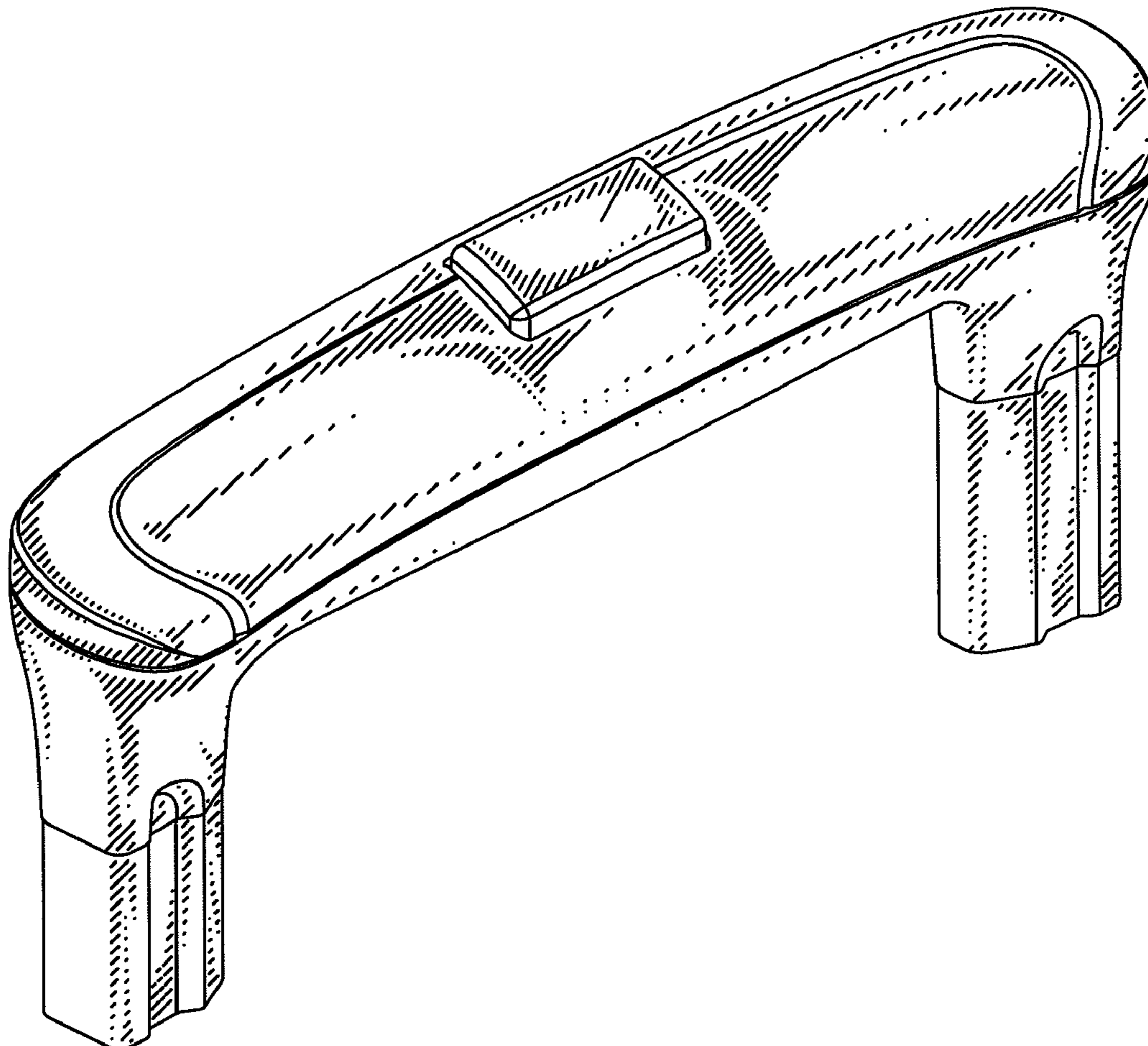
(57) **CLAIM**

The ornamental design of a luggage grip, as shown and described.

DESCRIPTION

FIG. 1 is a perspective view of a luggage grip showing the new design;
FIG. 2 is a front view thereof;
FIG. 3 is a rear view thereof;
FIG. 4 is a left side view thereof;
FIG. 5 is a right side view thereof;
FIG. 6 is a top view thereof; and,
FIG. 7 is a bottom view thereof.

1 Claim, 4 Drawing Sheets



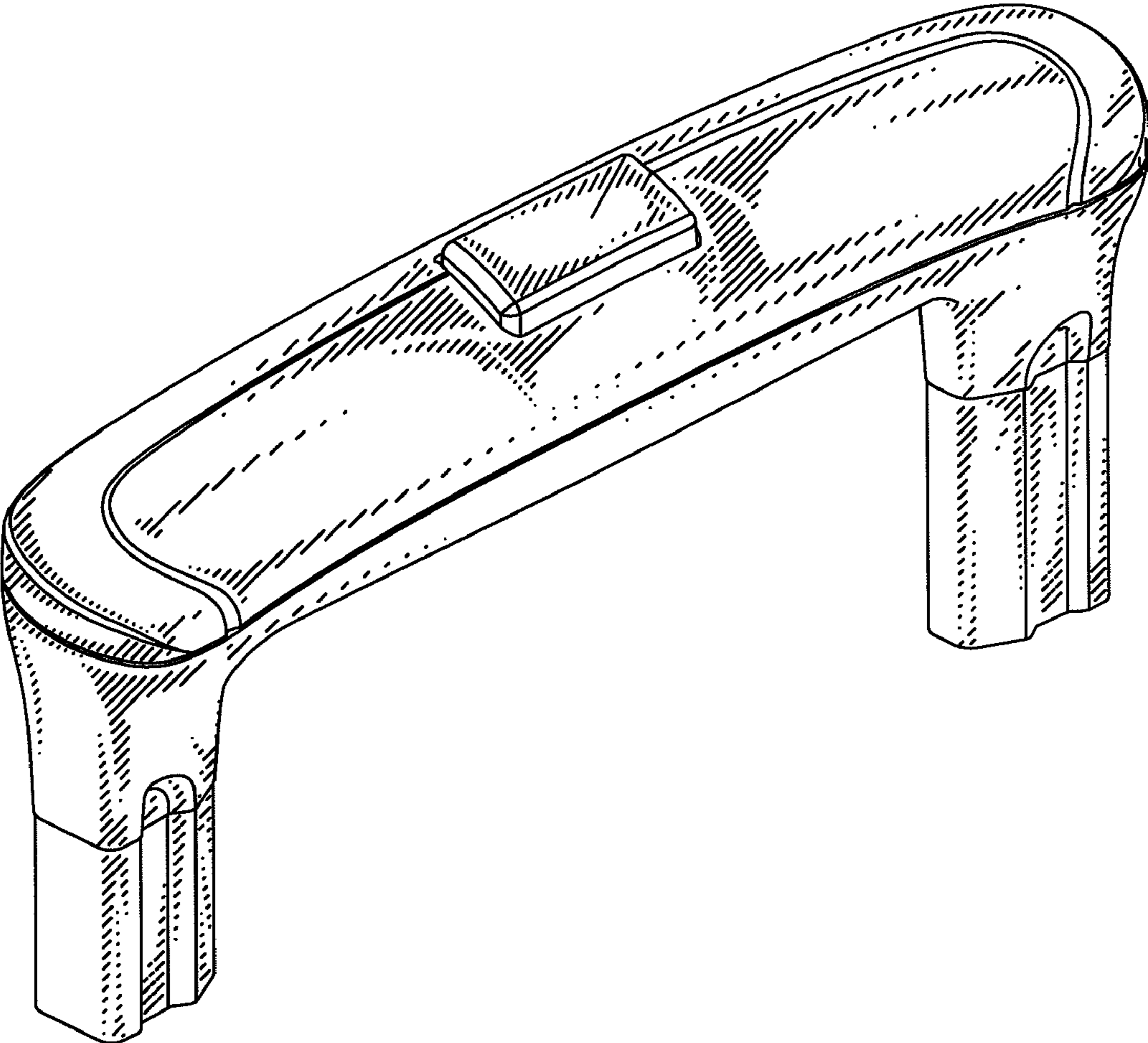


FIG. 1

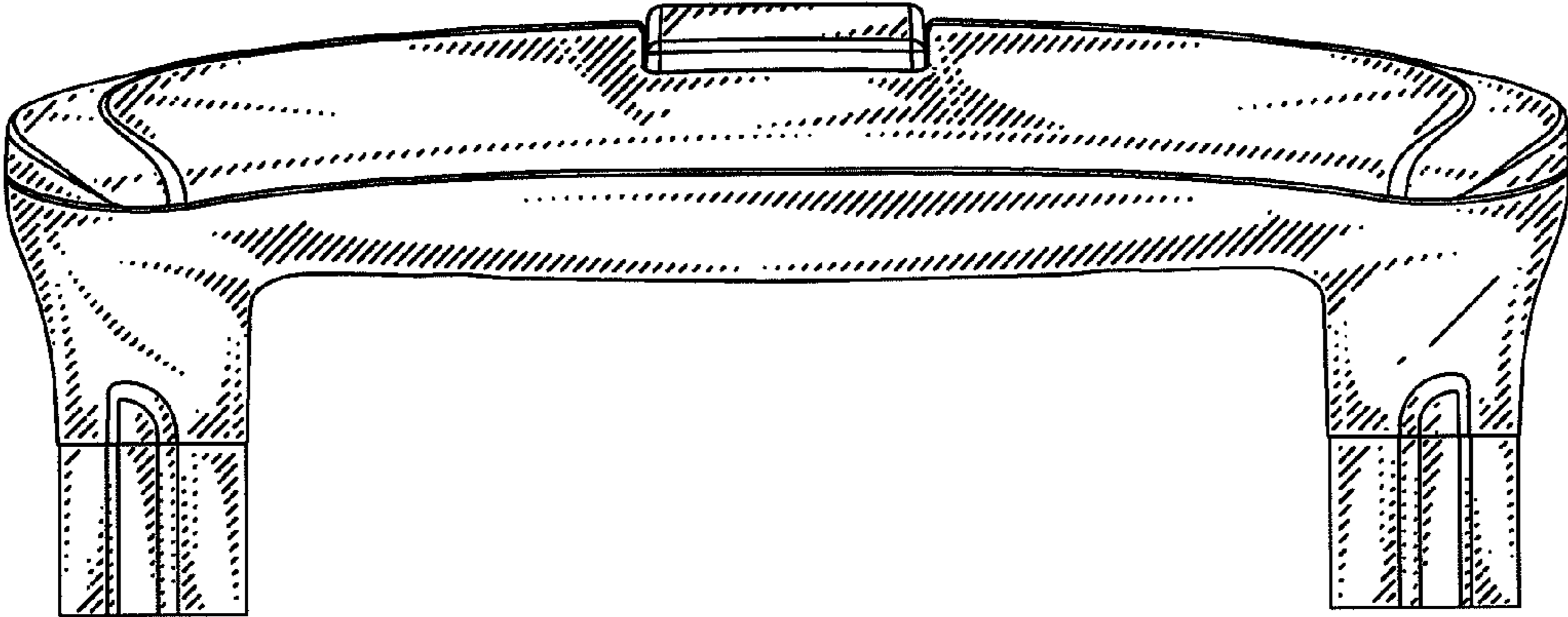


FIG. 2



FIG. 3

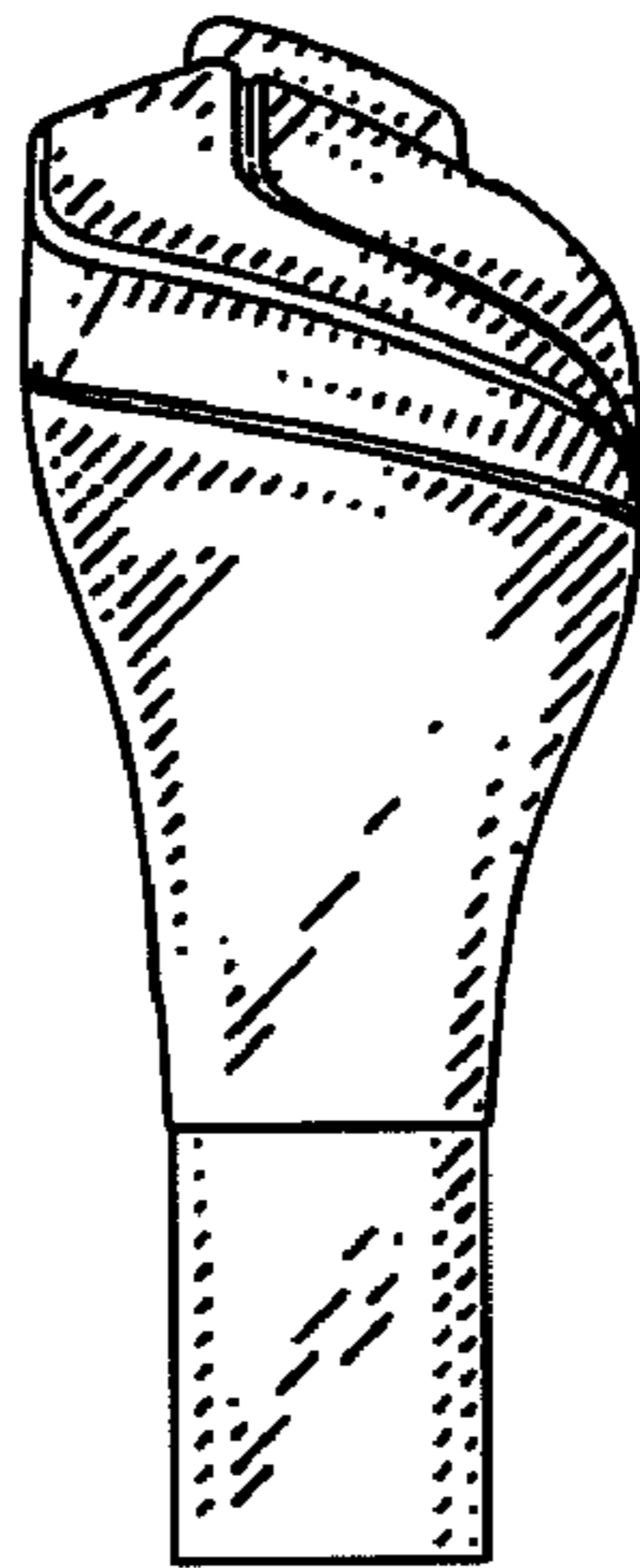


FIG. 4

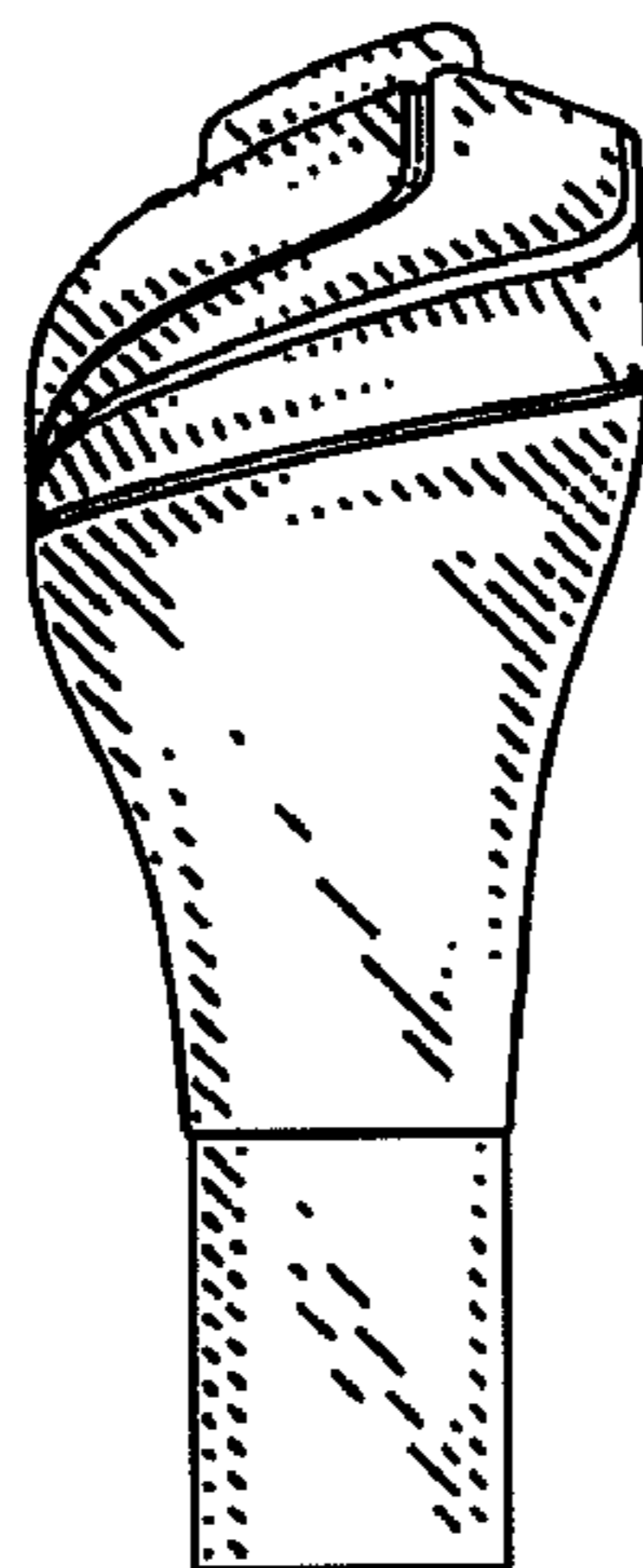


FIG. 5

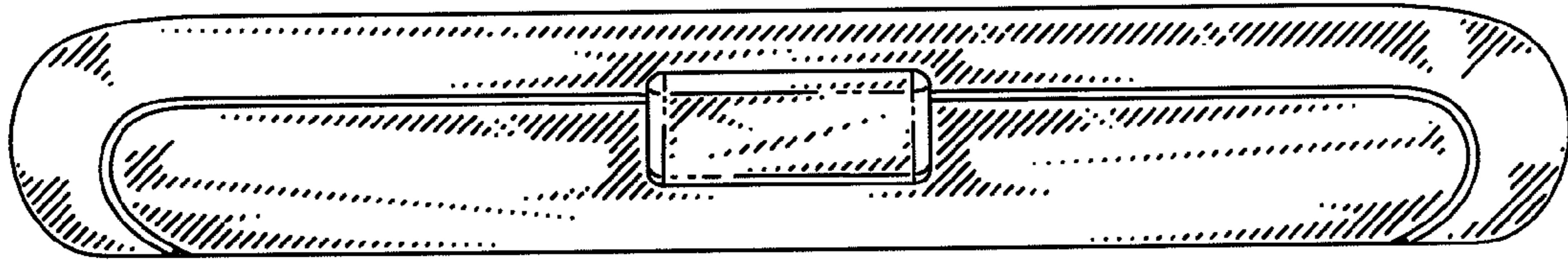


FIG. 6

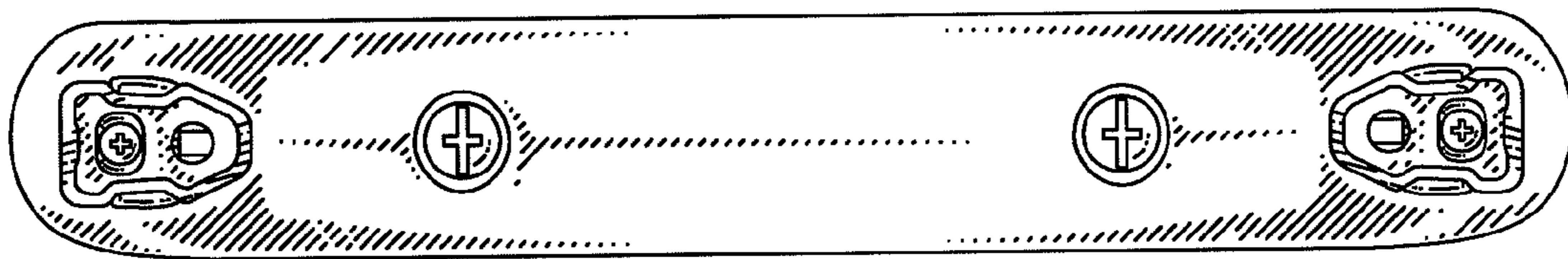


FIG. 7