



US00D648131S

(12) **United States Design Patent**  
**Goodman et al.**

(10) **Patent No.:** **US D648,131 S**

(45) **Date of Patent:** **\*\* \*Nov. 8, 2011**

(54) **BASKET**

(75) Inventors: **Sheldon H. Goodman**, Solon, OH (US);  
**Omer I. Sazir**, Brooklyn, NY (US);  
**Elizabeth A. Cho**, Strongsville, OH  
(US)

(73) Assignee: **Spectrum Diversified Designs, Inc.**,  
Streetsboro, OH (US)

(\*) Notice: This patent is subject to a terminal disclaimer.

(\*\*) Term: **14 Years**

(21) Appl. No.: **29/386,613**

(22) Filed: **Mar. 3, 2011**

**Related U.S. Application Data**

(63) Continuation-in-part of application No. 29/367,899,  
filed on Aug. 14, 2010, now Pat. No. Des. 634,122.

(51) **LOC (9) Cl.** ..... **03-01**

(52) **U.S. Cl.** ..... **D3/306**

(58) **Field of Classification Search** ..... D3/304,  
D3/306-309, 314, 315; D7/601-602; 220/485,  
220/586; D6/566-567, 537, 540, 574, 572,  
D6/510; 211/13.1, 41.3, 41.4, 86.01, 88.01,  
211/134, 126.1

See application file for complete search history.

(56) **References Cited**

**U.S. PATENT DOCUMENTS**

D193,215 S	7/1962	Fredrick
4,337,872 A	7/1982	Wright
D296,601 S	7/1988	Chap
D382,710 S	8/1997	Henderson
D399,381 S	10/1998	Hoernig
D412,080 S	7/1999	Emery
D419,771 S	2/2000	Chen
D420,513 S	2/2000	Chen
D434,718 S	12/2000	Kreisler
D443,159 S	6/2001	Ferrer Beltran
D444,012 S	6/2001	Ferrer Beltran
D472,750 S	4/2003	Clucas

D477,144 S	7/2003	Remmers
D507,108 S	7/2005	Suero, Jr.
D526,454 S	8/2006	Plikuhn
D536,873 S *	2/2007	Thorsteinsson et al. .... D3/306
D554,417 S *	11/2007	Thorsteinsson et al. .... D6/566
D554,419 S *	11/2007	Thompson et al. .... D6/566
D578,762 S	10/2008	Smith et al.
D608,598 S	1/2010	Goodman et al.
D608,599 S	1/2010	Goodman et al.
D616,252 S	5/2010	Goodman et al.
D616,254 S	5/2010	Goodman et al.
D616,255 S	5/2010	Goodman et al.

(Continued)

*Primary Examiner* — Elizabeth Albert

*Assistant Examiner* — Kelley Donnelly

(74) *Attorney, Agent, or Firm* — Pearne & Gordon LLP

(57) **CLAIM**

The ornamental design for a basket, as shown and described.

**DESCRIPTION**

FIG. 1 is a perspective view of a basket showing our new design;

FIG. 2 is a top plan view thereof;

FIG. 3 is a right side elevational view thereof, the left side elevational view being identical;

FIG. 4 is a front elevational view thereof;

FIG. 5 is a bottom plan view thereof;

FIG. 6 is a perspective view of a second embodiment of a modified square basket of the design shown in FIG. 1;

FIG. 7 is a top plan view thereof;

FIG. 8 is a front and side elevational view thereof;

FIG. 9 is a bottom plan view thereof;

FIG. 10 is a perspective view of a third embodiment of a modified rectangular basket of the design shown in FIG. 1;

FIG. 11 is a top plan view thereof;

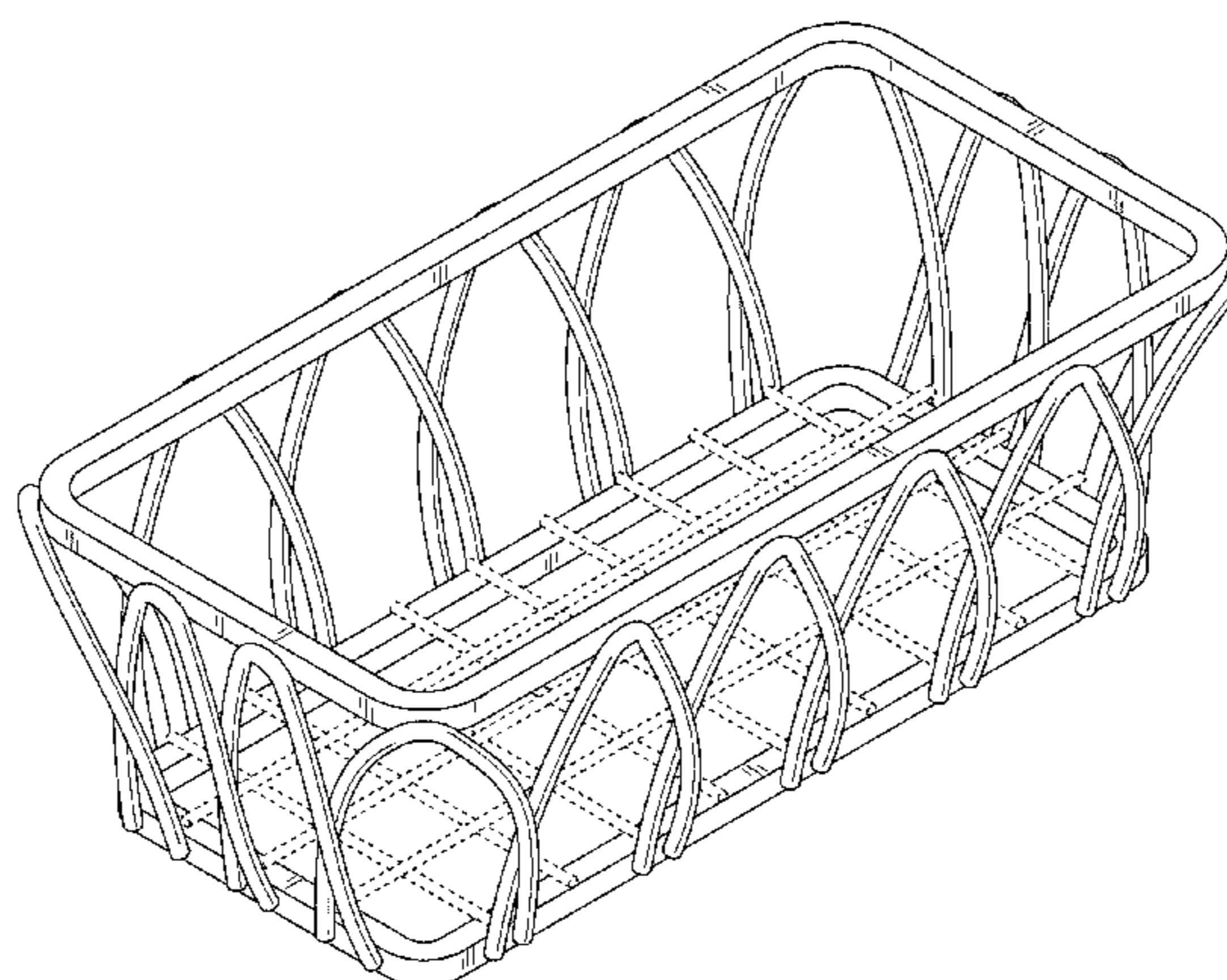
FIG. 12 is a right side elevational view, the left side elevational view being identical;

FIG. 13 is a front elevational view thereof; and,

FIG. 14 is a bottom plan view thereof.

The dotted-line showing in the drawings illustrates environmental matter and forms no part of the claimed design.

**1 Claim, 6 Drawing Sheets**



# US D648,131 S

Page 2

---

## U.S. PATENT DOCUMENTS

D616,680 S *	6/2010	Snider .....	D6/513	D634,121 S *	3/2011	Goodman et al. ....	D3/306
D622,107 S	8/2010	Goodman et al.		D634,122 S *	3/2011	Goodman et al. ....	D3/306
D629,610 S	12/2010	Goodman et al.		D636,999 S *	5/2011	Goodman et al. ....	D3/306
D629,656 S	12/2010	Goodman et al.		D637,000 S *	5/2011	Goodman et al. ....	D3/306

\* cited by examiner

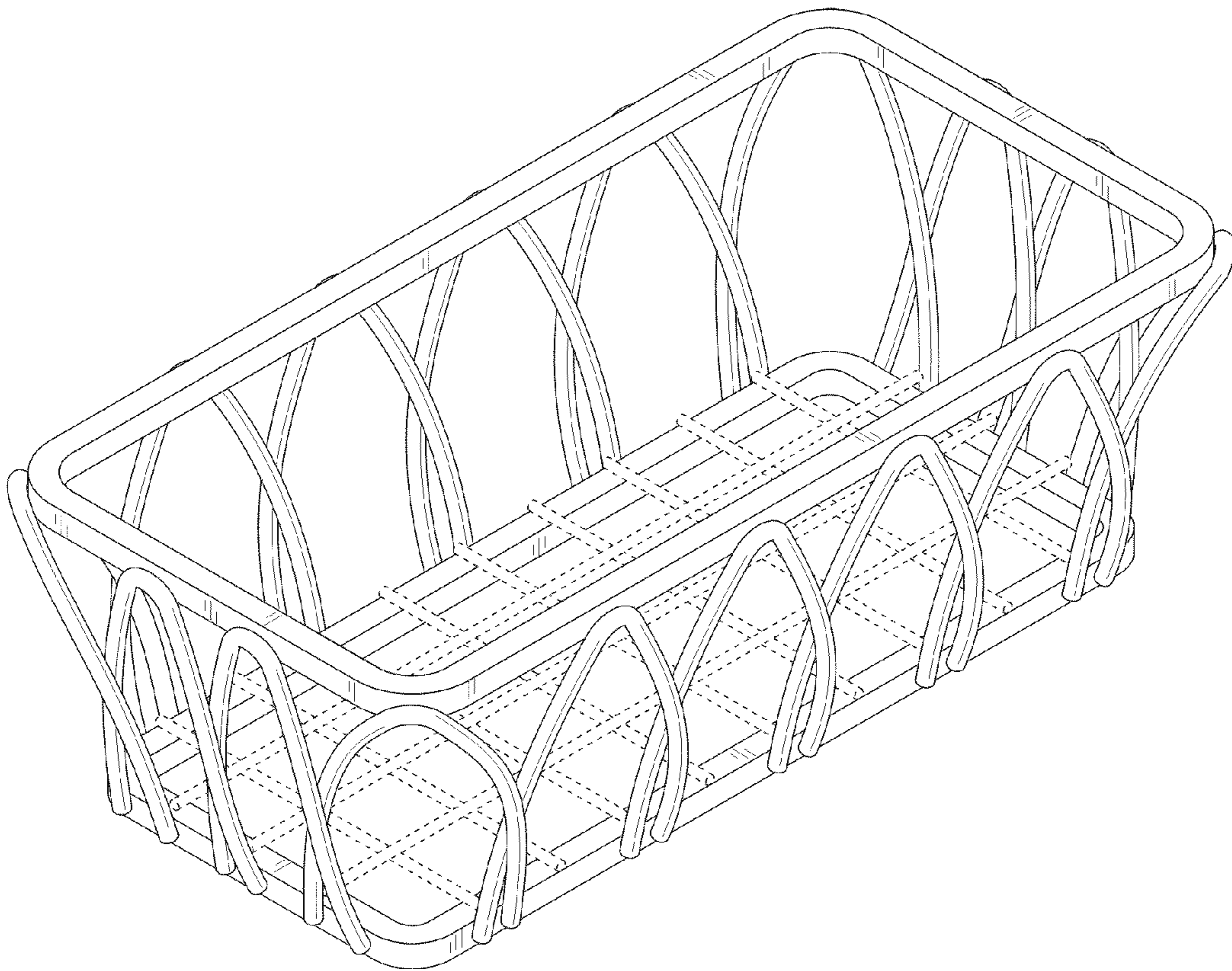
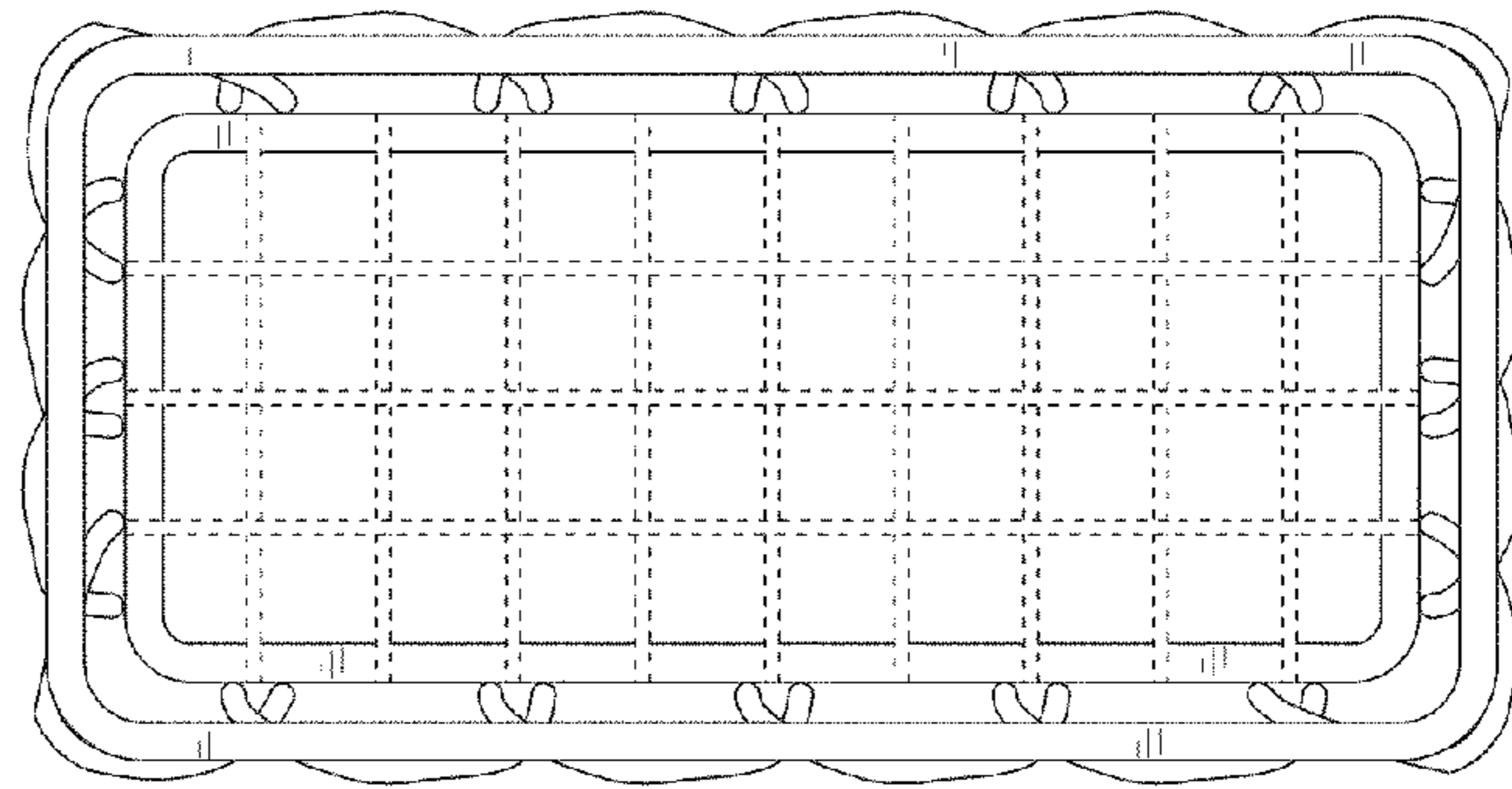
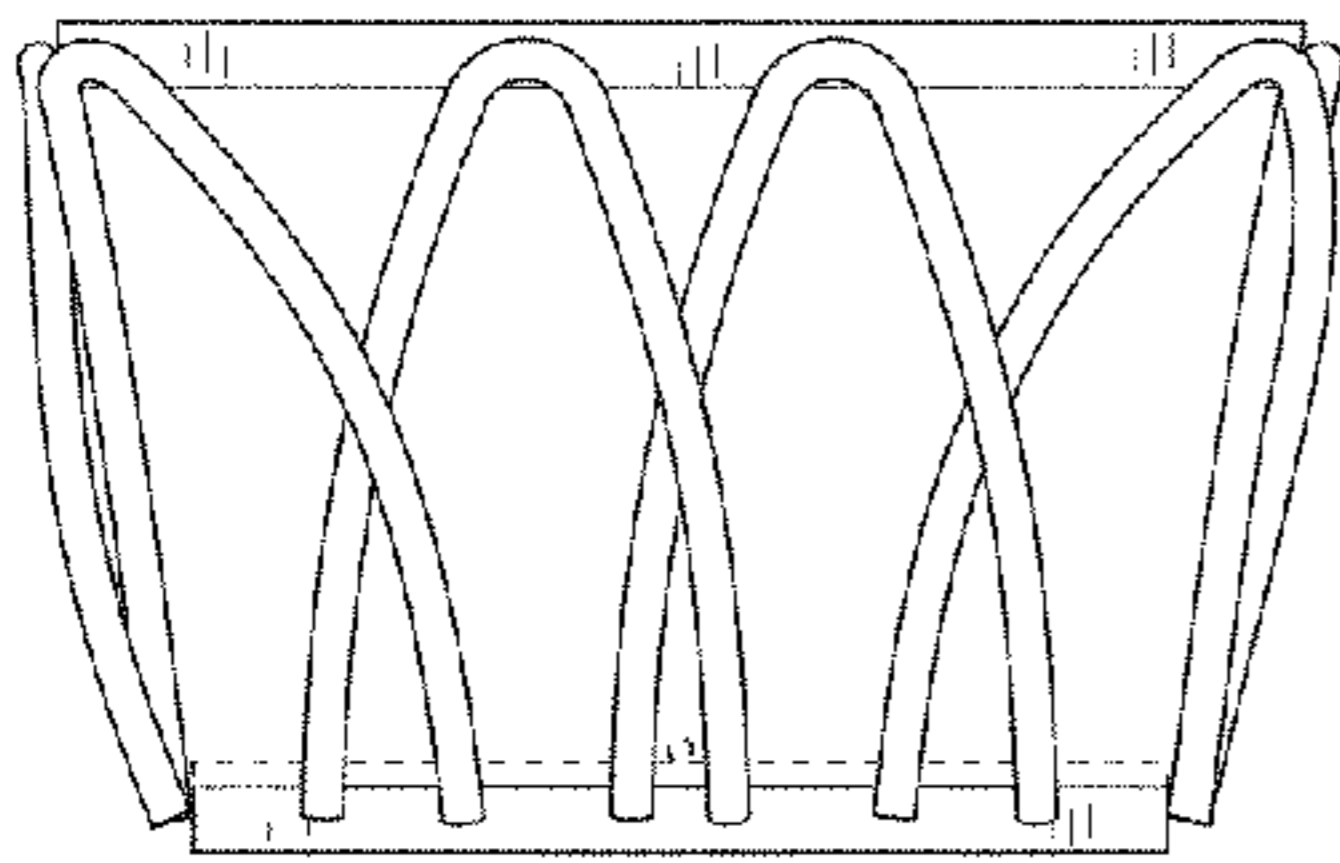


FIG. 1

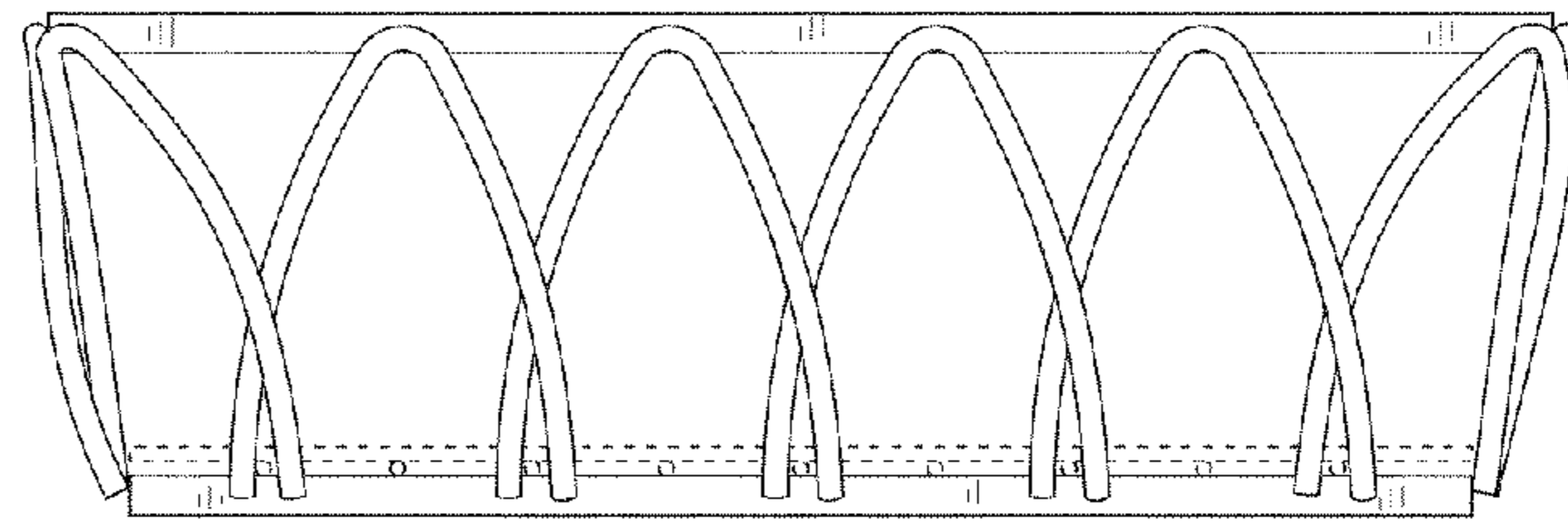




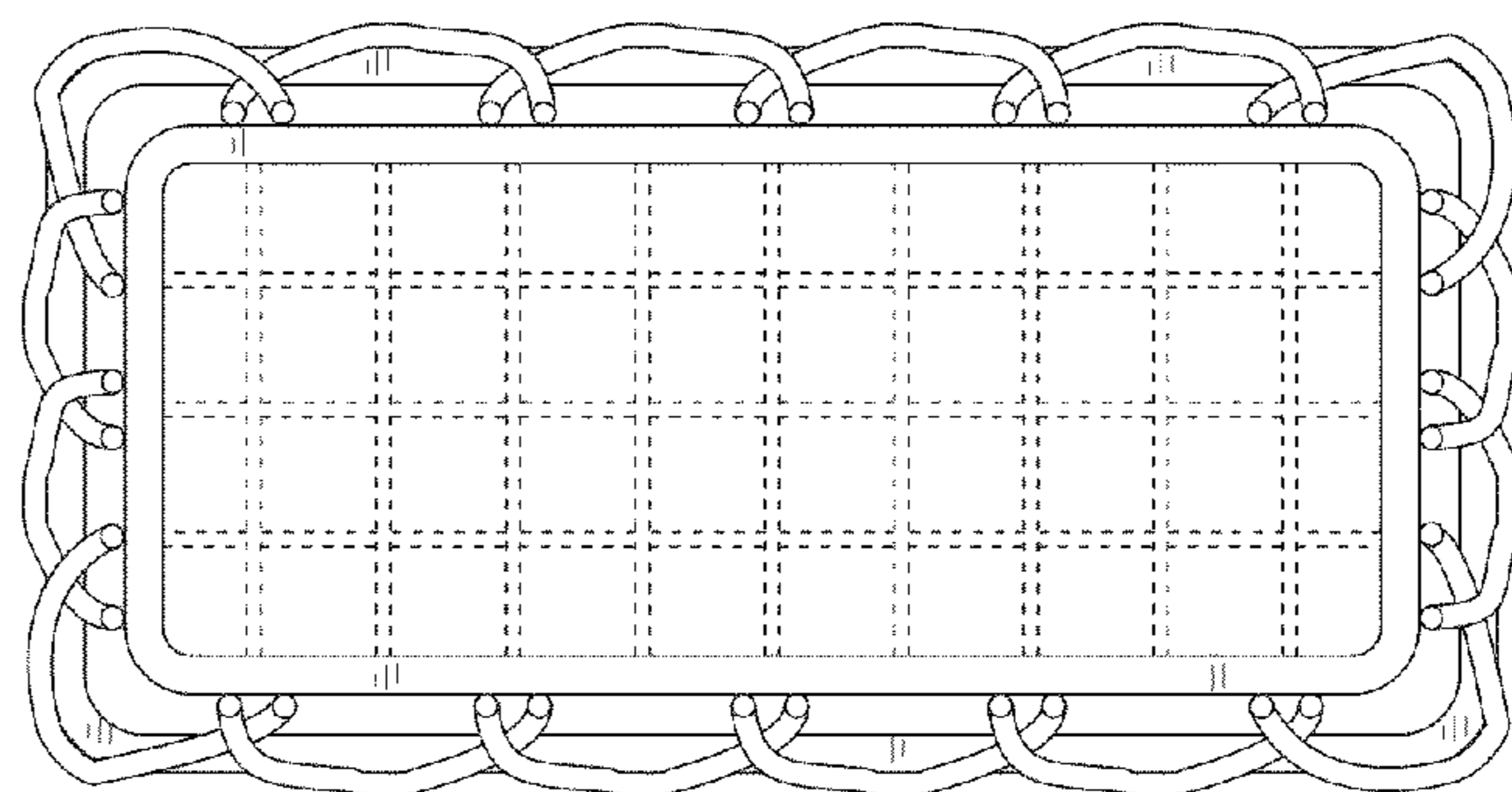
**FIG. 2**



**FIG. 3**



**FIG. 4**



**FIG. 5**

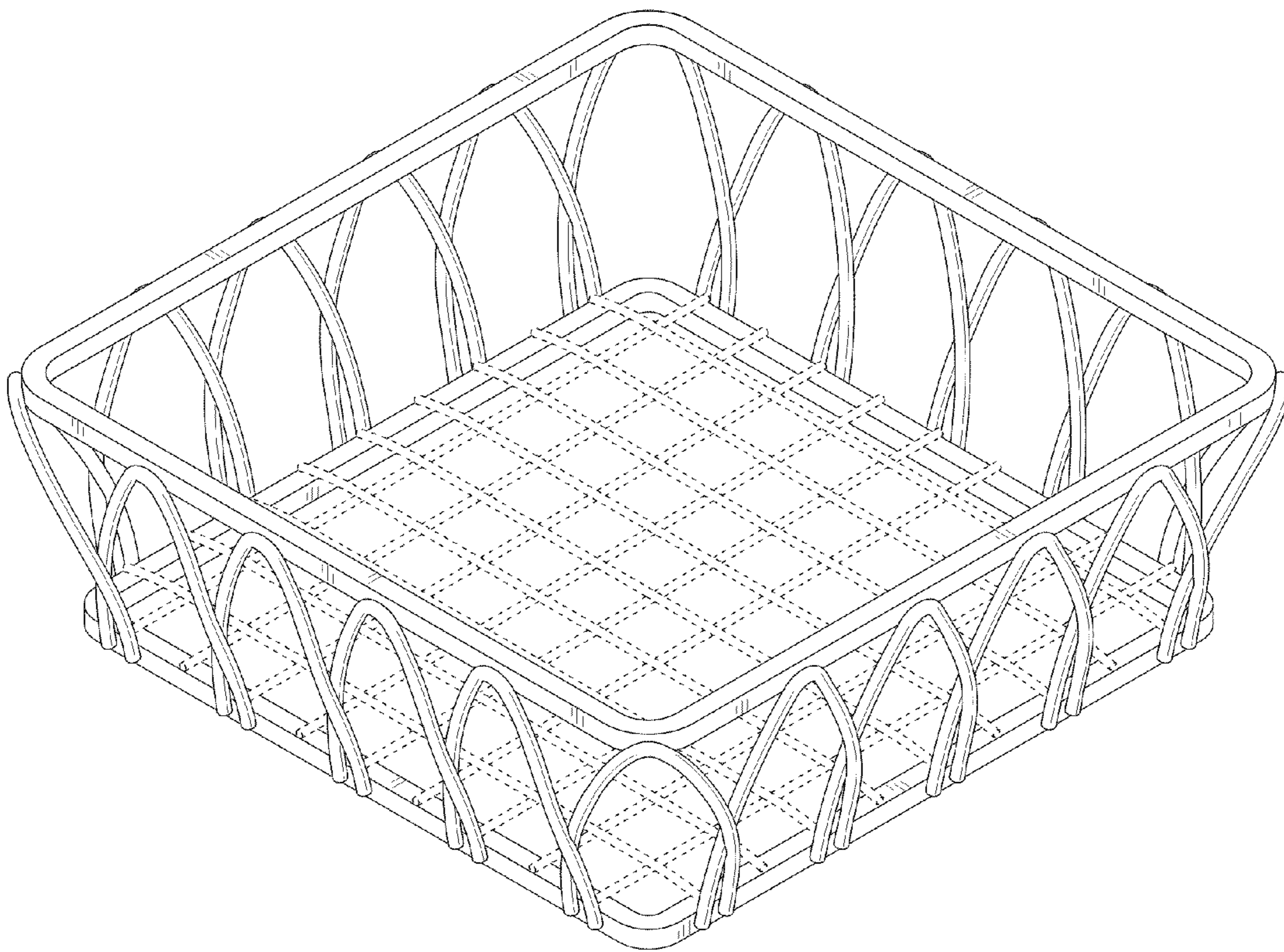
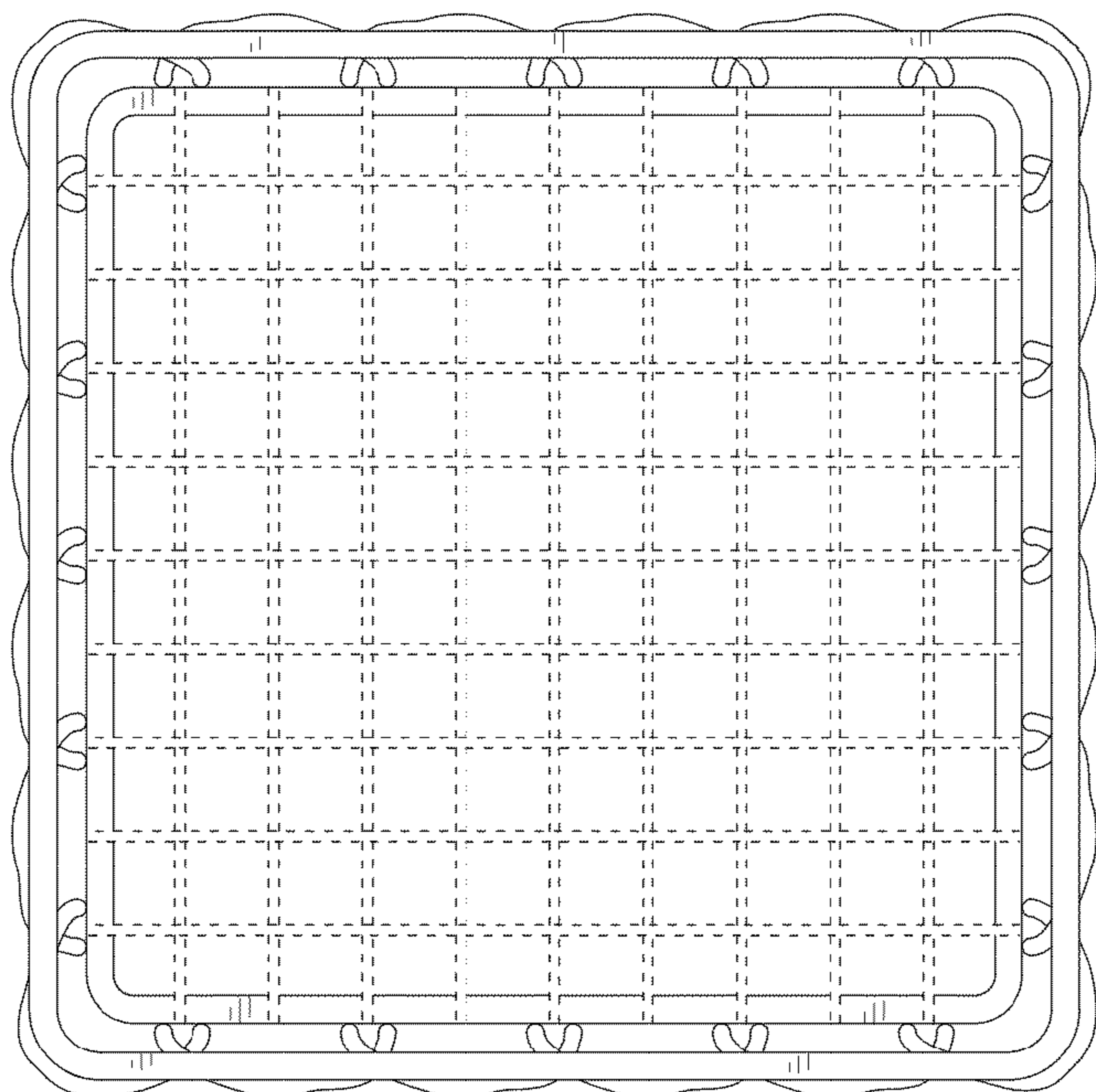
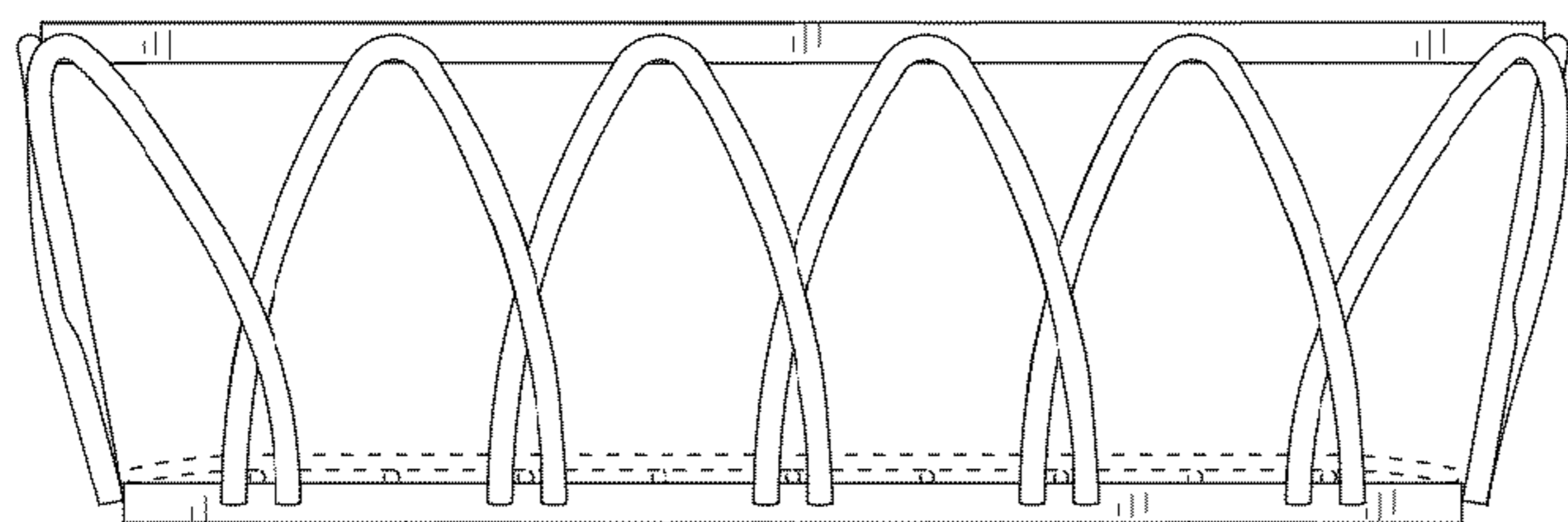


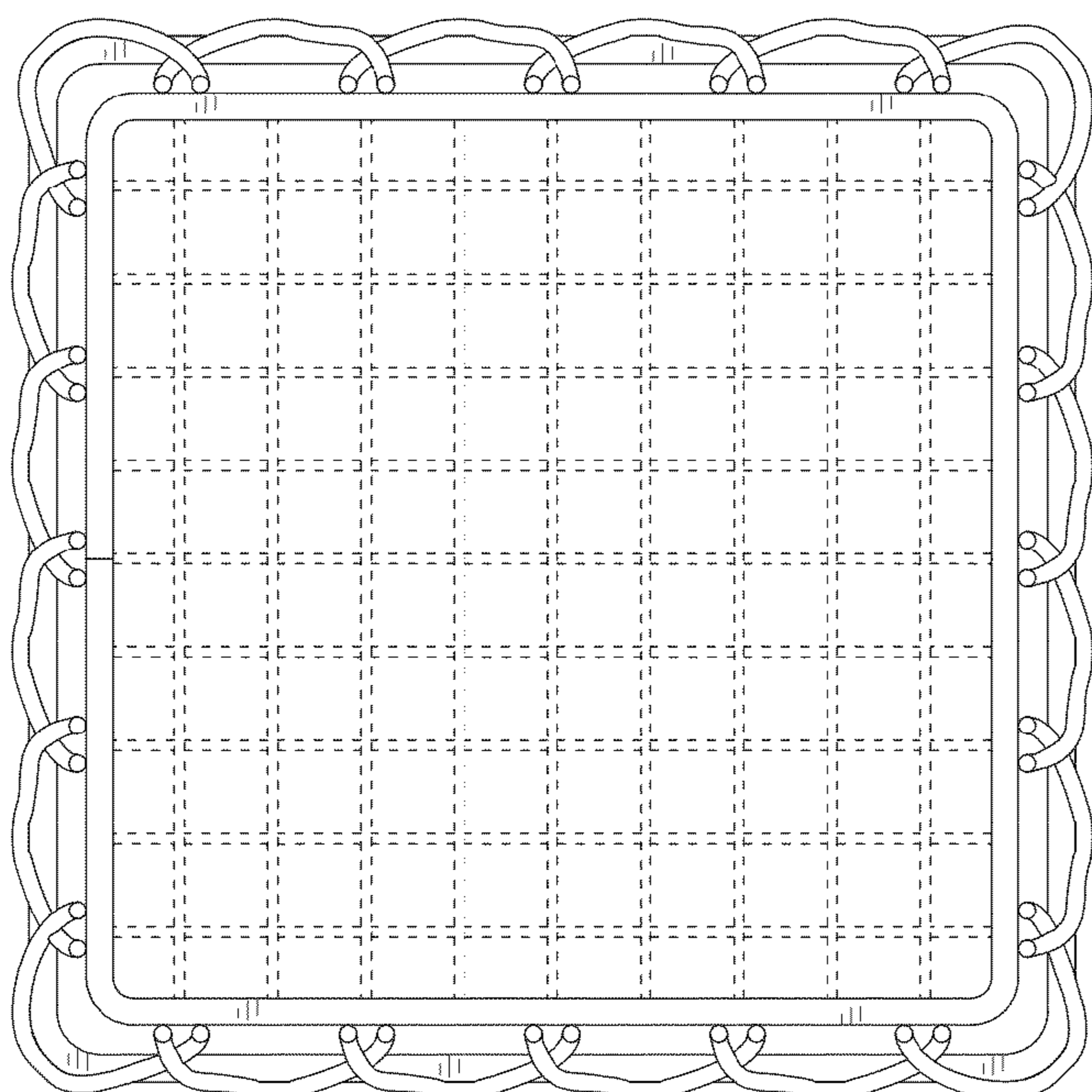
FIG. 6



**FIG. 7**

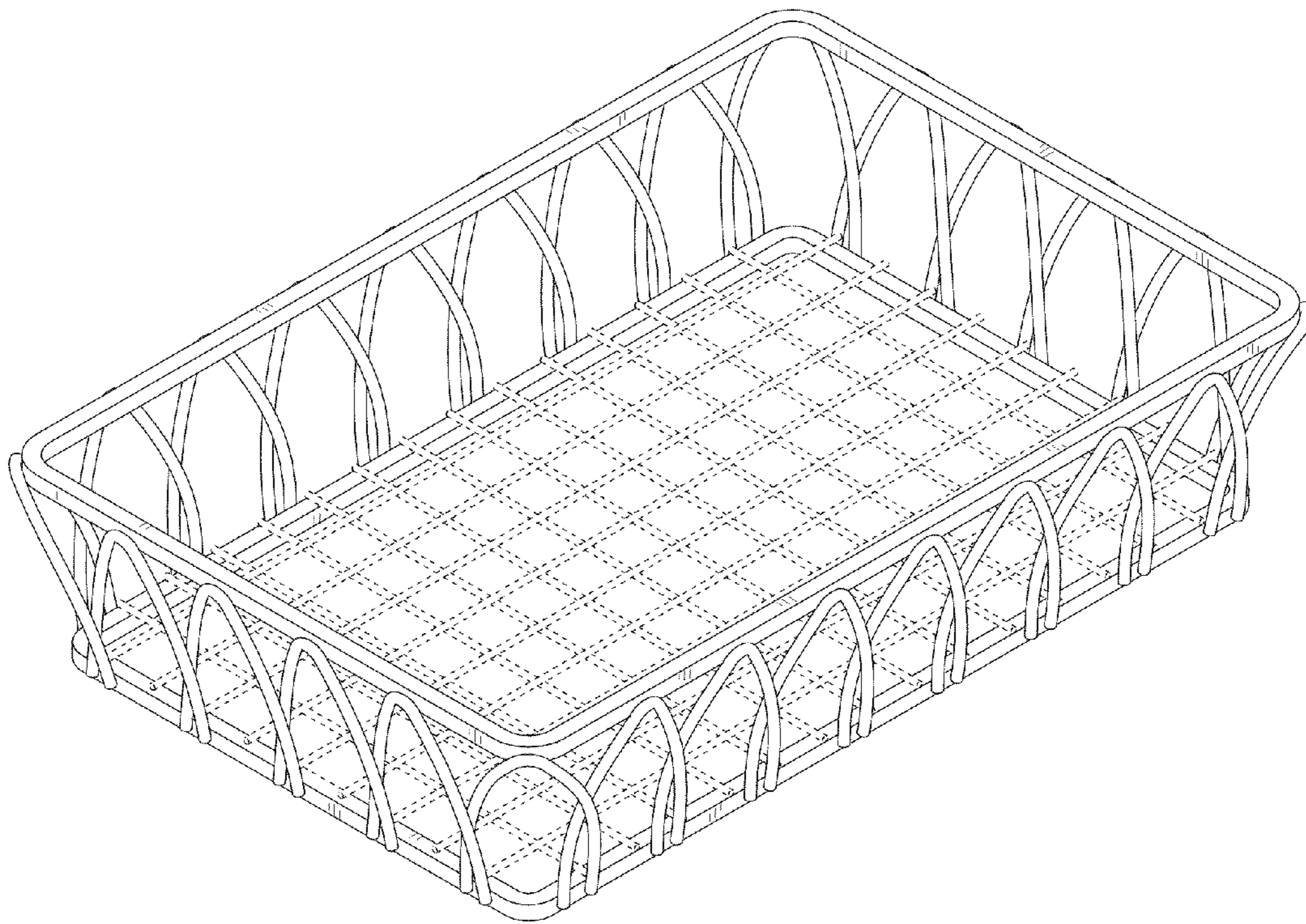


**FIG. 8**



**FIG. 9**





**FIG. 10**

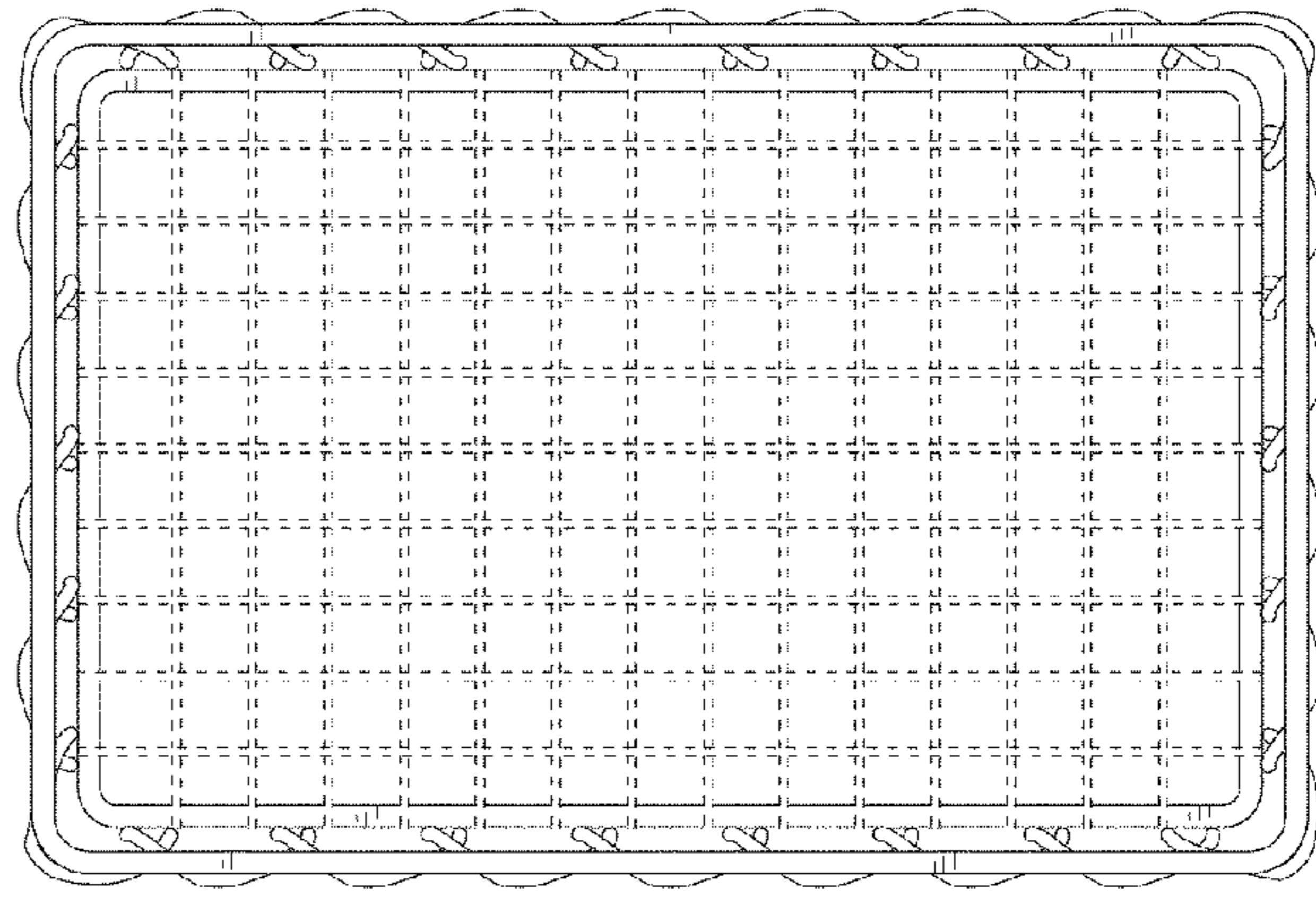


FIG. 11

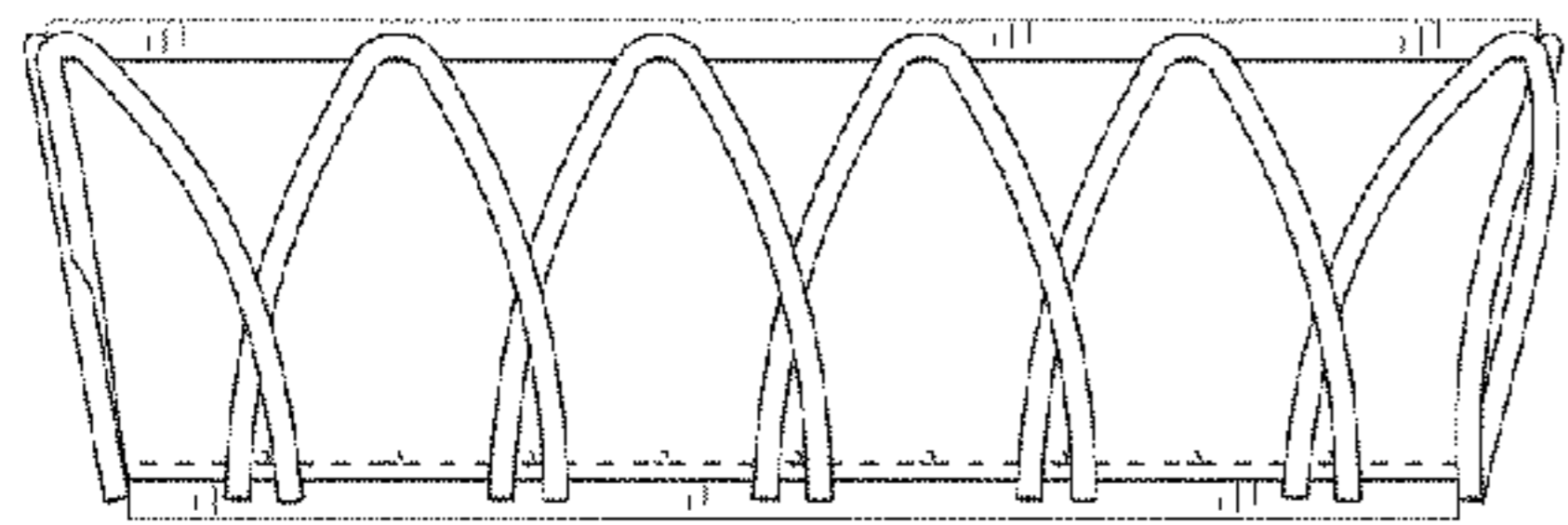


FIG. 12

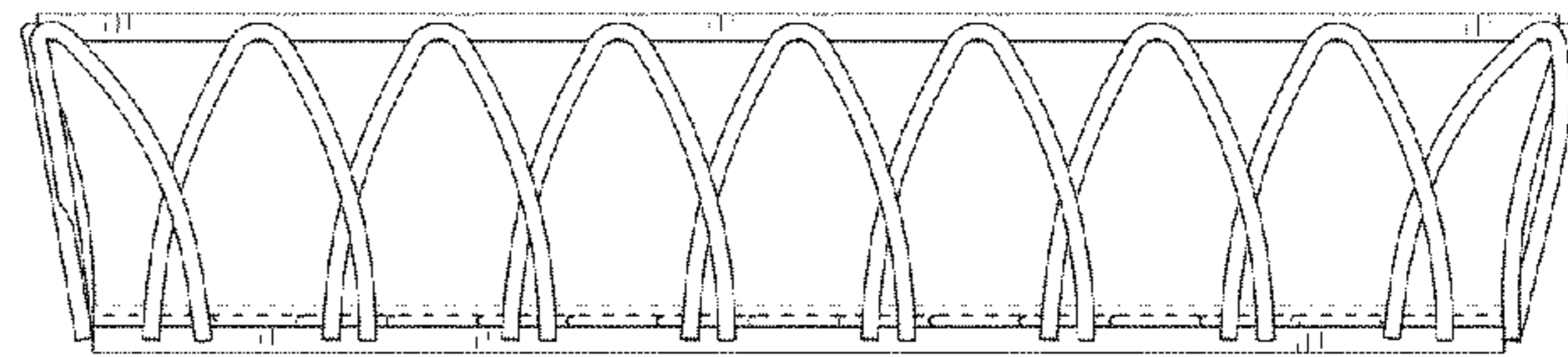


FIG. 13

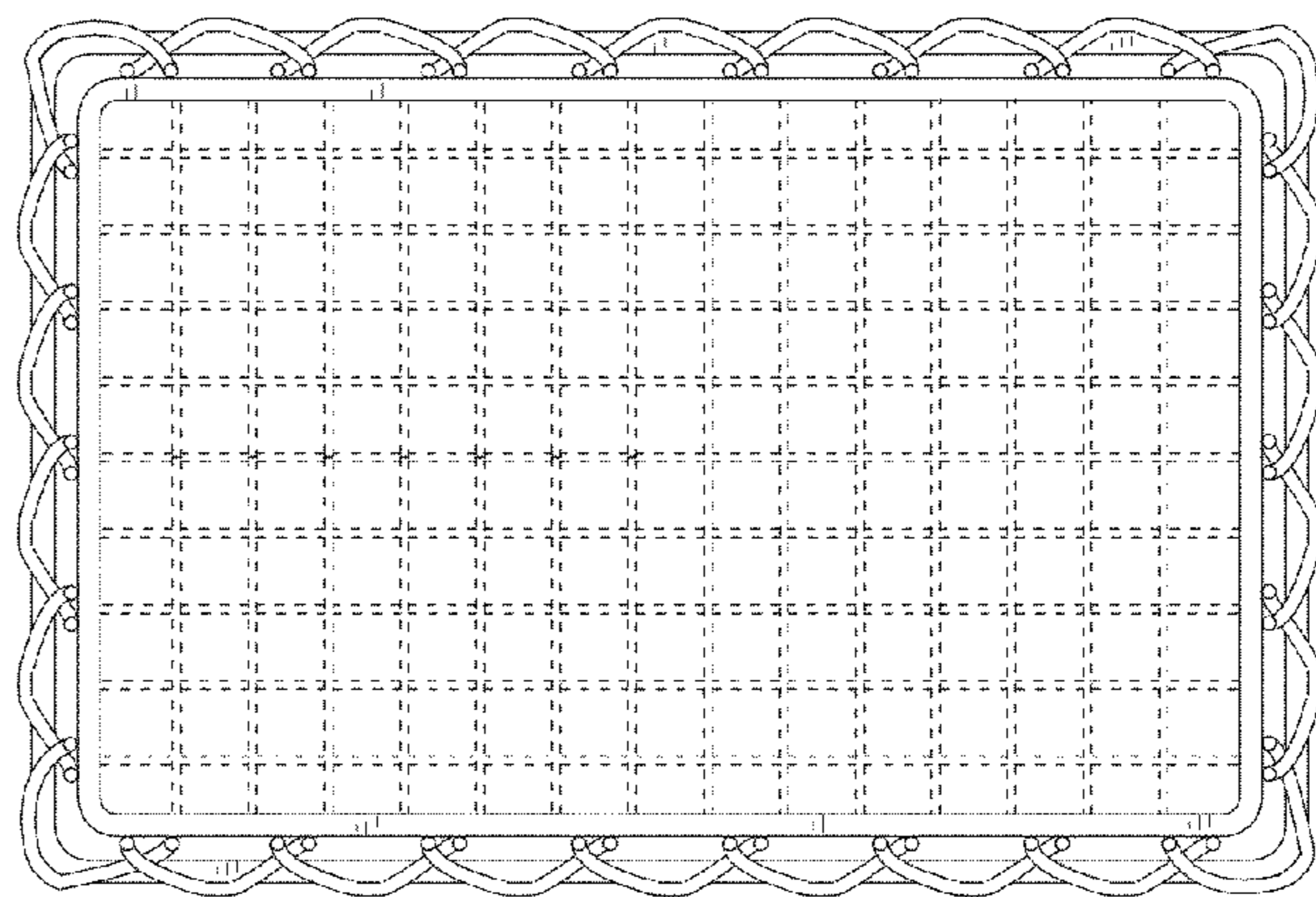


FIG. 14