



US00D648130S

(12) **United States Design Patent**
Goodman et al.

(10) **Patent No.:** **US D648,130 S**

(45) **Date of Patent:** **** *Nov. 8, 2011**

- (54) **BASKET**
- (75) Inventors: **Sheldon H. Goodman**, Solon, OH (US);
Omer I. Sazir, Cleveland, OH (US)
- (73) Assignee: **Spectrum Diversified Designs, Inc.**,
Streetsboro, OH (US)
- (*) Notice: This patent is subject to a terminal disclaimer.
- (**) Term: **14 Years**
- (21) Appl. No.: **29/386,287**
- (22) Filed: **Feb. 28, 2011**

D399,381 S	10/1998	Hoernig	
D412,080 S	7/1999	Emery et al.	
D419,771 S	2/2000	Chen	
D420,513 S	2/2000	Chen	
D433,286 S	11/2000	Goodman et al.	
D434,718 S	12/2000	Kreisler	
D438,432 S	3/2001	Goodman et al.	
D444,012 S	6/2001	Ferrer Beltran	
D507,108 S	7/2005	Suerto, Jr.	
D519,325 S	4/2006	Goodman et al.	
D608,598 S	1/2010	Goodman et al.	
D608,599 S	1/2010	Goodman et al.	
D616,252 S	5/2010	Goodman et al.	
D616,254 S	5/2010	Goodman et al.	
D616,255 S	5/2010	Goodman et al.	
D622,107 S	8/2010	Goodman et al.	
D629,610 S	* 12/2010	Goodman et al. D3/306
D629,656 S	* 12/2010	Goodman et al. D7/601
D634,121 S	* 3/2011	Goodman et al. D3/306
D635,362 S	* 4/2011	Goodman et al. D3/306
D636,999 S	* 5/2011	Goodman et al. D3/306
D637,000 S	* 5/2011	Goodman et al. D3/306

Related U.S. Application Data

- (60) Division of application No. 29/377,533, filed on Oct. 22, 2010, now Pat. No. Des. 635,362, which is a continuation-in-part of application No. 29/368,306, filed on Aug. 21, 2010, now Pat. No. Des. 629,610.
- (51) **LOC (9) Cl.** **03-01**
- (52) **U.S. Cl.** **D3/306**
- (58) **Field of Classification Search** D3/304,
D3/306-309, 314, 315; D7/601-602; 220/485,
220/586; D6/566-567, 537, 540, 574, 572,
D6/510; 211/13.1, 41.3, 41.4, 86.01, 88.01,
211/134, 126.1
See application file for complete search history.

* cited by examiner

Primary Examiner — Elizabeth Albert
Assistant Examiner — Kelley Donnelly
 (74) *Attorney, Agent, or Firm* — Pearne & Gordon LLP

CLAIM

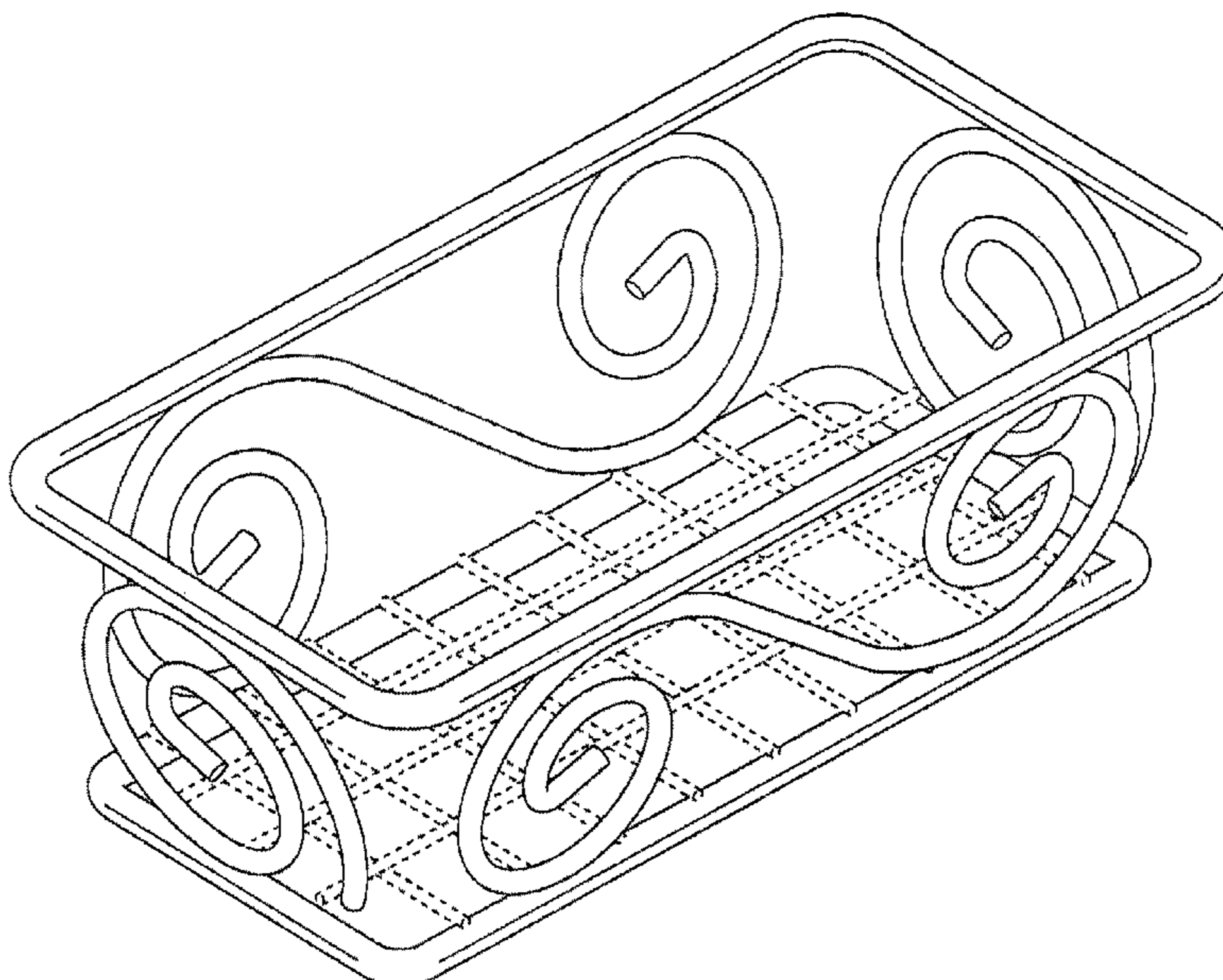
(57) The ornamental design for a basket, as shown and described.

DESCRIPTION

FIG. 1 is a perspective view of a basket showing our new design;
 FIG. 2 is a top plan view thereof;
 FIG. 3 is a front elevational view thereof;
 FIG. 4 is a side elevational view thereof; and,
 FIG. 5 is a bottom plan view thereof.
 The dotted-line showing in the drawings illustrates environmental matter and forms no part of the claimed design.

1 Claim, 2 Drawing Sheets

- (56) **References Cited**
- U.S. PATENT DOCUMENTS
- D296,601 S * 7/1988 Chap D3/306
- D359,593 S 6/1995 Schultz
- D371,228 S 6/1996 Monin
- D382,710 S 8/1997 Henderson
- D396,346 S 7/1998 Hoernig



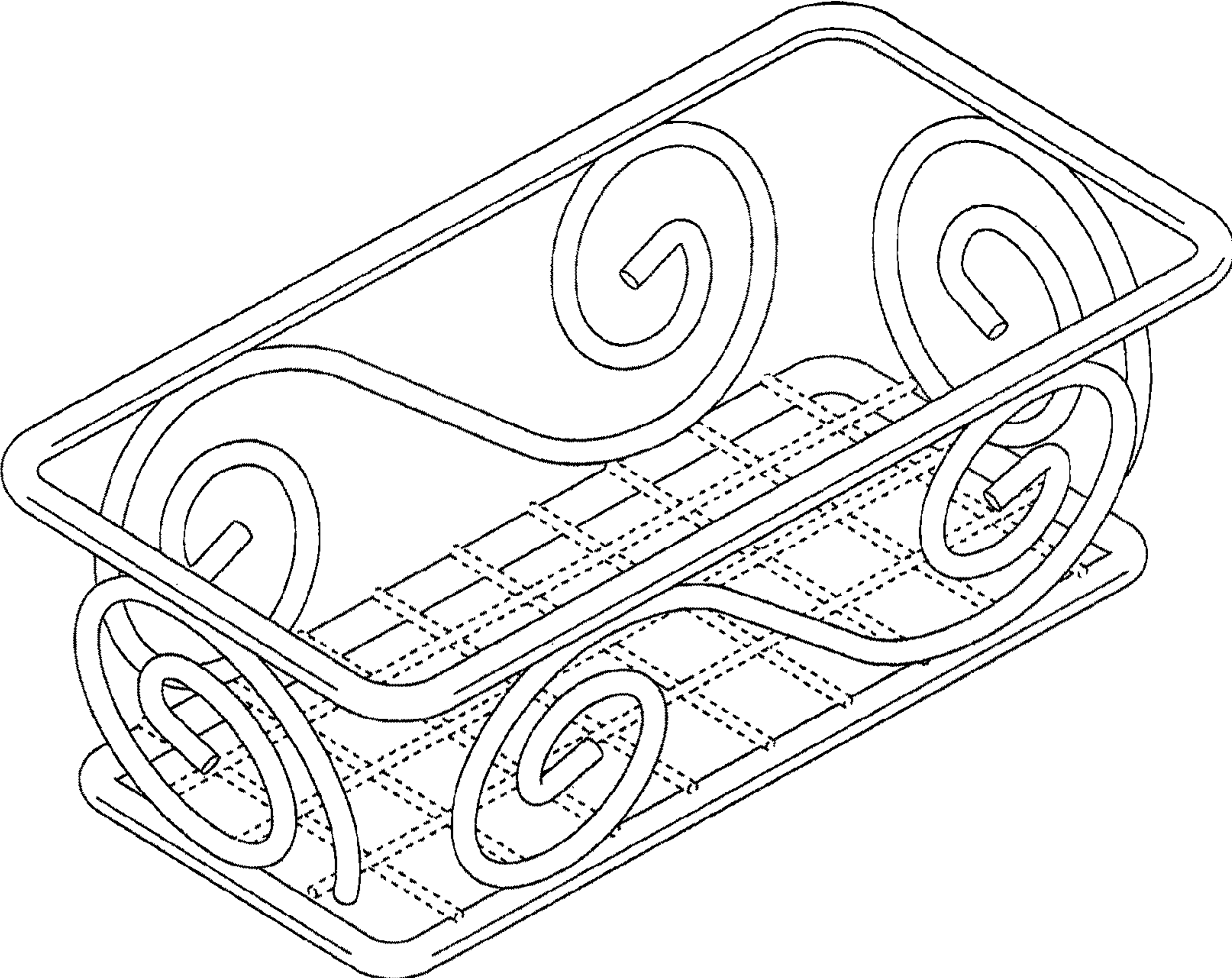


FIG. 1

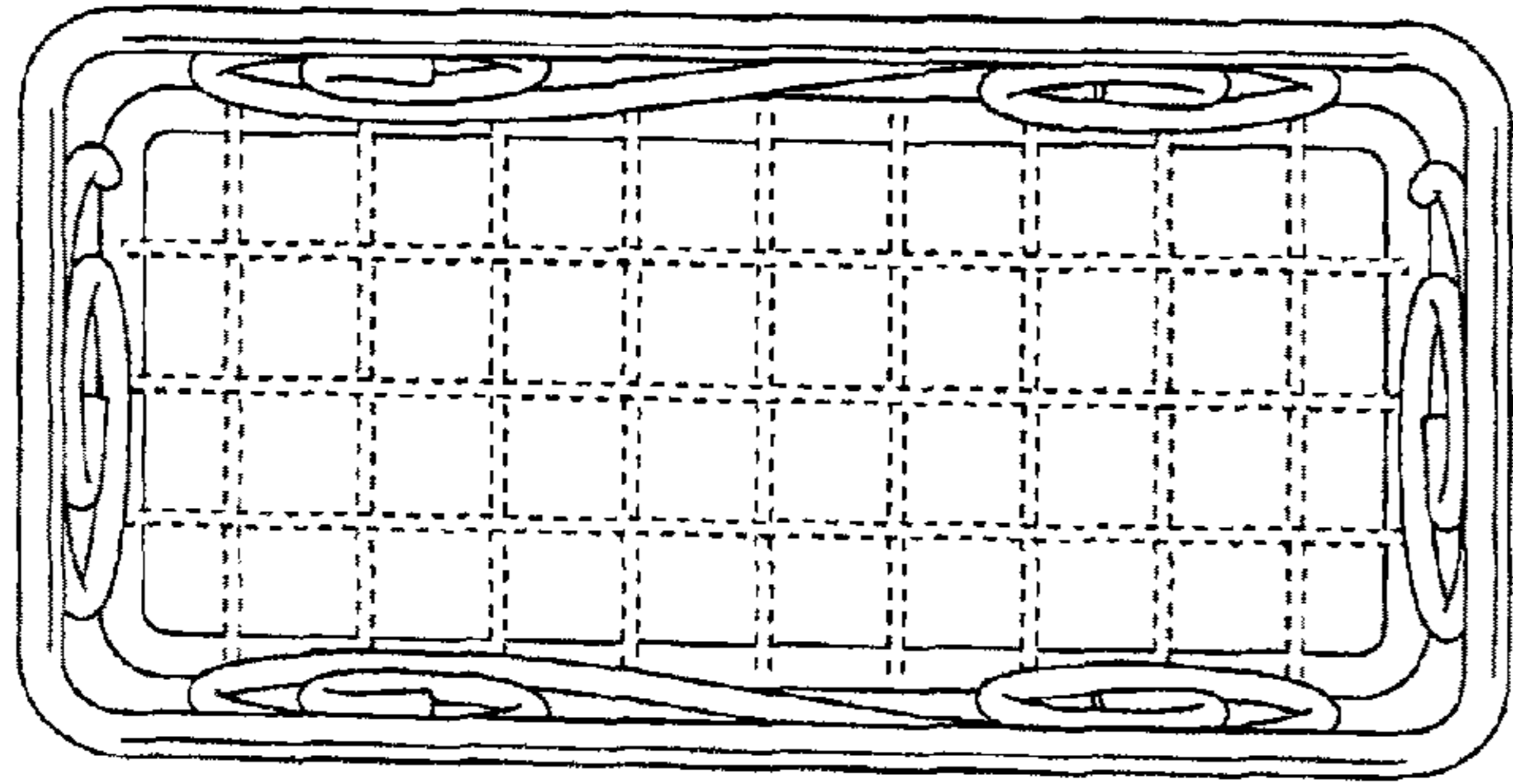


FIG. 2

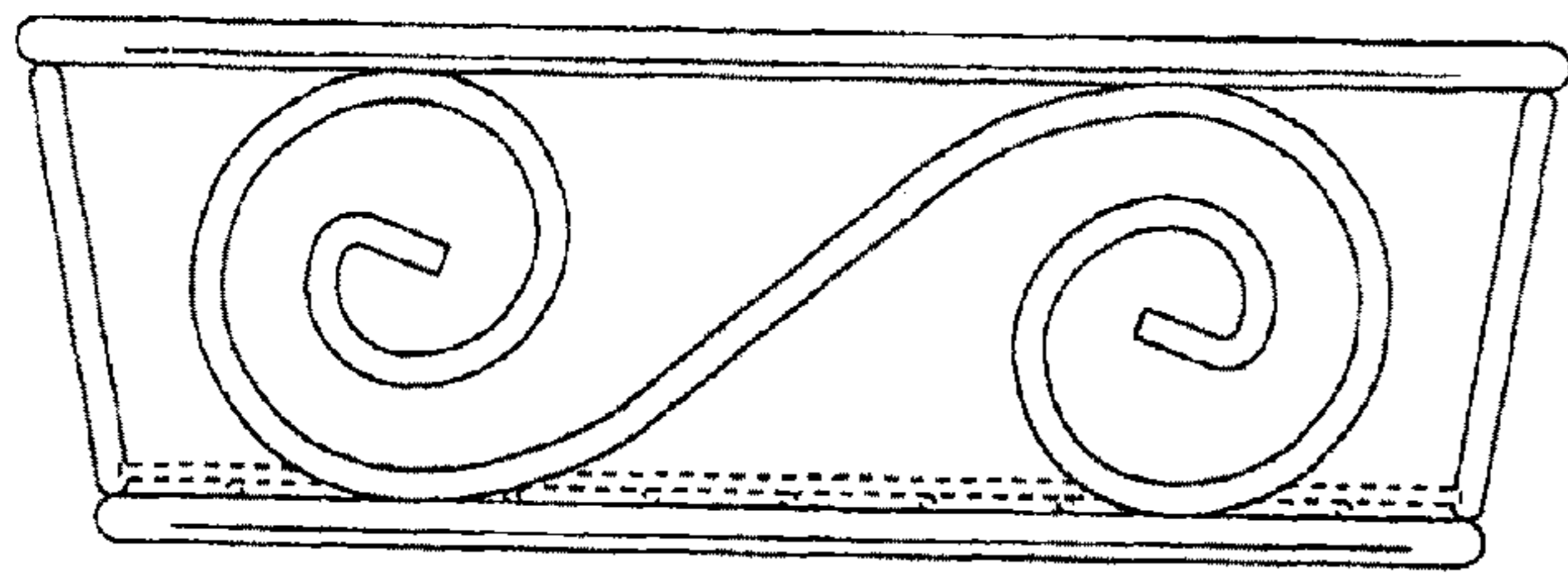


FIG. 3

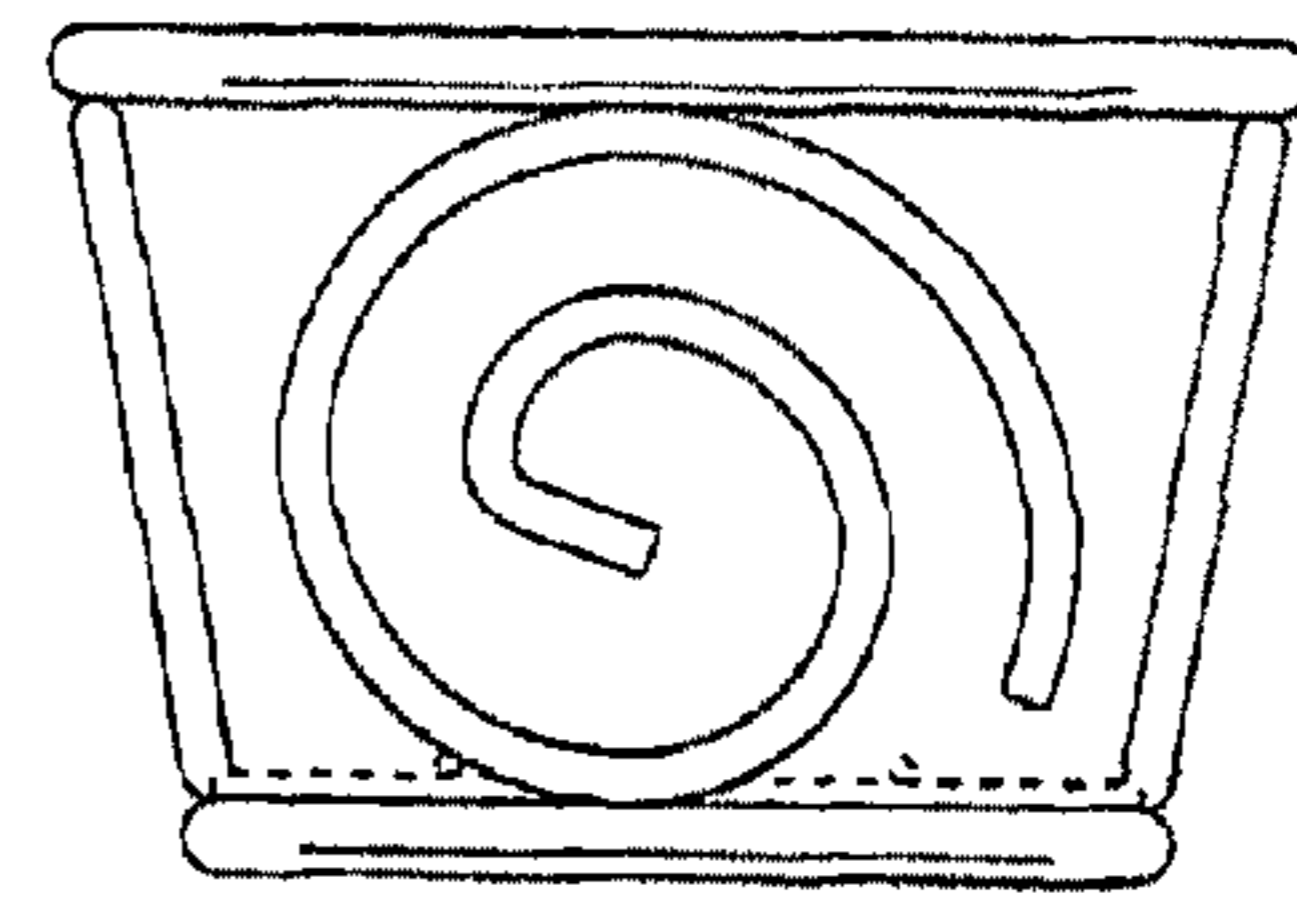


FIG. 4

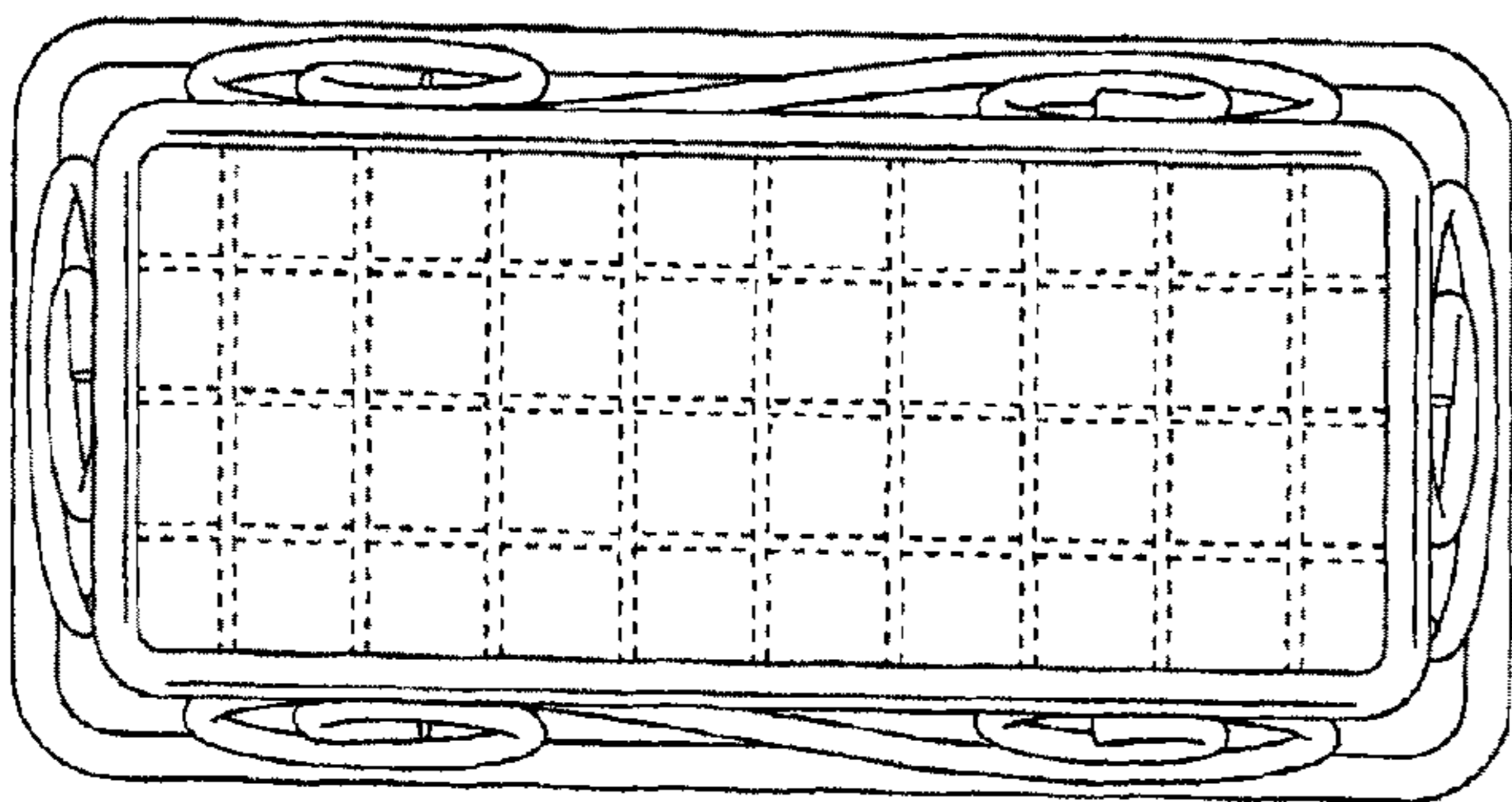


FIG. 5