



US00D648128S

(12) **United States Design Patent**  
**Clayton**

(10) **Patent No.:** **US D648,128 S**

(45) **Date of Patent:** **\*\* Nov. 8, 2011**

(54) **TOOL BOX**

(76) **Inventor:** **Brad Smythe Clayton**, Brick, NJ (US)

(\*\*) **Term:** **14 Years**

(21) **Appl. No.:** **29/354,126**

(22) **Filed:** **Jan. 20, 2010**

(51) **LOC (9) Cl.** ..... **03-01**

(52) **U.S. Cl.** ..... **D3/279; D3/905**

(58) **Field of Classification Search** ..... D3/272,  
D3/273, 276, 279, 281, 282, 291, 294, 302,  
D3/307, 318, 905; D6/445, 510; D34/19;  
190/19, 24; 206/349, 372, 373; 220/4.27;  
280/47.18, 47.19, 47.35; 312/218, 249.11,  
312/249.12, 249.9; 414/490

See application file for complete search history.

(56) **References Cited**

**U.S. PATENT DOCUMENTS**

D48,639	S	*	2/1916	Johnson	.....	D3/272
D205,522	S	*	8/1966	Doman	.....	D6/445
D205,523	S	*	8/1966	Doman	.....	D34/19
D214,163	S	*	5/1969	Smith	.....	D34/19
D232,166	S	*	7/1974	Salsgiver	.....	D34/19
4,120,549	A	*	10/1978	Bureau	.....	312/249.12
D253,229	S	*	10/1979	Spranger et al.	.....	D34/19
D273,906	S	*	5/1984	Norlin	.....	D34/19
D283,263	S	*	4/1986	Richey	.....	D34/19
D337,404	S	*	7/1993	Miles	.....	D34/19
D341,253	S	*	11/1993	Ballman et al.	.....	D3/297
5,857,757	A	*	1/1999	Bieker et al.	.....	312/351.3
D423,818	S	*	5/2000	Holcomb et al.	.....	D6/445
6,074,029	A	*	6/2000	Snoke et al.	.....	312/249.11
D430,426	S	*	9/2000	Bieker et al.	.....	D6/445
D444,930	S	*	7/2001	Brown	.....	D34/19
6,578,938	B2	*	6/2003	Norman et al.	.....	312/290

7,147,290	B2	*	12/2006	Arent et al.	.....	312/249.9
D587,047	S	*	2/2009	Kalkwarf	.....	D6/510
7,584,827	B2	*	9/2009	Doerflinger et al.	.....	188/19
7,784,887	B2	*	8/2010	Grela et al.	.....	312/218
2009/0211933	A1	*	8/2009	Chen et al.	.....	206/373
2010/0026151	A1	*	2/2010	Melkumyan et al.	.....	312/249.11

\* cited by examiner

*Primary Examiner* — Karen E Eldridge Powers

(74) *Attorney, Agent, or Firm* — Kaliko & Associates, LLC;  
Scott H. Kaliko, Esq.

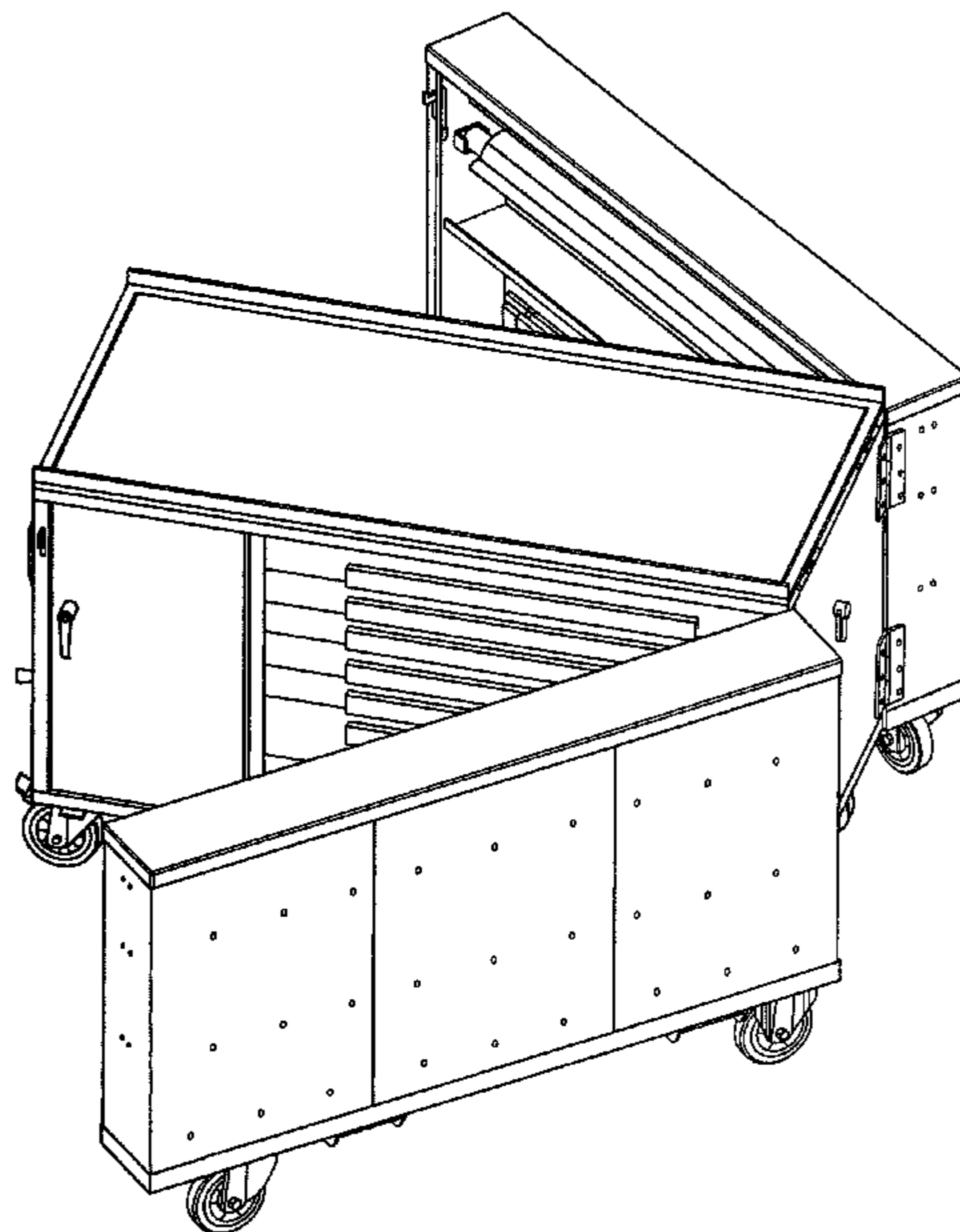
(57) **CLAIM**

An ornamental design for a tool box, as shown and described.

**DESCRIPTION**

FIG. 1 is a front perspective view of an embodiment of a tool box, shown in a fully-closed position;  
 FIG. 2 is a front perspective view of the embodiment shown in FIG. 1, in a partially-opened position with the outer portions detached from one end;  
 FIG. 3 is a front perspective view thereof of the embodiment shown in FIG. 1, in a fully-opened position;  
 FIG. 4 is a front perspective view thereof, with the top deployed over the outer portions;  
 FIG. 5 is an enlarged perspective view, showing the detail of one end; and,  
 FIG. 6 is a further enlarged perspective view, showing the detail of the end opposite that of FIG. 5.  
 The features shown in broken lines in FIGS. 3, 4, 5 and 6 are unclaimed. The broken lines demarking the far edges of the tool box in FIGS. 5 and 6 indicate that the views have been truncated to allow for enlarged detail. These lines are provided for clarity of illustration, and form no part of the claimed design.

**1 Claim, 6 Drawing Sheets**



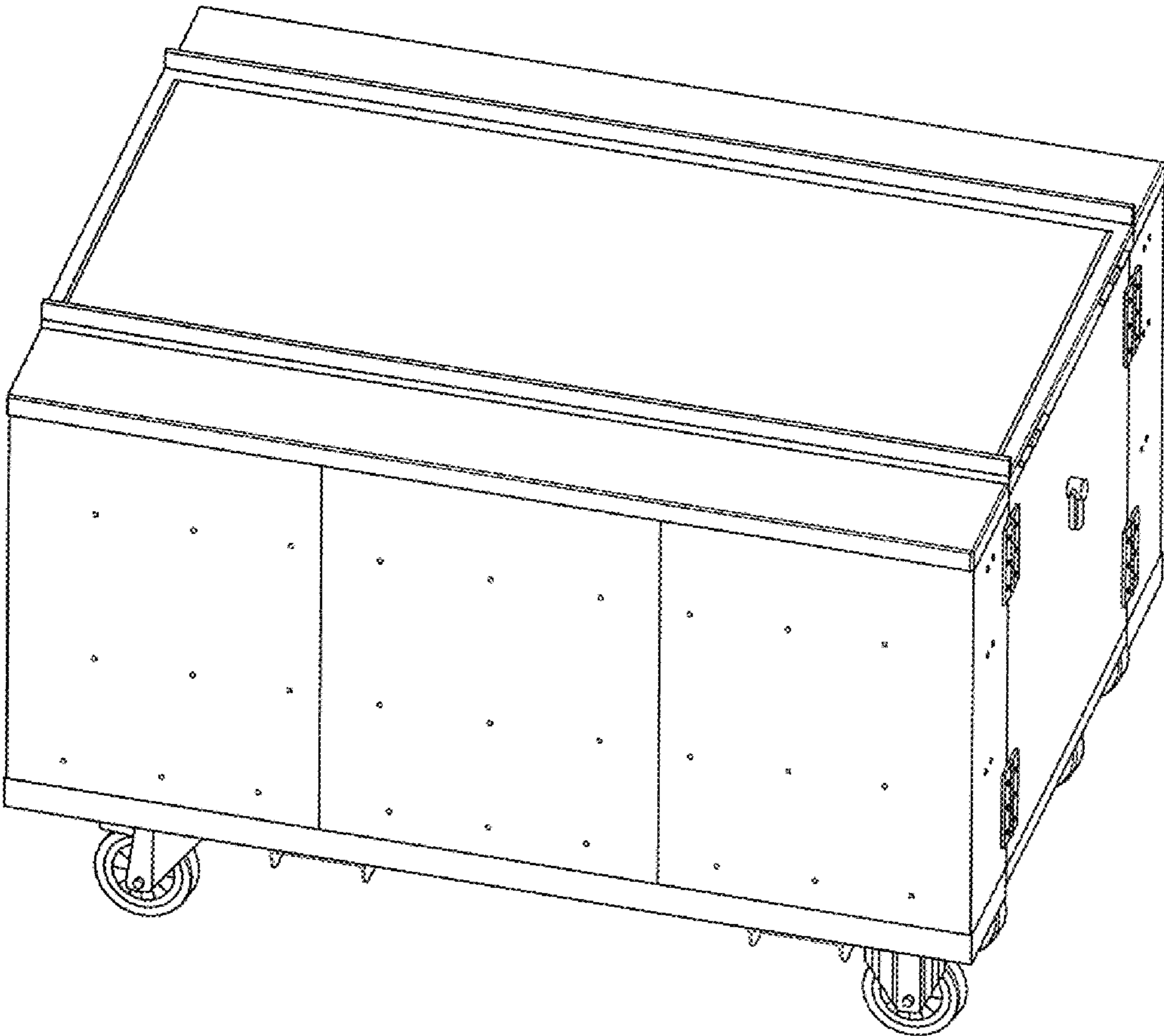


FIGURE 1

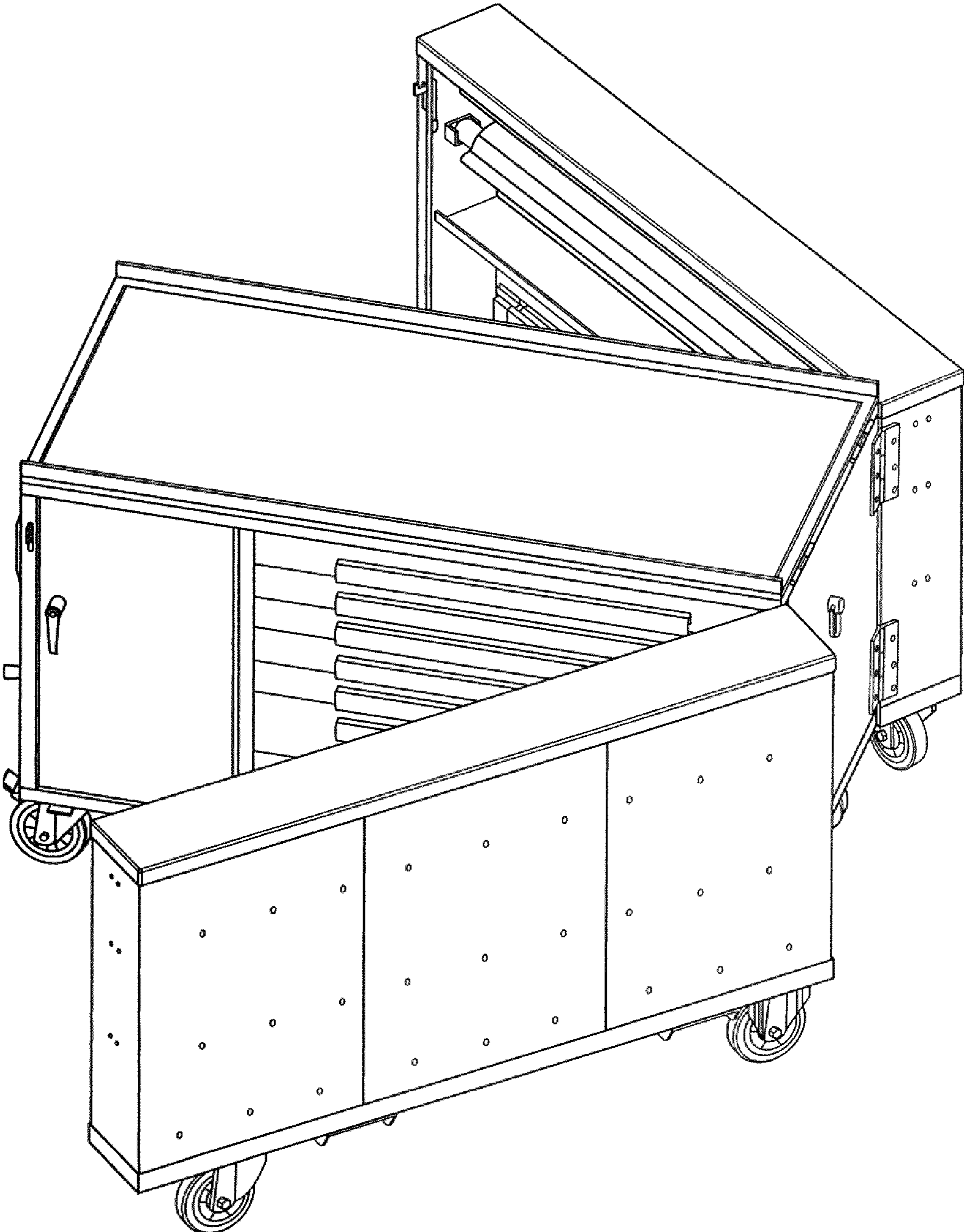


FIGURE 2

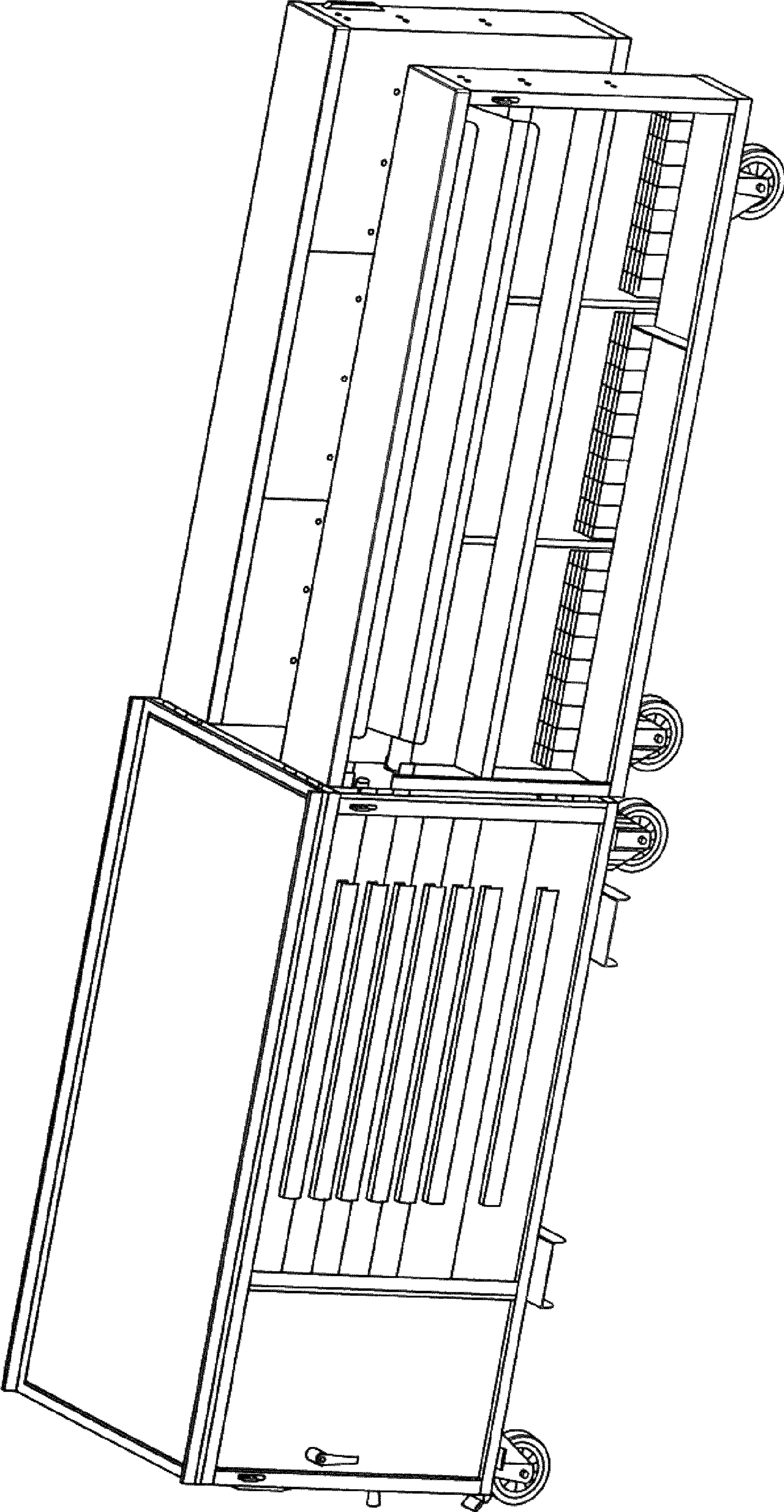


FIGURE 3

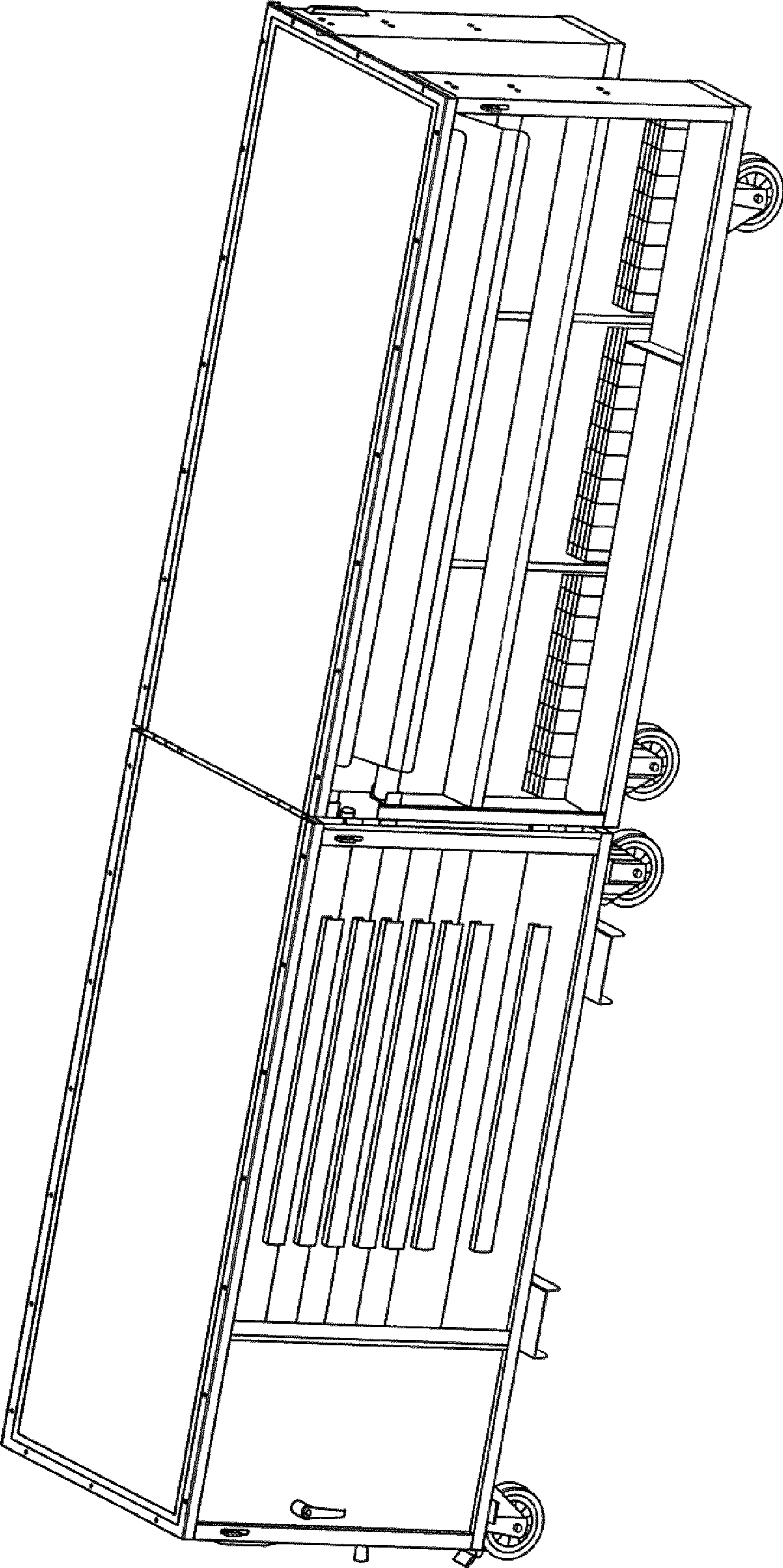


FIGURE 4

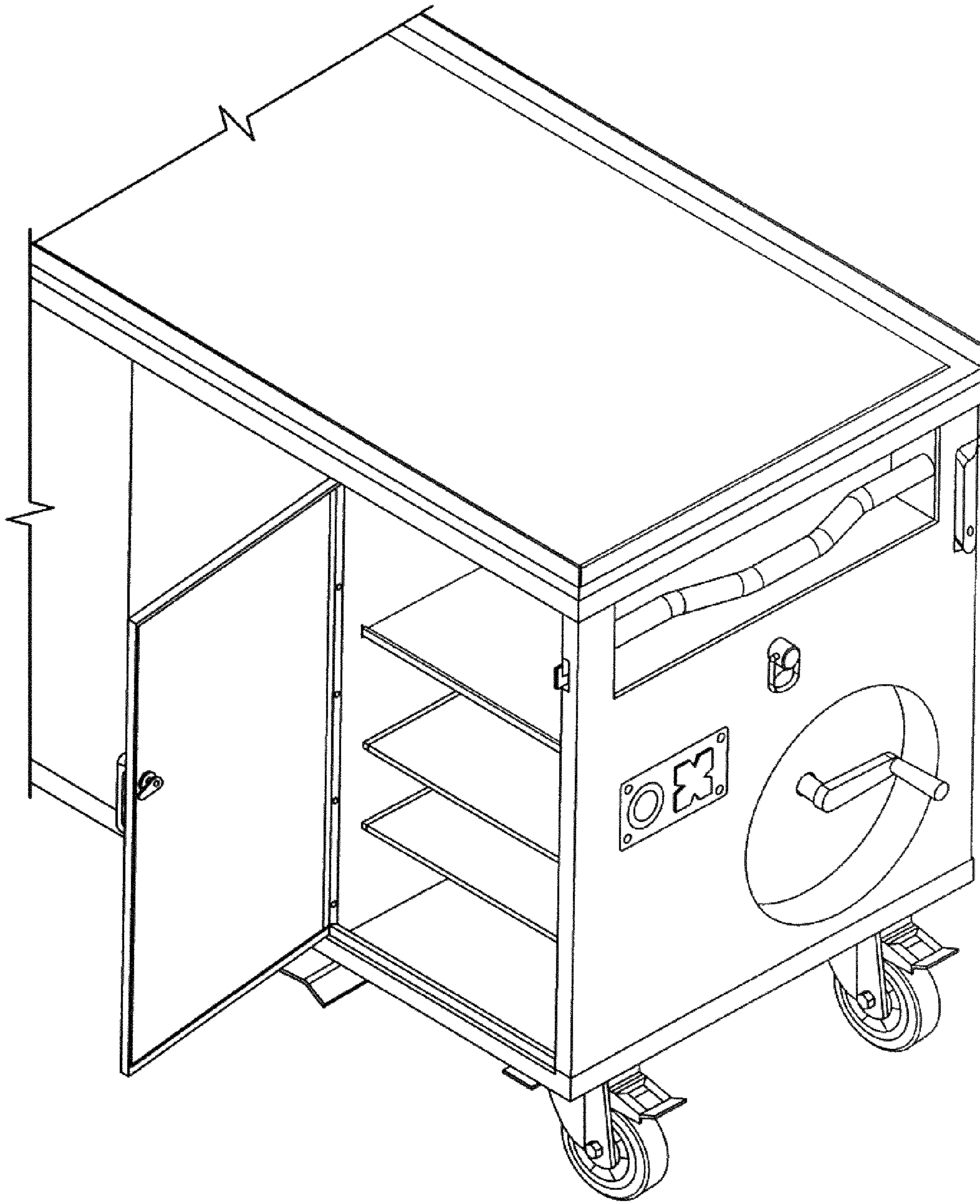


FIGURE 5

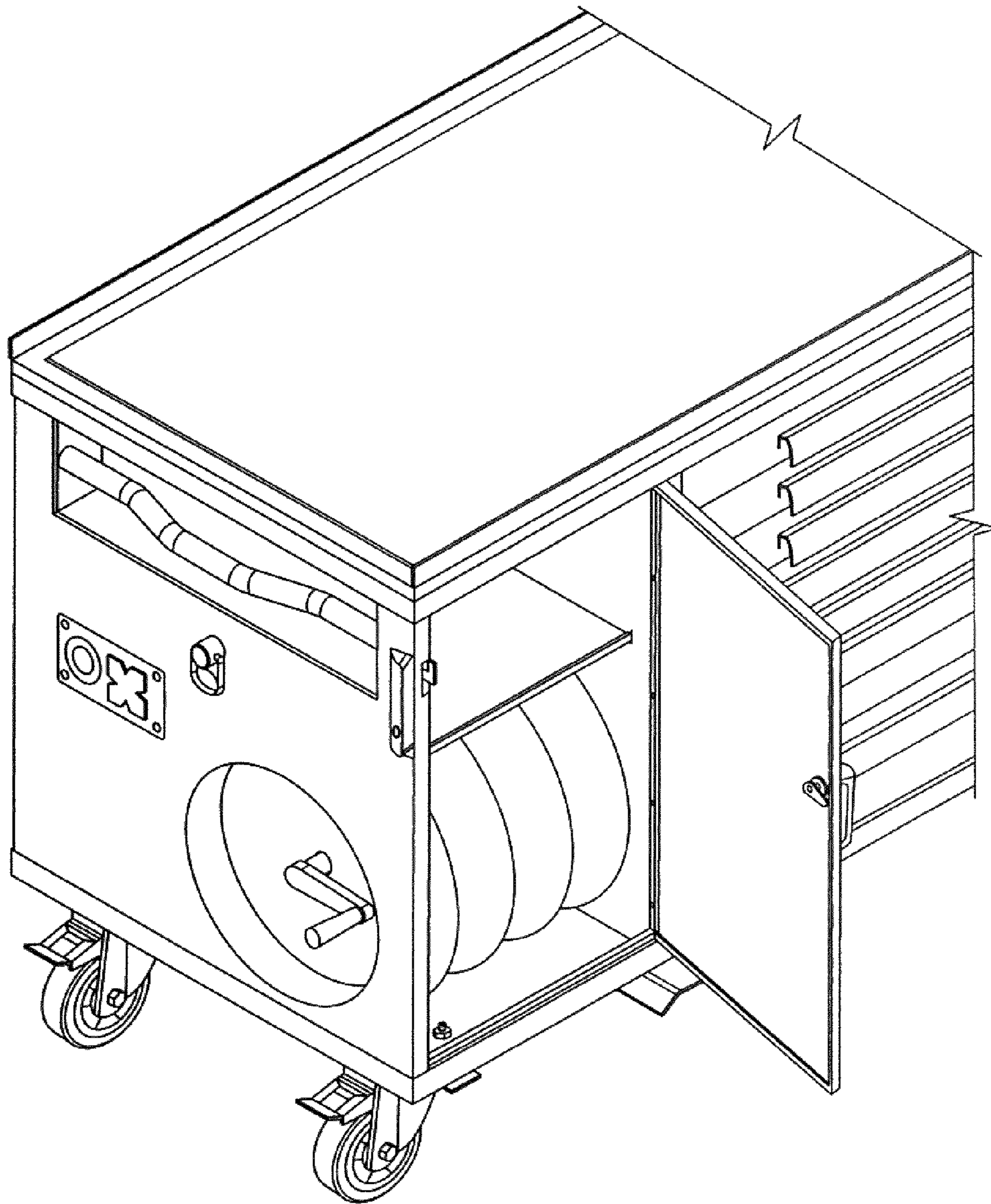


FIGURE 6