



US00D648122S

(12) **United States Design Patent**
Guyon et al.

(10) **Patent No.:** **US D648,122 S**

(45) **Date of Patent:** **** Nov. 8, 2011**

(54) **HANDBAG**

(75) Inventors: **Isabelle Guyon**, Paris (FR); **Sophie Delafontaine**, Versailles (FR); **Philippe Cassegrain**, Paris (FR)

(73) Assignee: **S.A.S. Jean Cassegrain**, Paris (FR)

(**) Term: **14 Years**

(21) Appl. No.: **29/379,104**

(22) Filed: **Nov. 15, 2010**

(30) **Foreign Application Priority Data**

Jun. 7, 2010 (EM) 001716010

(51) **LOC (9) Cl.** **03-01**

(52) **U.S. Cl.** **D3/243**

(58) **Field of Classification Search** D3/232-233,
D3/240-246; 150/100, 103-110, 113-114,
150/118-119

See application file for complete search history.

(56) **References Cited**

U.S. PATENT DOCUMENTS

D452,073 S	12/2001	Cassegrain
D490,608 S	6/2004	Guyon
D490,976 S	6/2004	Delafontaine
D501,081 S	1/2005	Guyon
D501,599 S	2/2005	Guyon
D510,799 S	10/2005	Cassegrain
D530,508 S	10/2006	Delafontaine
D530,509 S	10/2006	Delafontaine
D533,345 S	12/2006	Guyon
D534,348 S	1/2007	Guyon
D534,350 S	1/2007	Guyon
D535,474 S	1/2007	Guyon
D535,819 S	1/2007	Guyon

D539,032 S	3/2007	Guyon	
D539,535 S	4/2007	Guyon	
D539,536 S	4/2007	Guyon	
D570,105 S	6/2008	Guyon et al.	
D570,107 S	6/2008	Guyon et al.	
D591,504 S *	5/2009	Hermann	D3/243
D618,457 S	6/2010	Guyon et al.	
D627,560 S *	11/2010	Dreyfuss	D3/243
D630,847 S *	1/2011	Guichot	D3/243

OTHER PUBLICATIONS

“Collection Printemps”, Longchamp, Paris, 2010.

“Collection Automne”, Longchamp, Paris, 2010.

* cited by examiner

Primary Examiner — Holly Baynham

(74) *Attorney, Agent, or Firm* — Gottlieb, Rackman & Reisman, P.C.

(57) **CLAIM**

The ornamental design for a handbag, as shown and described.

DESCRIPTION

FIG. 1 is a front elevational view of the handbag showing our new design;

FIG. 2 is a rear elevational view thereof;

FIG. 3 is a top plan view thereof;

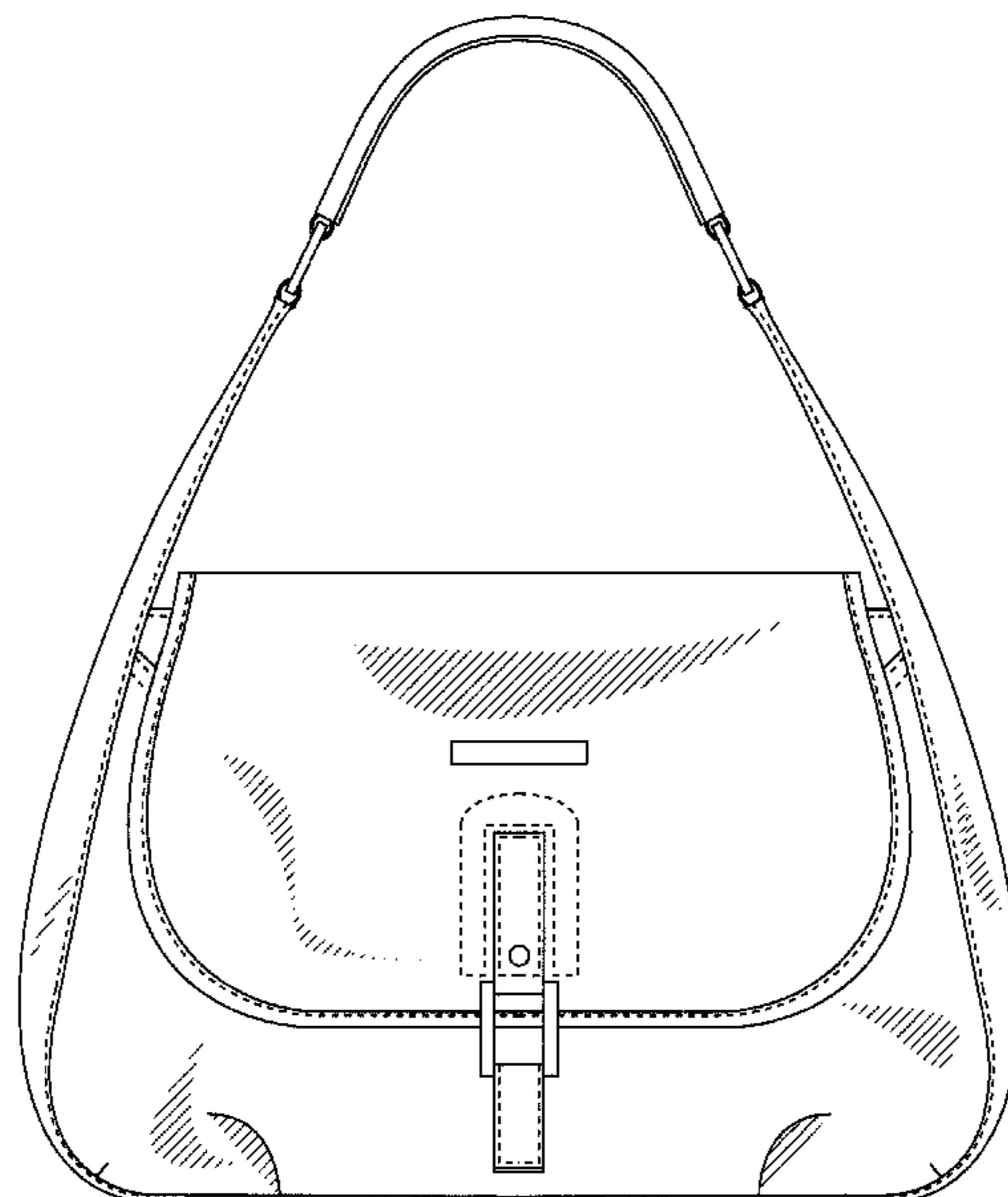
FIG. 4 is a bottom plan view thereof;

FIG. 5 is a right side elevational view thereof; and,

FIG. 6 is a left side elevational view thereof.

The U-shaped broken lines on the front flap of the handbag adjacent the handbag closure in FIGS. 1, 3 and 4 are for illustrative purpose only and form no part of the claimed design, while the remaining broken lines in FIGS. 1-6 show the stitching and are part of the claimed design.

1 Claim, 4 Drawing Sheets



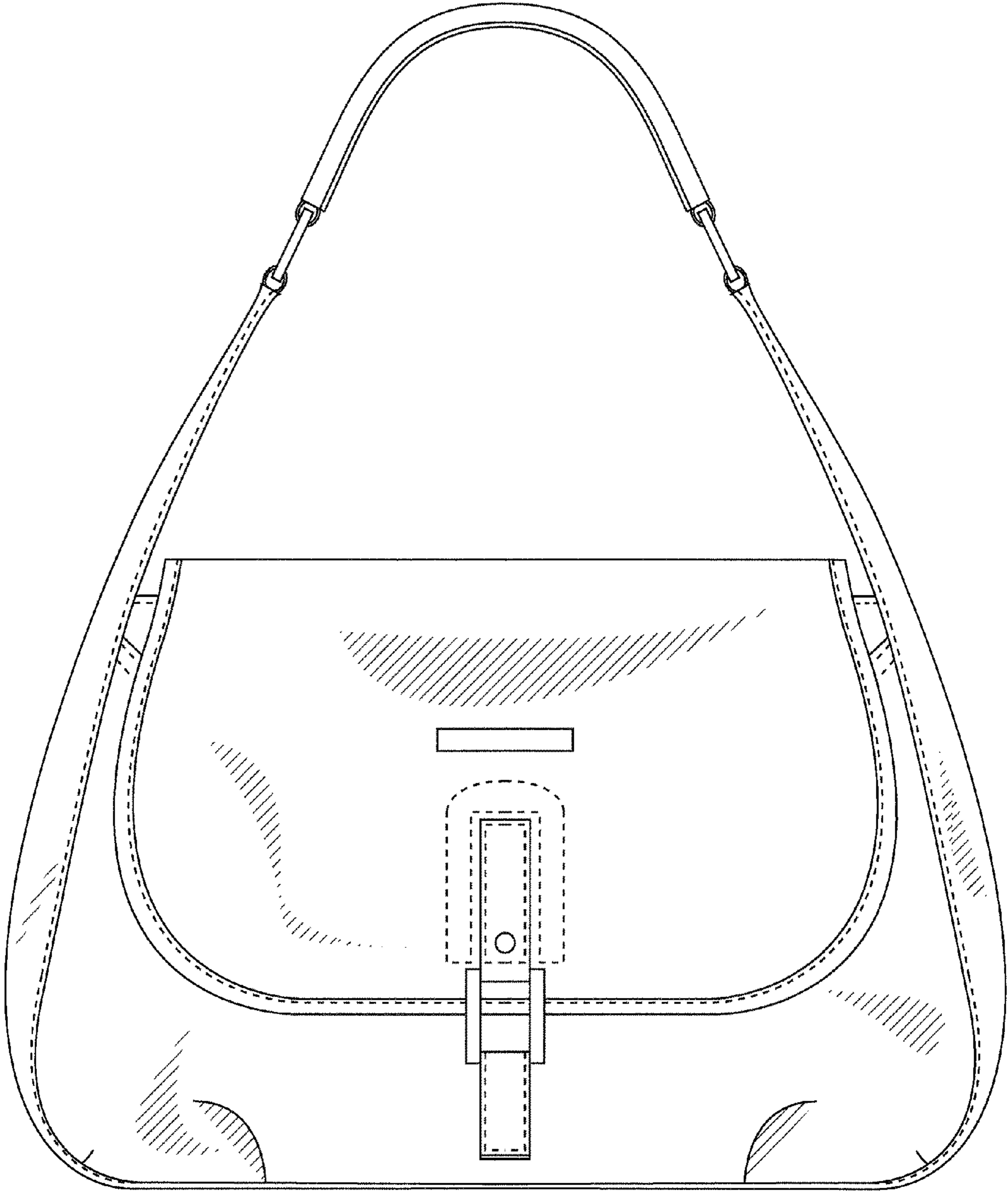


Fig. 1

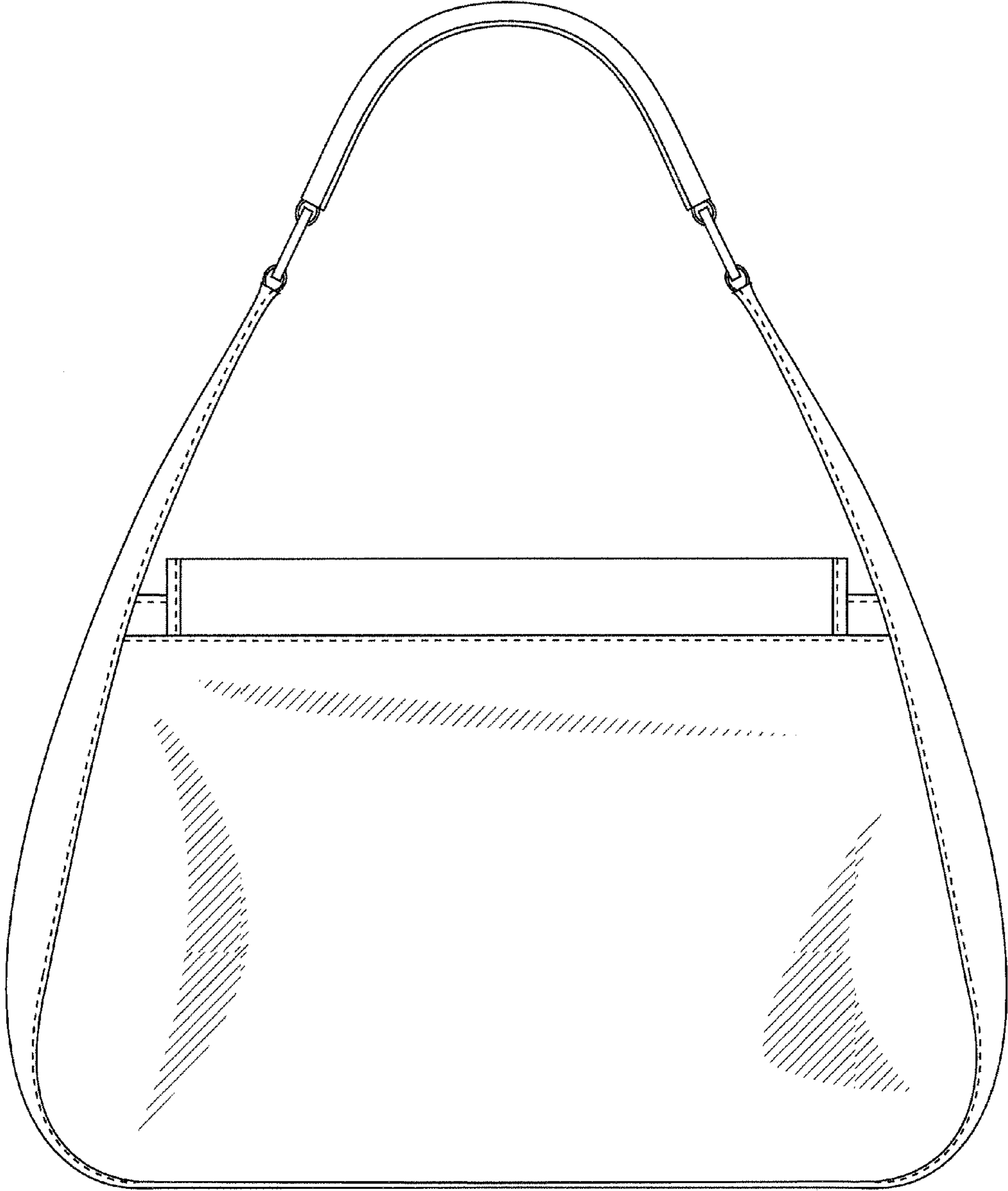


Fig. 2

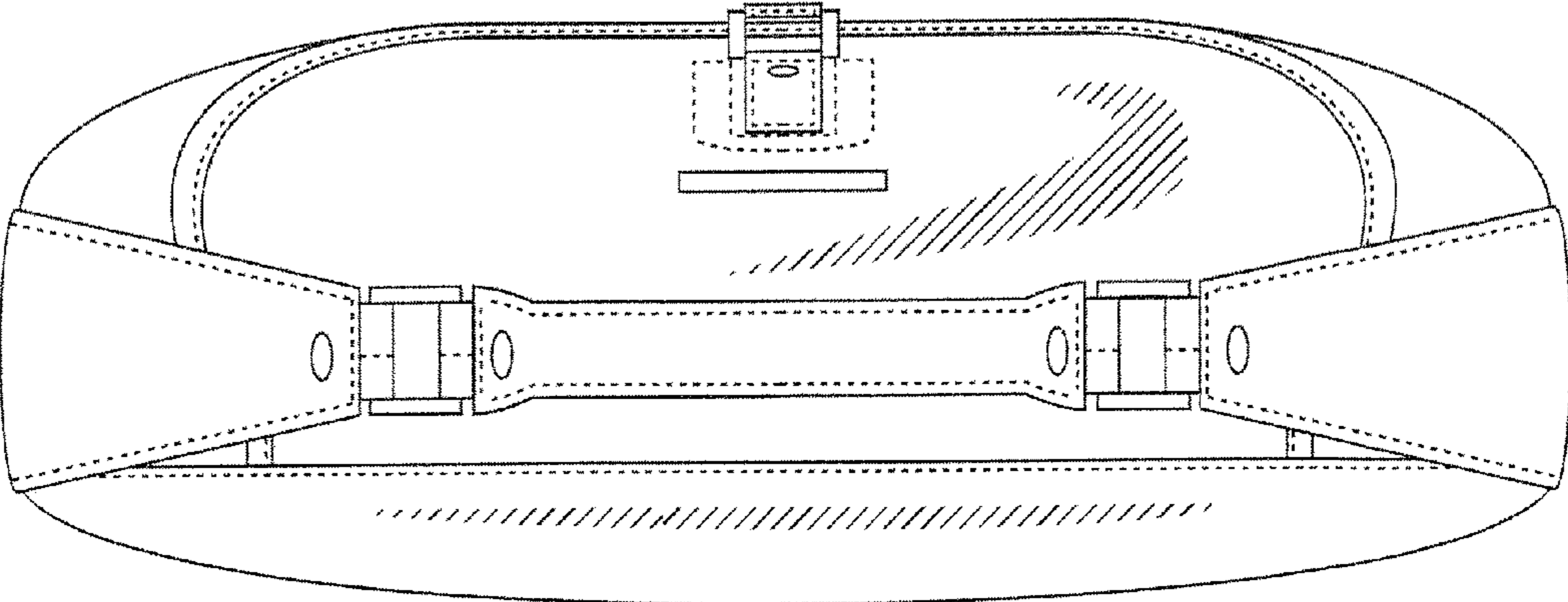


Fig. 3

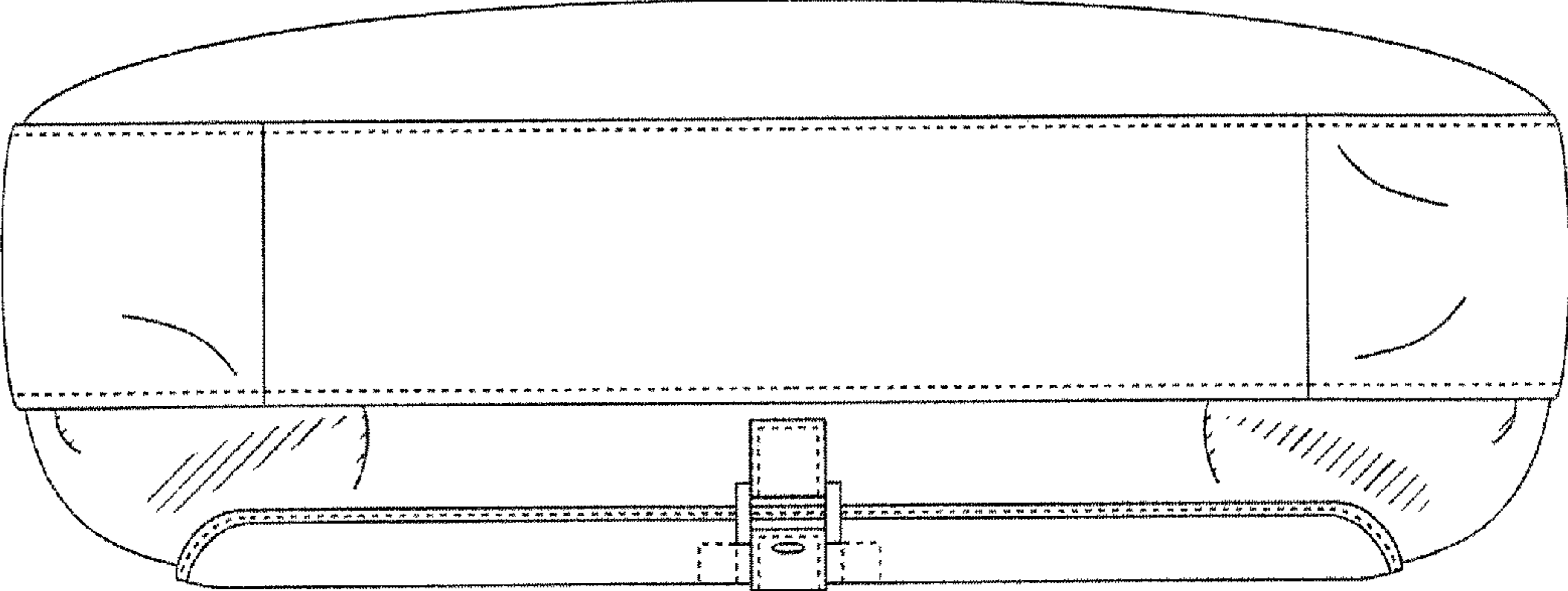


Fig. 4

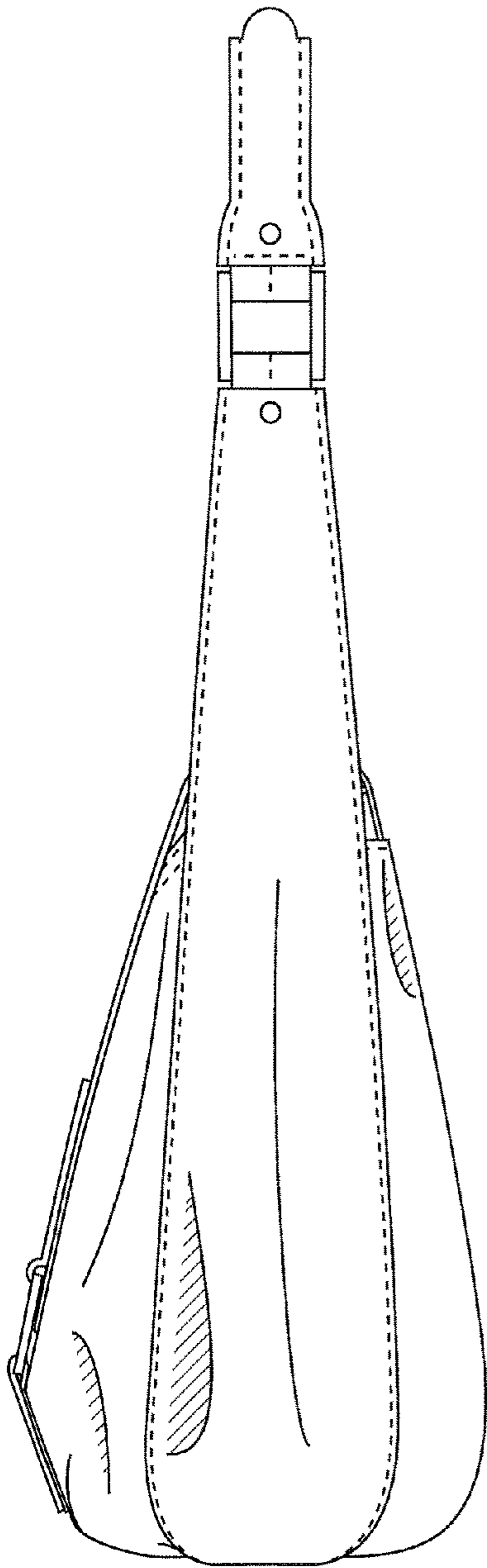


Fig. 5

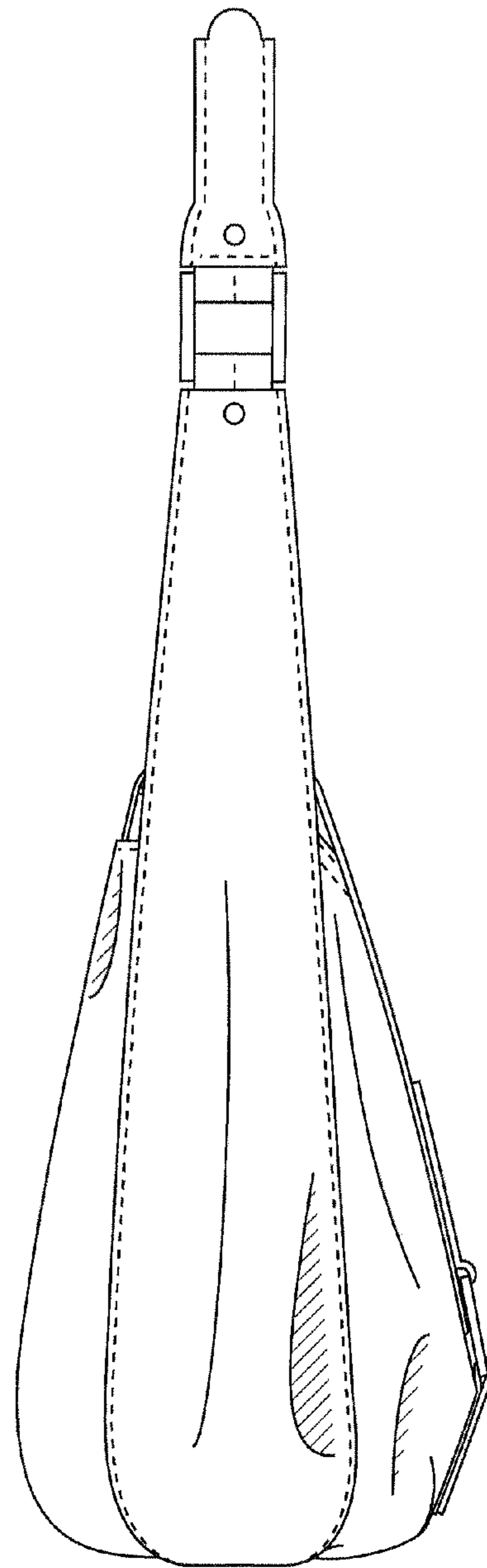


Fig. 6