



US00D648119S

(12) **United States Design Patent**
Jertson

(10) **Patent No.:** **US D648,119 S**
(45) **Date of Patent:** **** Nov. 8, 2011**

(54) **PORTABLE ELECTRONIC DEVICE HOLDER**

Primary Examiner — Catheri Oliver

(75) Inventor: **Marty R. Jertson**, Cave Creek, AZ (US)

(57) **CLAIM**

The ornamental design for a portable electronic device holder, as shown and described.

(73) Assignee: **Karsten Manufacturing Corporation**,
Phoenix, AZ (US)

DESCRIPTION

(**) Term: **14 Years**

(21) Appl. No.: **29/391,657**

(22) Filed: **May 11, 2011**

(51) **LOC (9) Cl.** **03-01**

(52) **U.S. Cl.** **D3/218**

(58) **Field of Classification Search** D3/218,
D3/215, 219, 224, 226, 201, 269; 224/240–241,
224/901, 904, 676–681, 674, 578, 196, 269,
224/666, 930, 640, 646; 379/446, 455;
D14/250–251, 253, 138; 455/575.1–575.8;
206/305, 320

See application file for complete search history.

FIG. 1 is a perspective front view of a portable electronic device holder in one embodiment;

FIG. 2 is a perspective rear view of the portable electronic device holder of FIG. 1;

FIG. 3 is a front view of the portable electronic device holder of FIG. 1;

FIG. 4 is a rear view of the portable electronic device holder of FIG. 1;

FIG. 5 is a top plan view of the portable electronic device holder of FIG. 1;

FIG. 6 is a bottom plan view of the portable electronic device holder of FIG. 1;

FIG. 7 is a side view of the portable electronic device holder of FIG. 1 taken from the left in FIG. 3;

FIG. 8 is a side view of the portable electronic device holder of FIG. 1 taken from the right in FIG. 3;

FIG. 9 is a perspective front view of a portable electronic device holder in another embodiment;

FIG. 10 is a perspective rear view of the portable electronic device holder of FIG. 9;

FIG. 11 is a front view of the portable electronic device holder of FIG. 9;

FIG. 12 is a rear view of the portable electronic device holder of FIG. 9;

FIG. 13 is a top plan view of the portable electronic device holder of FIG. 9;

FIG. 14 is a bottom plan view of the portable electronic device holder of FIG. 9;

FIG. 15 is a side view of the portable electronic device holder of FIG. 9 taken from the left in FIG. 11; and,

FIG. 16 is a side view of the portable electronic device holder of FIG. 9 taken from the right in FIG. 11.

The broken lines shown in one or more of the figures are for illustrative purposes only and form no part of the claimed design.

(56) **References Cited**

U.S. PATENT DOCUMENTS

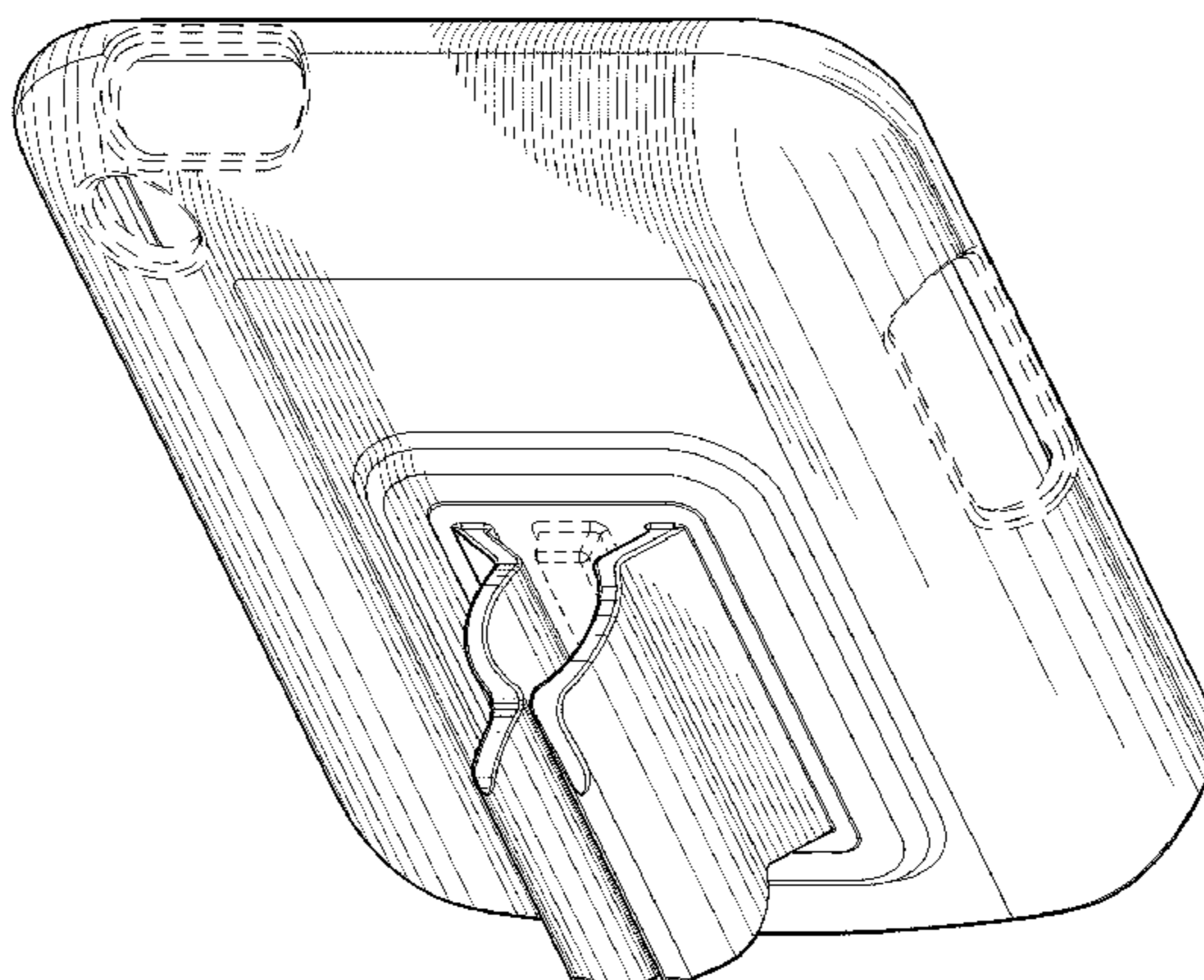
| | | |
|-------------|---------|-------------|
| D150,821 S | 9/1948 | Bianchi |
| D168,491 S | 12/1952 | Alvarez |
| 2,819,858 A | 1/1958 | Mittendorf |
| 2,986,937 A | 6/1961 | Chapman |
| 3,021,396 A | 2/1962 | Nagel |
| 4,168,068 A | 9/1979 | Grover |
| 4,789,160 A | 12/1988 | Dollar, Jr. |
| D306,056 S | 2/1990 | Tucker |
| D308,870 S | 6/1990 | Rioux, Jr. |
| D312,534 S | 12/1990 | Nelson |
| 4,998,277 A | 3/1991 | Rioux, Jr. |
| D326,927 S | 6/1992 | Catalina |
| D328,302 S | 7/1992 | Murzanski |
| D329,749 S | 9/1992 | Scheid |
| 5,188,327 A | 2/1993 | White |

(Continued)

OTHER PUBLICATIONS

Marty R. Jertson, "Portable Electronic Device Holder," U.S. Appl. No. 29/391,647, filed May 11, 2011.

1 Claim, 10 Drawing Sheets



US D648,119 S

Page 2

U.S. PATENT DOCUMENTS

| | | | |
|-----------------|---------|-------------------|---------|
| D346,275 S | 4/1994 | Hayasaka | |
| 5,332,090 A | 7/1994 | Tucker | |
| D350,351 S | 9/1994 | Nakamura | |
| D365,927 S | 1/1996 | Cho | |
| D366,957 S | 2/1996 | Scheid | |
| D390,699 S | 2/1998 | Goldenberg | |
| D392,097 S | 3/1998 | Pottala | |
| 5,871,189 A | 2/1999 | Hofman | |
| 5,911,635 A | 6/1999 | Ogden | |
| D425,907 S | 5/2000 | Frye | |
| D432,404 S | 10/2000 | Garfinkle | |
| D451,915 S | 12/2001 | Dalmau | |
| D468,525 S | 1/2003 | Boyle | |
| 6,602,145 B1 | 8/2003 | Yeh | |
| 6,607,450 B1 | 8/2003 | Hackman | |
| D480,558 S | 10/2003 | Ikeda | |
| D499,546 S * | 12/2004 | Smithers | D3/218 |
| D503,532 S | 4/2005 | Andre | |
| D508,605 S | 8/2005 | Hwang | |
| D516,026 S | 2/2006 | Barrett | |
| D523,512 S | 6/2006 | Rydzynski | |
| D531,019 S | 10/2006 | Plumer | |
| D543,541 S * | 5/2007 | Chung et al. | D3/218 |
| D548,457 S | 8/2007 | Reinerio | |
| D556,681 S | 12/2007 | Kim | |
| D565,290 S | 4/2008 | Brandenburg | |
| D565,291 S | 4/2008 | Brandenburg | |
| D575,056 S | 8/2008 | Tan | |
| D582,149 S | 12/2008 | Tan | |
| 7,546,153 B2 | 6/2009 | Kang | |
| D603,603 S | 11/2009 | Laine | |
| 7,612,997 B1 | 11/2009 | Diebel | |
| D609,463 S | 2/2010 | Bullen | |
| D609,464 S | 2/2010 | Bullen | |
| D610,579 S | 2/2010 | Behar | |
| D616,361 S | 5/2010 | Huang | |
| D622,716 S | 8/2010 | Andre | |
| 7,778,023 B1 | 8/2010 | Mahoney | |
| D623,180 S | 9/2010 | Diebel | |
| D623,640 S | 9/2010 | Freeman | |
| D624,064 S | 9/2010 | Esposito | |
| D624,908 S | 10/2010 | Huskinson | |
| D624,909 S | 10/2010 | Huskinson | |
| D626,539 S | 11/2010 | Brown | |
| D626,540 S | 11/2010 | Brown | |
| D635,555 S * | 4/2011 | Giles | D14/217 |
| D637,393 S * | 5/2011 | Stampfli | D3/218 |
| D641,974 S * | 7/2011 | Stampfli | D3/218 |
| 2011/0000946 A1 | 1/2011 | Stretcher | |

* cited by examiner

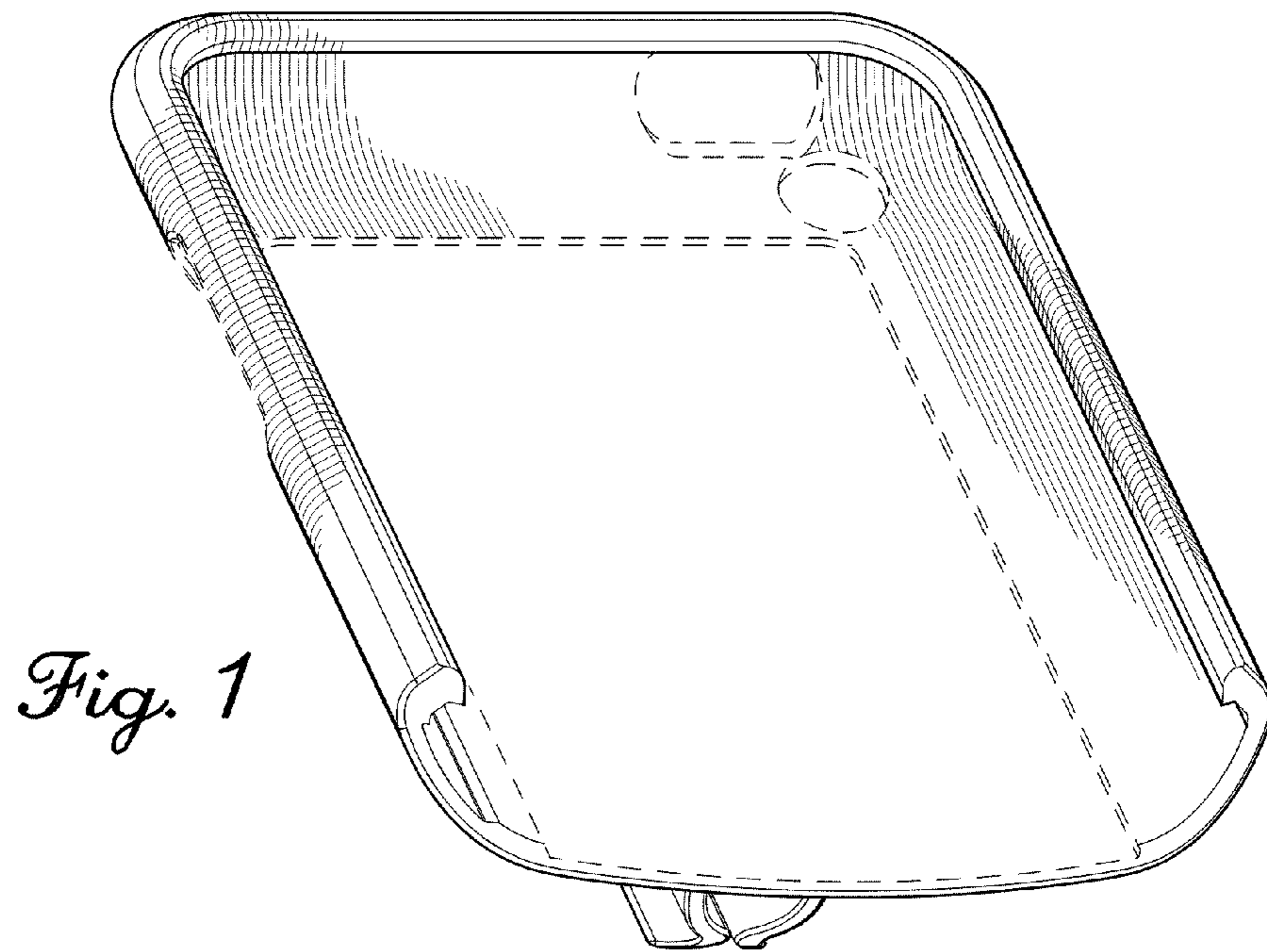


Fig. 1

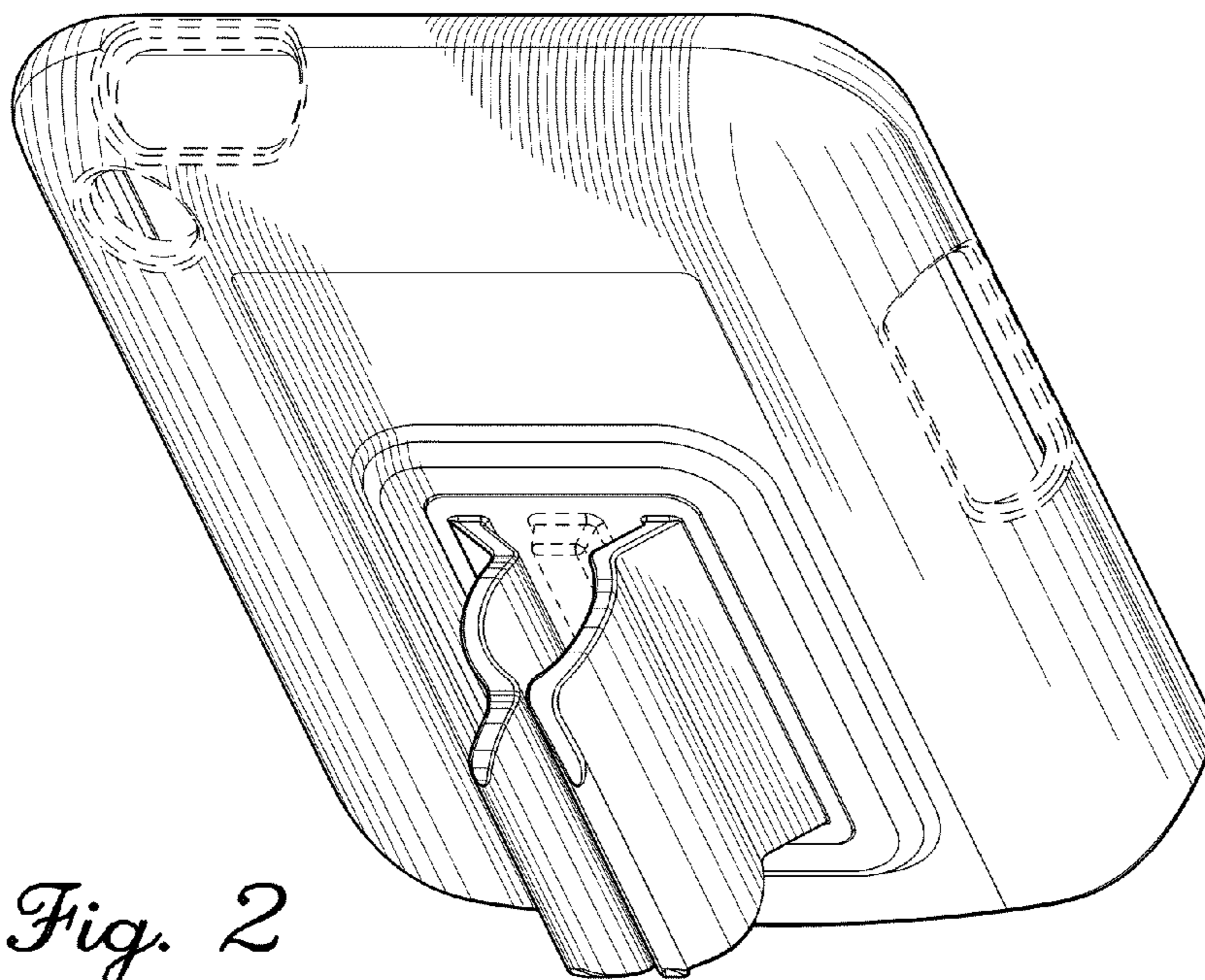


Fig. 2

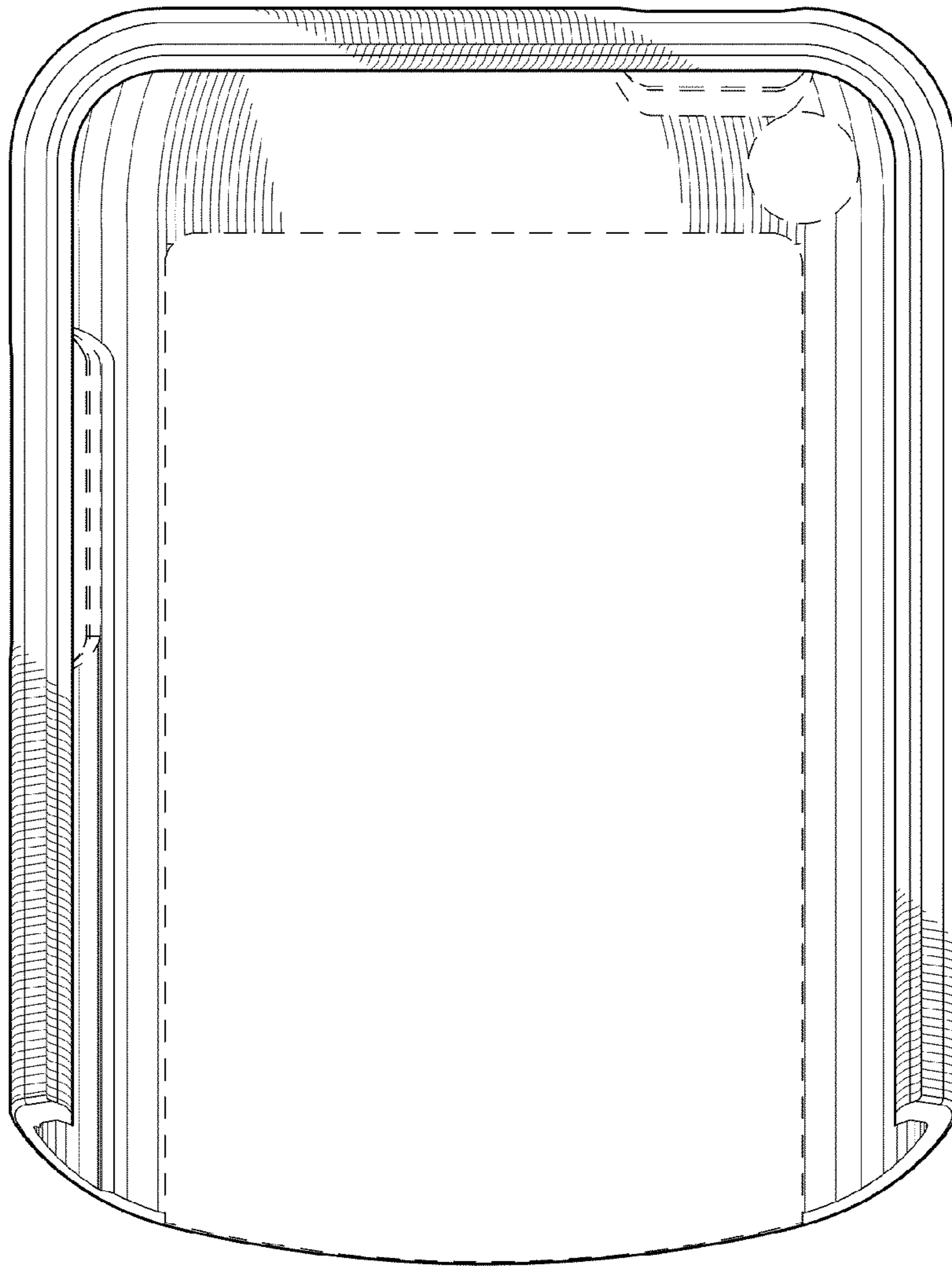


Fig. 3

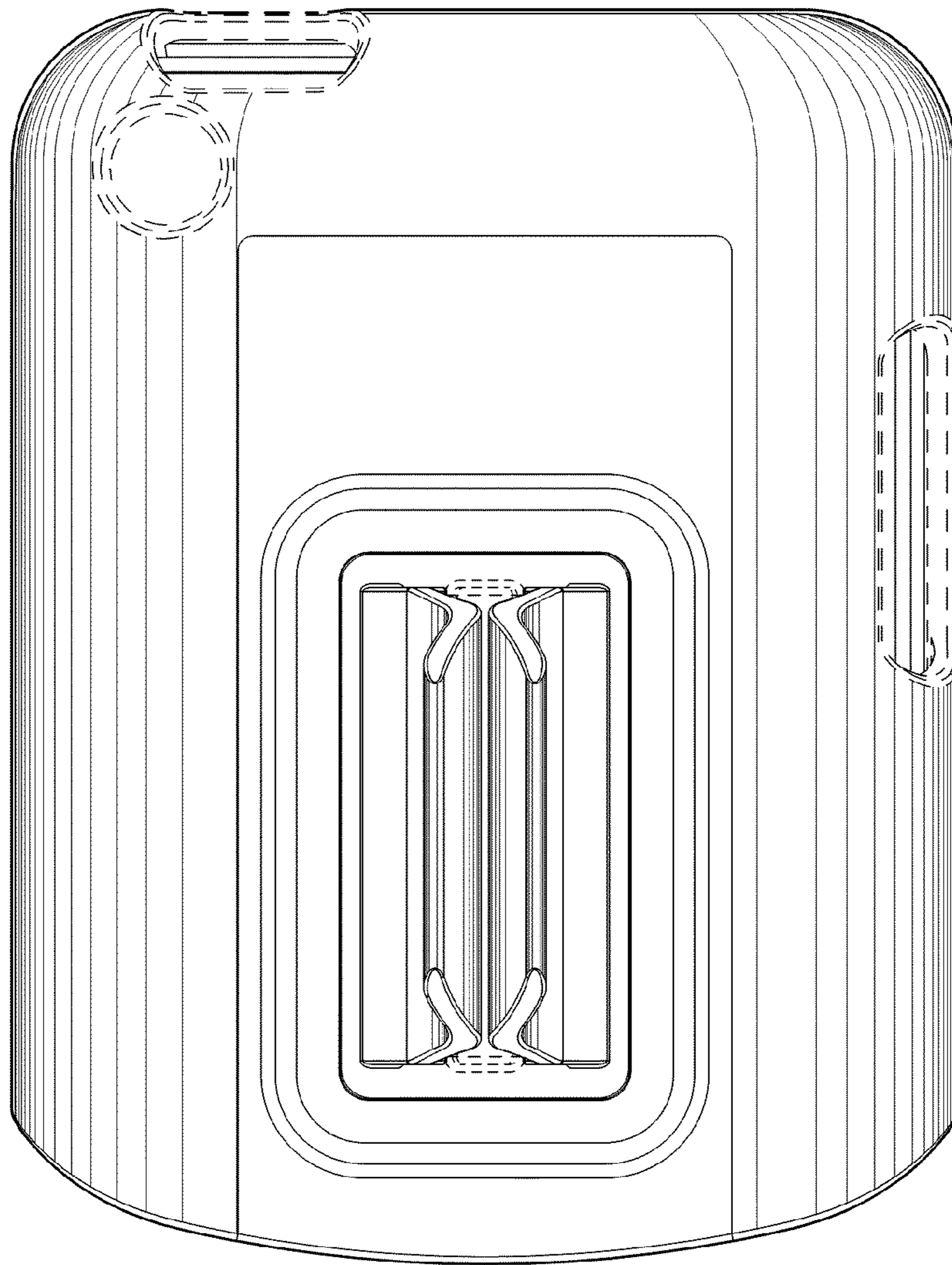


Fig. 4

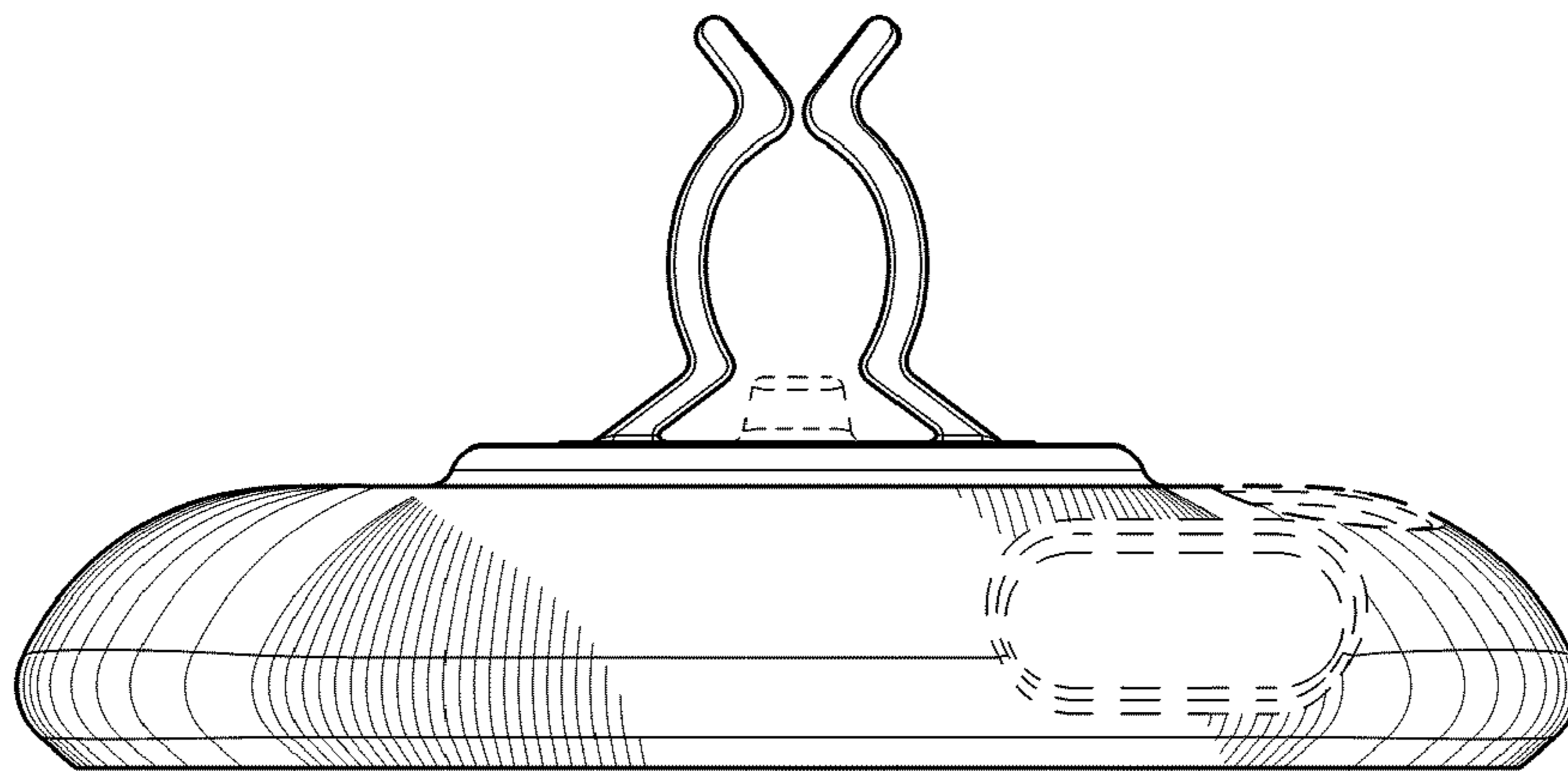


Fig. 5

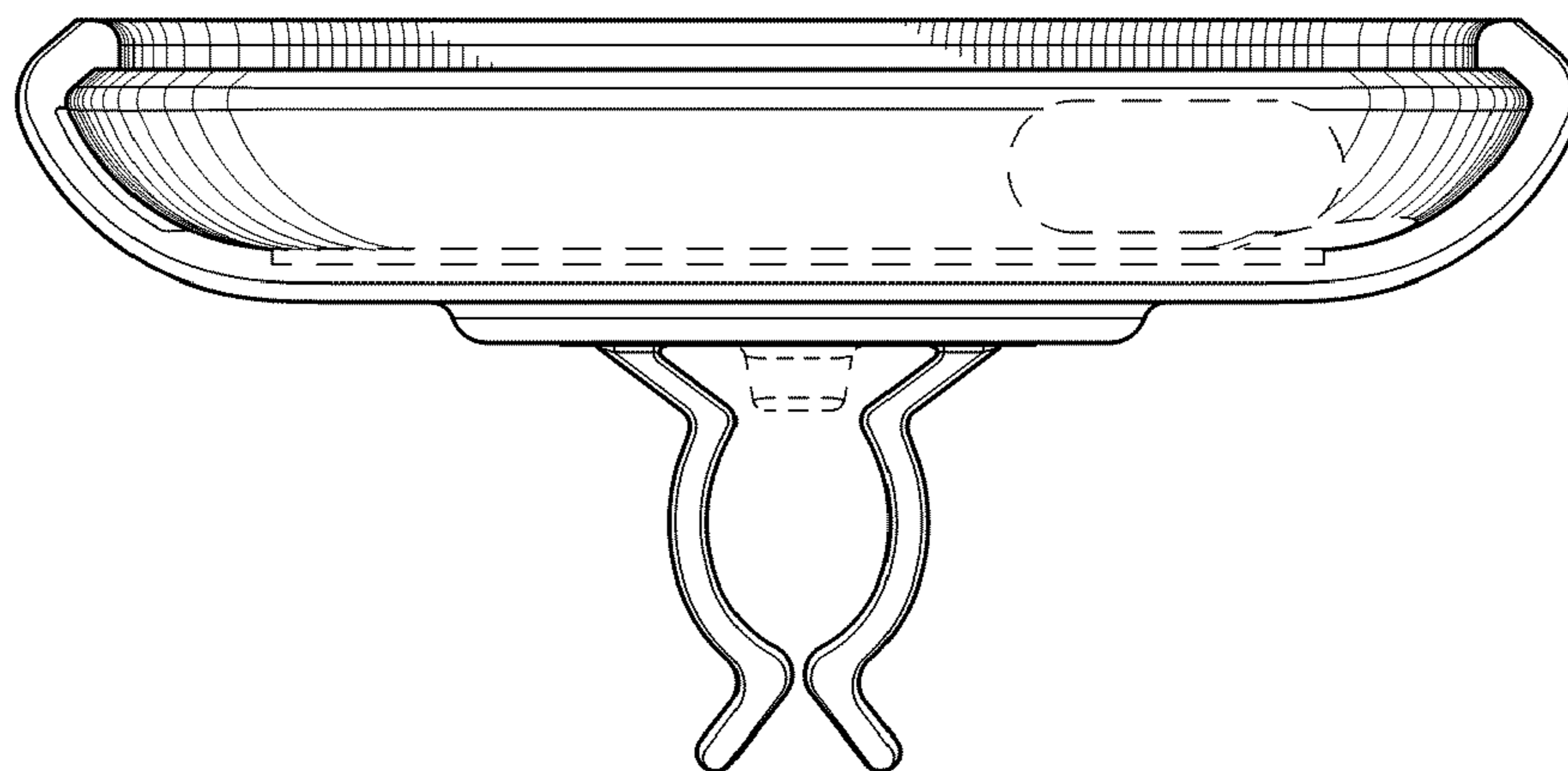


Fig. 6

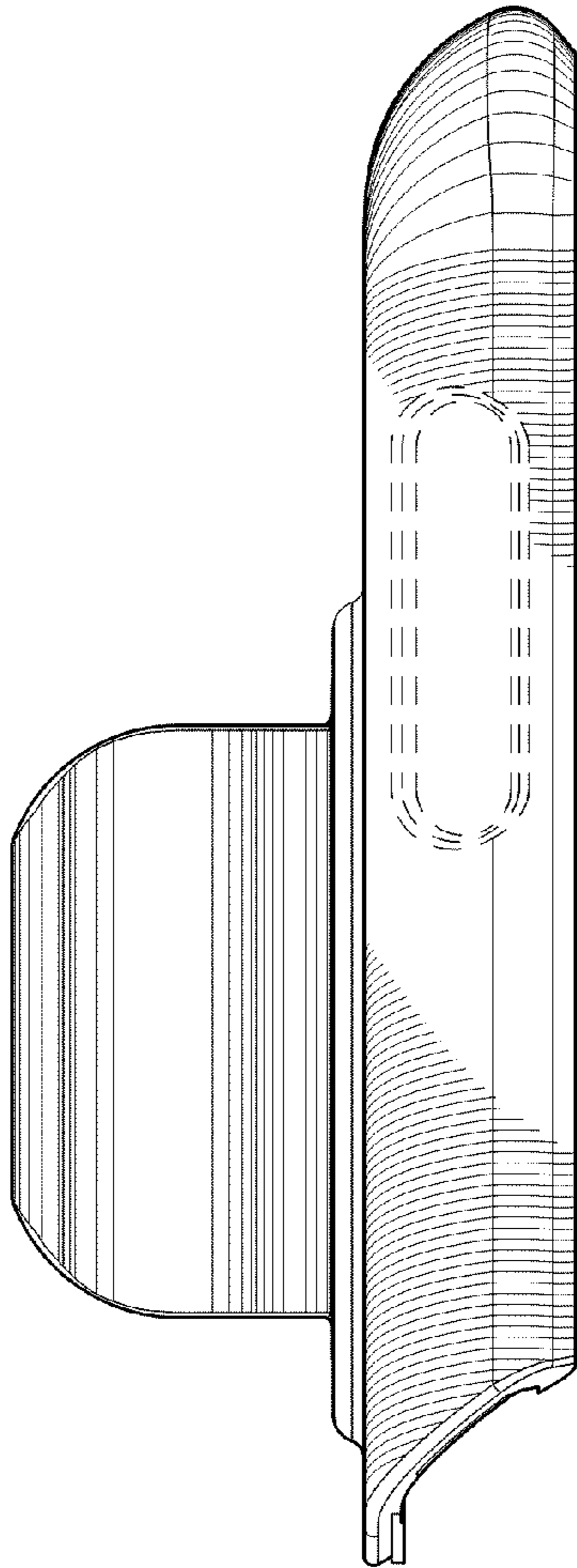


Fig. 7

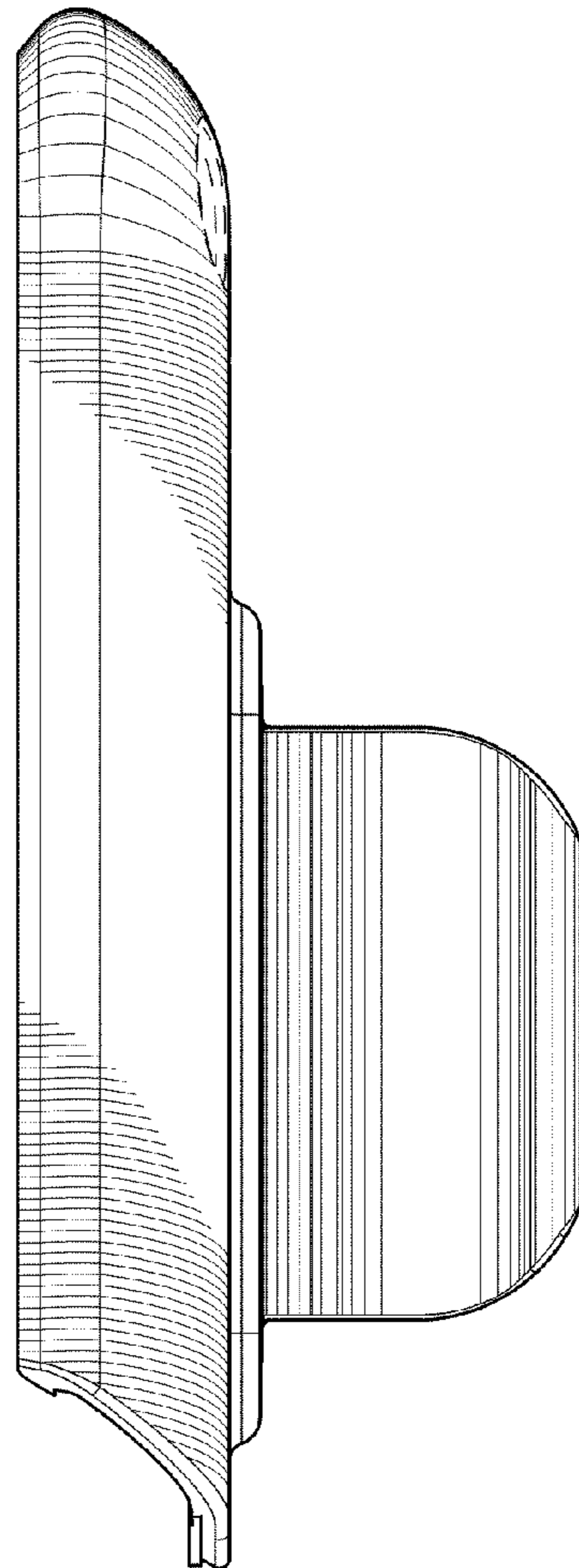


Fig. 8

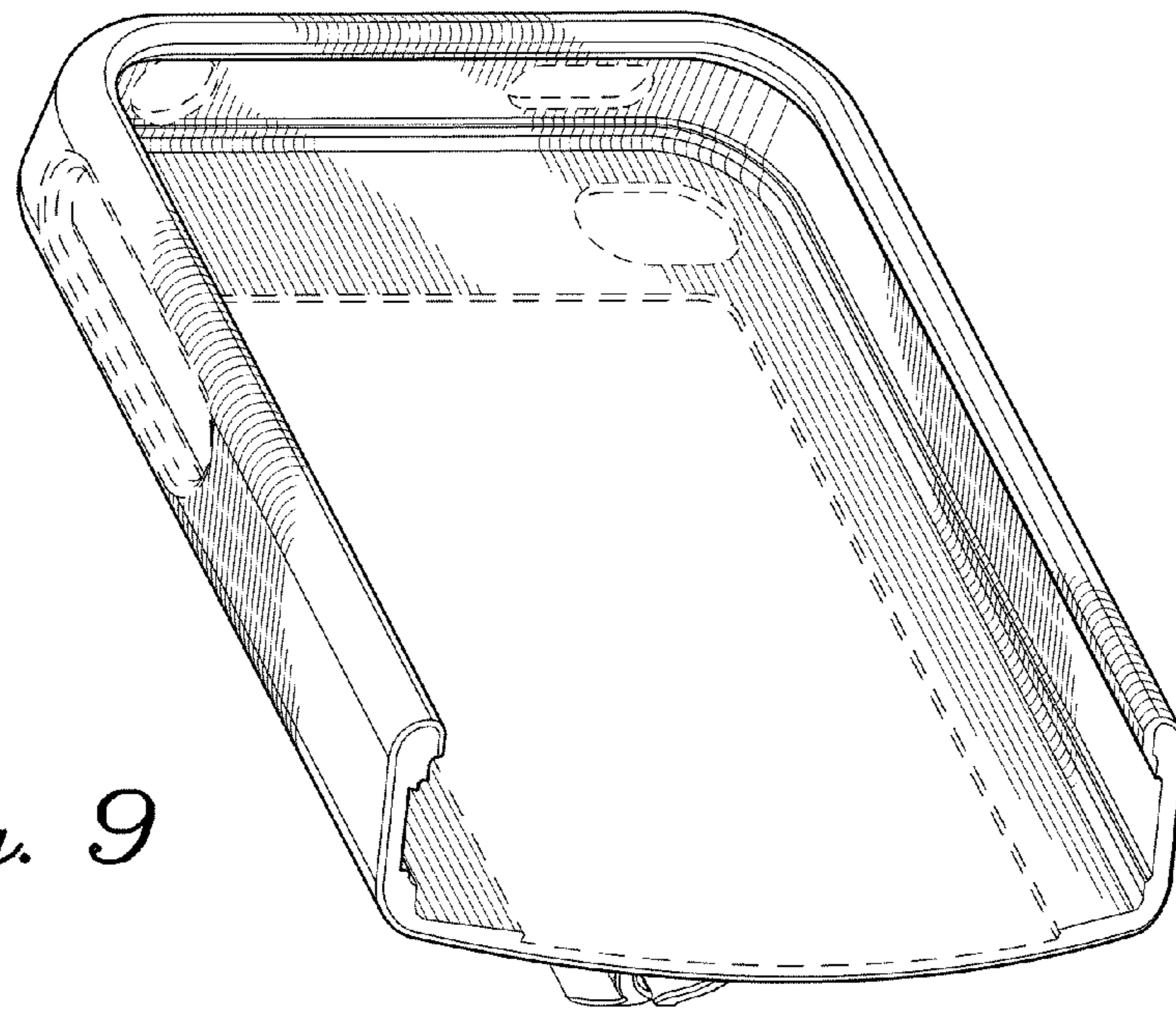


Fig. 9

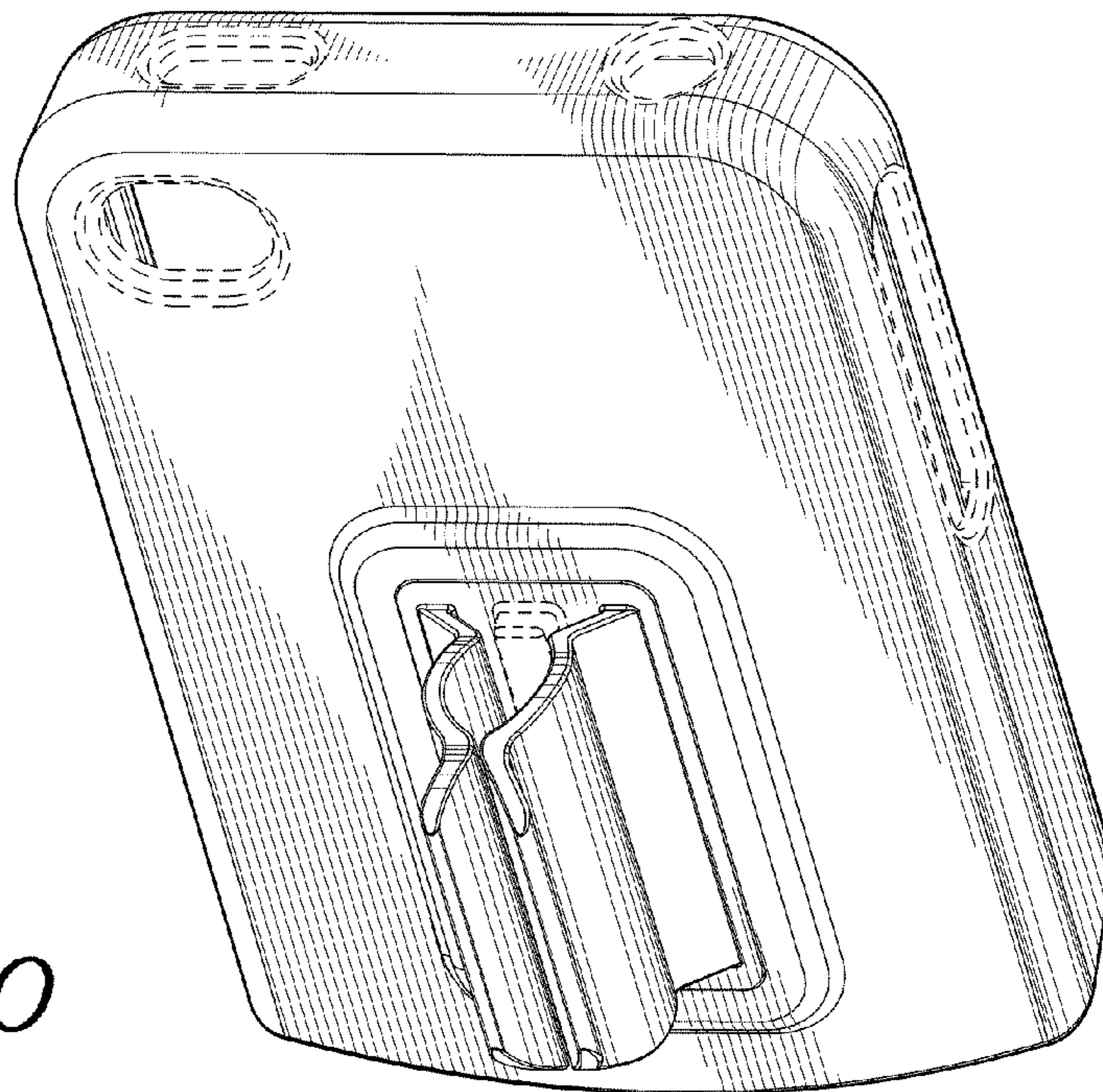


Fig. 10

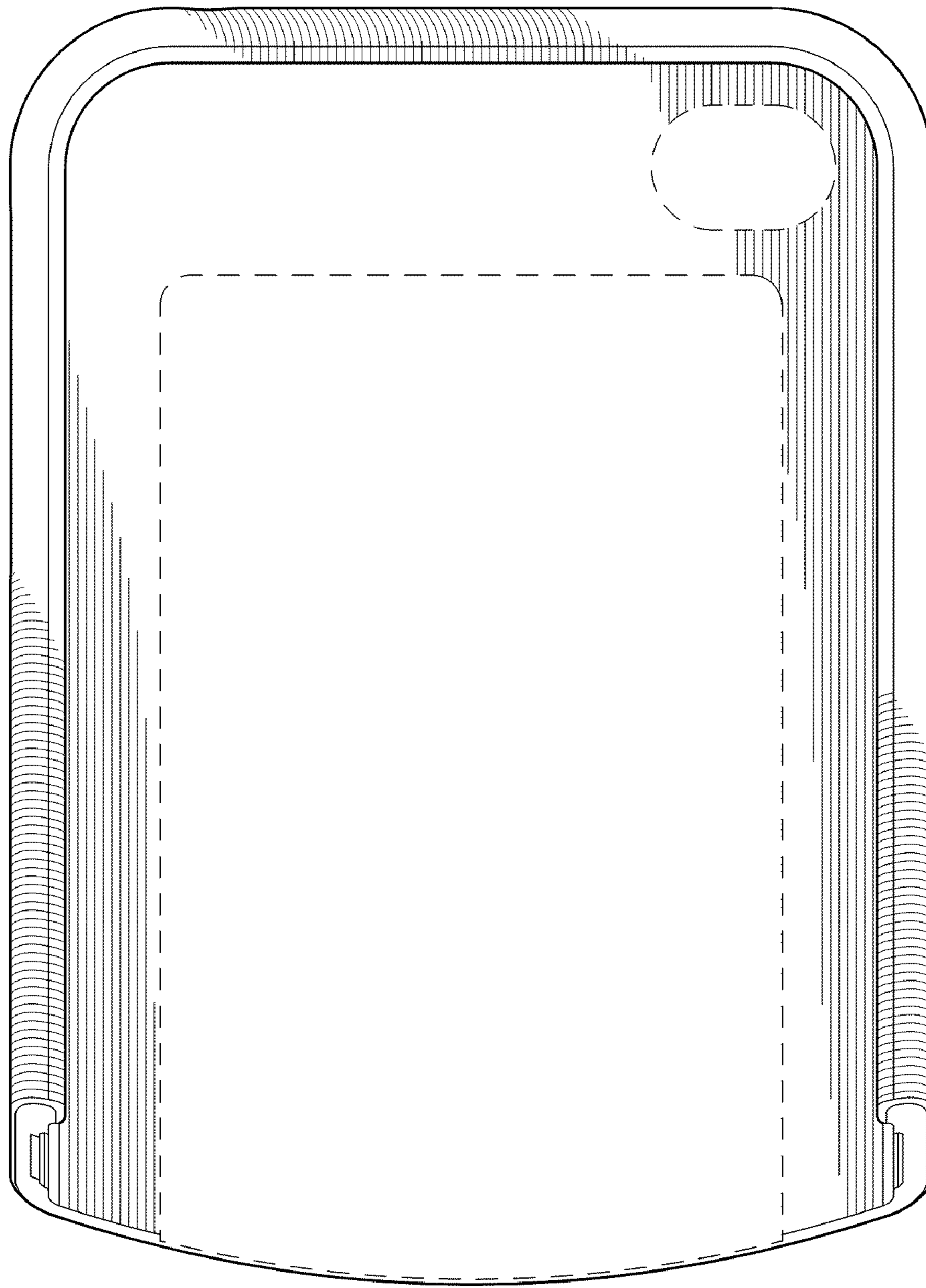


Fig. 11

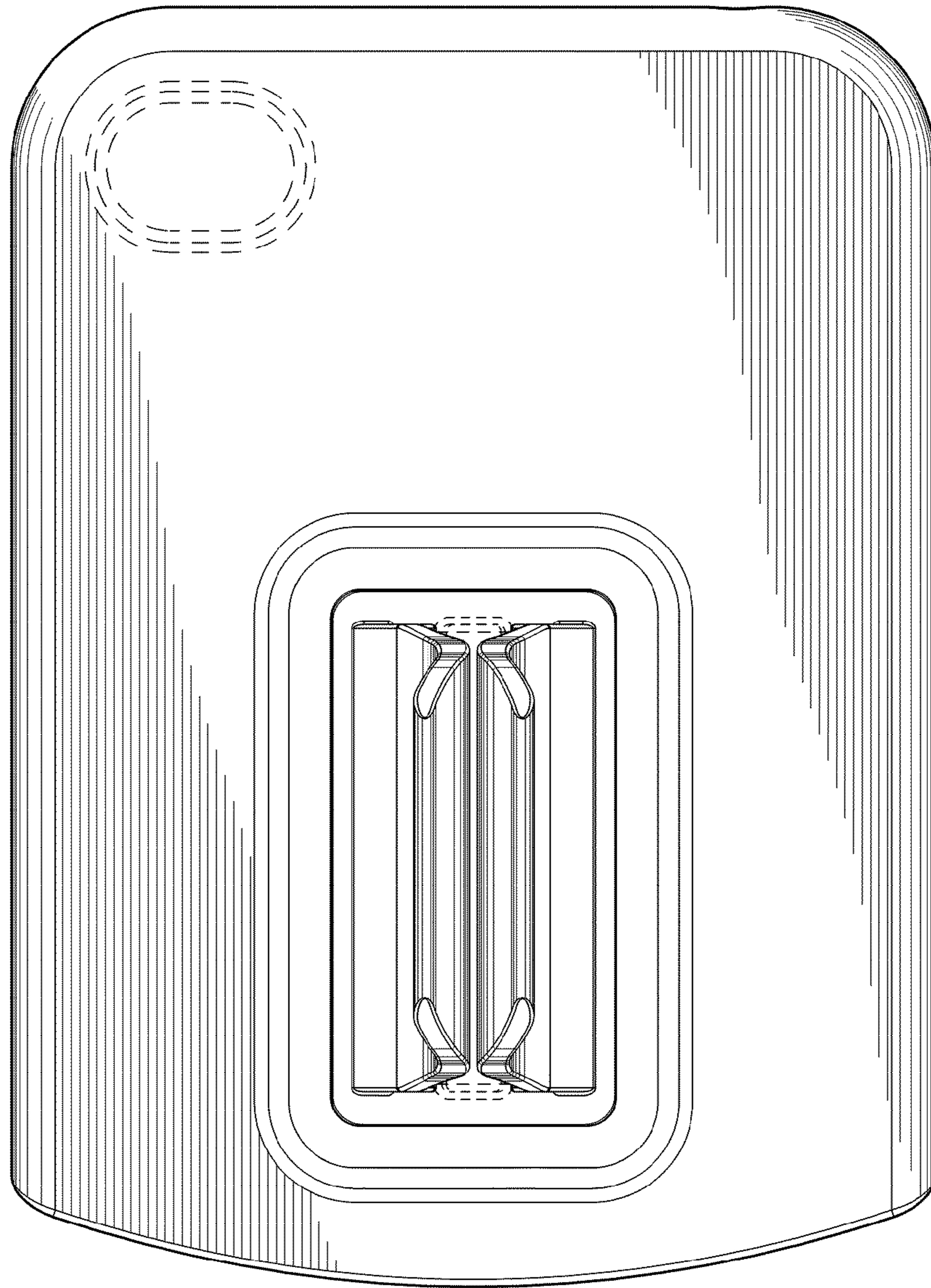


Fig. 12

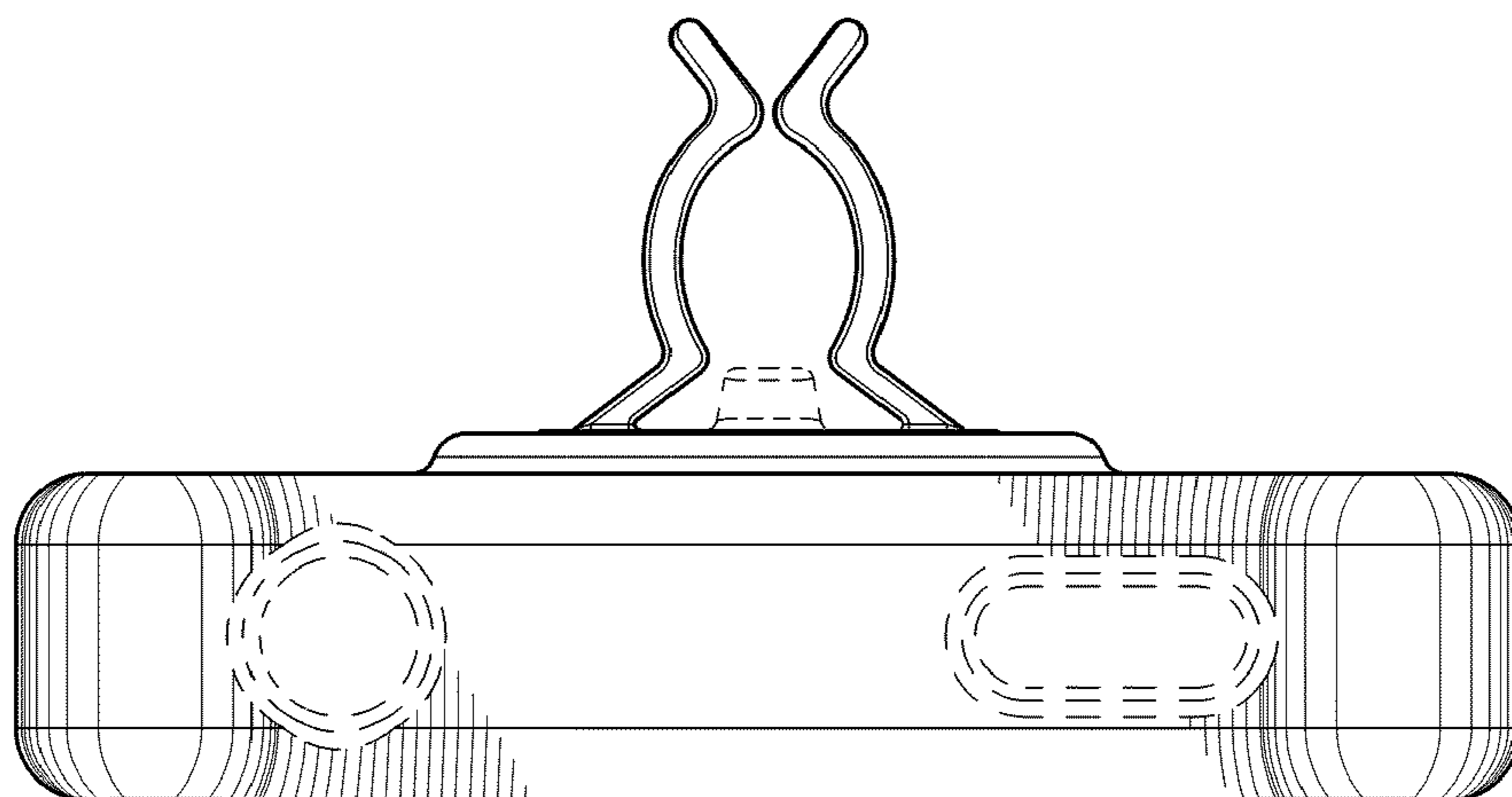


Fig. 13

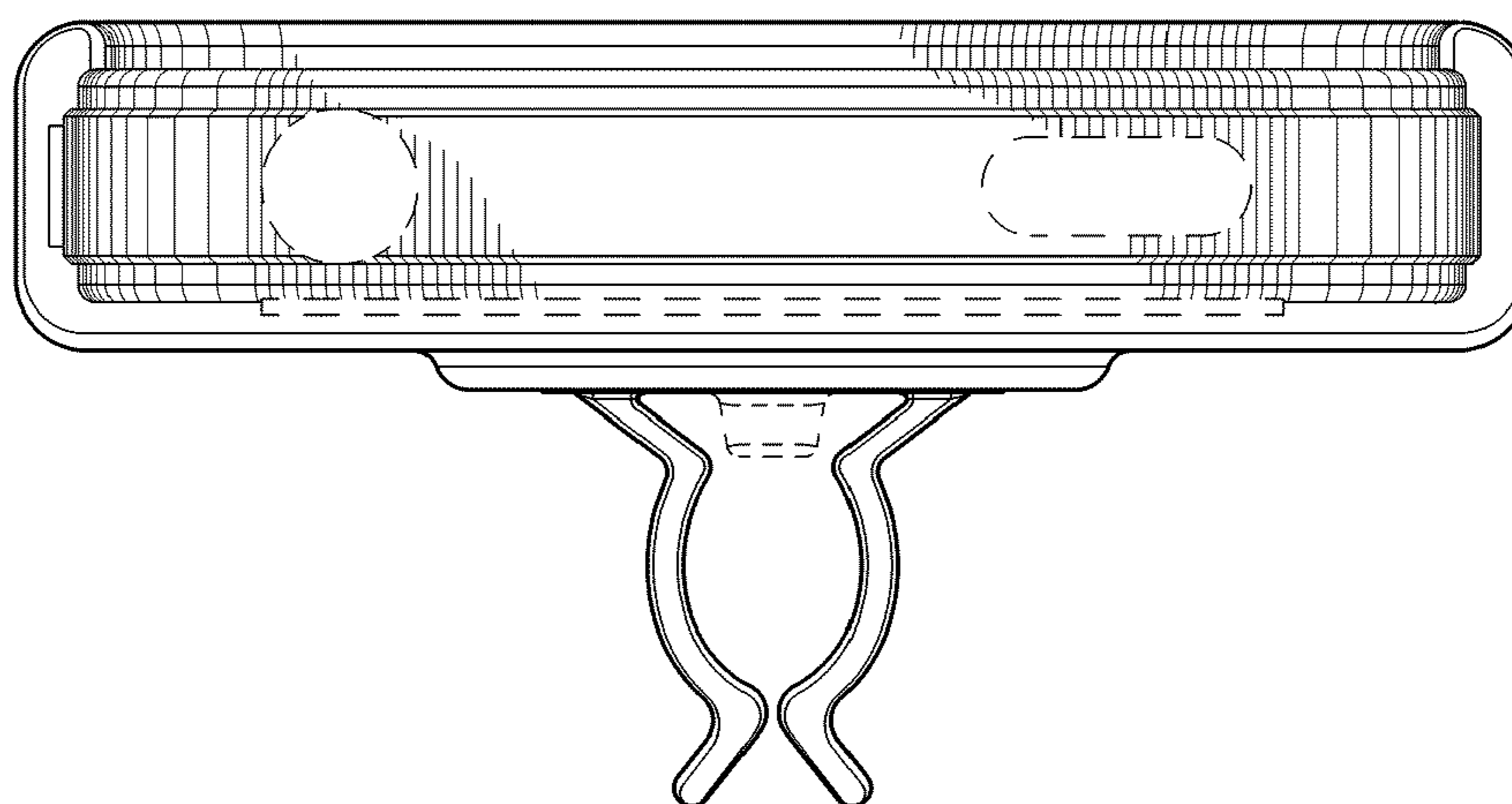


Fig. 14

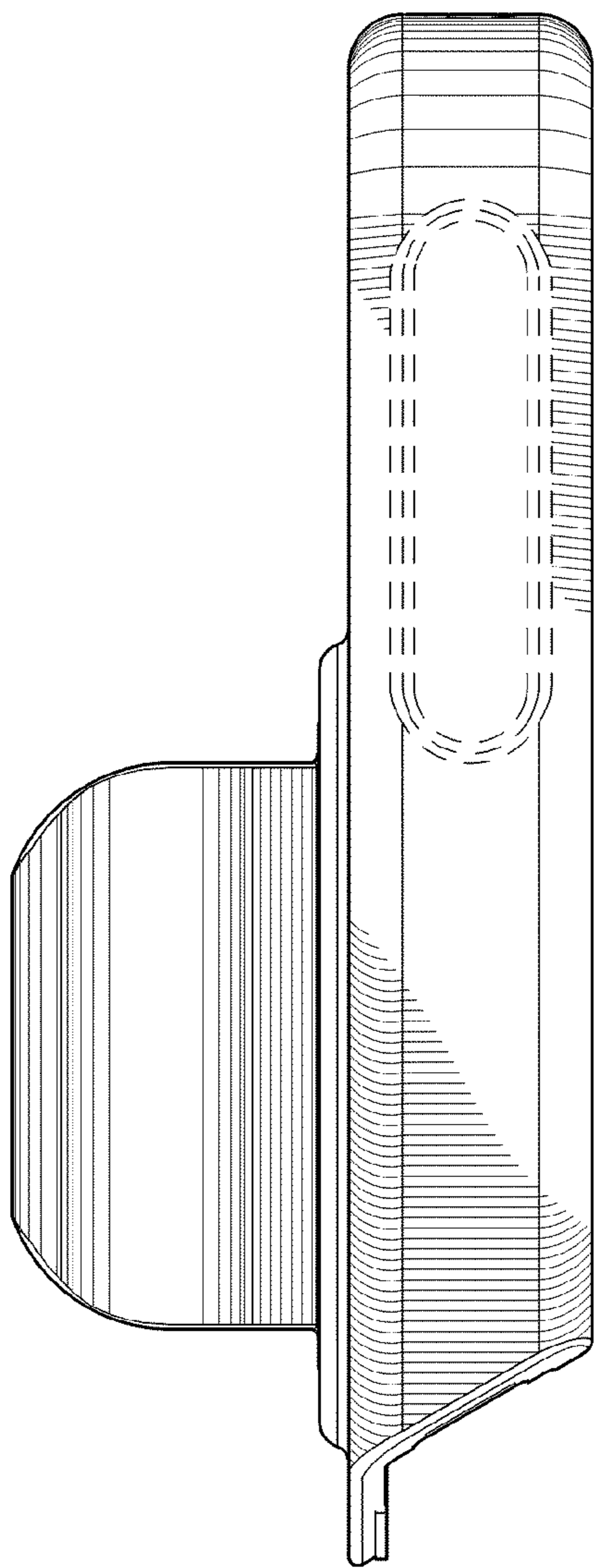


Fig. 15

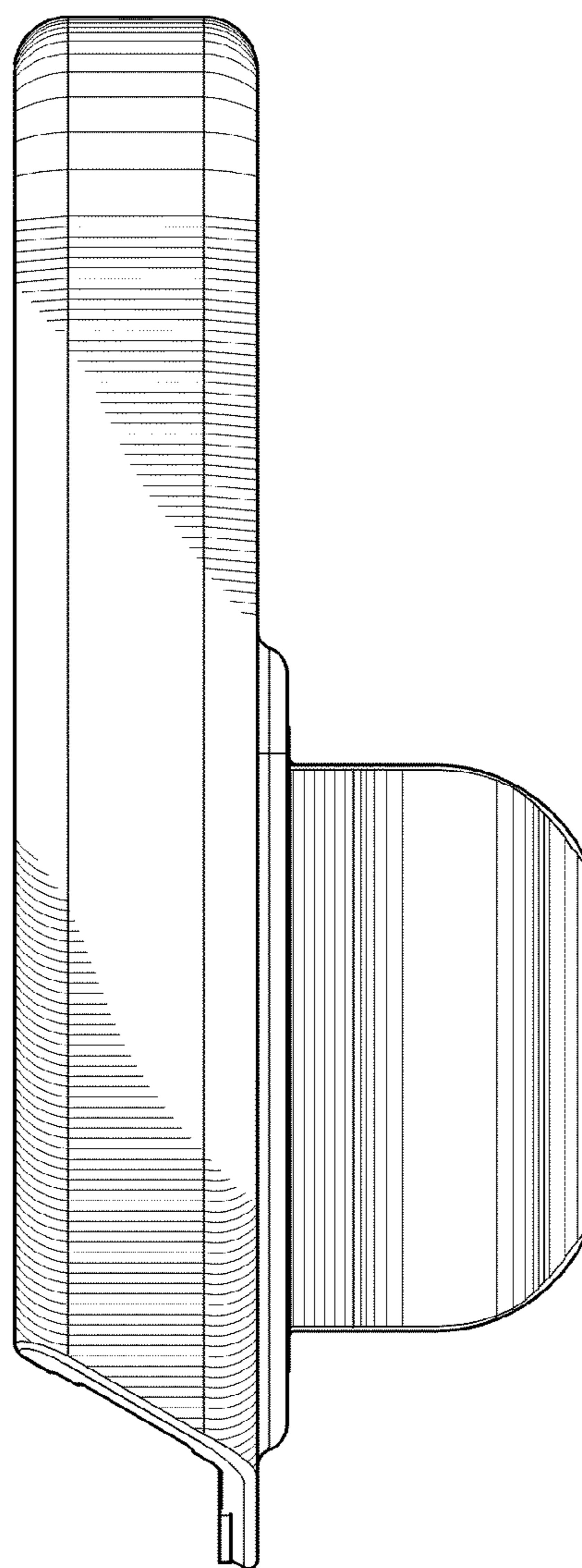


Fig. 16