



US00D648118S

(12) **United States Design Patent**
Safdeye

(10) **Patent No.:** **US D648,118 S**

(45) **Date of Patent:** **** Nov. 8, 2011**

(54) **DETACHABLE UPPER FOR A SHOE**

(75) Inventor: **Gabriel Safdeye**, New York, NY (US)

(73) Assignee: **Vida Shoes International, Inc.**, New York, NY (US)

(**) Term: **14 Years**

(21) Appl. No.: **29/391,345**

(22) Filed: **May 6, 2011**

(51) **LOC (9) Cl.** **02-99**

(52) **U.S. Cl.** **D2/978; D2/917**

(58) **Field of Classification Search** D2/900,
D2/916-918, 943, 946, 969, 974, 976, 978;
36/45, 11.5, 90, 101, 3 A, 50.1, 7.5, 9 R
See application file for complete search history.

(56) **References Cited**

U.S. PATENT DOCUMENTS

2,887,792	A *	5/1959	Staff	36/100
3,011,281	A *	12/1961	King	36/11.5
3,114,982	A *	12/1963	McGowan	482/105
6,651,359	B1 *	11/2003	Bricker	36/101
D493,028	S *	7/2004	Len	D2/976
6,769,204	B1 *	8/2004	Phillips	36/136
D514,285	S *	2/2006	Jarmon Mouchi et al.	D2/946
D516,280	S *	3/2006	Jarmon Mouchi et al.	D2/946
D519,723	S *	5/2006	Jarmon Mouchi et al.	D2/946
D521,213	S *	5/2006	Jarmon Mouchi et al.	D2/946
D523,214	S *	6/2006	Jarmon Mouchi et al.	D2/946
7,481,008	B2 *	1/2009	Lusk	36/100
D634,105	S *	3/2011	Cheshire et al.	D2/925

* cited by examiner

Primary Examiner — Rob Spear

Assistant Examiner — Rashida C McCoy

(74) *Attorney, Agent, or Firm* — Kane Kessler, P.C.; Paul E. Szabo

(57) **CLAIM**

The ornamental design for a detachable upper for a shoe, as shown.

DESCRIPTION

FIG. 1 is a perspective view of a detachable upper for a shoe showing my new design, illustrated in a condition assembled on a shoe;

FIG. 2 is a perspective view similar to FIG. 1 showing the detachable upper for a shoe in a condition detached from the shoe;

FIG. 3 is a top plan view showing the detachable upper for a shoe in the condition assembled on a shoe;

FIG. 4 is a front elevational view thereof;

FIG. 5 is a back elevational view thereof;

FIG. 6 is an enlarged left side elevational view thereof;

FIG. 7 is an enlarged right side elevational view thereof;

FIG. 8 is a top perspective view of the detachable upper for a shoe;

FIG. 9 is a top plan view thereof;

FIG. 10 is a side elevational view thereof, taken along the line 10-10 of FIG. 9;

FIG. 11 is a back elevational view thereof, taken along the line 11-11 of FIG. 9;

FIG. 12 is a bottom plan view thereof;

FIG. 13 is a side elevational view thereof, taken along the line 13-13 of FIG. 12; and,

FIG. 14 is a back elevational view thereof, taken along the line 14-14 of FIG. 12.

The portions of the drawings that are shown in dashed lines are environment and are not part of the claimed design.

1 Claim, 5 Drawing Sheets

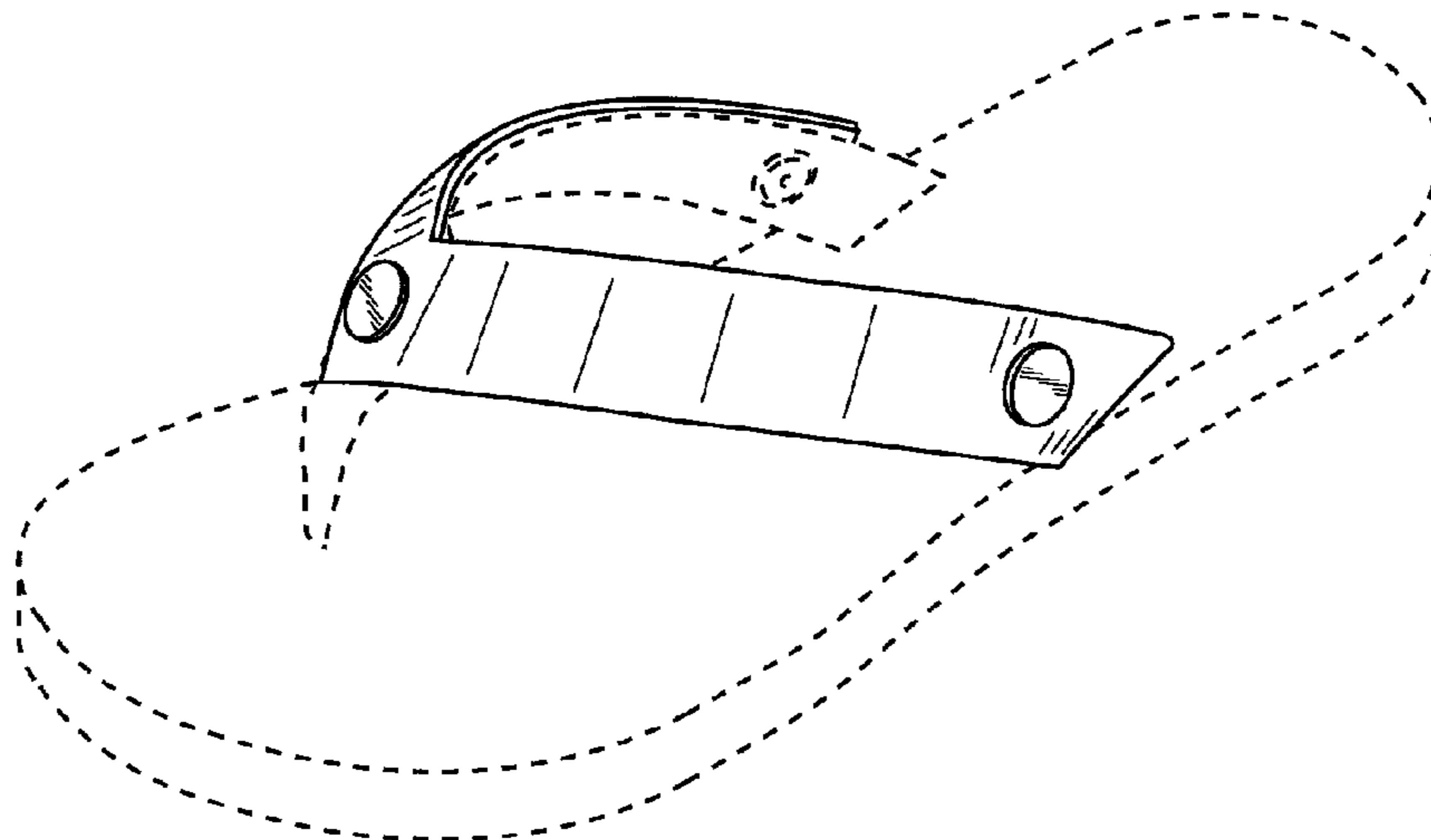


Figure 1

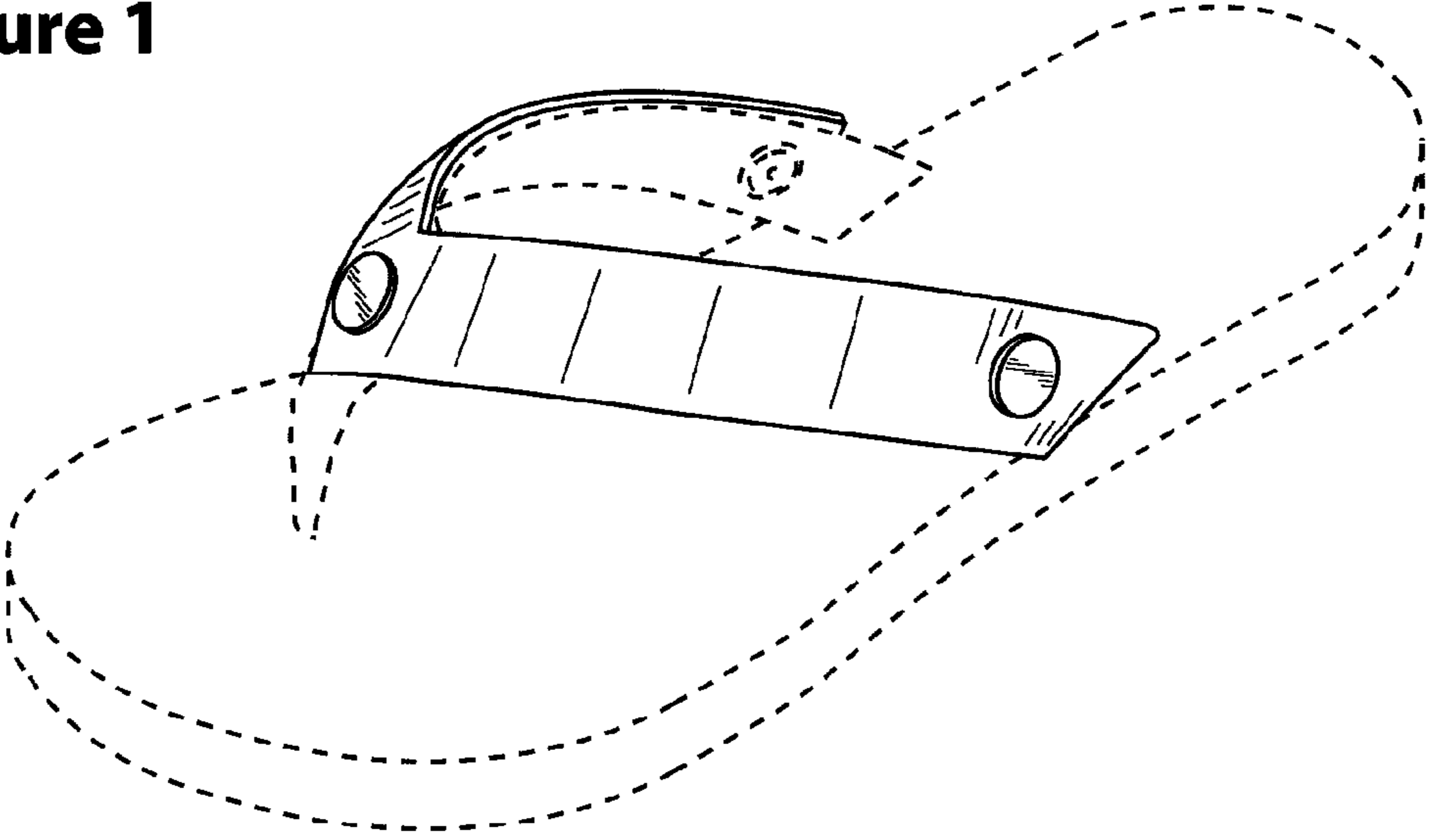


Figure 2

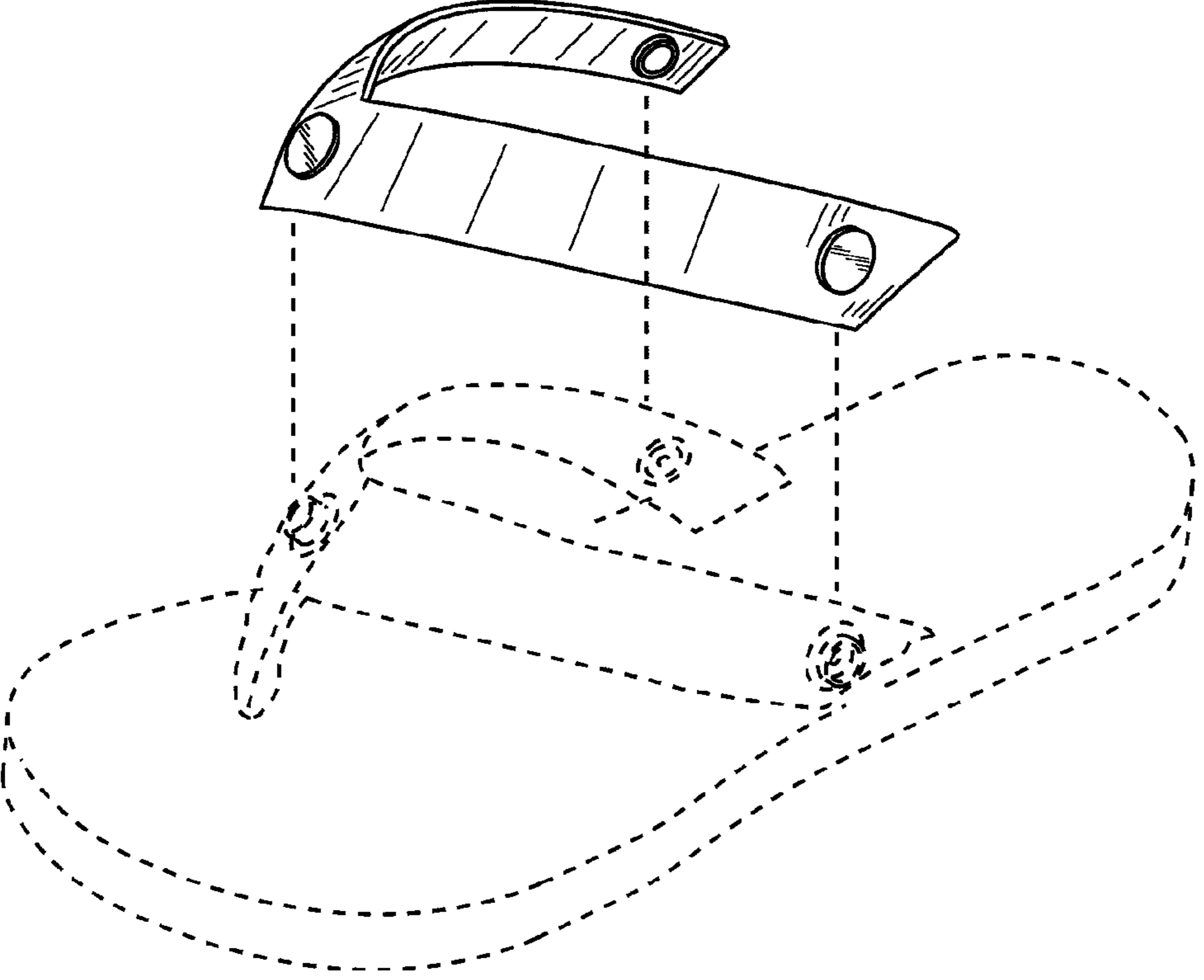


Figure 3

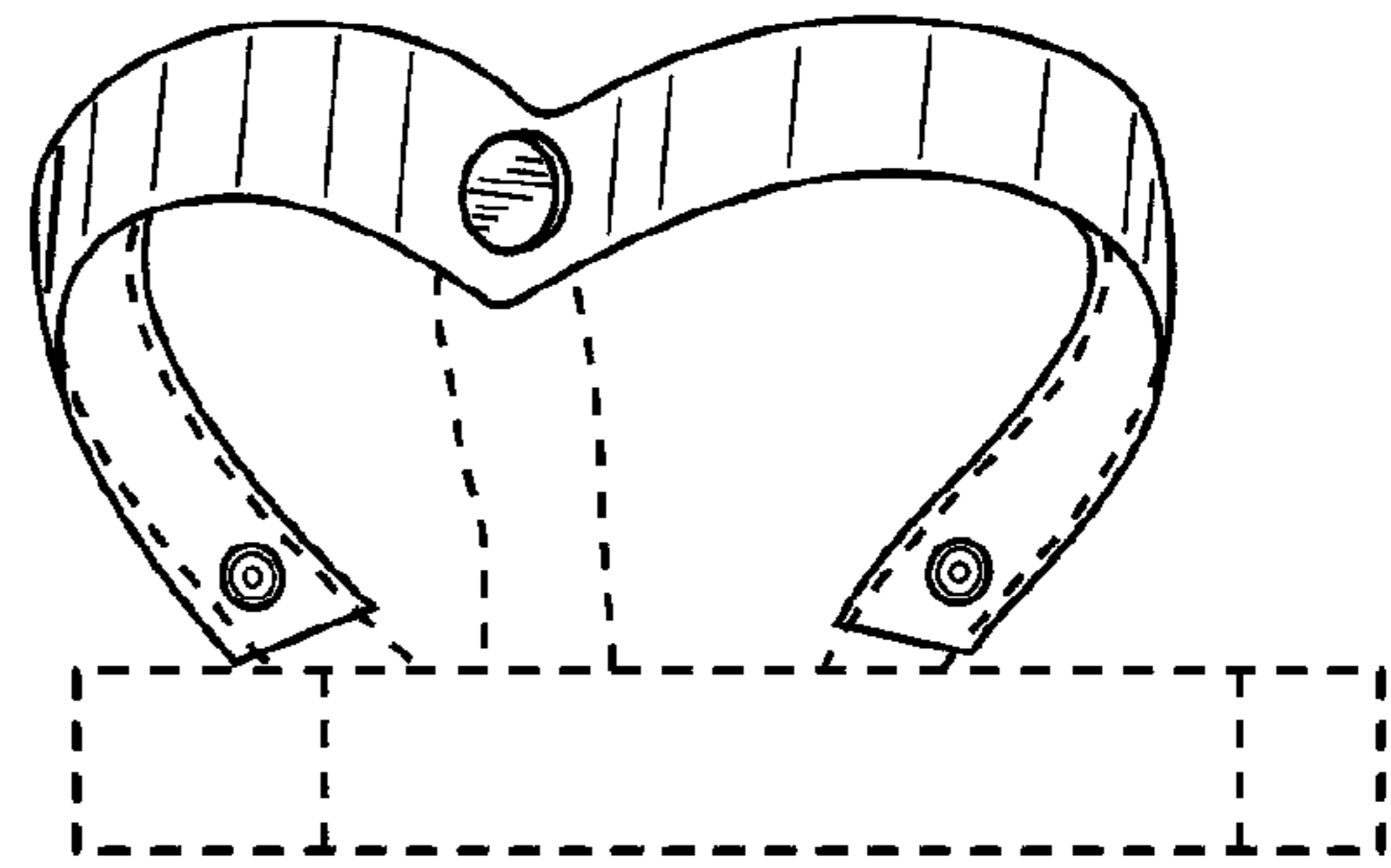
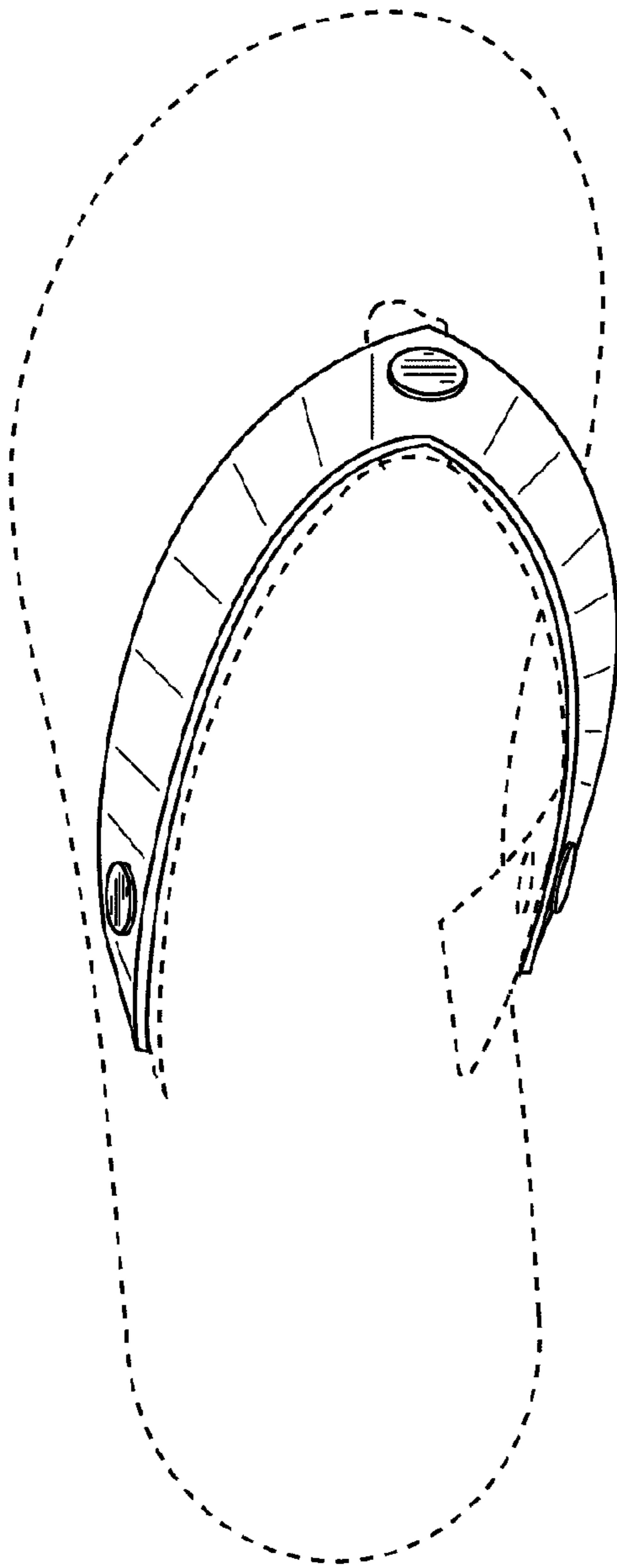


Figure 4

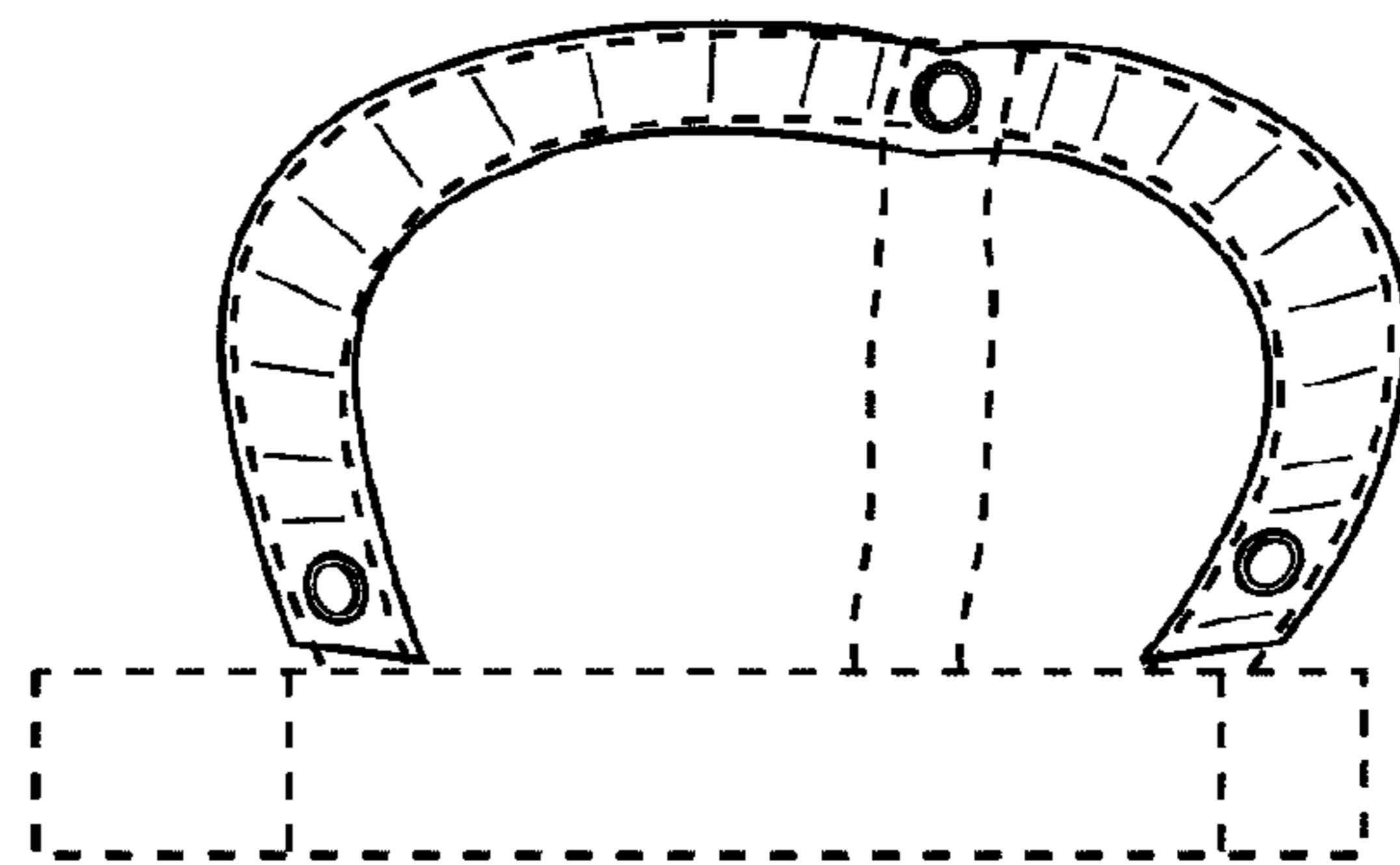


Figure 5

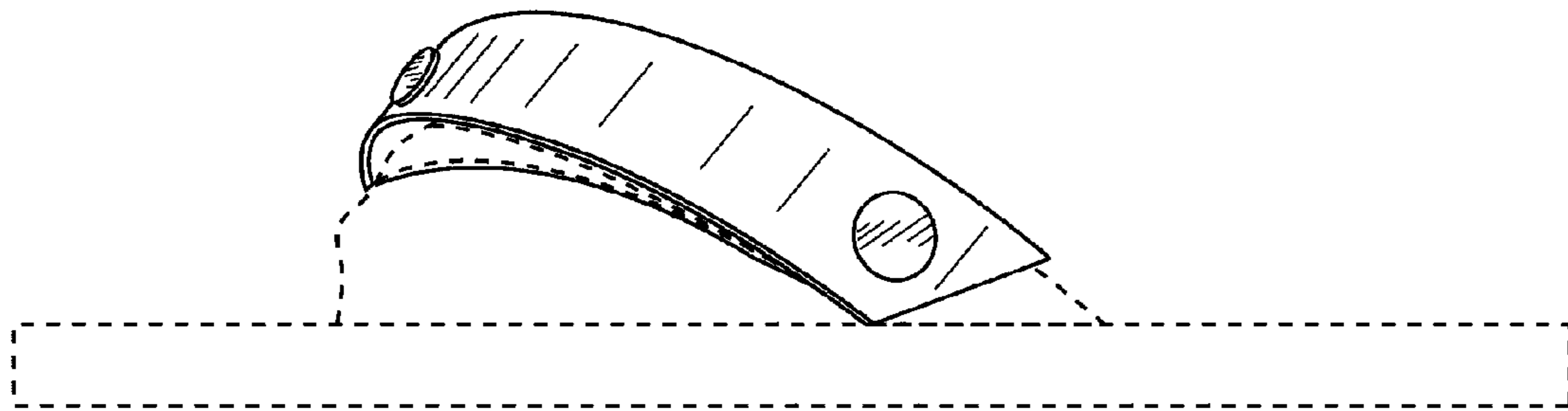


Figure 6

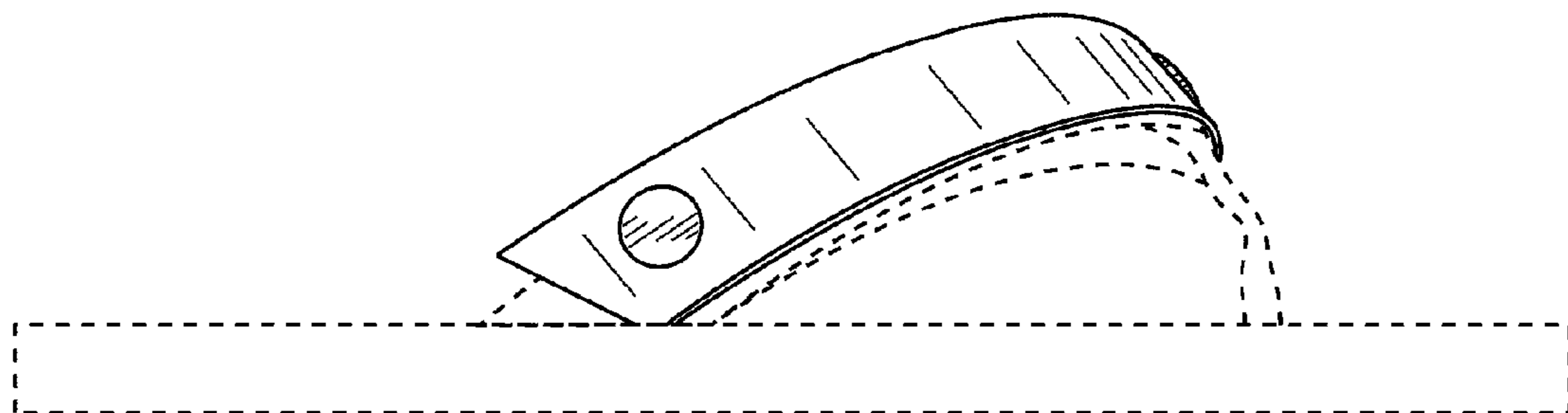


Figure 7

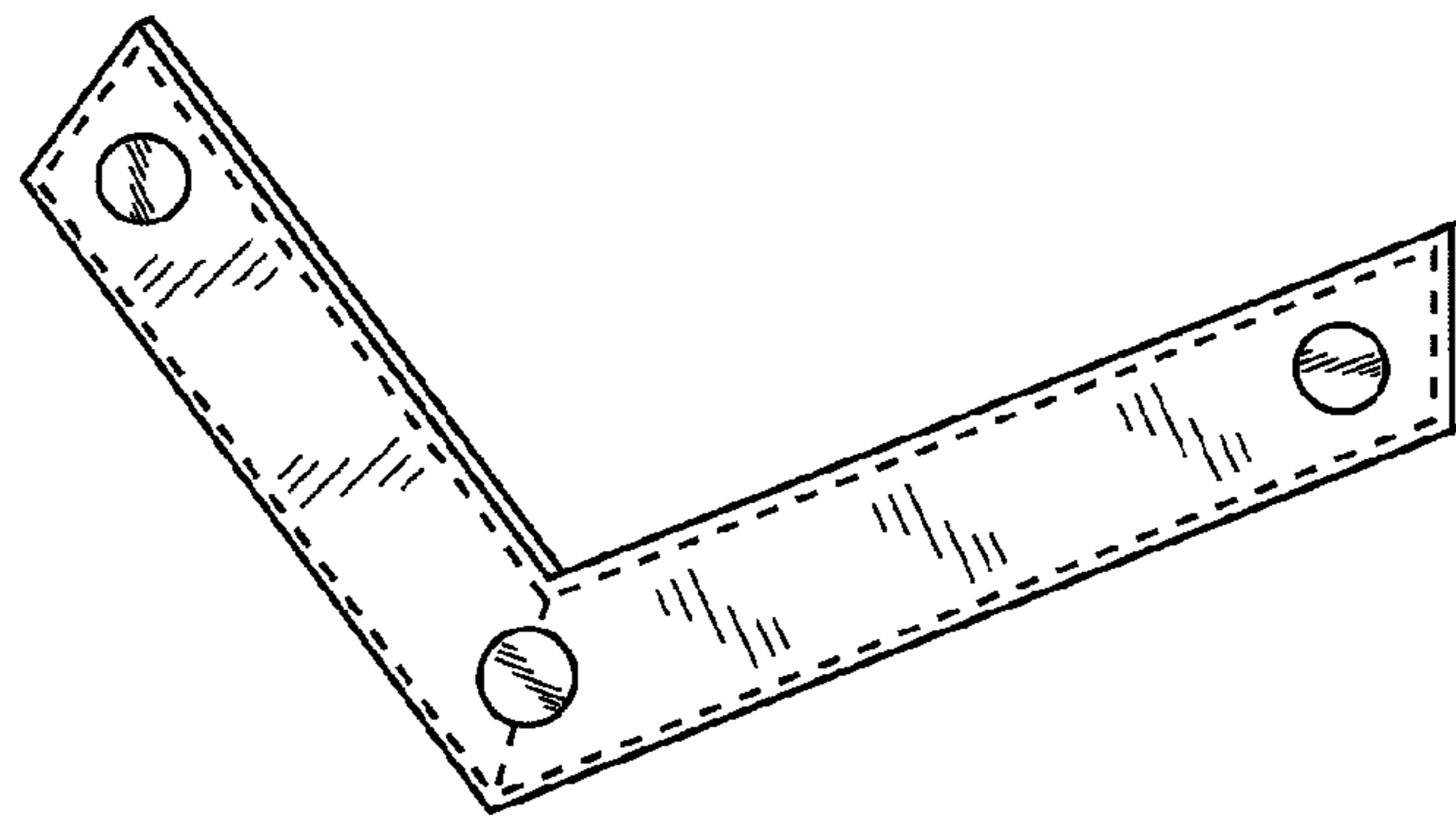


Figure 8

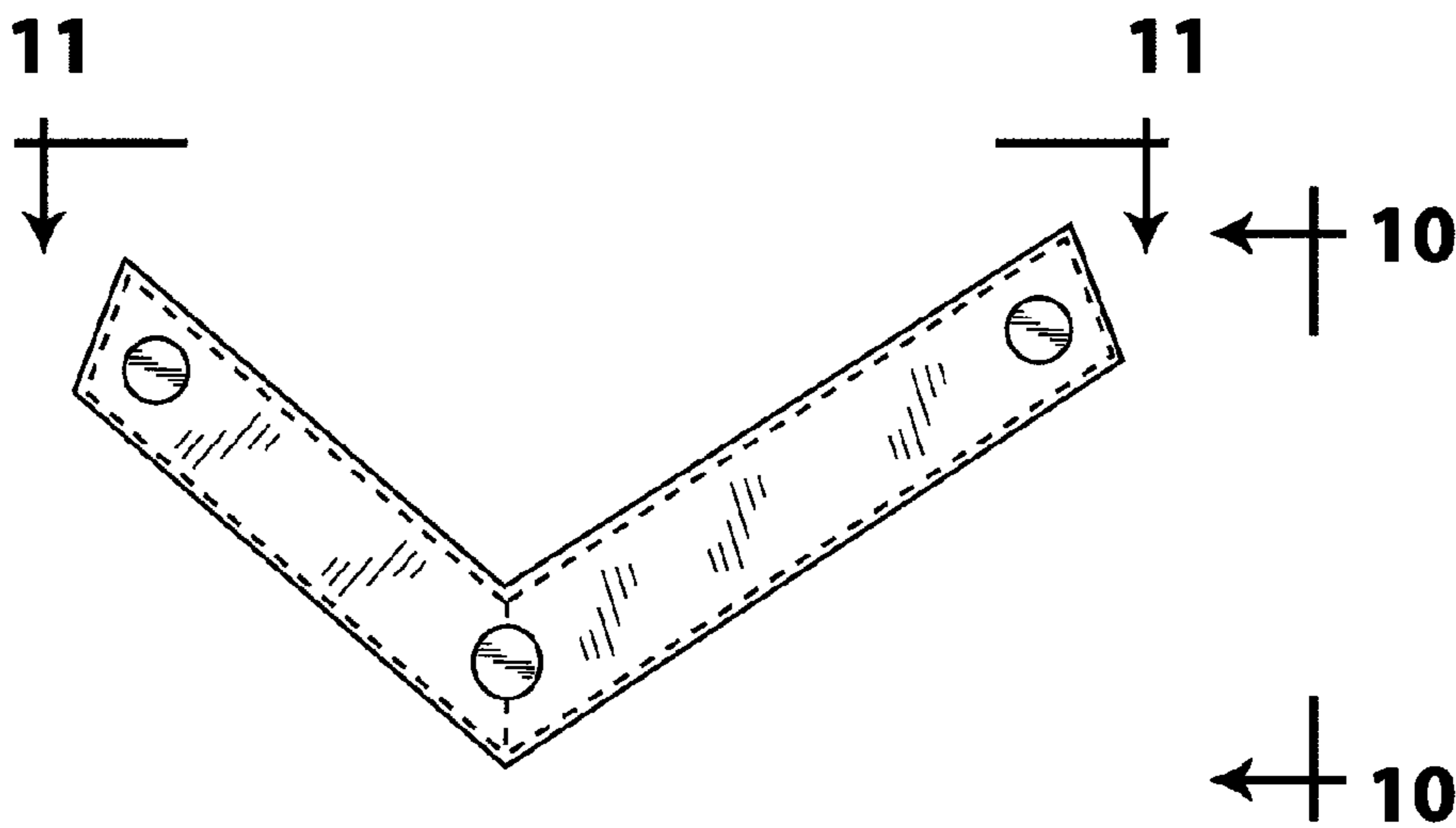


Figure 9

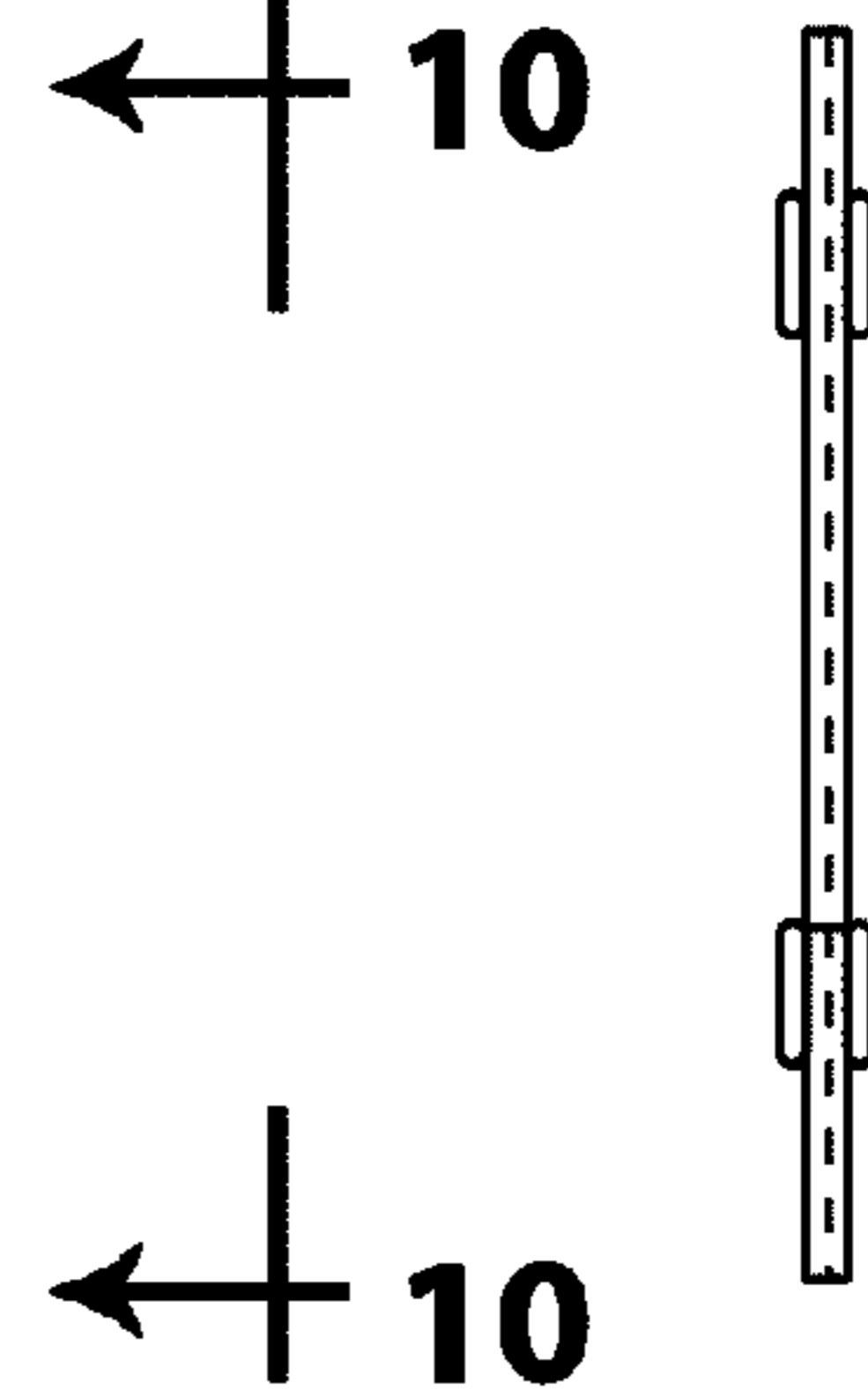


Figure 10



Figure 11

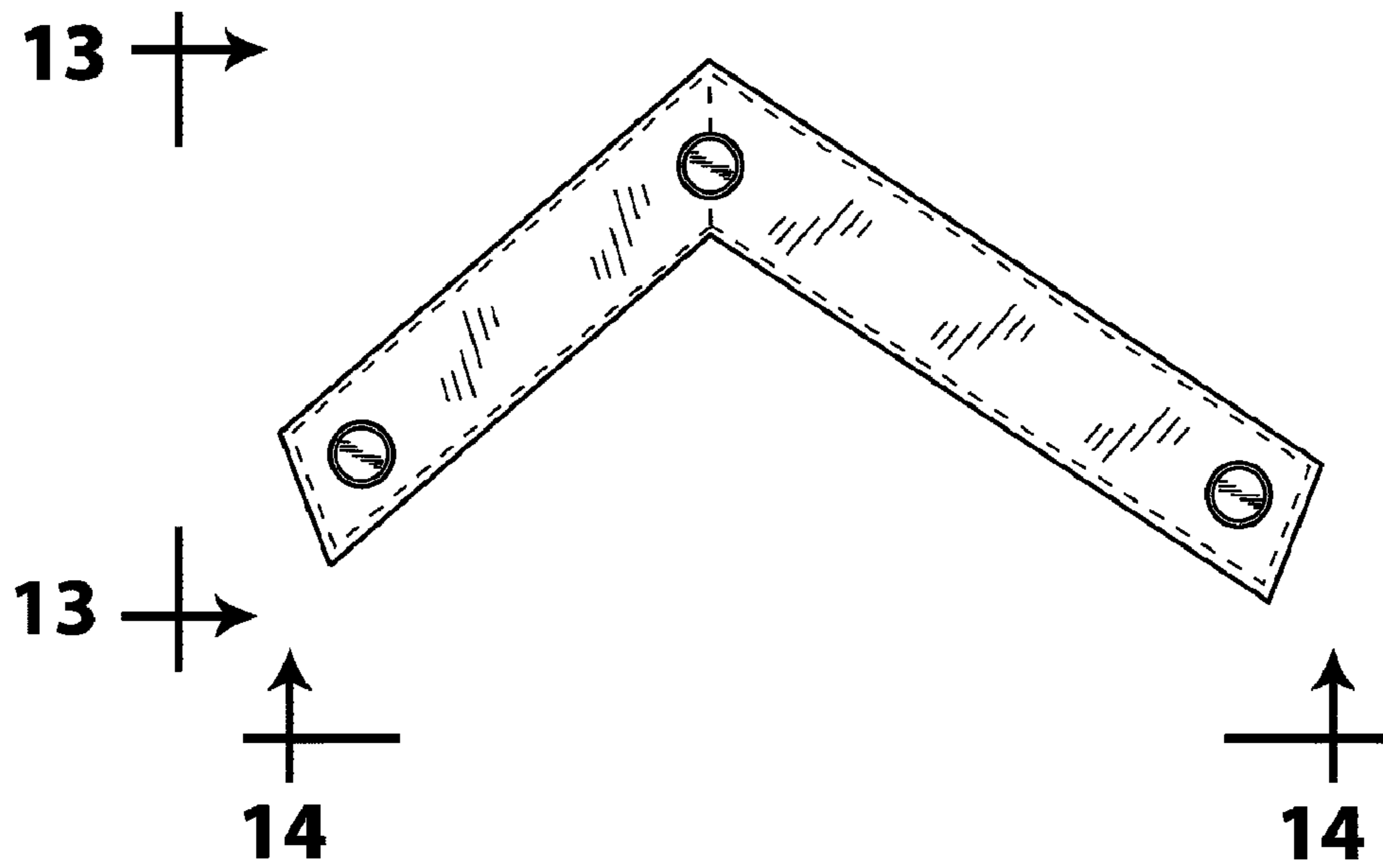


Figure 12



Figure 13



Figure 14