



US00D648112S

(12) **United States Design Patent**
Mermet

(10) **Patent No.:** **US D648,112 S**
(45) **Date of Patent:** **** Nov. 8, 2011**

(54) **SHOE UPPER**

(75) Inventor: **Sebastien Mermet**, Creteil (FR)

(73) Assignee: **NIKE, Inc.**, Beaverton, OR (US)

(**) Term: **14 Years**

(21) Appl. No.: **29/397,945**

(22) Filed: **Jul. 22, 2011**

(51) **LOC (9) Cl.** **02-99**

(52) **U.S. Cl.** **D2/972**

(58) **Field of Classification Search** D2/896,
D2/902, 906-908, 943, 944, 969, 972-974;
36/45-49, 50.1, 77 M, 77 R, 83, 88, 113,
36/114, 126-131

See application file for complete search history.

(56) **References Cited**

U.S. PATENT DOCUMENTS

611,266 A *	9/1898	Morse	36/131
D225,093 S	11/1972	Dassler	
D258,548 S *	3/1981	Famolare, Jr.	D2/908
D279,620 S	7/1985	Ueda	
D297,781 S *	9/1988	Diaz et al.	D2/973
D299,184 S *	1/1989	McCrea	D2/973
D323,926 S	2/1992	Brown et al.	
D334,649 S *	4/1993	McDonald	D2/969
D347,724 S *	6/1994	Teague	D2/969
D349,396 S	8/1994	Hatfield	
D349,601 S *	8/1994	Buck, IV	D2/969
D377,262 S	1/1997	Lucas	
D377,263 S	1/1997	Lucas	
D401,051 S	11/1998	Hamel	
D401,756 S *	12/1998	Avar	D2/972
D441,181 S	5/2001	Morgan	
D460,253 S *	7/2002	Adams	D2/972
D461,629 S	8/2002	Blakeslee	

D461,950 S *	8/2002	Adams	D2/969
D469,247 S *	1/2003	Adams	D2/972
D474,334 S *	5/2003	Burg et al.	D2/969
D490,230 S *	5/2004	Mervar	D2/972
D495,866 S	9/2004	Holmes	
D500,408 S	1/2005	Rask	
D510,475 S	10/2005	Hlavacs	
D515,302 S	2/2006	Gillespie	
D527,883 S	9/2006	Holmes	
D546,049 S *	7/2007	Mermet	D2/972
D560,893 S *	2/2008	Belley et al.	D2/969
D590,139 S	4/2009	Carlucci	
D595,484 S	7/2009	Purdom et al.	
D624,742 S	10/2010	Akhidime	
D624,744 S	10/2010	Yi	

OTHER PUBLICATIONS

Nike Footwear Catalog, Performance: Fall 1986, p. 4, published Jan. 1986, Nike, Inc., USA.

(Continued)

Primary Examiner — Dominic Simone

(74) *Attorney, Agent, or Firm* — Banner & Witcoff, Ltd.

(57)

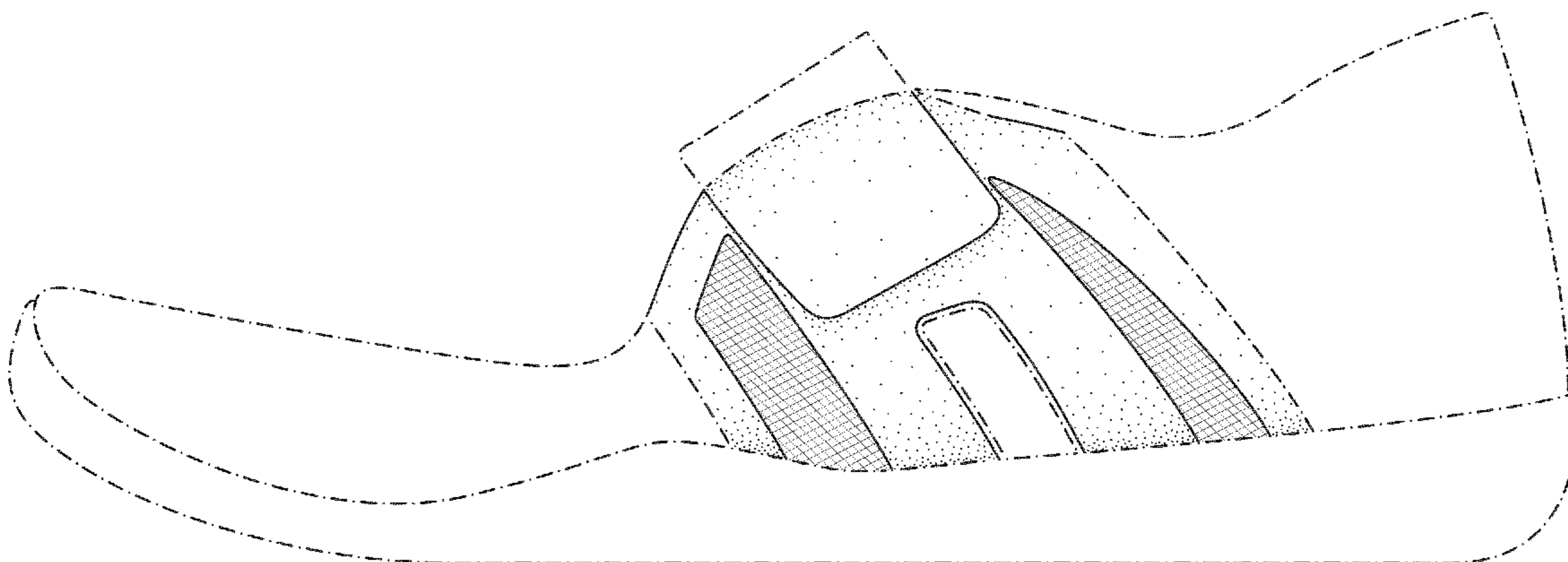
CLAIM

The ornamental design for a shoe upper, as shown and described.

DESCRIPTION

FIG. 1 is a front perspective view of a shoe upper showing my new design;
FIG. 2 is a side view thereof; and,
FIG. 3 is a rear perspective view thereof.
The broken lines immediately adjacent to the shaded area represent unclaimed boundaries of the design. The broken lines showing the remainder of the shoe are for environmental purposes only and form no part of the claimed design.

1 Claim, 3 Drawing Sheets



OTHER PUBLICATIONS

Nike Footwear Catalog, Men's Specialty and Women's & Kids' Footwear: Fall 1998, p. M22, published Dec. 1997, Nike, Inc., USA.

Nike Footwear Catalog, Footwear: Late Spring 2005, p. 11, published Aug. 2004, Nike, Inc., USA.

Nike Footwear Catalog, Women's Running Footwear: Spring 2011, p. 3, published date unknown, but prior to the filing date of the present application, Nike, Inc., USA.

Nike Footwear Catalog, Men's Performance Footwear: Fall 2011, p. 64, published Nov. 2010, Nike, Inc., USA.

Nike Footwear Catalog, Men's Performance Footwear: Fall 2011, p. 66, published Nov. 2010, Nike, Inc., USA.

Nike Footwear Catalog, Core Footwear: Holiday 2011, p. 43, published date unknown, but prior to the filing date of the present application, Nike, Inc., USA.

Shox NZ 2.0, 1 page of full-color photographs, published Summer 2010, Nike, Inc., USA.

* cited by examiner

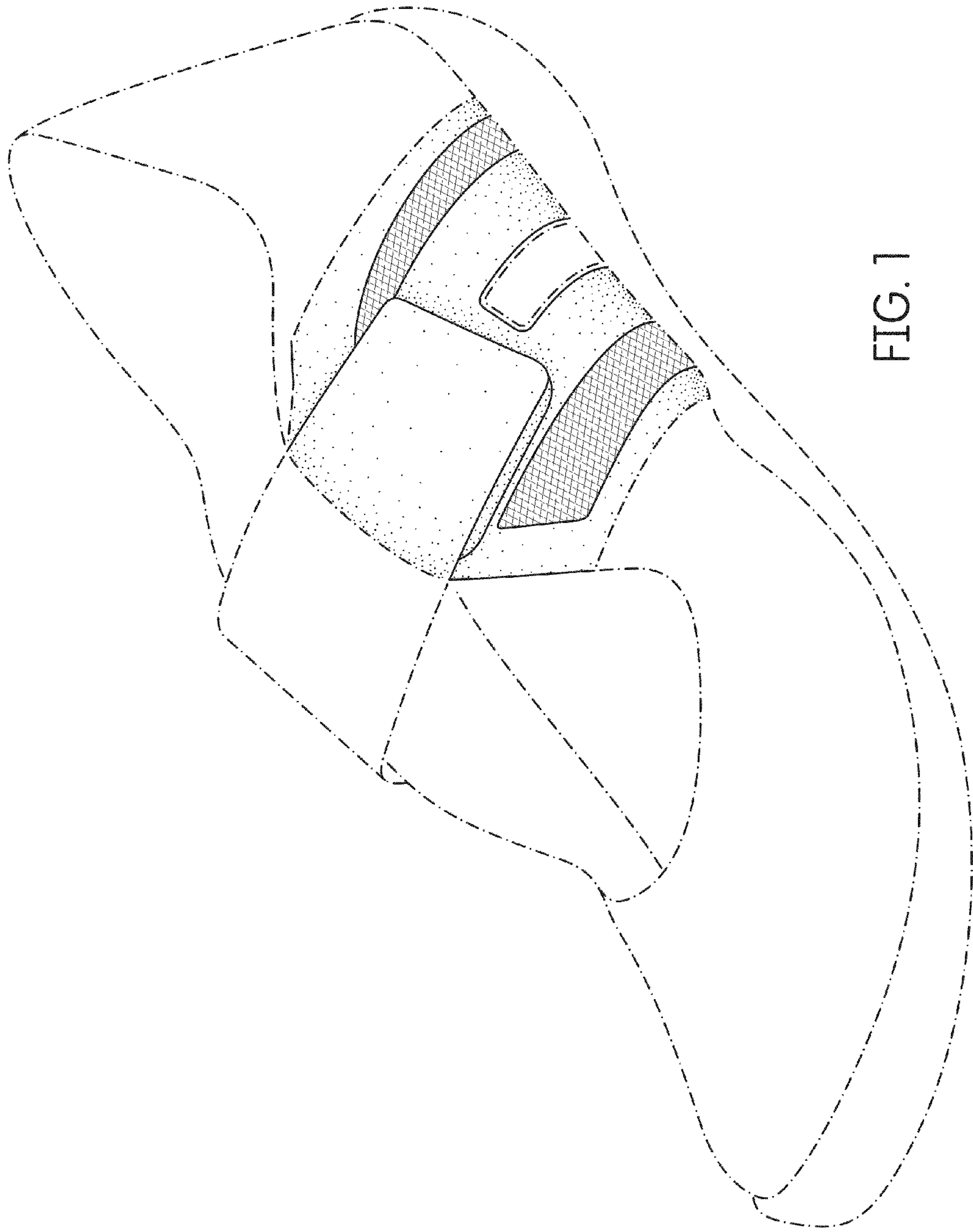


FIG. 1

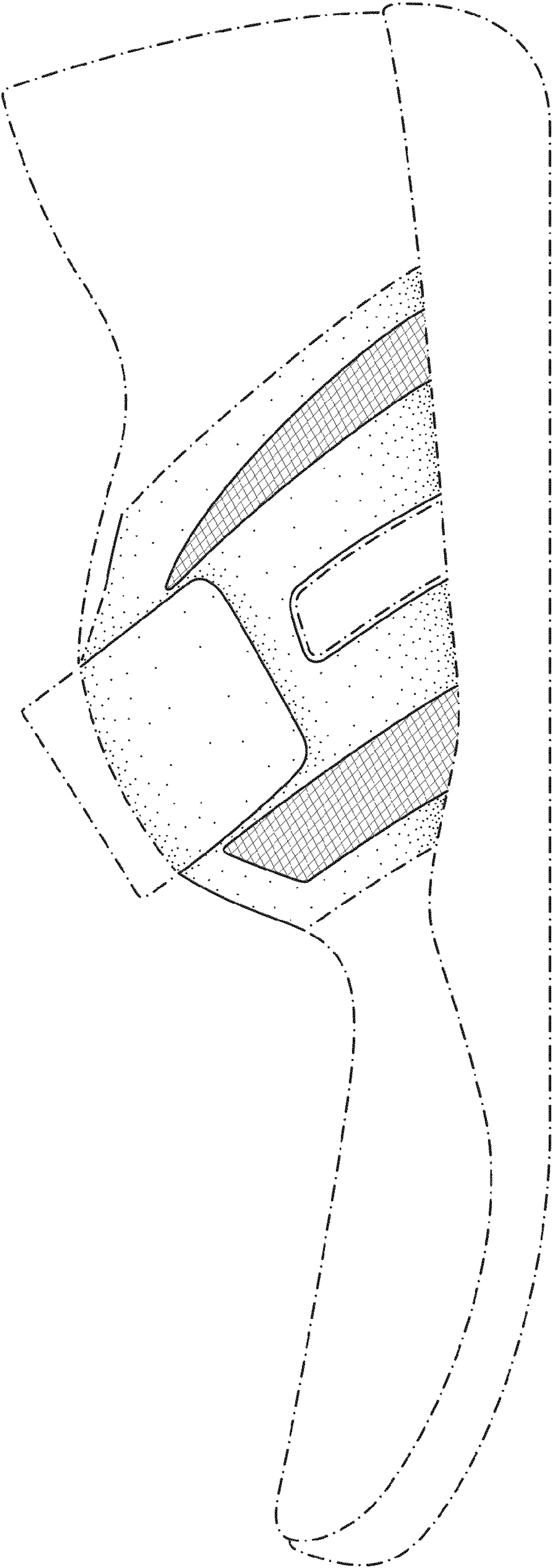


FIG. 2

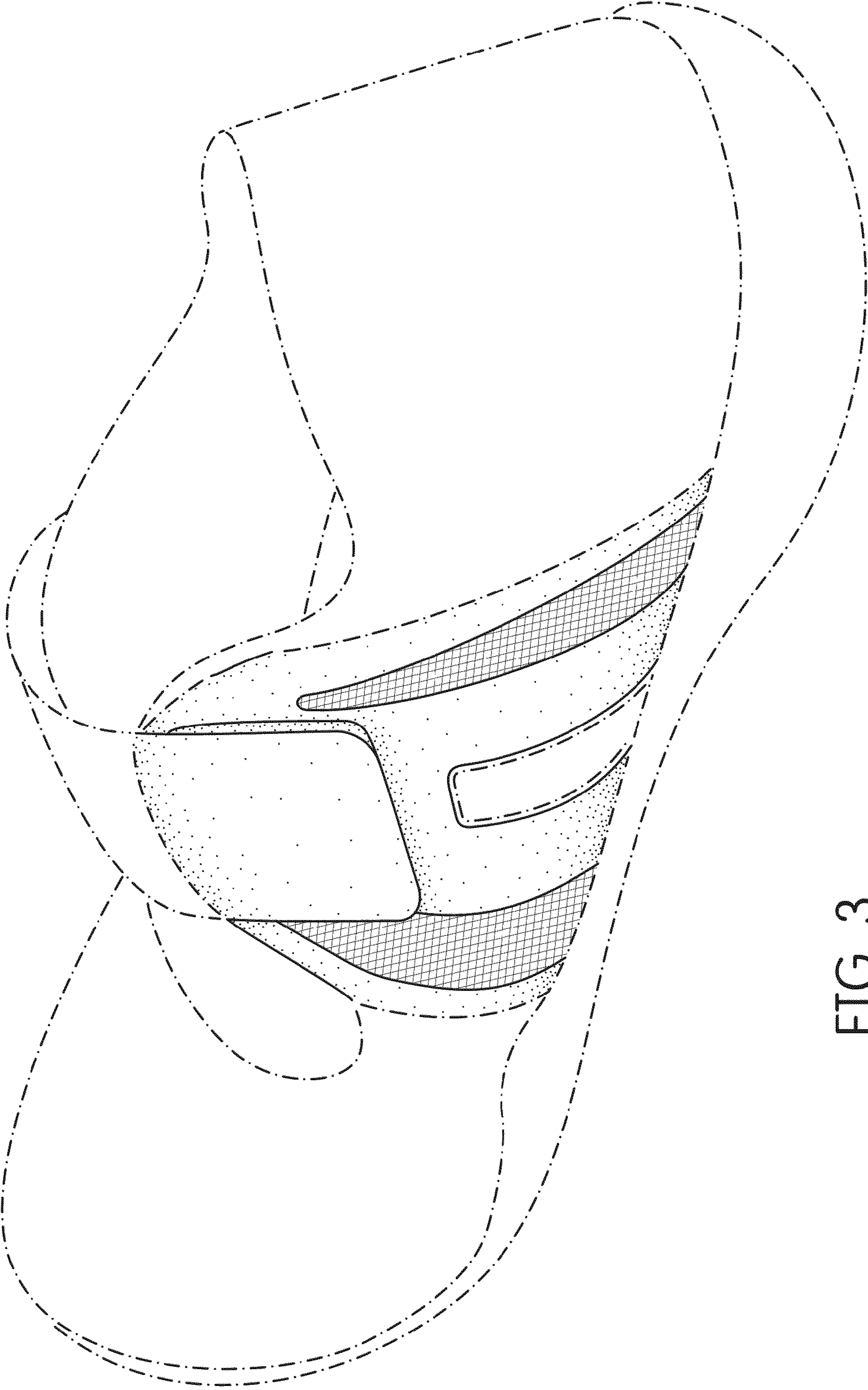


FIG. 3