



US00D648107S

(12) **United States Design Patent**
Spring

(10) **Patent No.:** **US D648,107 S**

(45) **Date of Patent:** **** Nov. 8, 2011**

(54) **FOOTWEAR**

(75) Inventor: **Angie Spring**, Portland, OR (US)

(73) Assignee: **Sorel Corporation**, Portland, OR (US)

(**) Term: **14 Years**

(21) Appl. No.: **29/391,674**

(22) Filed: **May 11, 2011**

(51) **LOC (9) Cl.** **02-99**

(52) **U.S. Cl.** **D2/969; D2/917**

(58) **Field of Classification Search** D2/916,
D2/917, 918, 925, 926, 929-936, 942, 969,
D2/971; 36/86, 100, 101, 45-49, 11.5, 8.3,
36/83, 88, 3 A, 7.5

See application file for complete search history.

(56) **References Cited**

U.S. PATENT DOCUMENTS

D147,308 S *	8/1947	Steel	D2/917
D169,015 S *	3/1953	Ssicca	D2/917
D217,083 S *	4/1970	Englebert	D2/917
D343,947 S *	2/1994	Coito et al.	D2/917
D448,146 S *	9/2001	Jacobs	D2/917
D495,855 S *	9/2004	Comeau	D2/917
D496,147 S *	9/2004	Comeau	D2/917
D577,182 S *	9/2008	Comeau	D2/917

D581,149 S *	11/2008	Comeau	D2/973
D591,488 S *	5/2009	Hardy	D2/917
D600,432 S *	9/2009	Feller et al.	D2/917

* cited by examiner

Primary Examiner — Rob Spear

Assistant Examiner — Rashida C McCoy

(74) *Attorney, Agent, or Firm* — Schwabe, Williamson & Wyatt, P.C.

(57) **CLAIM**

I claim an ornamental design for footwear, as shown and described.

DESCRIPTION

FIG. 1 is a perspective view of footwear, showing my new design;

FIG. 2 is a left side view thereof;

FIG. 3 is a right side view thereof;

FIG. 4 is a front view thereof;

FIG. 5 is a back view thereof;

FIG. 6 is a top view thereof; and,

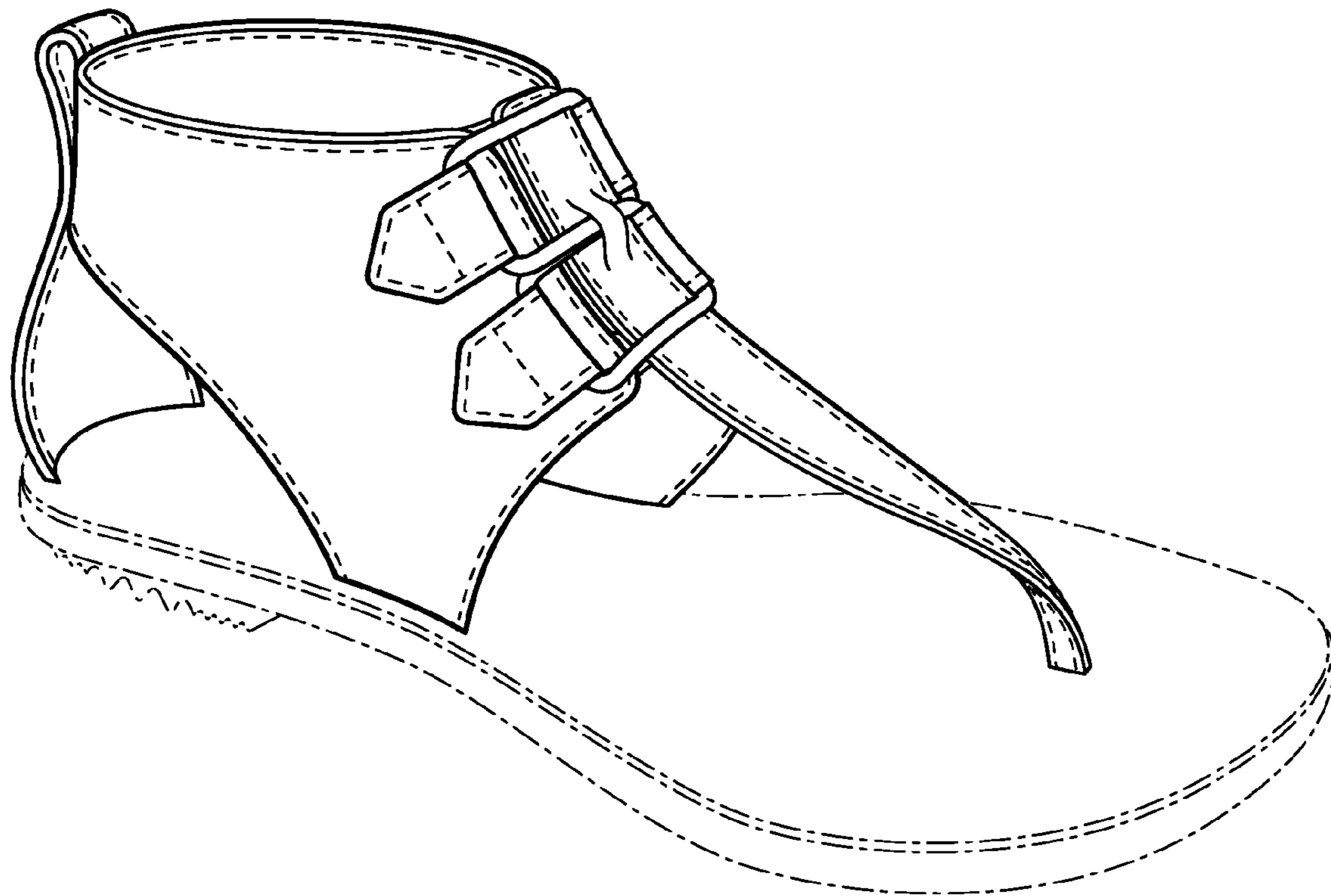
FIG. 7 is a bottom thereof.

The large dashed lines are included for illustrating environmental structure and form no part of the claimed design. The small dashed lines represent stitching and form no part of the claimed design.

The evenly spaced dashed lines represent claimed stitching.

The dash-dot-dash lines illustrate environmental structure and form no part of the claimed design.

1 Claim, 4 Drawing Sheets



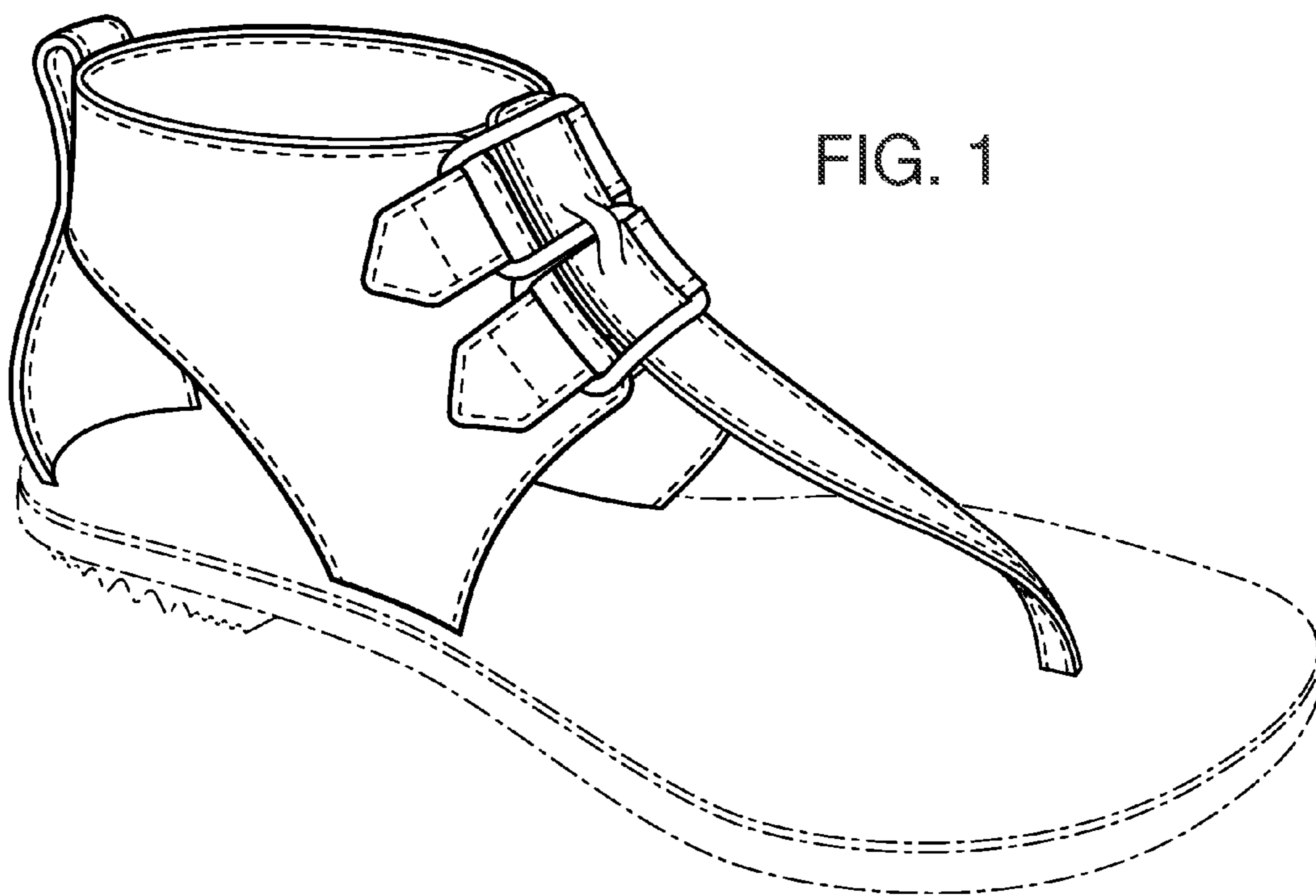


FIG. 1

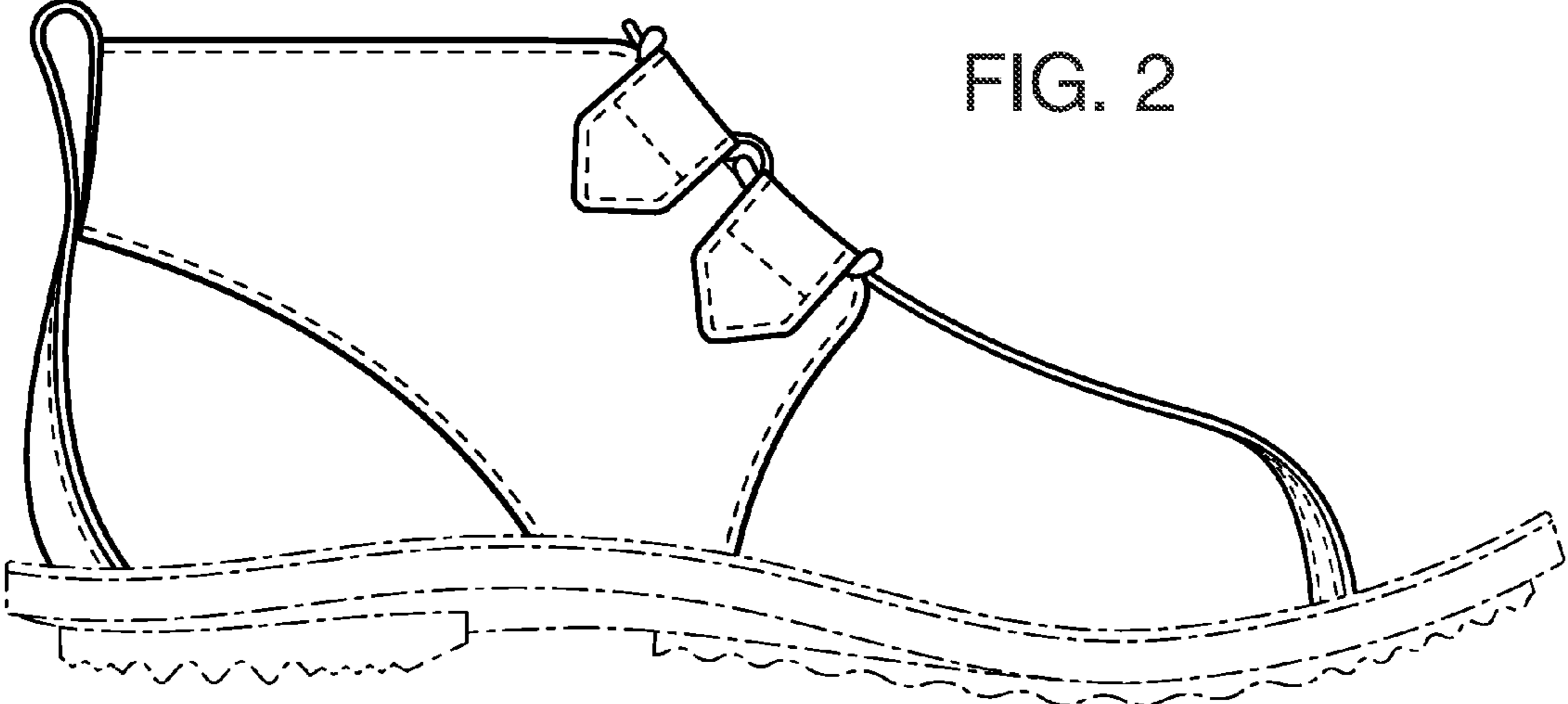


FIG. 2

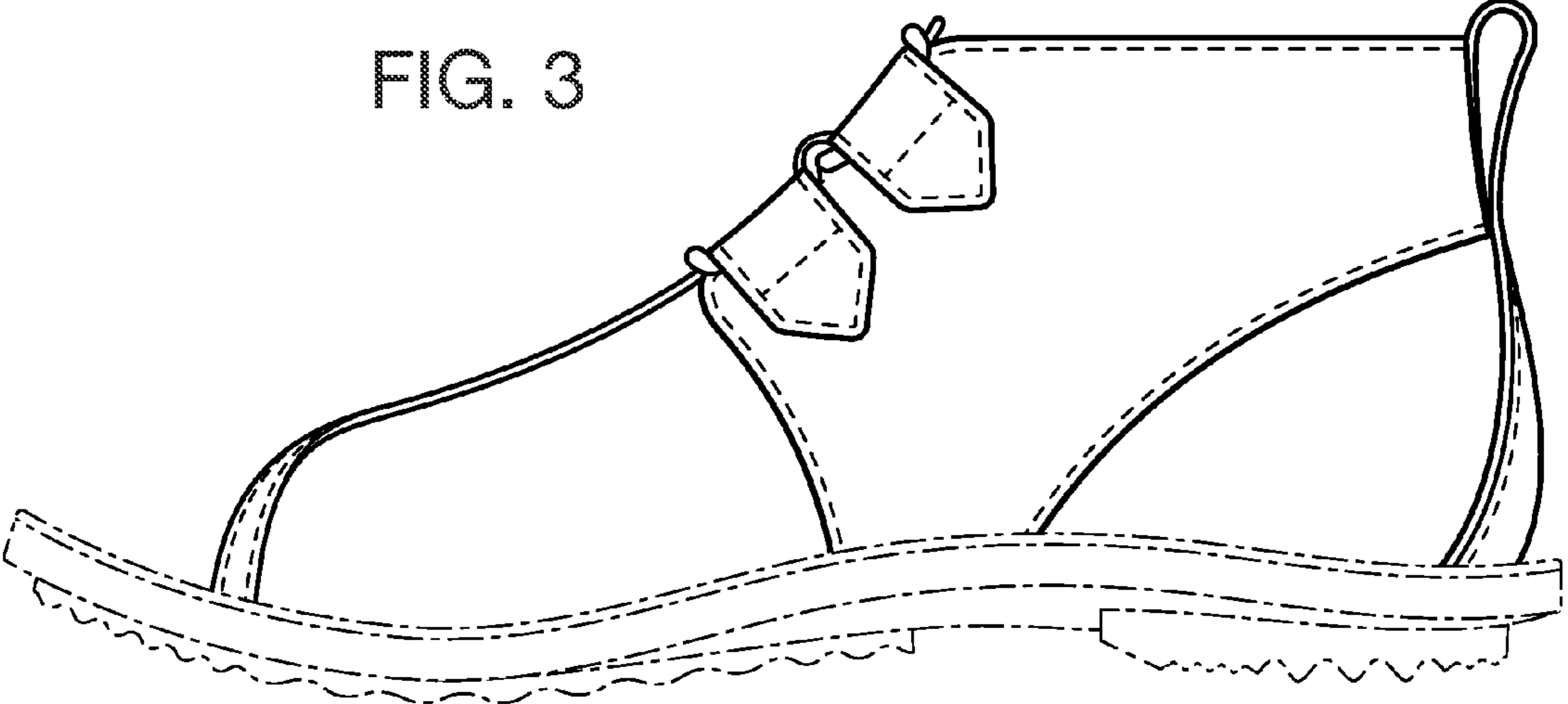


FIG. 3

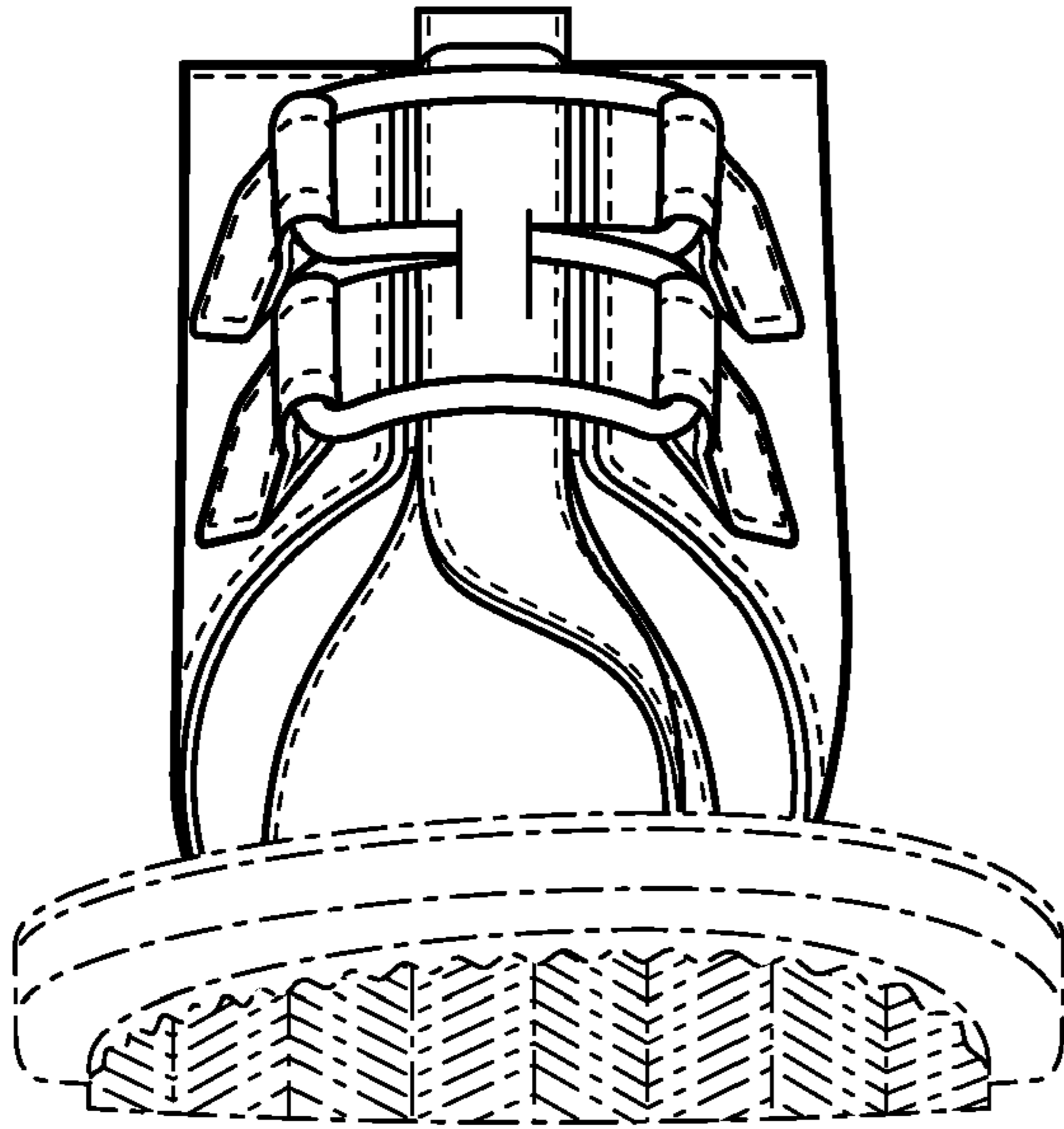
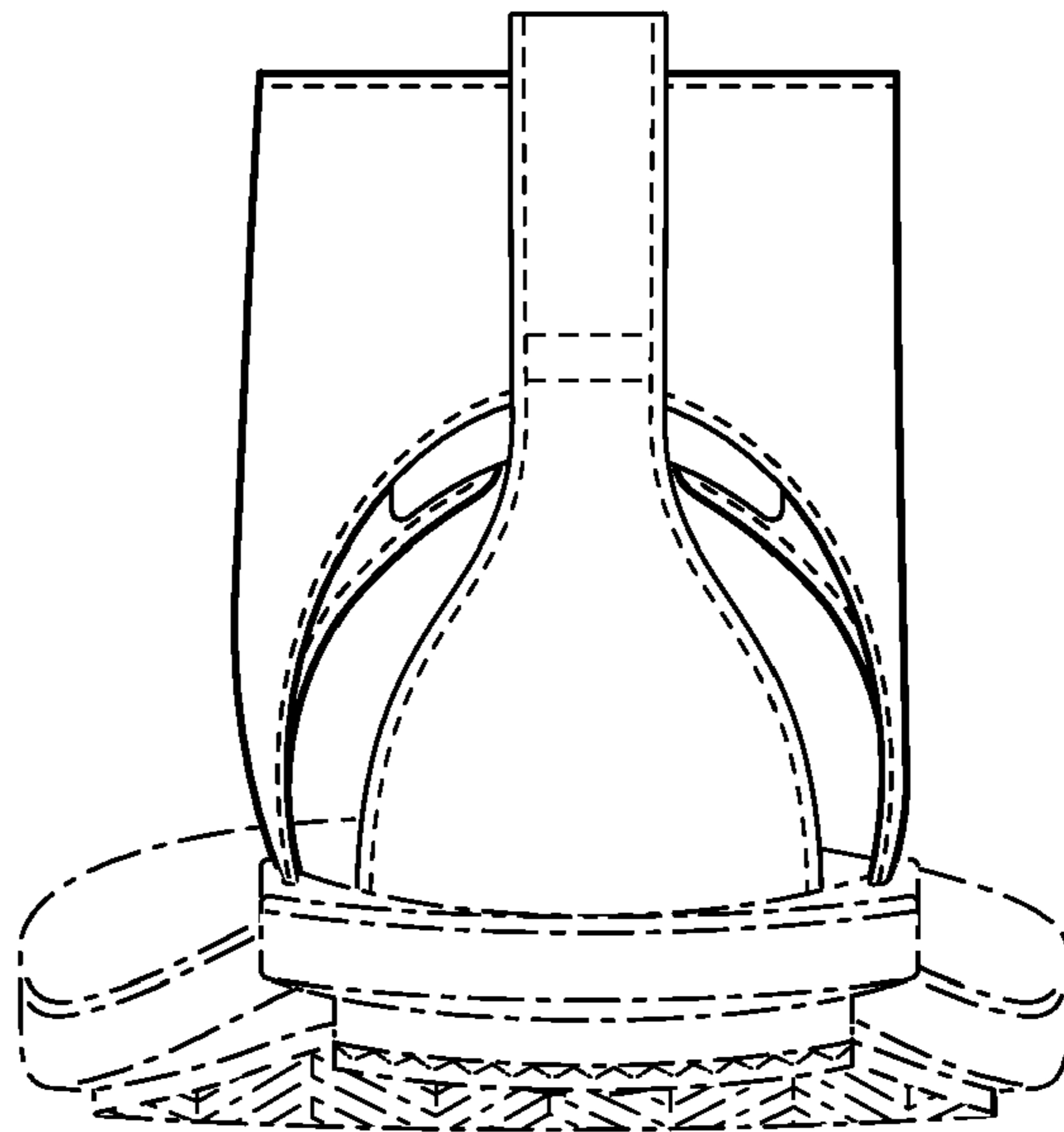


FIG. 4

FIG. 5



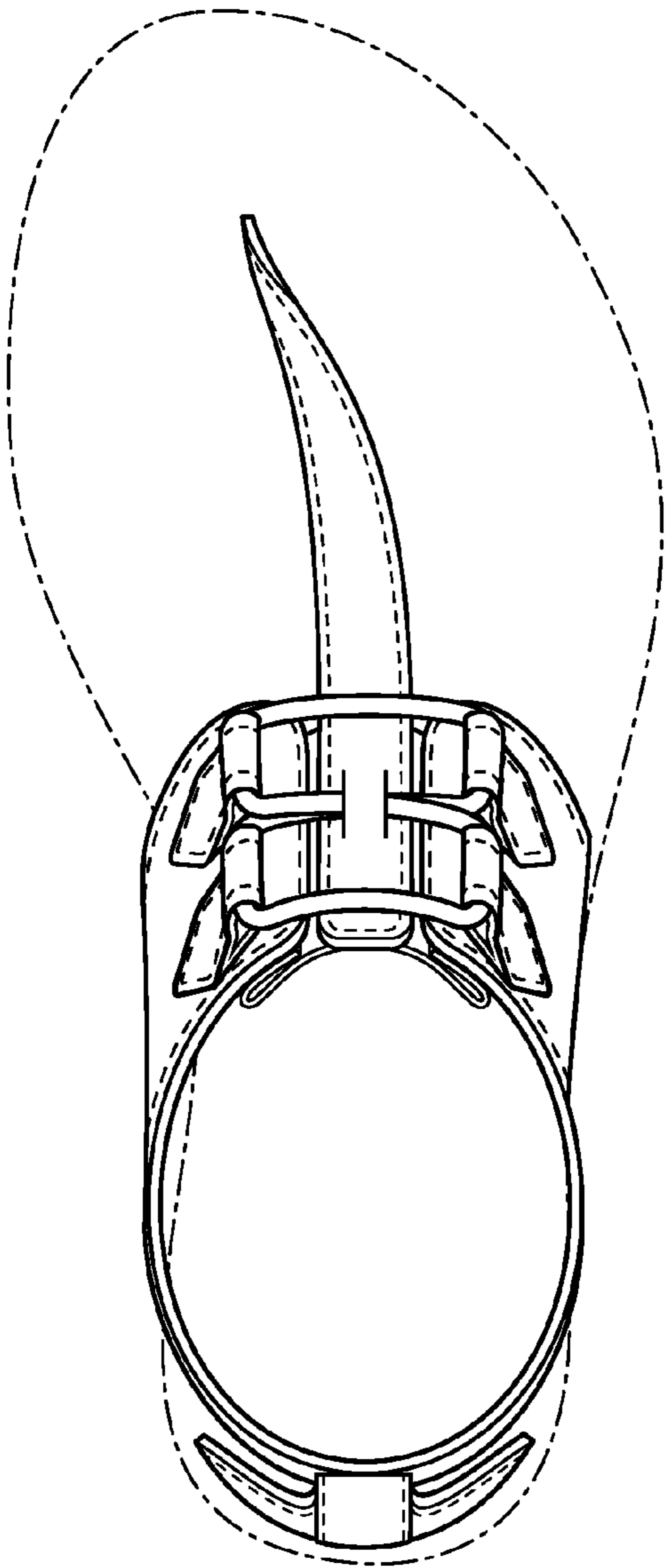


FIG. 6

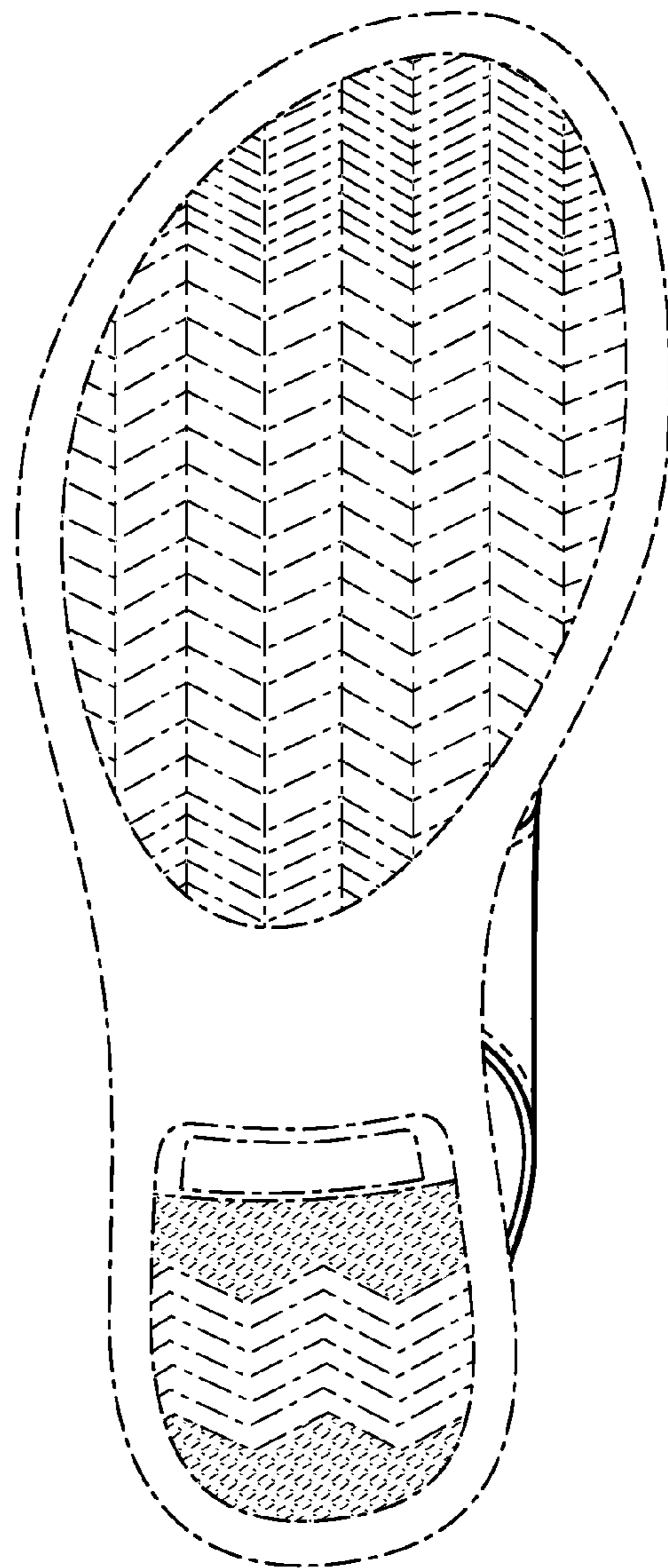


FIG. 7