



US00D648101S

(12) **United States Design Patent**  
**Weaver**

(10) **Patent No.:** **US D648,101 S**

(45) **Date of Patent:** **\*\* Nov. 8, 2011**

(54) **DISPOSABLE BIB**

(76) Inventor: **Kay C. Weaver**, Bridgeport, TX (US)

(\*\*) Term: **14 Years**

(21) Appl. No.: **29/384,352**

(22) Filed: **Jan. 31, 2011**

(51) **LOC (9) Cl.** ..... **02-02**

(52) **U.S. Cl.** ..... **D2/861**

(58) **Field of Classification Search** ..... D2/860-864;  
2/46, 49.1, 49.2, 49.4, 50, 51

See application file for complete search history.

(56) **References Cited**

**U.S. PATENT DOCUMENTS**

2,653,324	A *	9/1953	McMahon	.....	2/49.2
D182,148	S *	2/1958	Turner	.....	D2/861
3,016,544	A *	1/1962	Pinkney	.....	2/49.1
3,654,629	A	4/1972	Crisman et al.		
3,857,116	A *	12/1974	Meeker	.....	2/50
3,995,321	A	12/1976	Johnson		
4,445,231	A	5/1984	Noel		
4,660,225	A *	4/1987	Kahn	.....	2/49.4
4,780,911	A *	11/1988	Mack	.....	2/49.1
4,975,982	A	12/1990	Hughes		
D313,693	S *	1/1991	Coates	.....	D2/861
5,809,568	A	9/1998	Morris-Jones		
5,930,836	A	8/1999	Morris		
6,141,799	A	11/2000	Morris		
D442,353	S *	5/2001	Macias	.....	D2/862
6,237,150	B1 *	5/2001	Lucas	.....	2/49.1
6,256,788	B1	7/2001	Loewer et al.		
6,282,716	B1	9/2001	Patterson et al.		
6,308,333	B1	10/2001	Jackson		
D463,653	S *	10/2002	Maw	.....	D2/862
7,526,815	B1	5/2009	Kelly		
D639,531	S *	6/2011	Hocker	.....	D2/861
2001/0047532	A1	12/2001	Marrero		
2004/0128729	A1 *	7/2004	Lat	.....	2/46
2009/0188016	A1 *	7/2009	Arthur-Mensah et al.	.....	2/49.4

**FOREIGN PATENT DOCUMENTS**

JP 2006299431 A \* 11/2006

**OTHER PUBLICATIONS**

Pima Threads. <http://www.pimathreads.com/shop/blue-dot-bib-p-69.html>. Date Unknown: Copyright 2008-2011. "Blue Dot Bib".\*

\* cited by examiner

*Primary Examiner* — Stella Reid

*Assistant Examiner* — Rashida Johnson

(74) *Attorney, Agent, or Firm* — Montgomery Patent & Design; Robert C. Montgomery; Joseph T Yaksich

(57) **CLAIM**

The ornamental design for a disposable bib, as shown and described.

**DESCRIPTION**

FIG. 1 is a front perspective view of an octagonal embodiment of a disposable bib, showing my new design;

FIG. 2 is a front view thereof;

FIG. 3 is a rear view thereof;

FIG. 4 is a right side view thereof;

FIG. 5 is left side view thereof;

FIG. 6 is a top view thereof;

FIG. 7 is a bottom view thereof;

FIG. 8 is a front perspective view of a round embodiment of the disposable bib;

FIG. 9 is a front view thereof;

FIG. 10 is rear view thereof;

FIG. 11 is a left side view thereof;

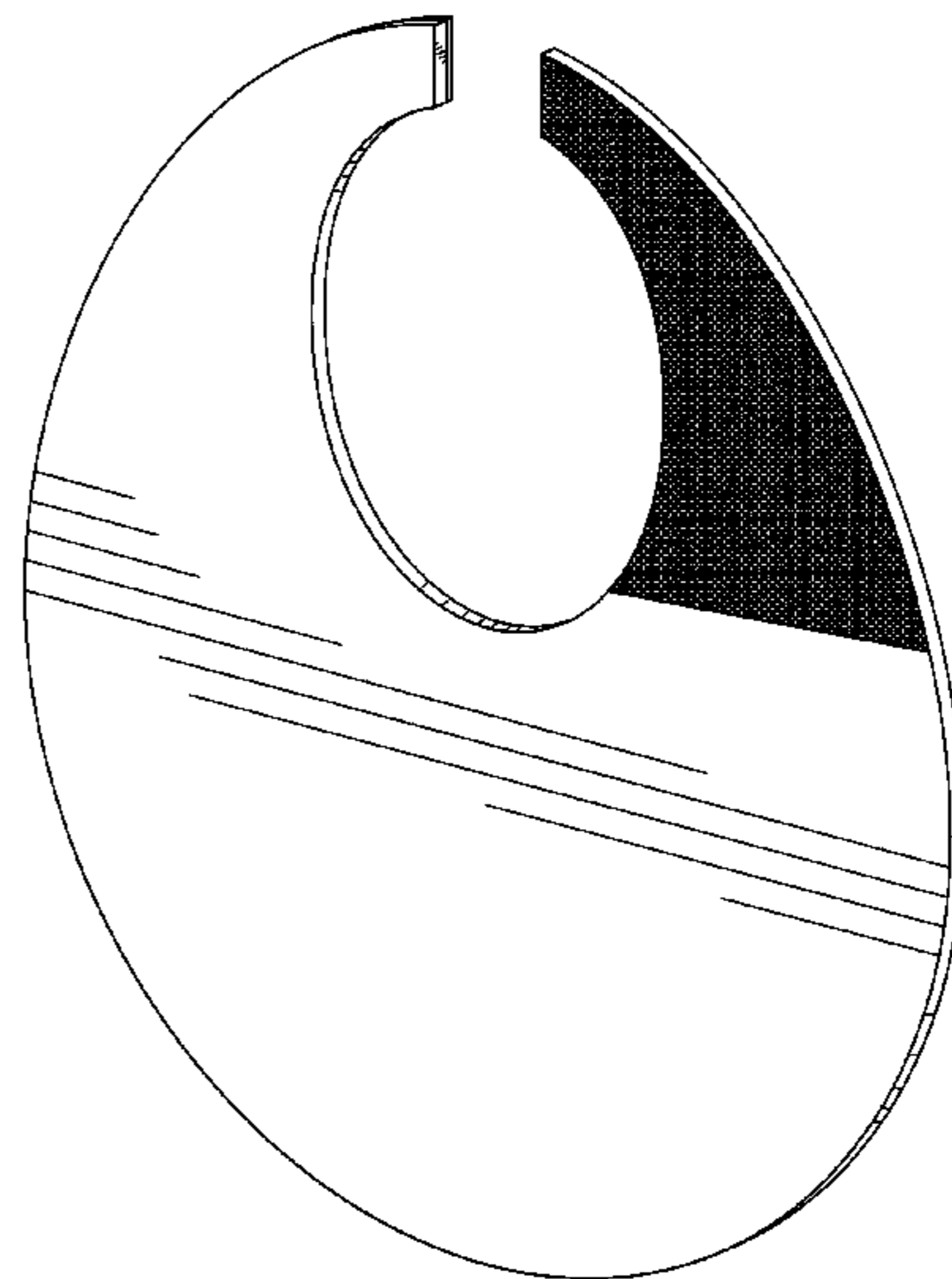
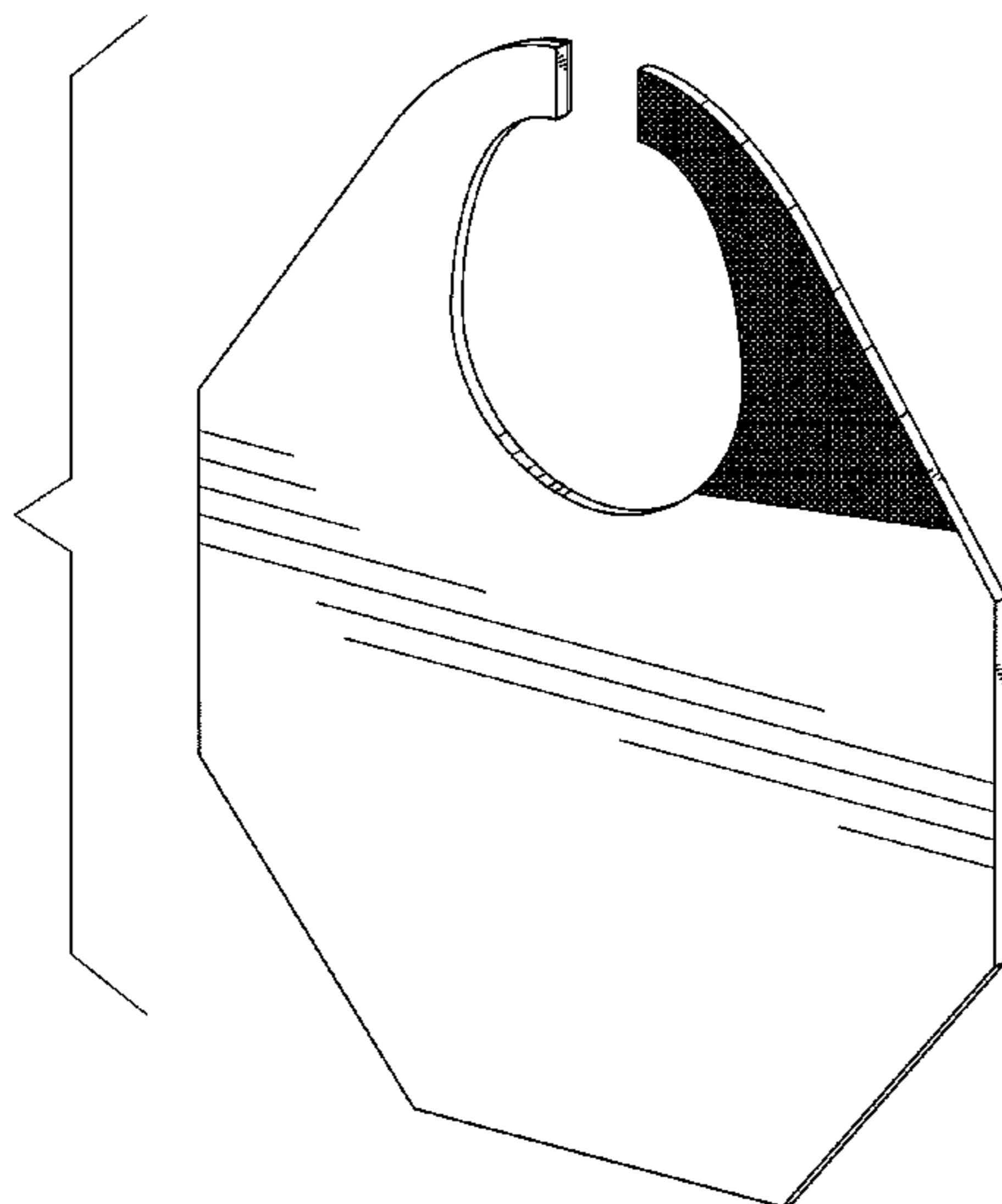
FIG. 12 is a right side view thereof;

FIG. 13 is a top view thereof; and,

FIG. 14 is a bottom view thereof.

The cross-hatch lines on the surface of the disposable bib in FIGS. 1-3 and FIGS. 8-10 represent hook and loop fasteners.

**1 Claim, 10 Drawing Sheets**



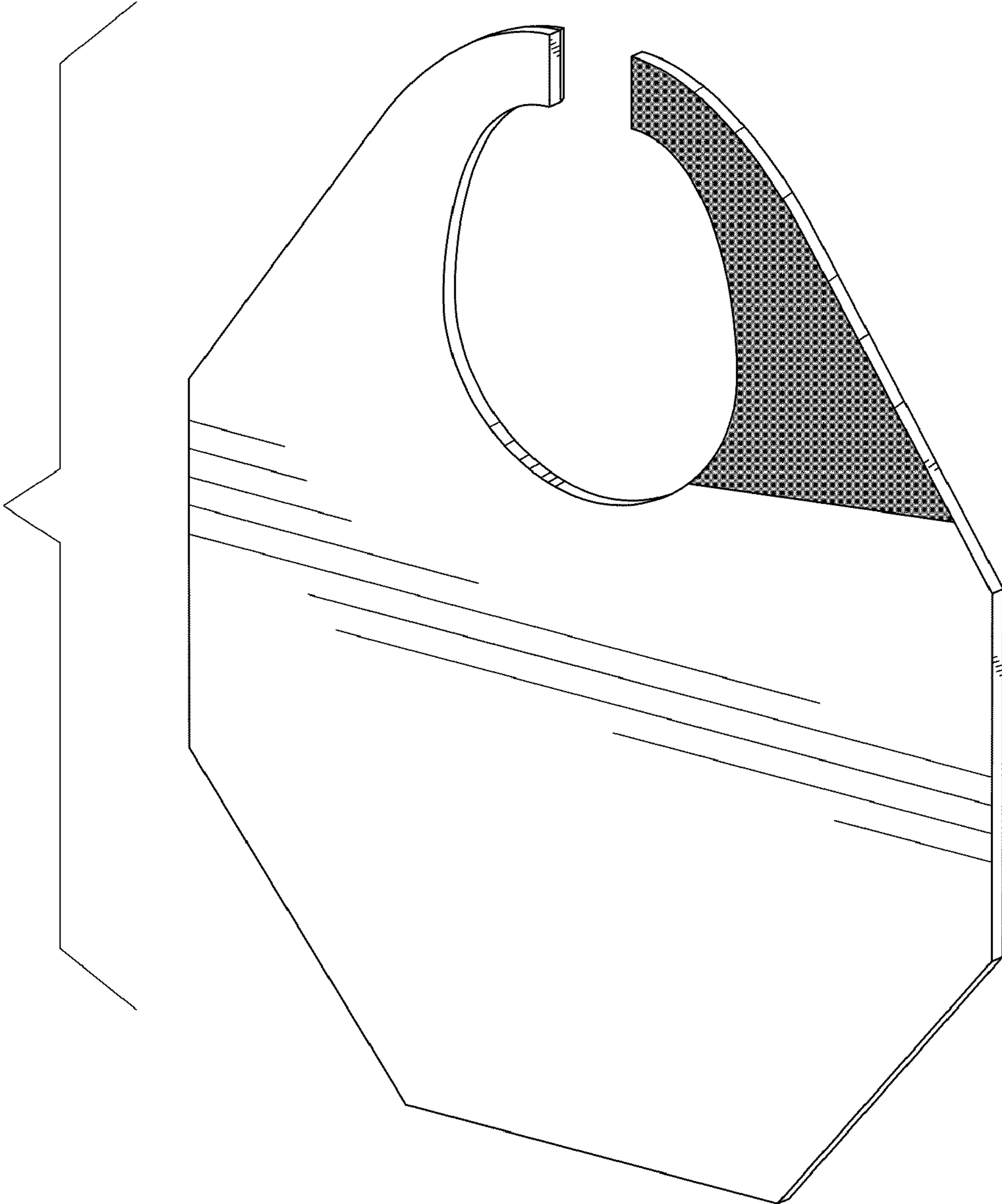


Fig. 1

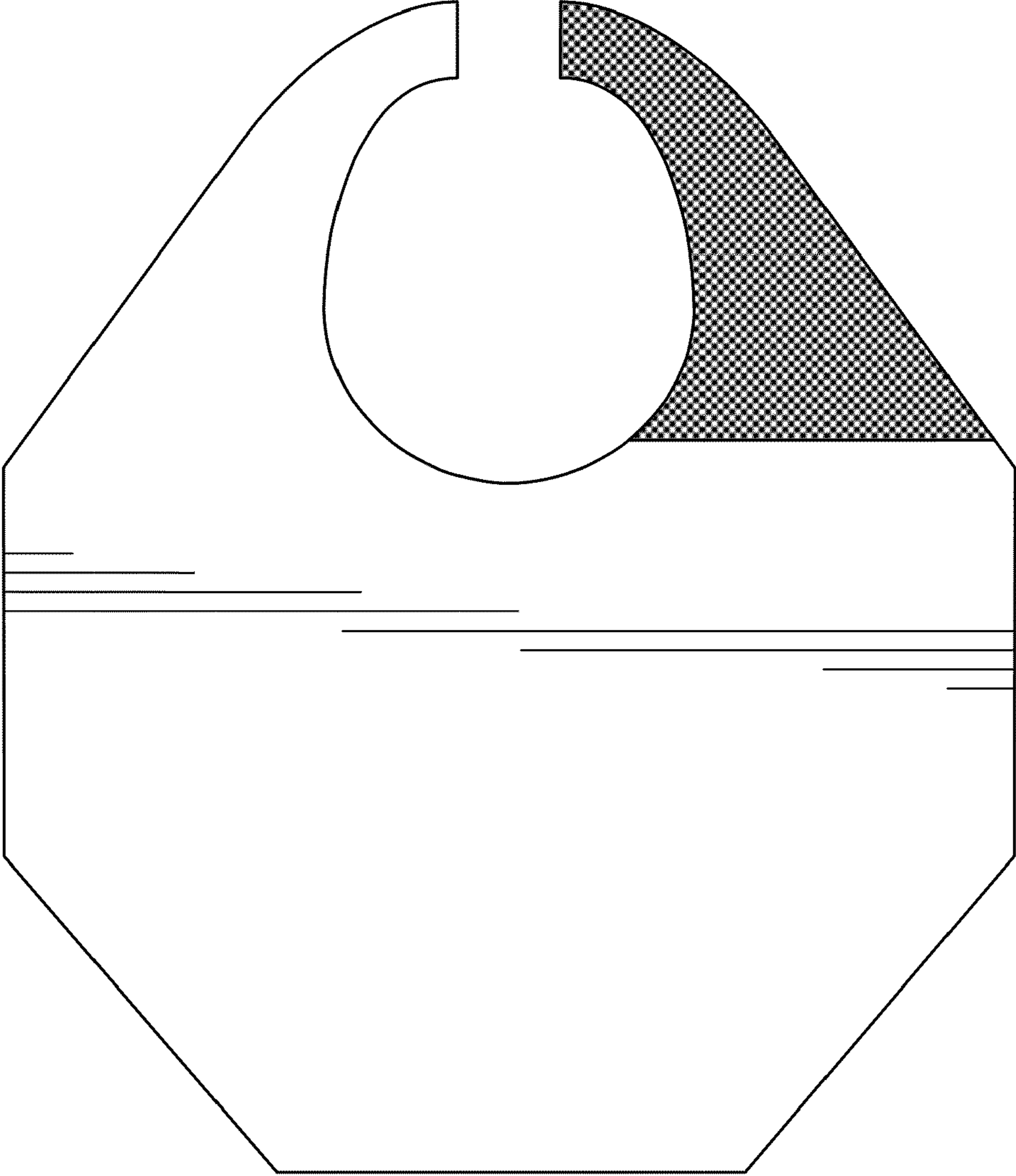


Fig. 2

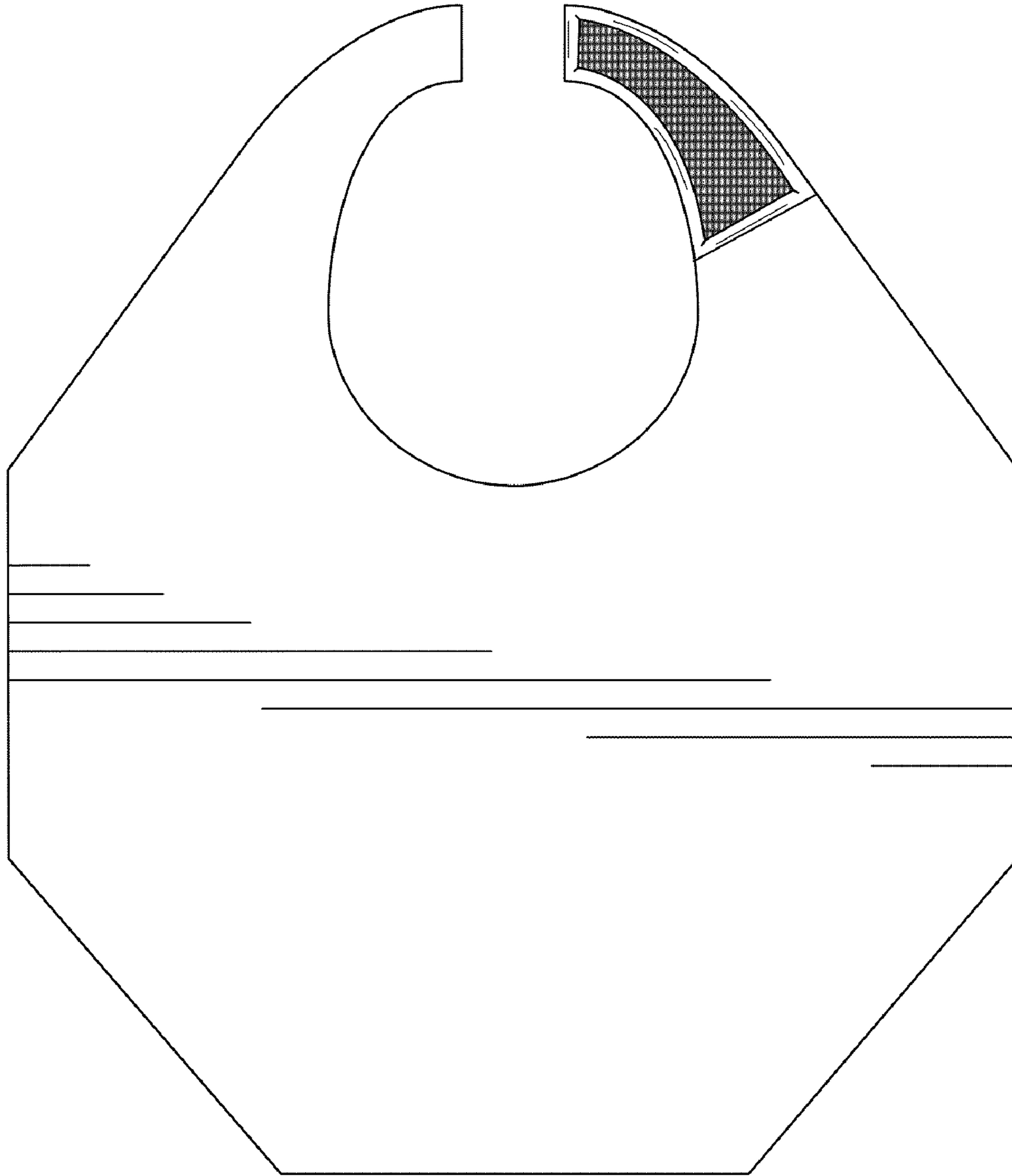


Fig. 3





Fig. 4



Fig. 5

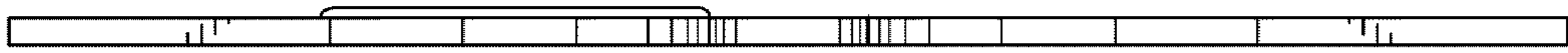


Fig. 6



Fig. 7

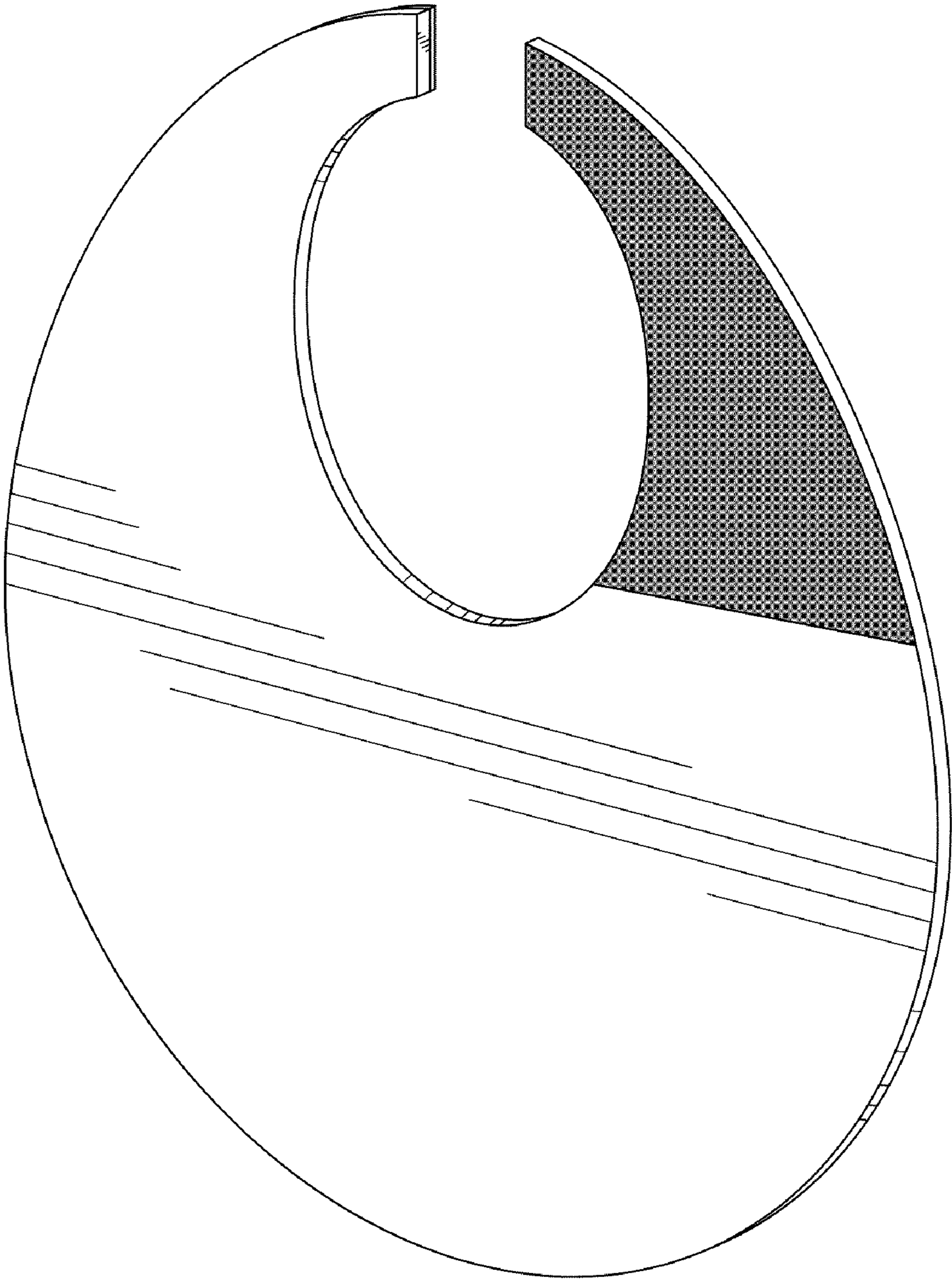


Fig. 8

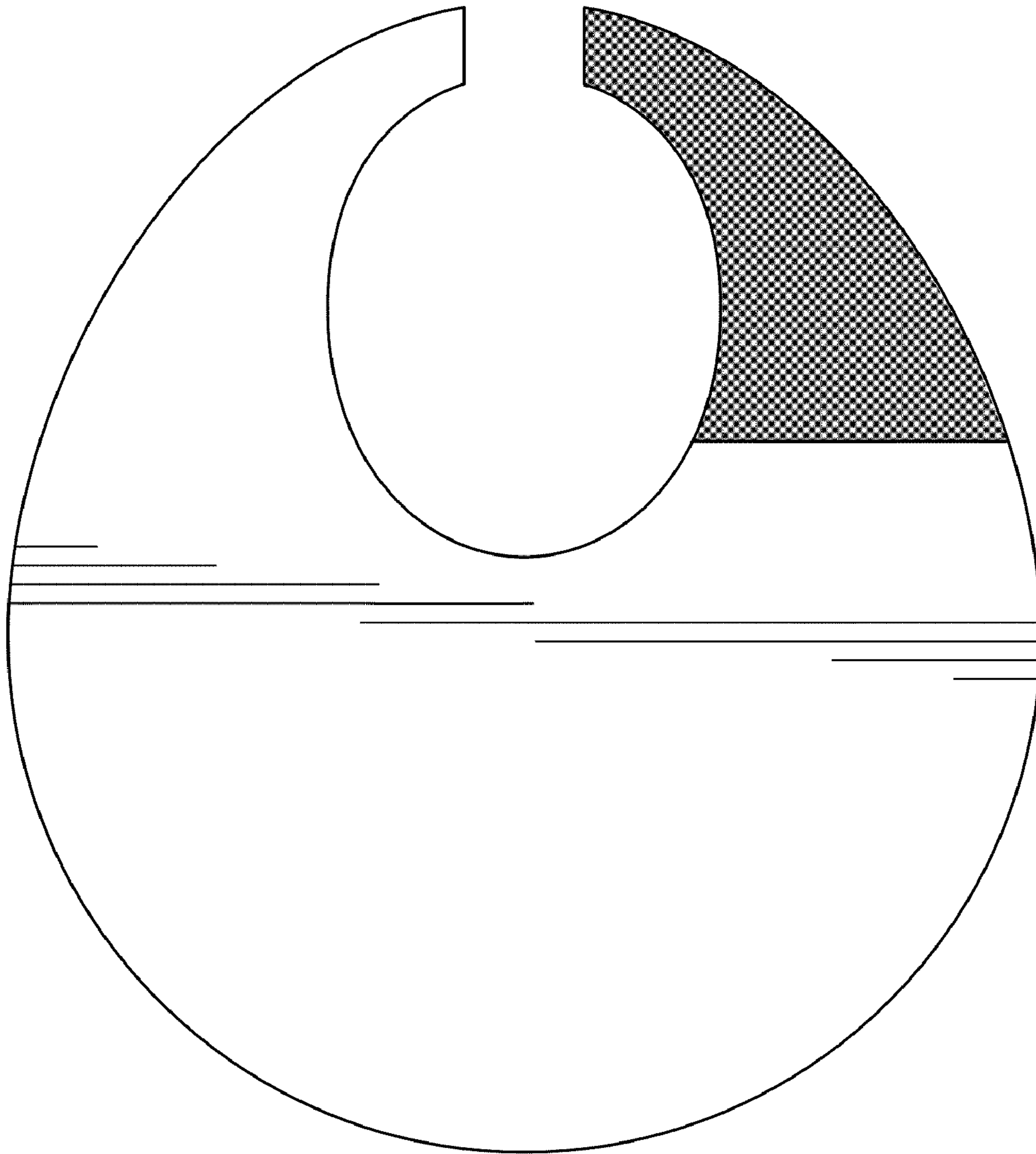


Fig. 9



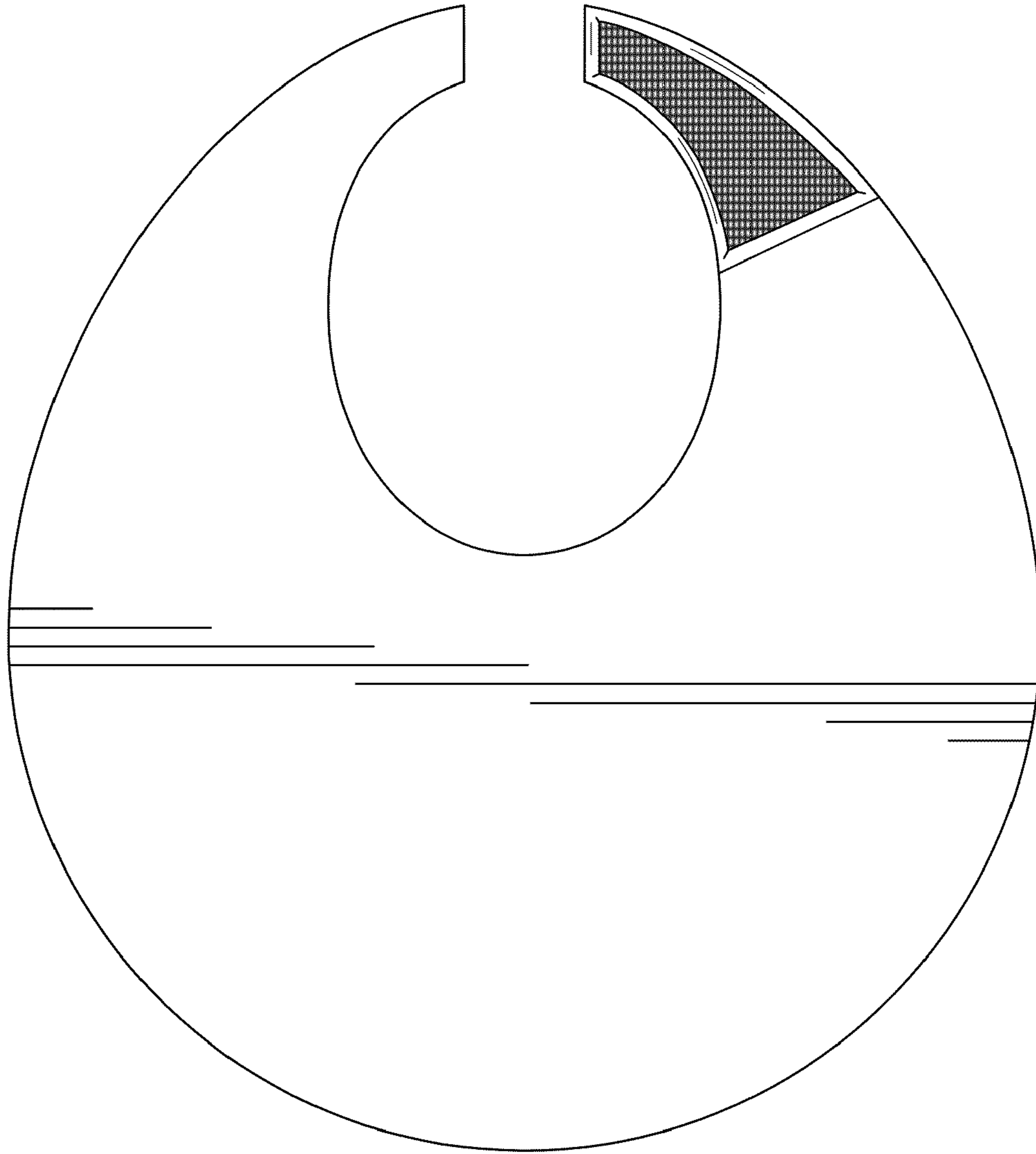


Fig. 10



Fig. 11



Fig. 12

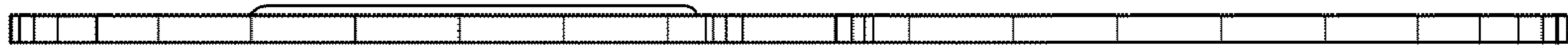


Fig. 13

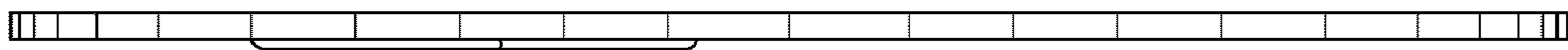


Fig. 14