



US00D648100S

(12) **United States Design Patent**  
**Rivetti**

(10) **Patent No.:** **US D648,100 S**

(45) **Date of Patent:** **\*\* Nov. 8, 2011**

(54) **TROUSER ACCESSORY**

(75) Inventor: **Carlo Rivetti**, Milan (IT)

(73) Assignee: **Sportswear Company S.p.A.**, Bologna (IT)

(\*\*) Term: **14 Years**

(21) Appl. No.: **29/347,389**

(22) Filed: **Dec. 22, 2009**

(30) **Foreign Application Priority Data**

Jul. 27, 2009 (EM) ..... 001155212

(51) **LOC (9) Cl.** ..... **02-02**

(52) **U.S. Cl.** ..... **D2/857**

(58) **Field of Classification Search** ..... D2/716,  
D2/717, 728, 731, 742, 840, 844, 853, 863-864,  
D2/857, 771, 786, 791, 812, 820; 2/48, 49.2,  
2/69, 79, 93-94, 115, 227-228, 247-254

See application file for complete search history.

(56) **References Cited**

**U.S. PATENT DOCUMENTS**

932,990	A *	8/1909	Madill et al.	2/227
2,486,584	A *	11/1949	Yagodnik	2/253
2,718,640	A *	9/1955	Suckle	2/247
3,026,532	A *	3/1962	Janz	D2/857
D243,291	S *	2/1977	Mechaly et al.	D2/857
D261,320	S *	10/1981	Heinfling	D2/857
D261,321	S *	10/1981	Heinfling	D2/857
D261,322	S *	10/1981	Heinfling	D2/857
D261,445	S *	10/1981	Heinfling	D2/857
D278,375	S *	4/1985	Heinfling	D2/857
D278,376	S *	4/1985	Heinfling	D2/857
D278,378	S *	4/1985	Heinfling	D2/857
D278,379	S *	4/1985	Heinfling	D2/857
D278,471	S *	4/1985	Heinfling	D2/857
D300,682	S *	4/1989	Ciavatta	D2/853

D527,866	S *	9/2006	Fixel	D2/742
D528,742	S *	9/2006	Langmantel	D2/857
D537,610	S *	3/2007	Escamillo	D2/857
7,454,856	B2 *	11/2008	Passman	2/247
D584,487	S *	1/2009	Maimon	D2/857
D618,444	S *	6/2010	Maimon	D2/857
2010/0175168	A1 *	7/2010	Yari	2/251

**FOREIGN PATENT DOCUMENTS**

EM	000626874-0002	*	9/2007
WO	DM/072850	*	12/2009

\* cited by examiner

*Primary Examiner* — Ian Simmons

*Assistant Examiner* — Wan Laymon

(74) *Attorney, Agent, or Firm* — Modiano & Associati;  
Albert Josif; Daniel J. O'Byrne

(57) **CLAIM**

I claim the ornamental design for a trouser accessory, as shown and described.

**DESCRIPTION**

FIG. 1 is a rear perspective view of a back pocket of a trouser accessory showing my new design;

FIG. 2 is a front view thereof;

FIG. 3 is a rear view thereof;

FIG. 4 is a side view thereof;

FIG. 5 is a top view thereof;

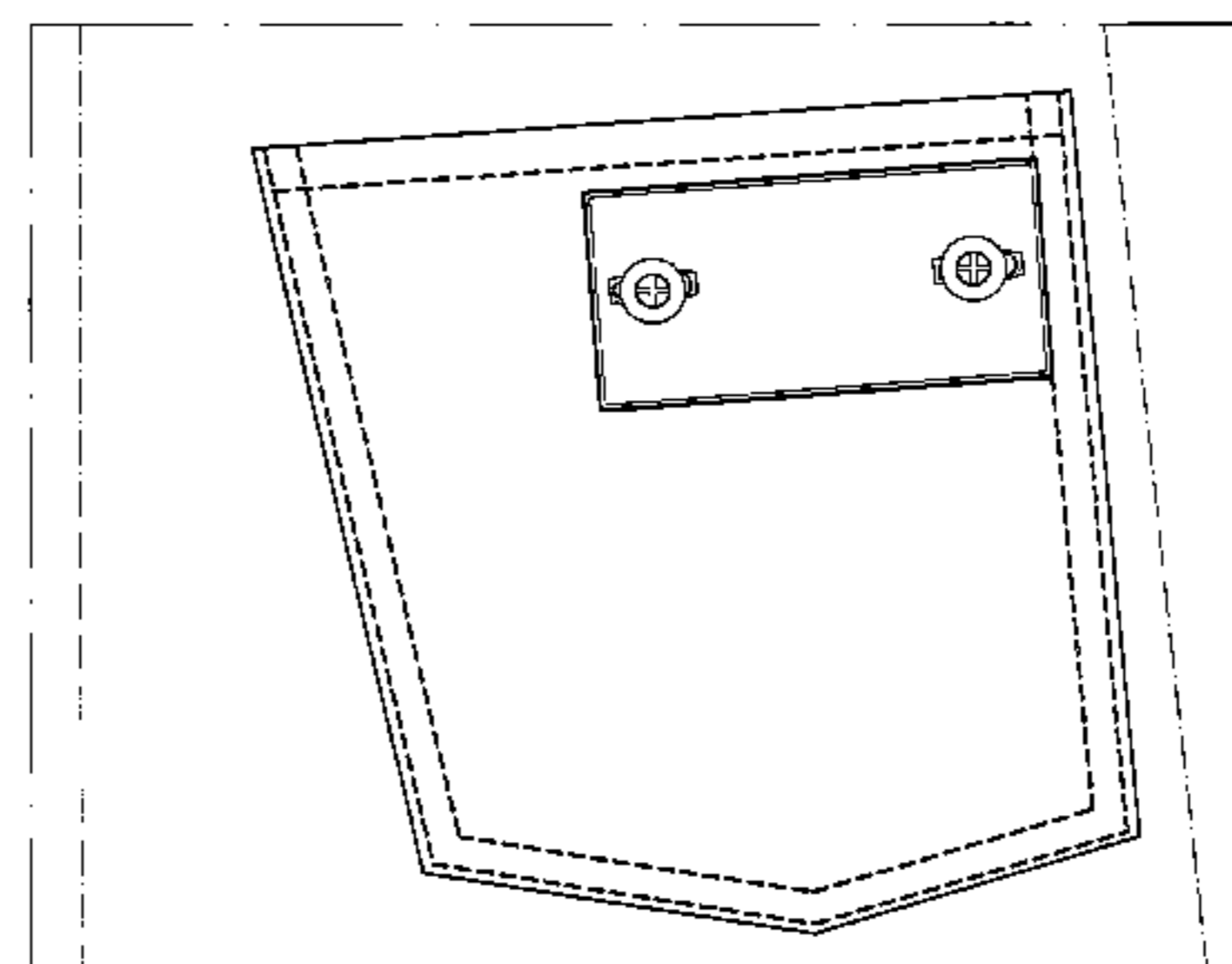
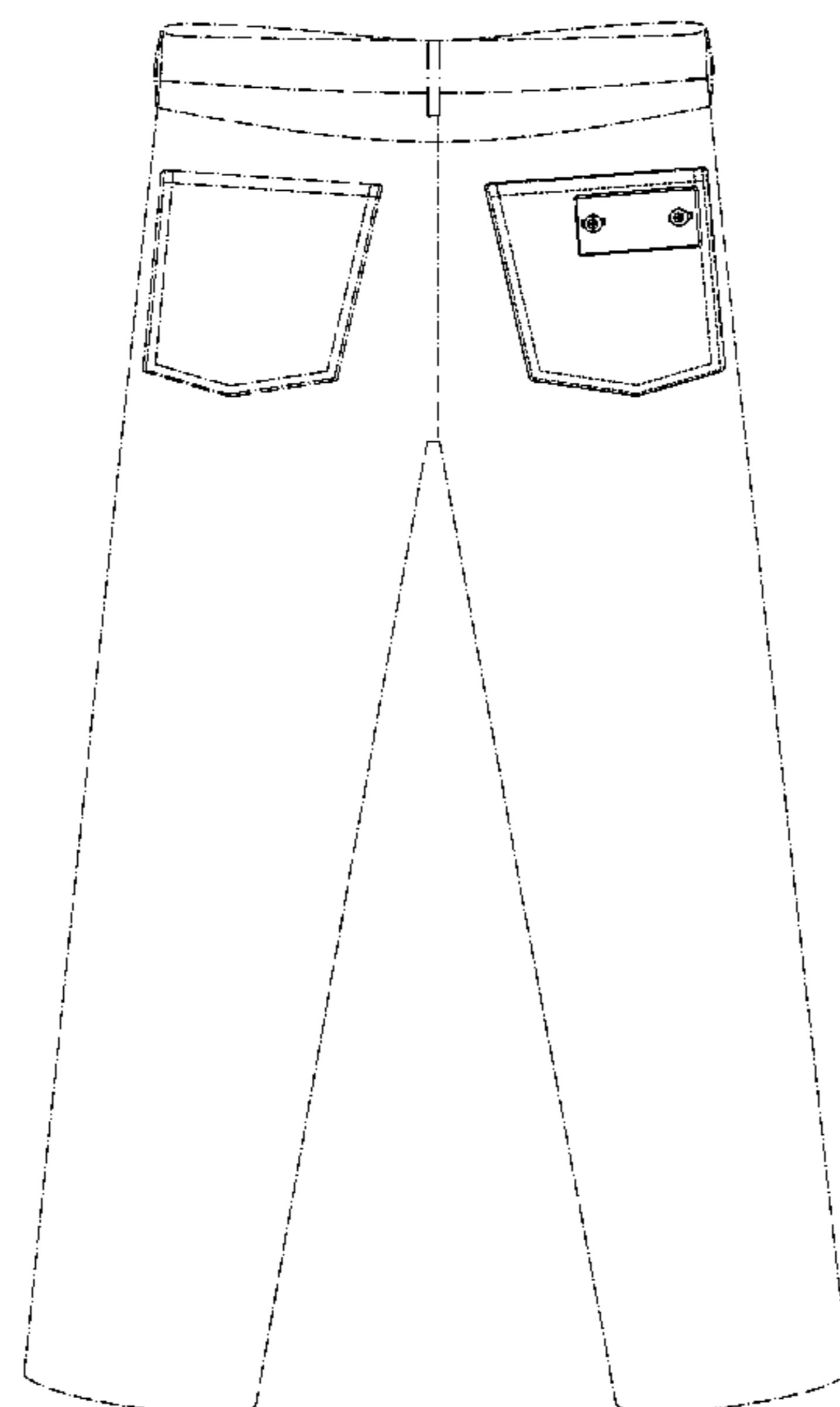
FIG. 6 is a bottom view thereof; and,

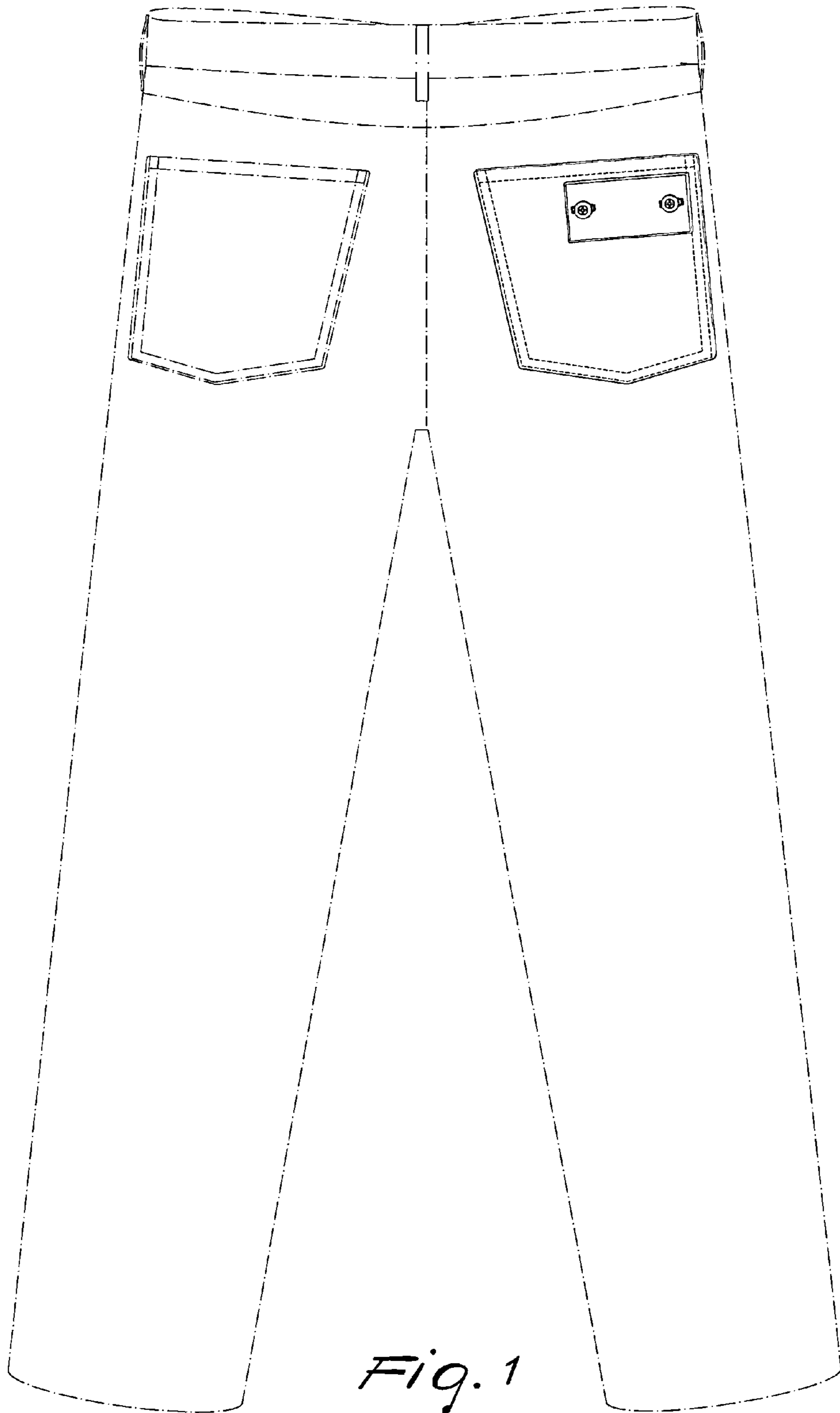
FIG. 7 is an enlarged view of the back pocket shown in FIG. 3.

The dash-dot lines in the drawings represent a trouser and are included for illustrating environmental structure for the back pocket trouser accessory and form no part of the claimed design.

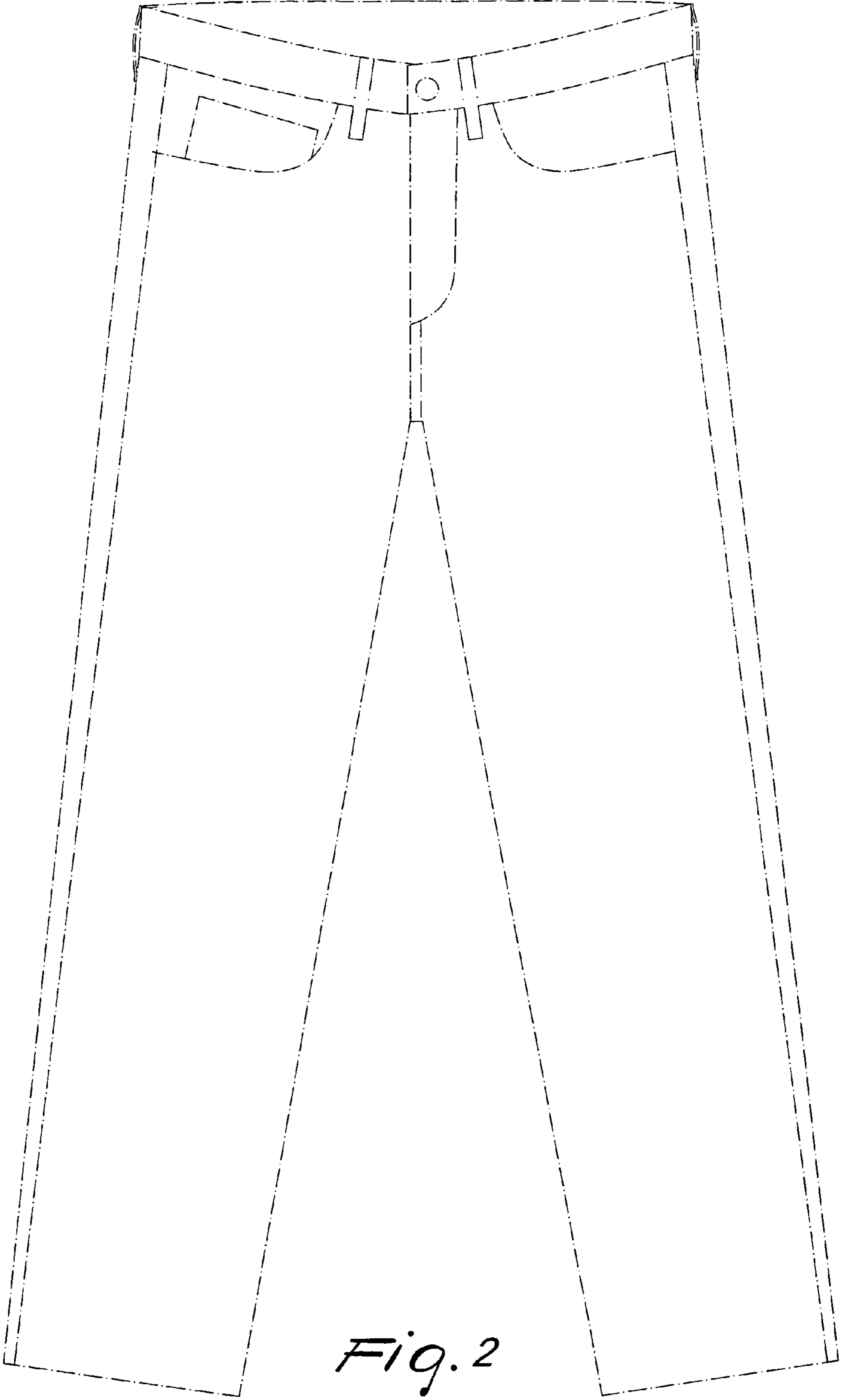
The even dashes shown on the back pocket of a trouser accessory represent stitches.

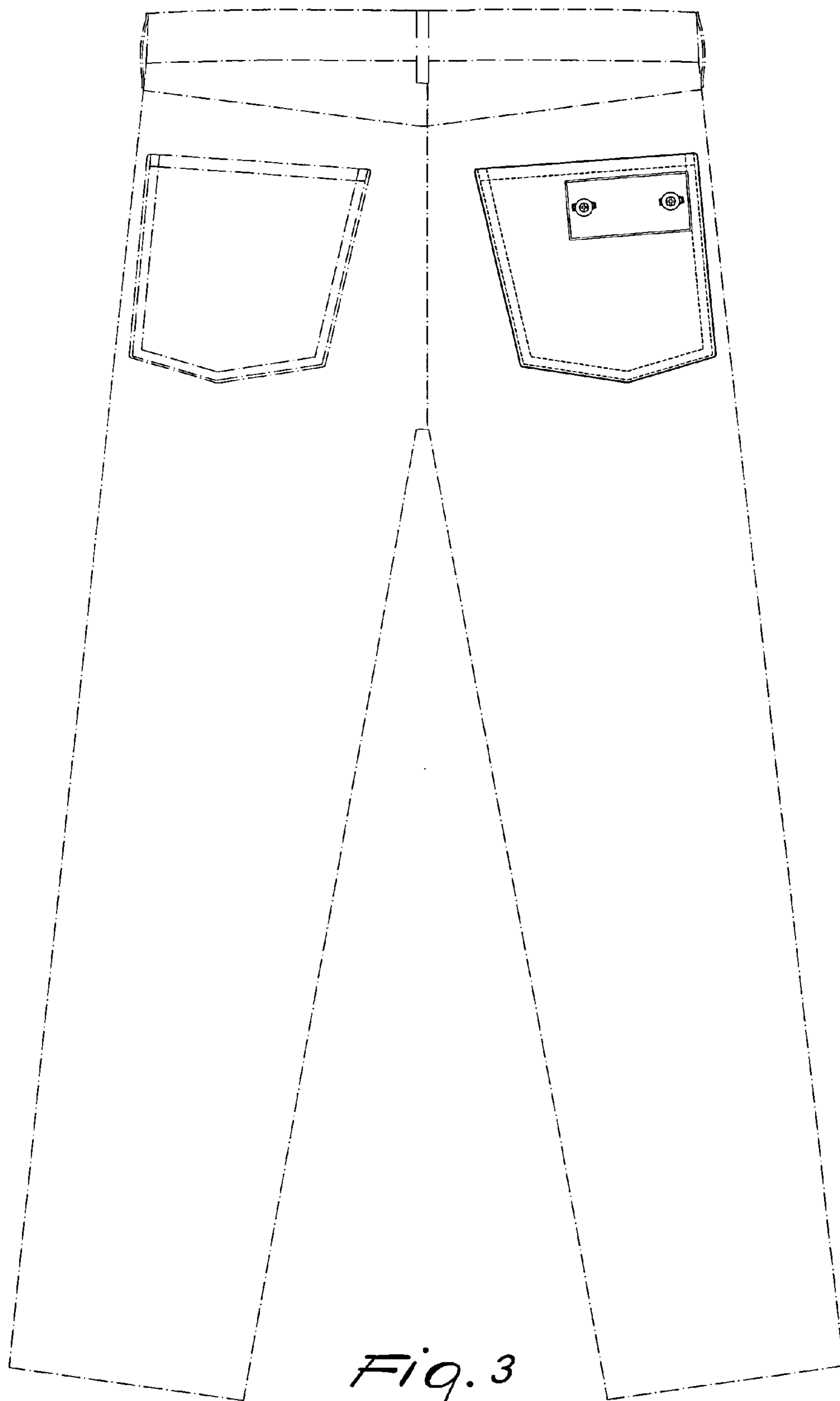
**1 Claim, 6 Drawing Sheets**



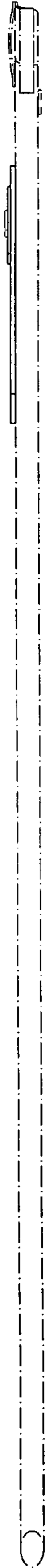


*Fig. 1*

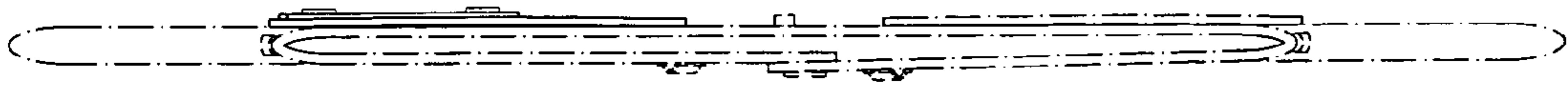




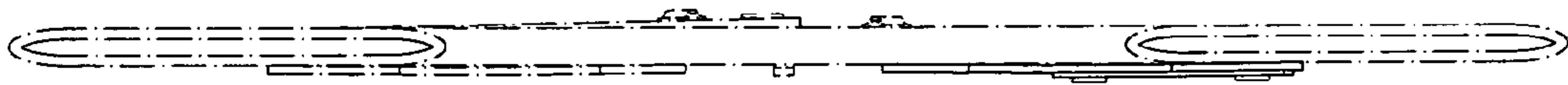
*Fig. 3*



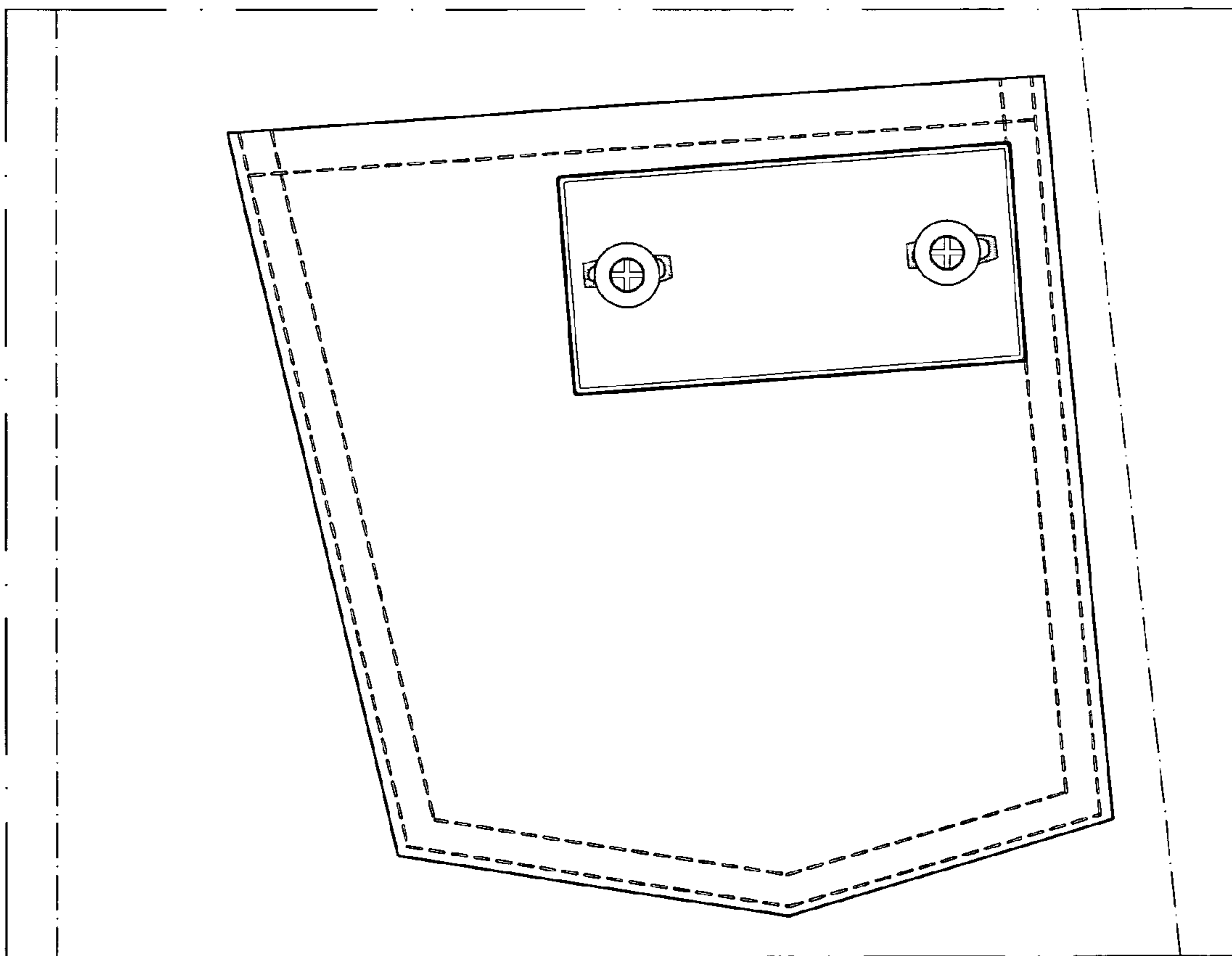
*Fig. 4*



*Fig. 5*



*Fig. 6*



*Fig. 7*