



US00D648094S

(12) **United States Design Patent**
Medina

(10) **Patent No.:** **US D648,094 S**

(45) **Date of Patent:** **** Nov. 1, 2011**

(54) **PALLET DIVIDER**

(76) Inventor: **David I. Medina**, Monterrey (MX)

(**) Term: **14 Years**

(21) Appl. No.: **29/364,780**

(22) Filed: **Jun. 28, 2010**

(51) **LOC (9) Cl.** **09-08**

(52) **U.S. Cl.** **D34/38**

(58) **Field of Classification Search** D34/38;
108/53.1, 56.3, 57.26, 51.11, 57.14, 57.19,
108/57.2

See application file for complete search history.

(56) **References Cited**

U.S. PATENT DOCUMENTS

3,472,182	A *	10/1969	Eklund	108/57.17
3,699,900	A *	10/1972	Carlson	108/53.1
3,724,398	A *	4/1973	Brennan	108/56.3
D458,433	S *	6/2002	Dee	D34/38
D463,894	S *	10/2002	Ghafourian et al.	D34/38
D520,709	S *	5/2006	Giampavolo et al.	D34/38

D602,675	S *	10/2009	Osterman	D34/38
D620,673	S *	7/2010	Giampavolo et al.	D34/38
2003/0172851	A1 *	9/2003	Chen	108/51.3
2008/0173781	A1 *	7/2008	Muyskens	248/346.01

* cited by examiner

Primary Examiner — Cynthia Ramirez

(74) *Attorney, Agent, or Firm* — Sinorica, LLC

(57) **CLAIM**

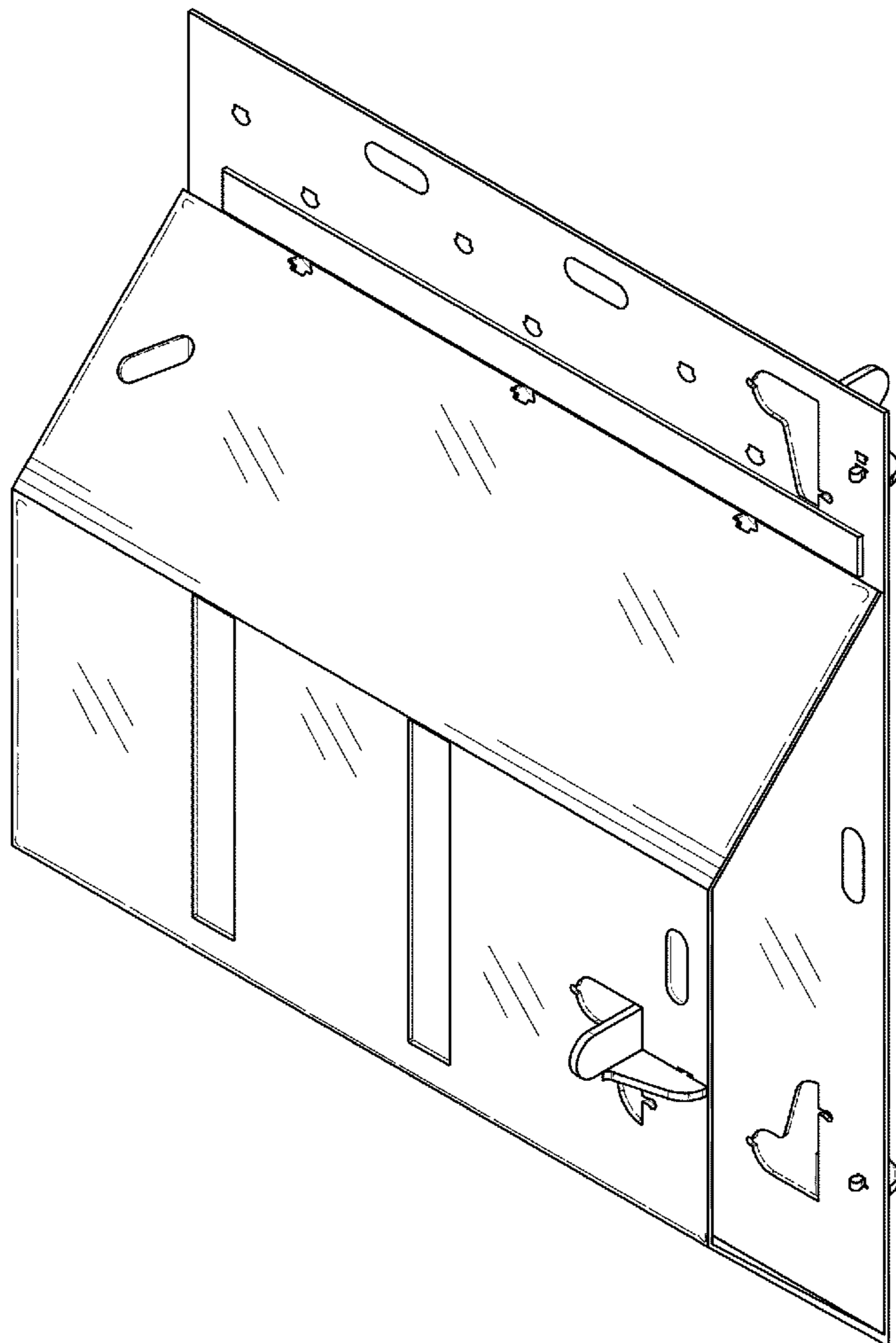
The ornamental design of a pallet divider, as shown and described.

DESCRIPTION

FIG. 1 is a perspective view of a pallet divider;
FIG. 2 is a front elevational view thereof;
FIG. 3 is a rear elevational view thereof;
FIG. 4 is a left-side elevational view thereof;
FIG. 5 is a right-side elevational view thereof;
FIG. 6 is a bottom plan view thereof; and,
FIG. 7 is a top plan view thereof.

The claimed pallet divider has notches and three flaps for handling purposes.

1 Claim, 5 Drawing Sheets



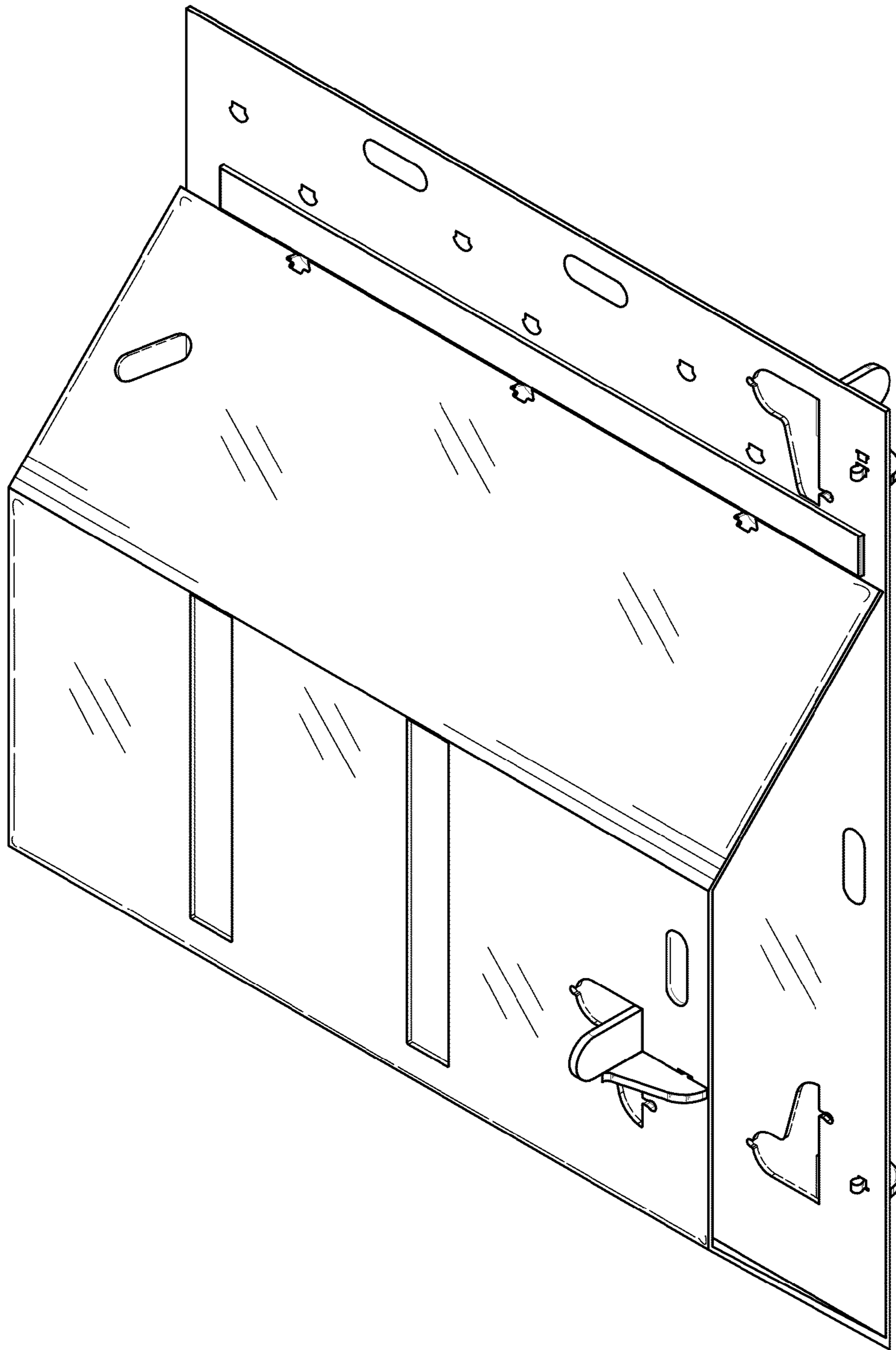


FIG. 1

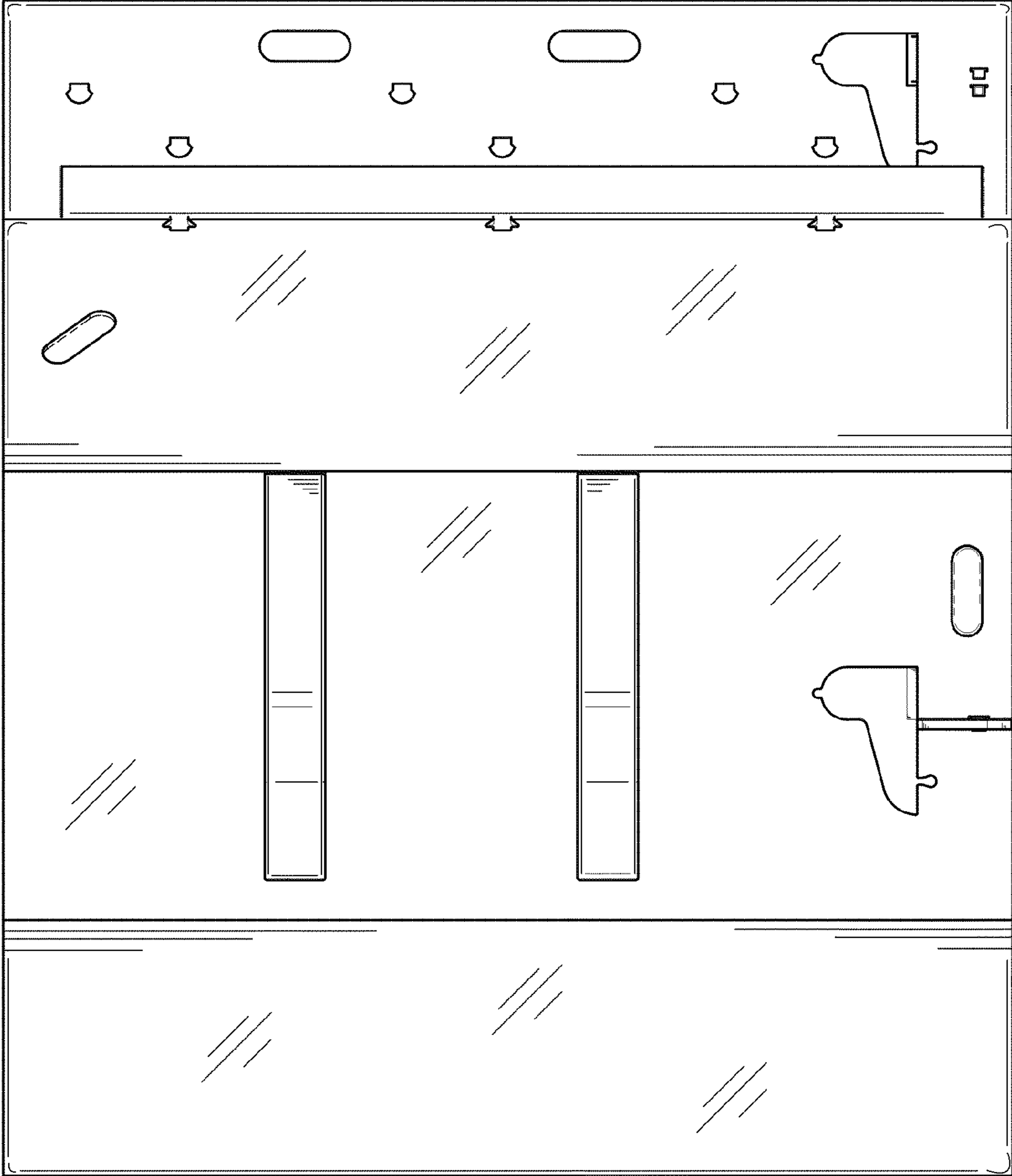


FIG. 2

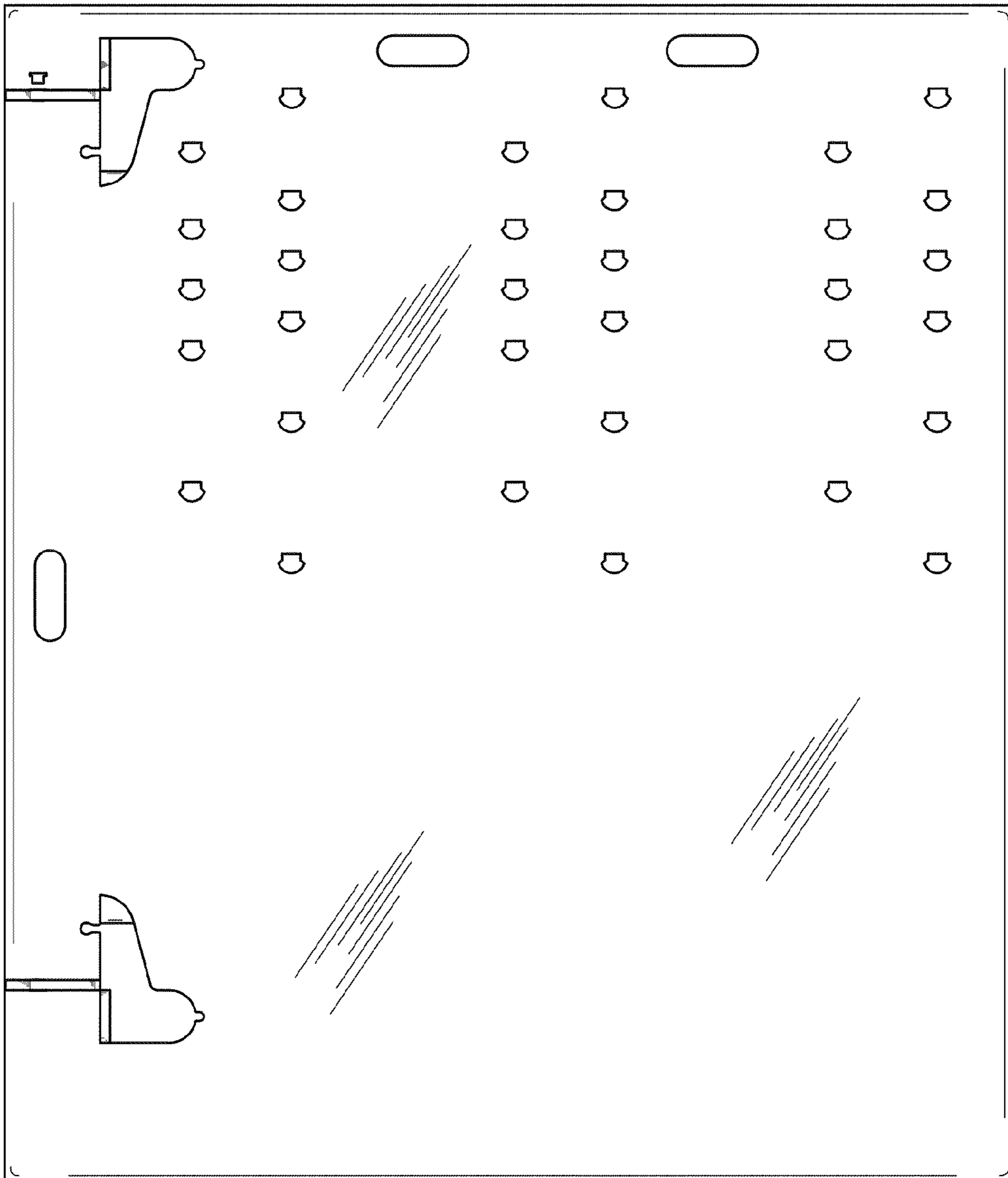


FIG. 3

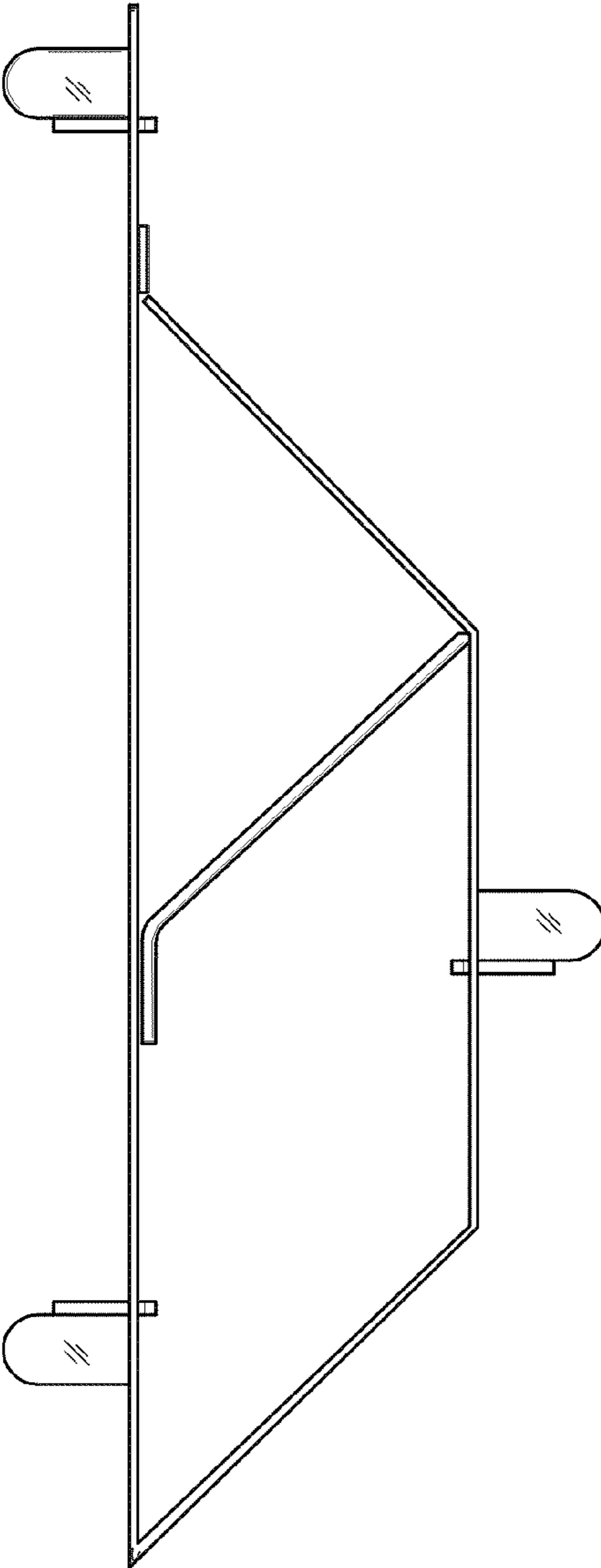


FIG. 4

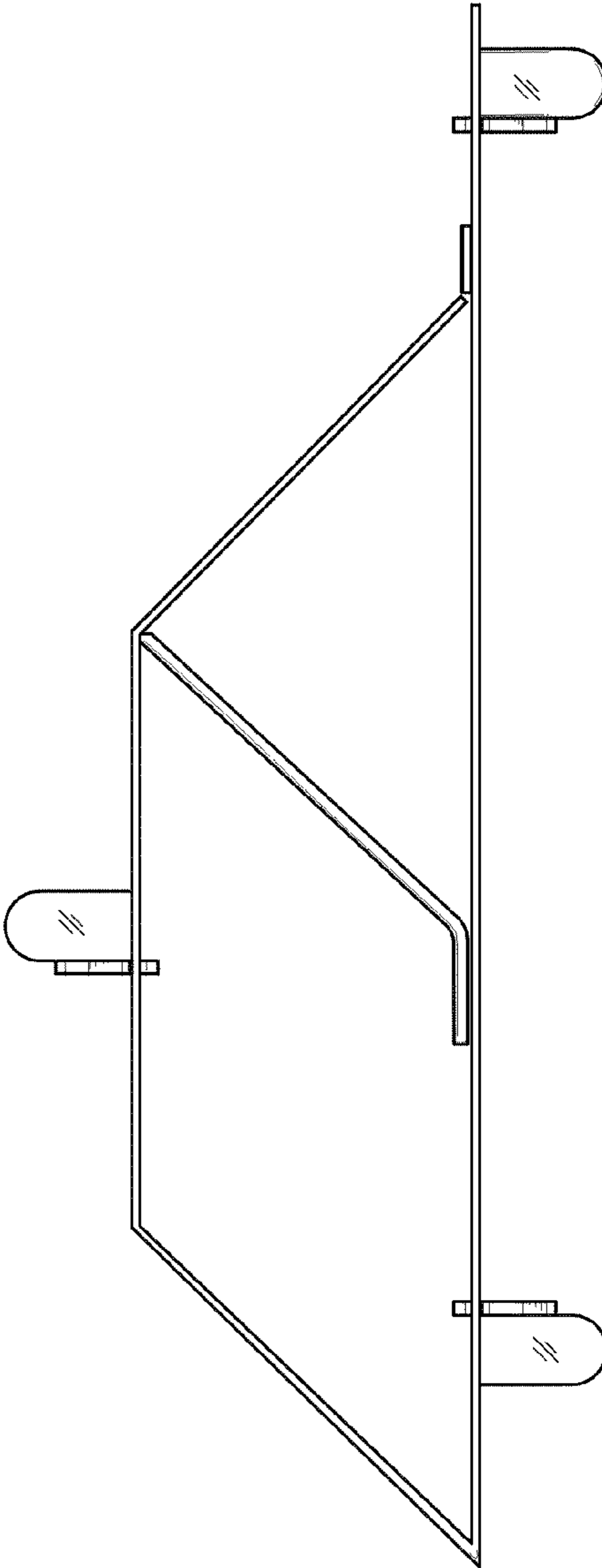


FIG. 5

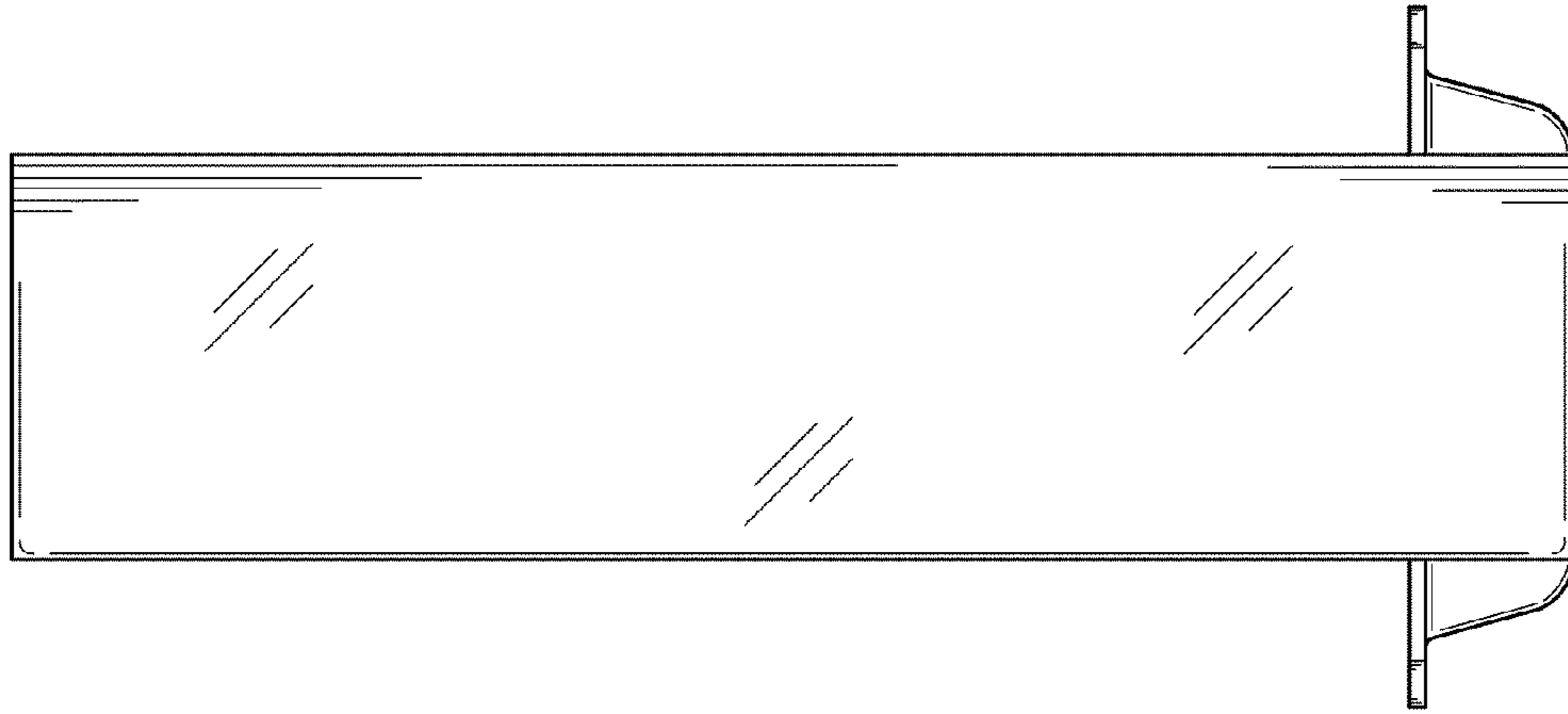


FIG. 6

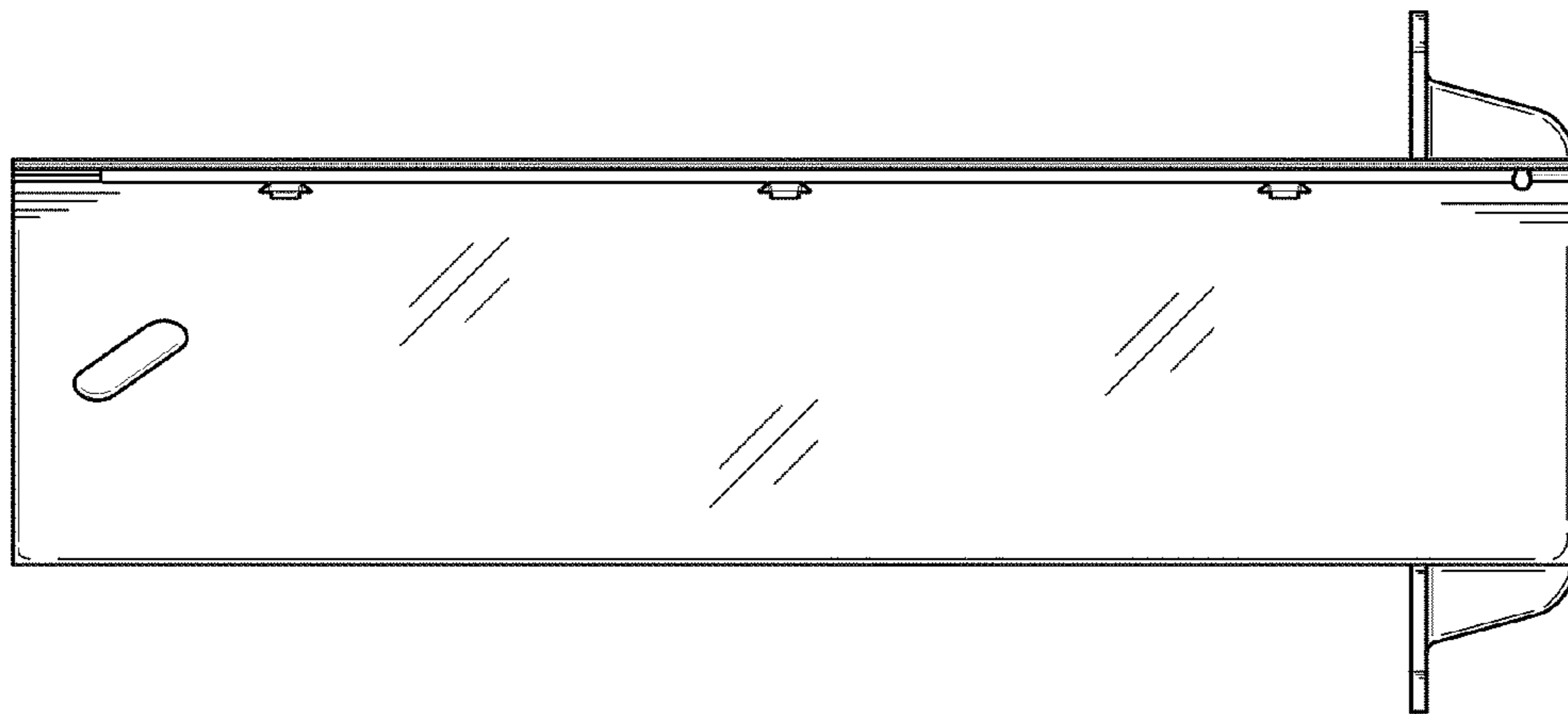


FIG. 7