



US00D648091S

(12) **United States Design Patent**
Southwick

(10) **Patent No.:** **US D648,091 S**

(45) **Date of Patent:** **** Nov. 1, 2011**

(54) **HEATER VENT BOOT AND GLOVE DRYING RACK**

(76) Inventor: **Byron J. Southwick**, Tremonton, UT (US)

(**) Term: **14 Years**

(21) Appl. No.: **29/392,821**

(22) Filed: **May 26, 2011**

(51) **LOC (9) Cl.** **07-05**

(52) **U.S. Cl.** **D32/58**

(58) **Field of Classification Search** D32/8, D32/58, 59; D24/109; D7/708; 34/90, 600, 34/523, 441, 381, 240, 106, 105, 104, 103; D2/979

See application file for complete search history.

(56) **References Cited**

U.S. PATENT DOCUMENTS

3,608,738	A	9/1971	Andersen	
4,136,464	A	1/1979	Hay	
4,596,078	A	6/1986	McCartney	
D310,742	S *	9/1990	Johnson	D32/58
5,287,636	A *	2/1994	Lafleur et al.	34/104
D347,094	S *	5/1994	Christensen, Jr.	D32/58
D349,788	S *	8/1994	Laferriere et al.	D32/1
5,469,635	A *	11/1995	Lamontagne et al.	34/104
D372,346	S *	7/1996	Marks	D32/8
D373,867	S *	9/1996	Rask	D32/58
5,692,316	A	12/1997	Antal	
D412,231	S *	7/1999	Williams et al.	D32/58
5,946,814	A	9/1999	Farrant	

6,216,359	B1 *	4/2001	Peet	34/105
6,327,792	B1 *	12/2001	Hebert	34/104
D539,563	S *	4/2007	Grosfillex	D6/465
D541,493	S *	4/2007	Peet	D32/8
D563,619	S *	3/2008	Palese et al.	D32/58
D604,916	S	11/2009	Mansour et al.	

OTHER PUBLICATIONS

WWW.HOMETRENDS.CATALOG.COM; Mitten & Boot Drying Rack; Internet; as of May 26, 2011.

* cited by examiner

Primary Examiner — Austin Murphy

(57) **CLAIM**

The ornamental design for a heater vent boot and glove drying rack, as shown and described.

DESCRIPTION

FIG. 1 is a front view of a heater vent boot and glove drying rack showing my new design;

FIG. 2 is a back view thereof;

FIG. 3 is a side view (opposite side view is mirror image) thereof;

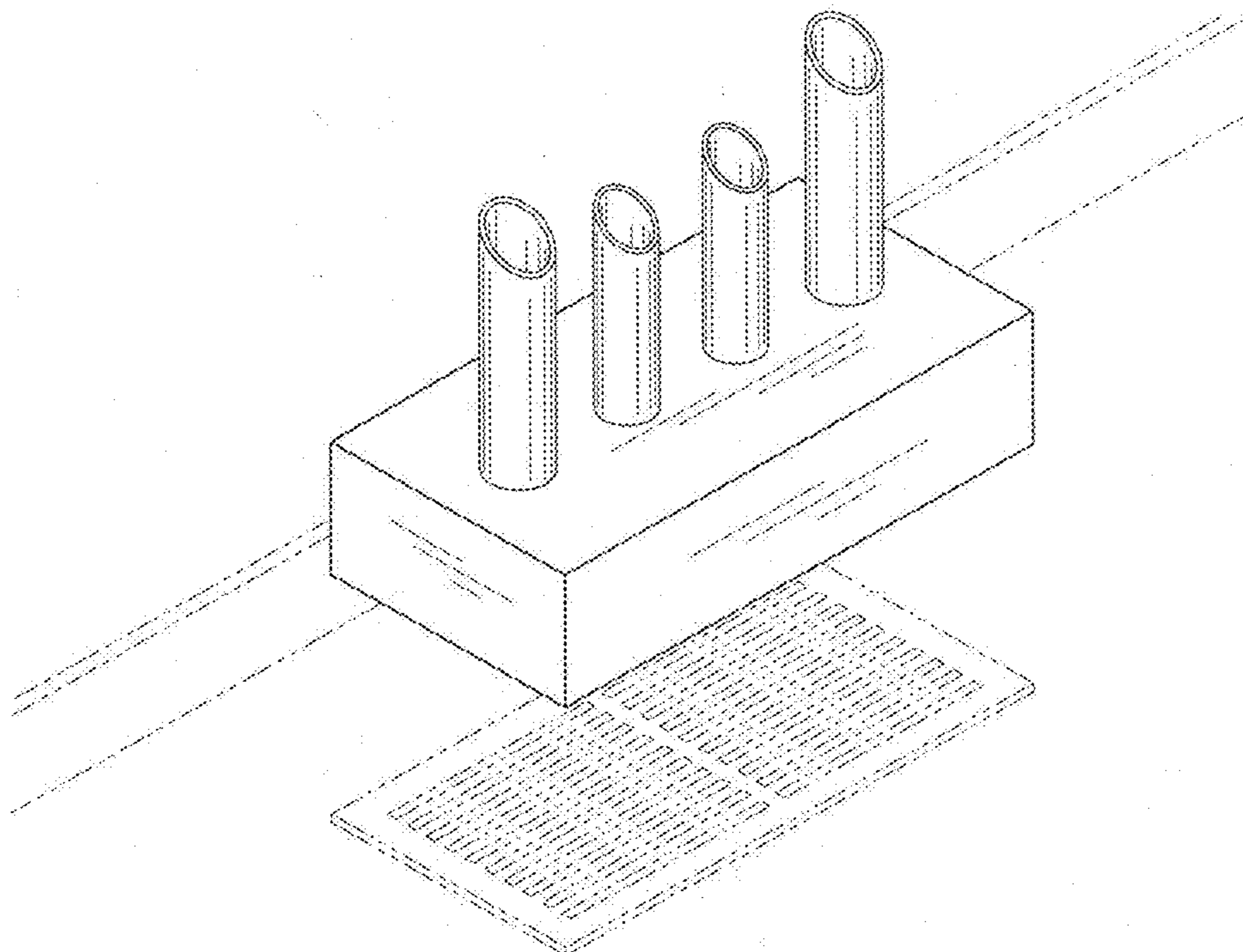
FIG. 4 is a top view thereof;

FIG. 5 is a bottom view thereof; and,

FIG. 6 is a perspective view of a heater vent boot and glove drying rack thereof.

In FIG. 6, the broken lines showing of environmental structure for purposes of illustrating the heater vent boot and glove drying rack in a condition of use. The broken lines and the structure they depict form no part of the claimed design.

1 Claim, 4 Drawing Sheets



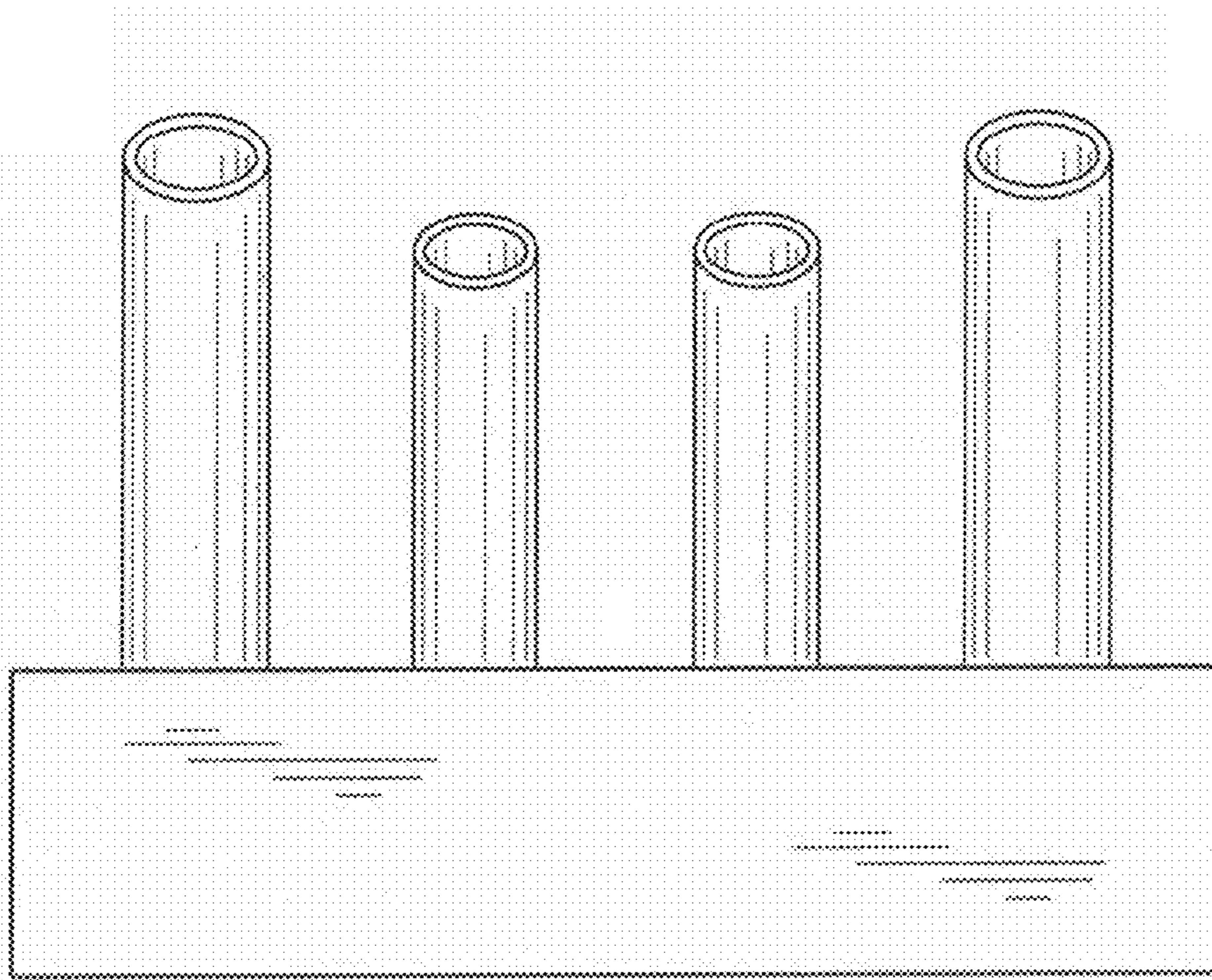


FIG. 1

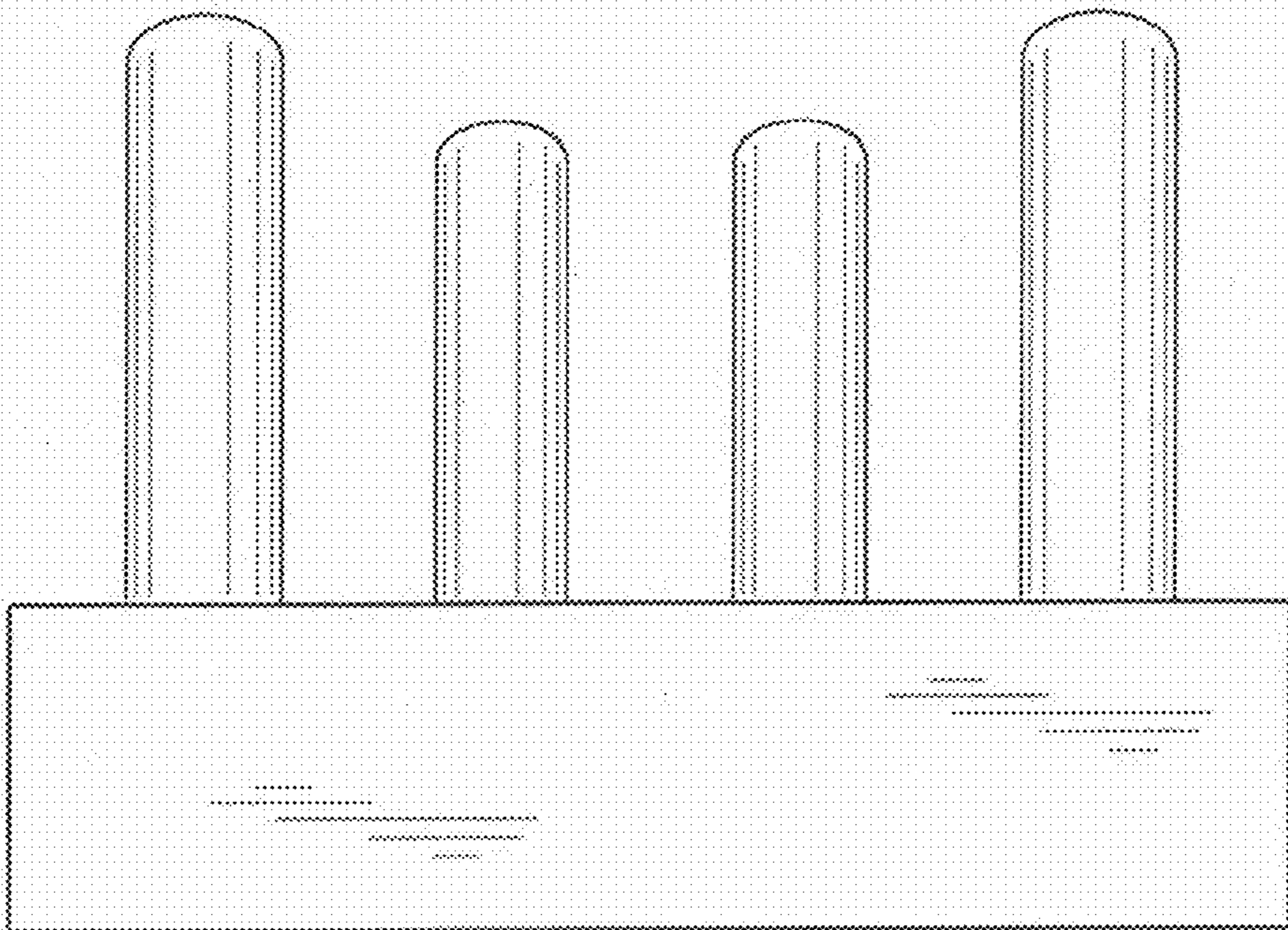


FIG. 2

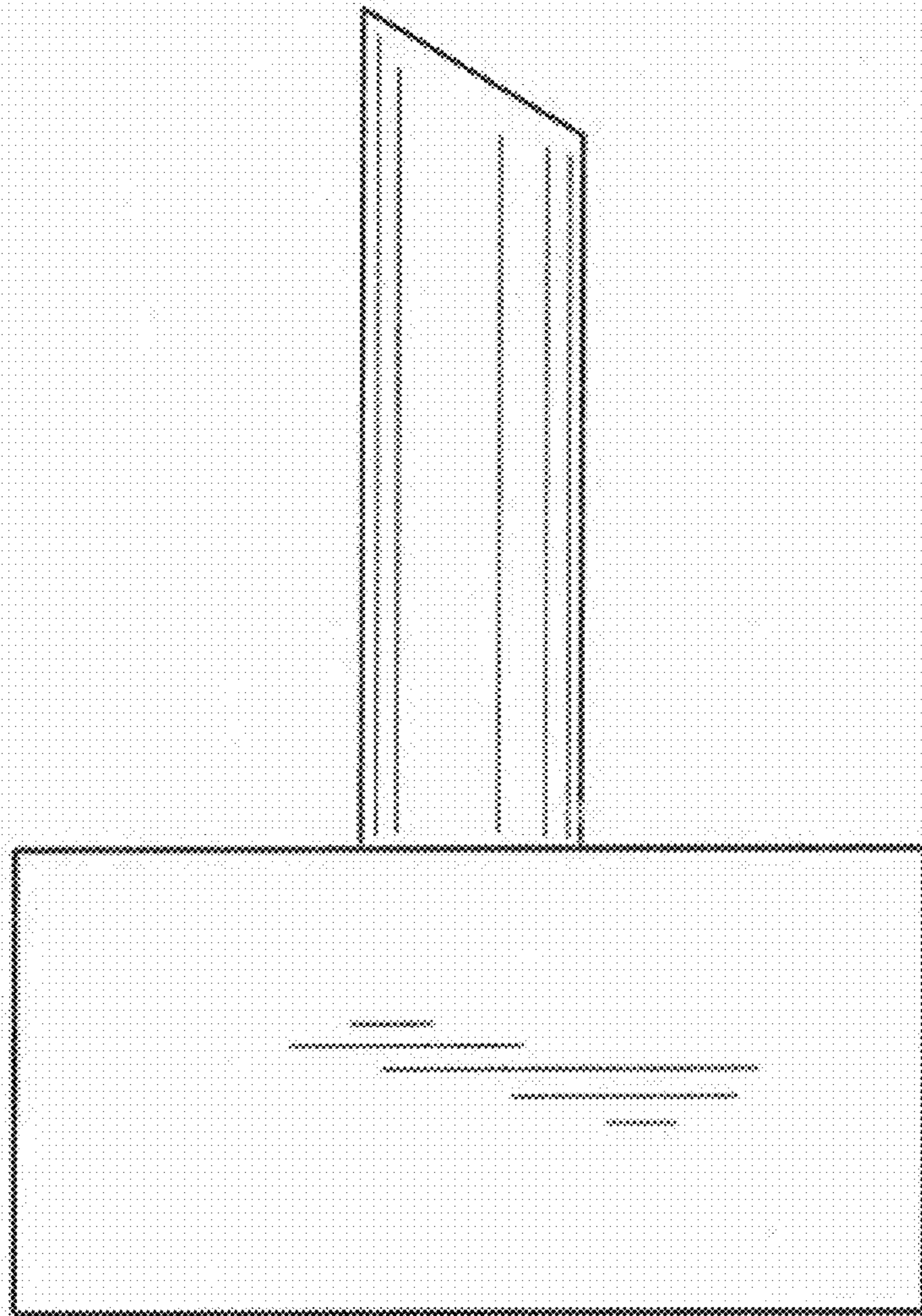


FIG. 3

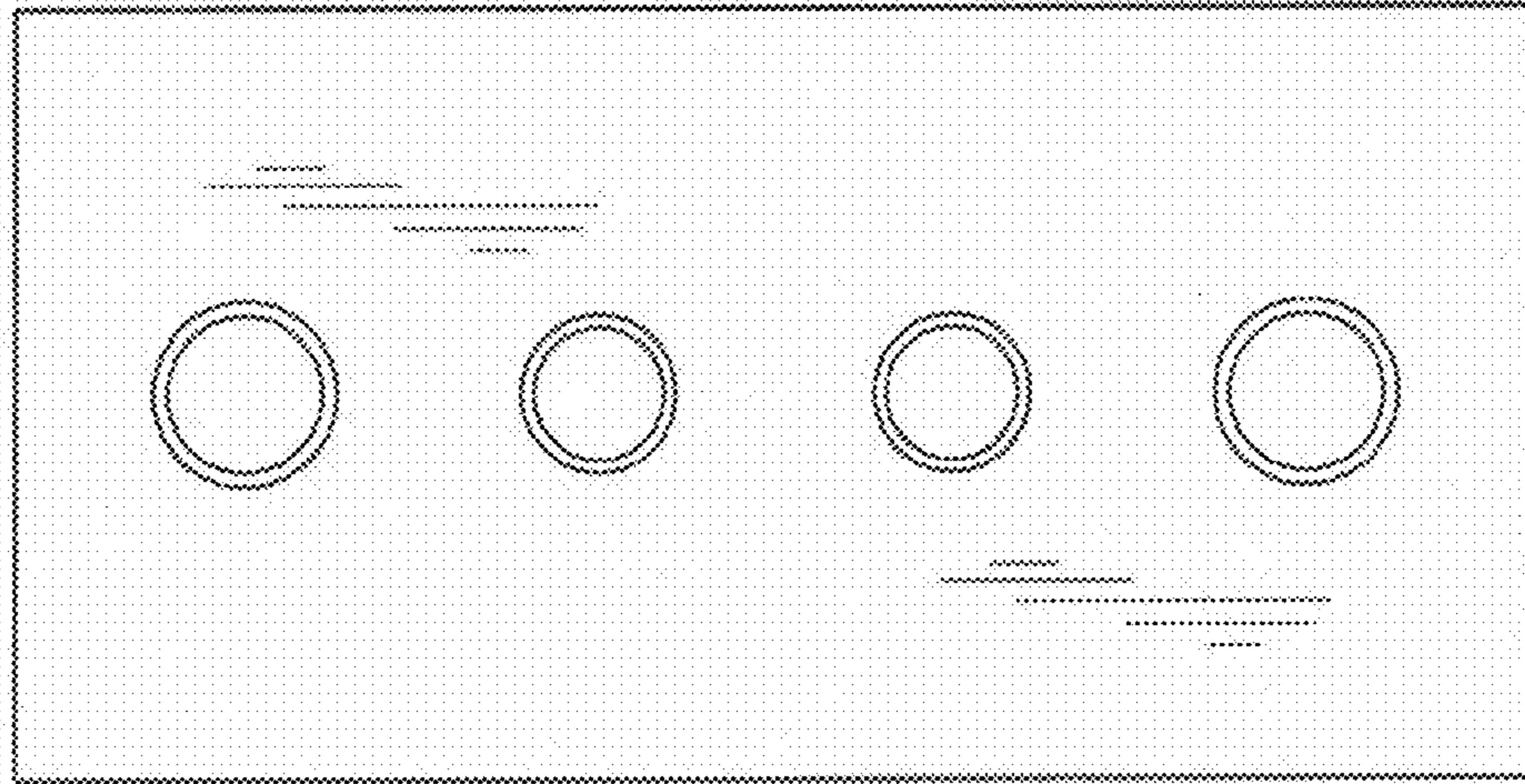


FIG. 4

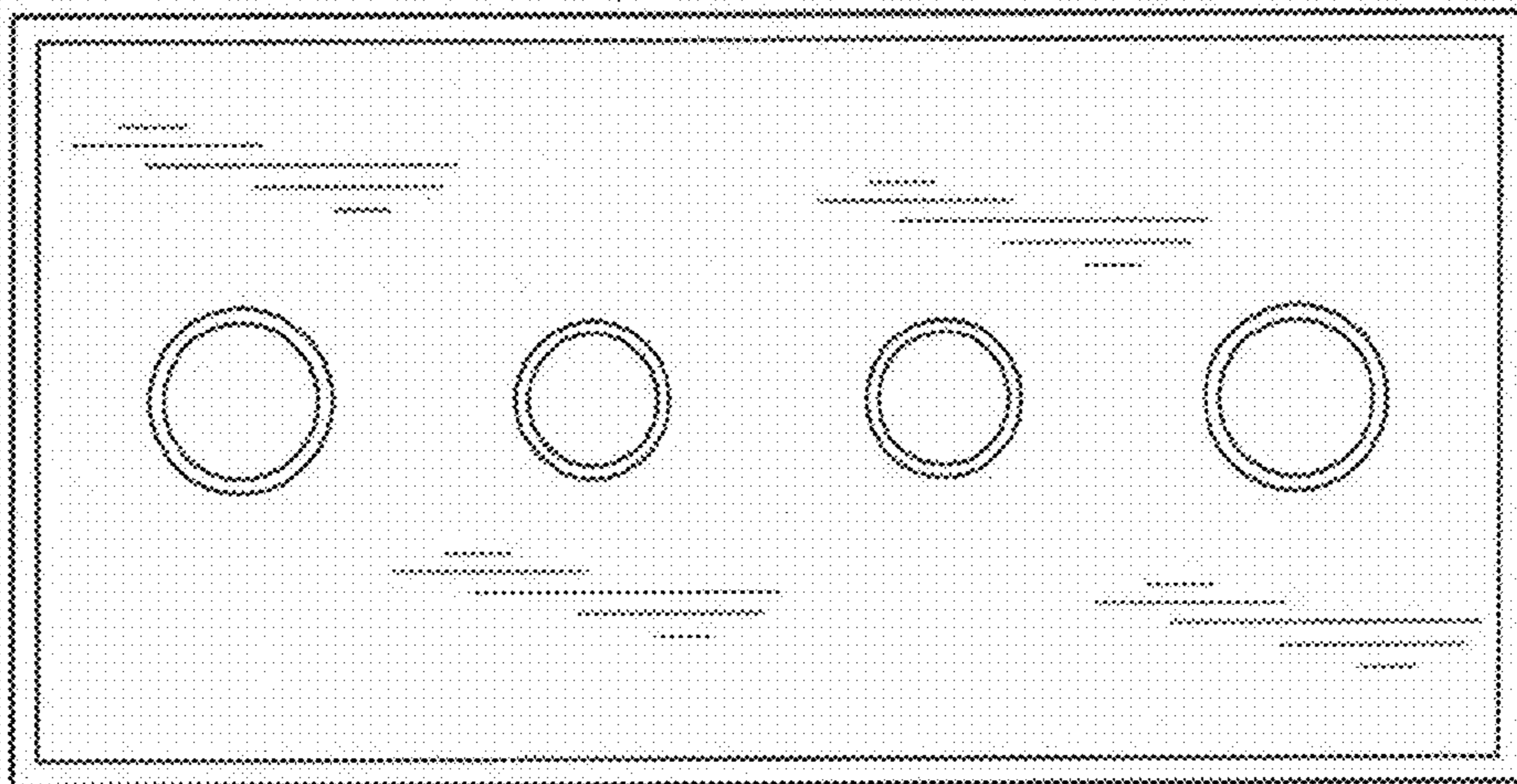


FIG. 5

