



US00D648087S

(12) **United States Design Patent**
Park et al.

(10) **Patent No.:** **US D648,087 S**
(45) **Date of Patent:** **** Nov. 1, 2011**

(54) **VACUUM CLEANER ASSEMBLY**

(75) Inventors: **Eric Young Park**, Portland, OR (US);
Michael Keith Lemmon, Portland, OR
(US); **David Randall Knaub**, Portland,
OR (US); **Pierre Harper**, Portland, OR
(US); **Mattias Segerholt**, Portland, OR
(US); **Felix Ballerstedt**, Portland, OR
(US); **Douglas J. Medema**, Belding, MI
(US)

(73) Assignee: **BISSELL Homecare, Inc.**, Grand
Rapids, MI (US)

(**) Term: **14 Years**

(21) Appl. No.: **29/379,221**

(22) Filed: **Nov. 16, 2010**

(51) **LOC (9) Cl.** **15-05**

(52) **U.S. Cl.** **D32/31**

(58) **Field of Classification Search** D32/22,
D32/31, 34; 55/337, 429, 459.1, DIG. 2,
55/DIG. 3; 15/386, 320, 350, 353, 361, 347,
15/410-411, 327.1, 329, 383, 398, 366, 182-183,
15/179, 344, 374, 392, 339, 402, 415.1, 419,
15/310, 4.52; 119/628

See application file for complete search history.

(56) **References Cited**

U.S. PATENT DOCUMENTS

D455,876	S	*	4/2002	Arney et al.	D32/22
D521,699	S	*	5/2006	Greene et al.	D32/22
D537,584	S	*	2/2007	Greene et al.	D32/22
D547,507	S	*	7/2007	Medema et al.	D32/31
D553,313	S	*	10/2007	Parr et al.	D32/22
D608,064	S	*	1/2010	Conrad et al.	D32/22
D608,962	S	*	1/2010	Reese et al.	D32/22
D611,210	S	*	3/2010	Conrad et al.	D32/31
2010/0251506	A1	*	10/2010	Conrad	15/344

* cited by examiner

Primary Examiner — Ruth McInroy

(74) *Attorney, Agent, or Firm* — McGarry Bair PC

(57) **CLAIM**

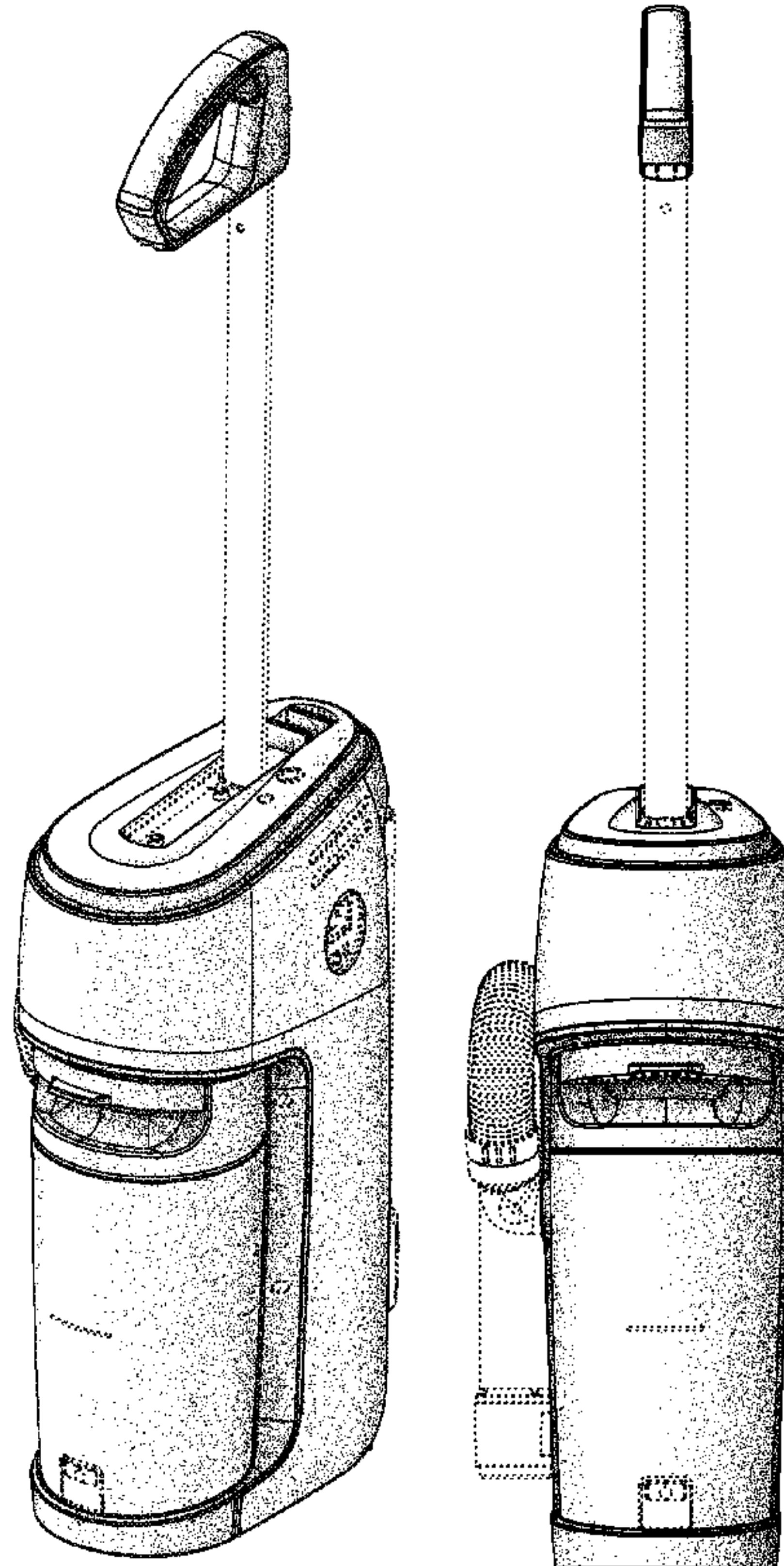
The ornamental design for a vacuum cleaner assembly, as shown and described.

DESCRIPTION

FIG. 1 is a front perspective view of a vacuum cleaner assembly which embodies our design;
FIG. 2 is a rear perspective view thereof;
FIG. 3 is a front view thereof;
FIG. 4 is a rear view thereof;
FIG. 5 is a left side view thereof;
FIG. 6 is a right side view thereof;
FIG. 7 is a top view thereof; and,
FIG. 8 is a bottom view thereof.

The details shown in broken lines form no part of the claimed design.

1 Claim, 5 Drawing Sheets



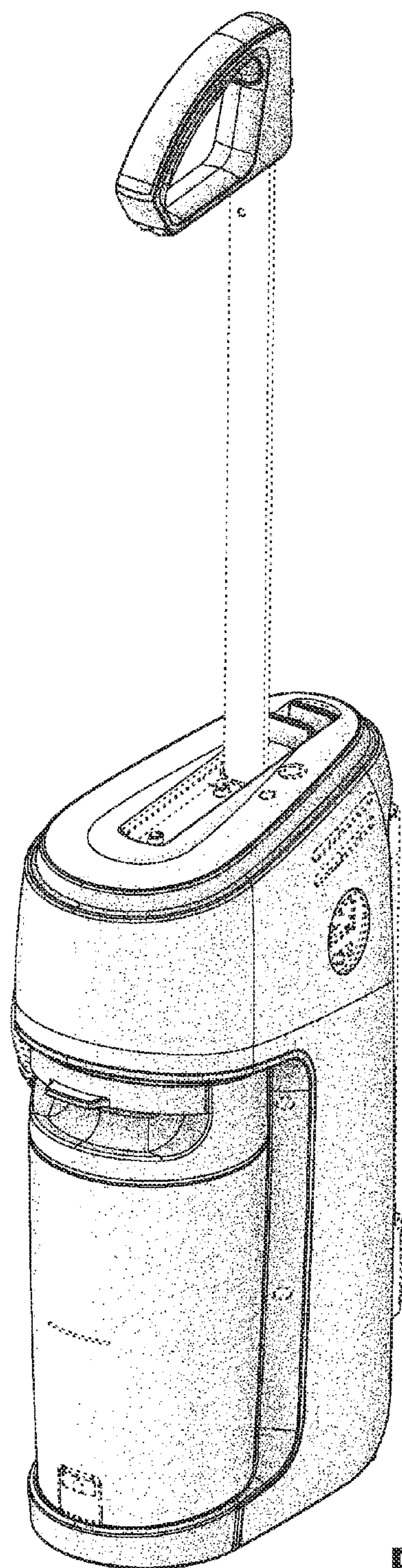


Fig. 1

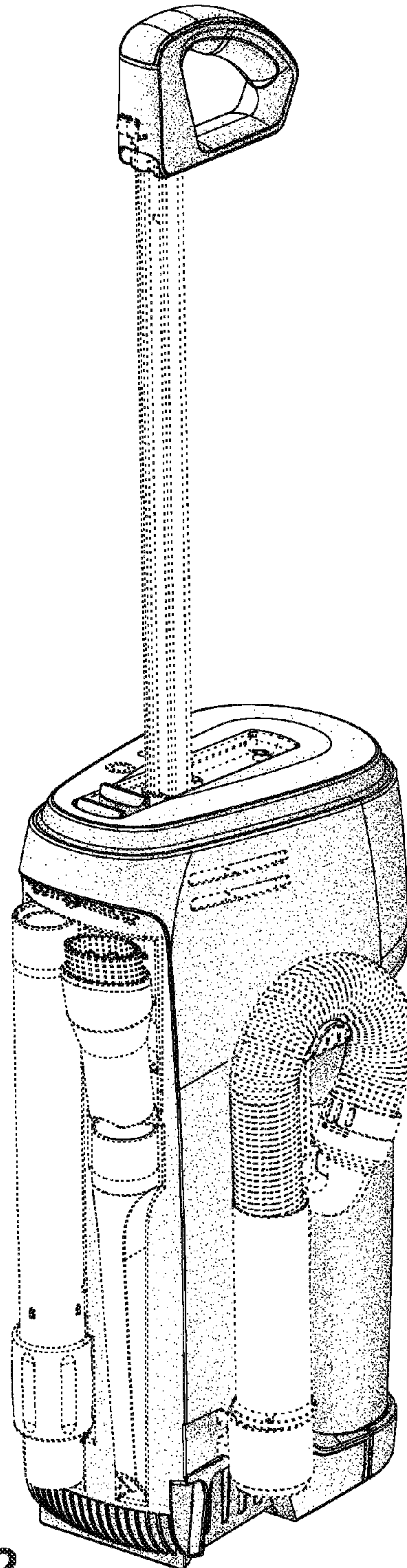


Fig. 2

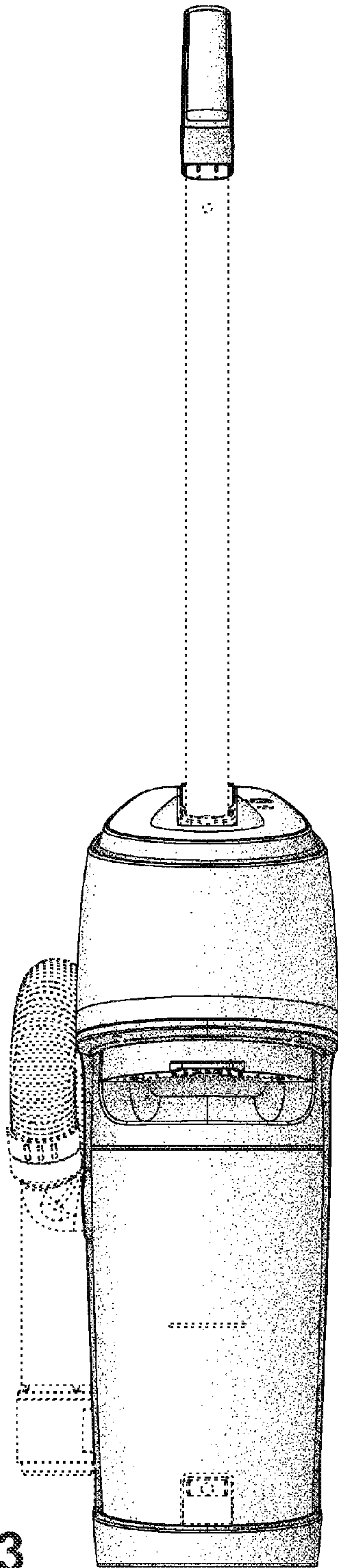


Fig. 3

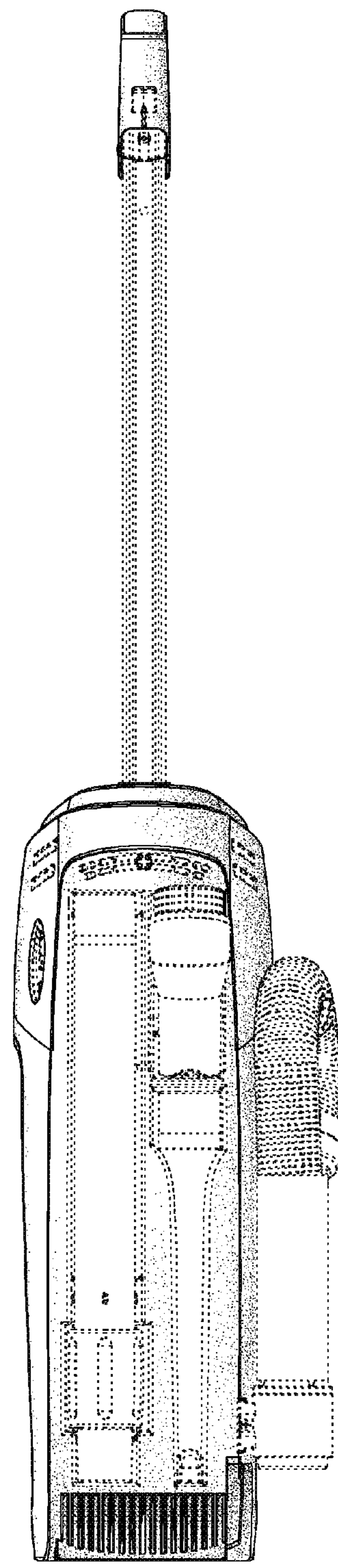


Fig. 4

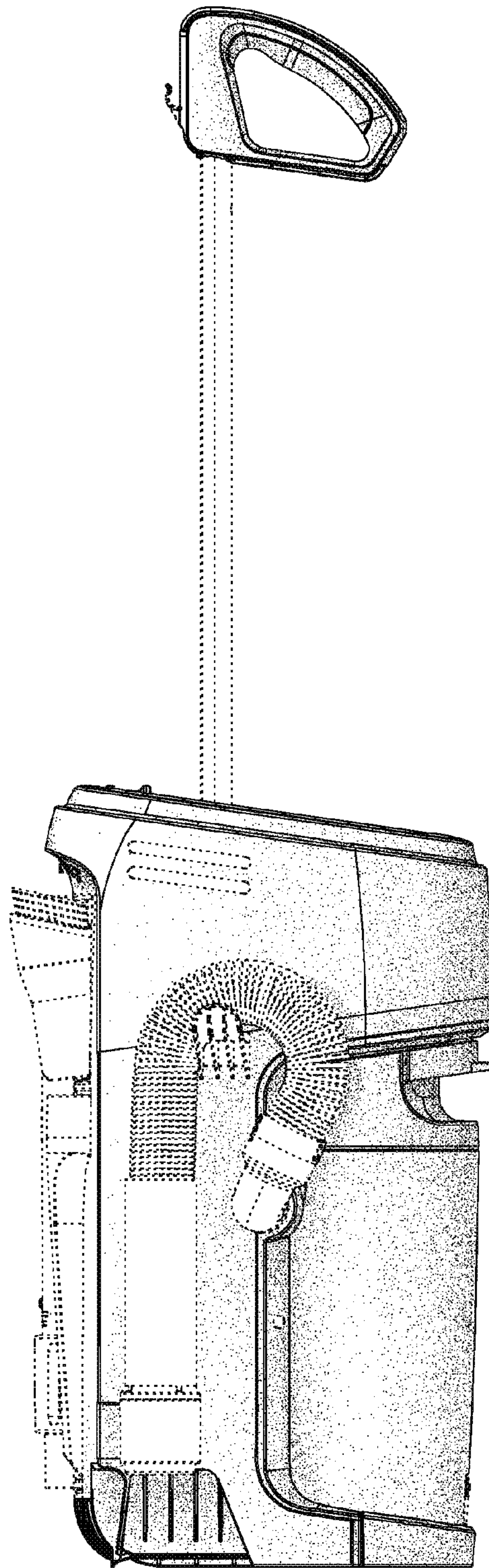


Fig. 5

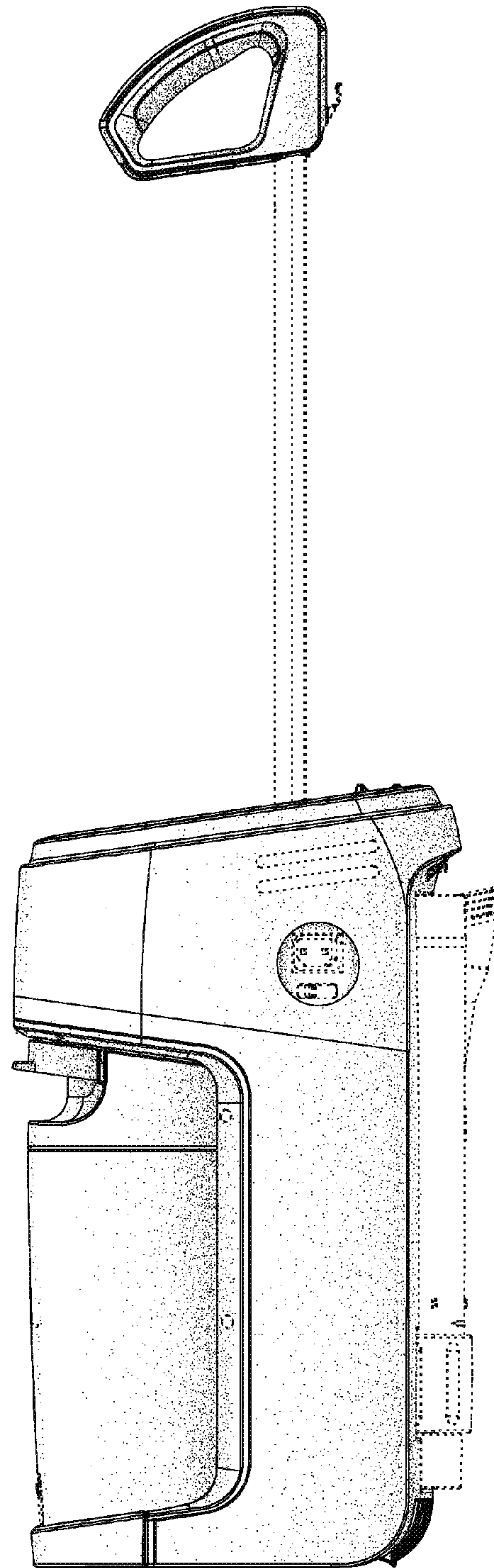


Fig. 6

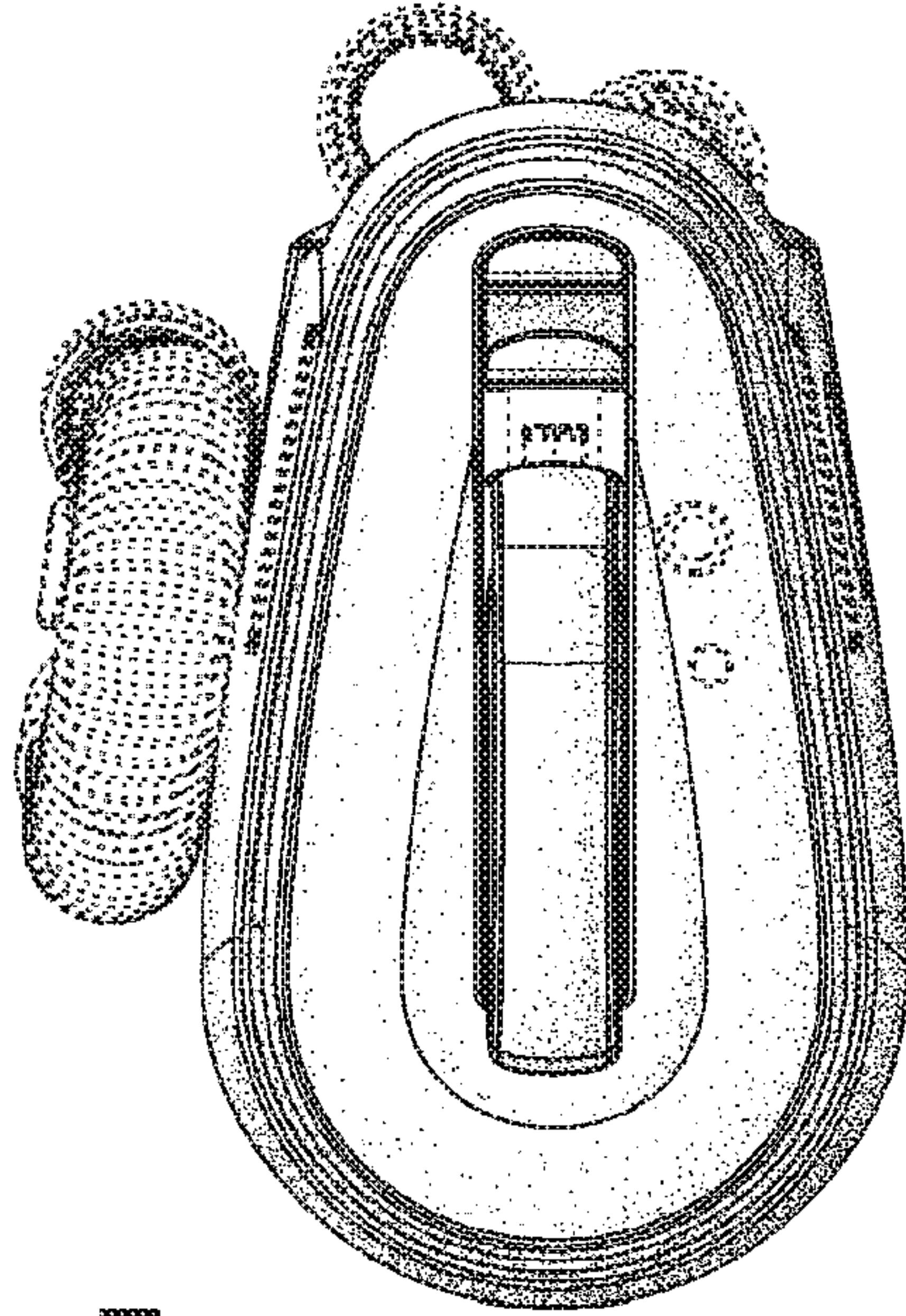


Fig. 7

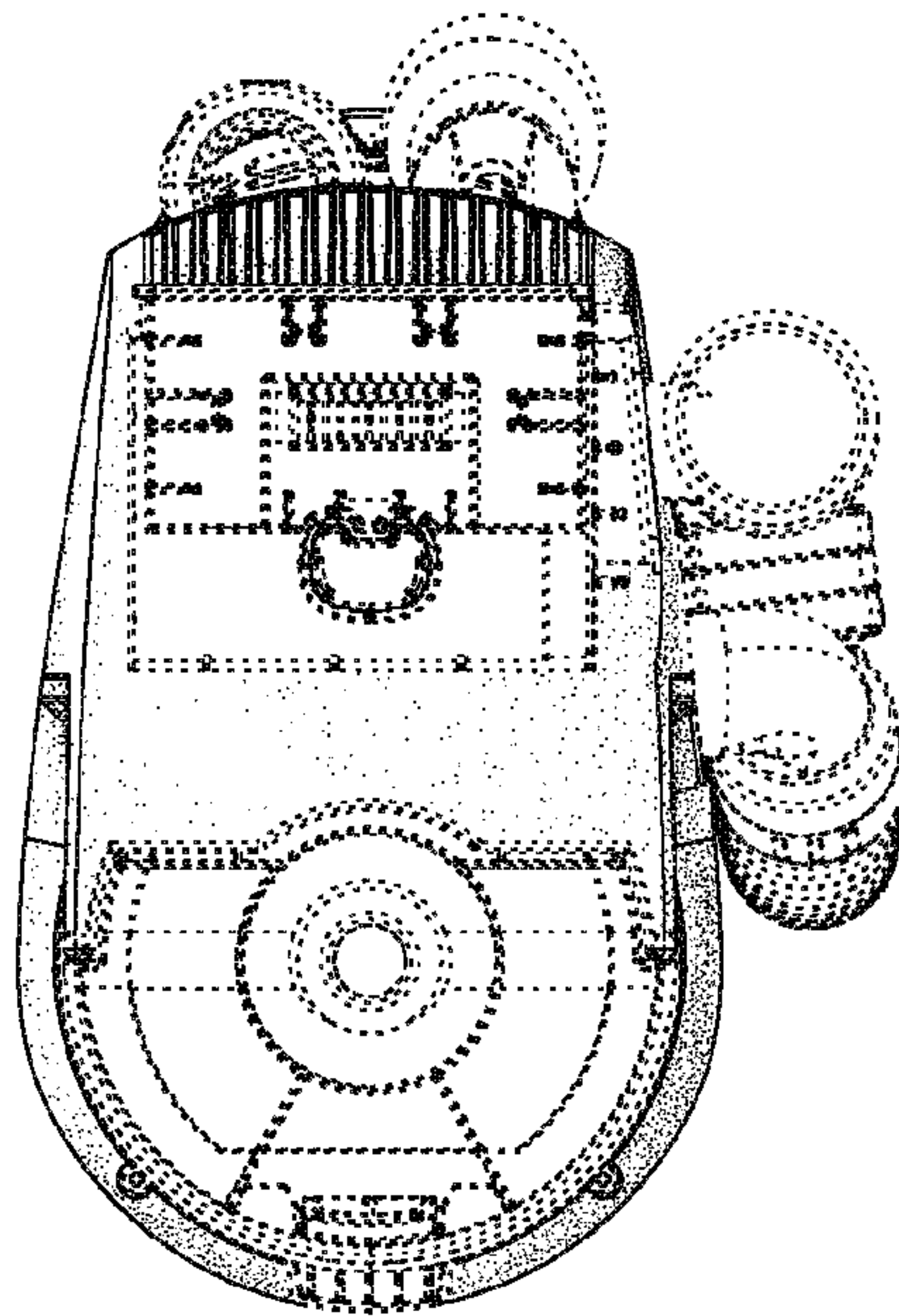


Fig. 8