



US00D648086S

(12) **United States Design Patent**  
**Hill et al.**

(10) **Patent No.:** **US D648,086 S**  
(45) **Date of Patent:** **\*\* Nov. 1, 2011**

(54) **PORTION OF AN UPRIGHT VACUUM CLEANER**

(75) Inventors: **Ambreese Hill**, Grand Rapids, MI (US);  
**Terese Mauch**, Bay City, MI (US)

(73) Assignee: **BISSELL Homecare, Inc.**, Grand Rapids, MI (US)

(\*\*) Term: **14 Years**

(21) Appl. No.: **29/357,391**

(22) Filed: **Mar. 11, 2010**

(51) **LOC (9) Cl.** ..... **15-05**

(52) **U.S. Cl.** ..... **D32/31**

(58) **Field of Classification Search** ..... 15/231,  
15/233, 246.2, 353, 50.1, 98, 118, 302, 182,  
15/179, 168, 228, 319, 403, 209.1, 52.1,  
15/246.3, 320-322, 415.1-422.1, 414, 412,  
15/354, 362, 366, 374, 400, 327.1, 329, 41.1,  
15/42, 48, 171, 176.1, 459.1, 339, 208, 372,  
15/385, 115, 106; D32/45, 50-51, 17, 31-33,  
D32/22, 38-40, 25, 49; 401/138-139, 268;  
68/222; 134/198, 105; D8/349, 382; 248/684,  
248/686, 206.15; 392/404-406; 122/379  
See application file for complete search history.

(56) **References Cited**

**U.S. PATENT DOCUMENTS**

D462,489 S \* 9/2002 Roberts et al. .... D32/31  
D462,815 S \* 9/2002 Roberts et al. .... D32/31

D468,069 S \* 12/2002 Roberts et al. .... D32/31  
D488,894 S \* 4/2004 Leyden ..... D32/22  
D493,587 S \* 7/2004 Downey et al. .... D32/31  
D494,330 S \* 8/2004 Downey et al. .... D32/31  
D509,934 S \* 9/2005 Santiago et al. .... D32/31  
D533,976 S \* 12/2006 Luebbering et al. .... D32/31  
7,377,007 B2 \* 5/2008 Best ..... 15/329  
D598,617 S \* 8/2009 Santiago ..... D32/31  
D609,414 S \* 2/2010 Santiago ..... D32/31  
D609,417 S \* 2/2010 Hill ..... D32/31  
7,937,801 B2 \* 5/2011 Egler et al. .... 15/320  
2006/0282977 A1 \* 12/2006 Allgeier et al. .... 15/347

\* cited by examiner

*Primary Examiner* — Ruth McInroy

(74) *Attorney, Agent, or Firm* — McGarry Bair PC

(57) **CLAIM**

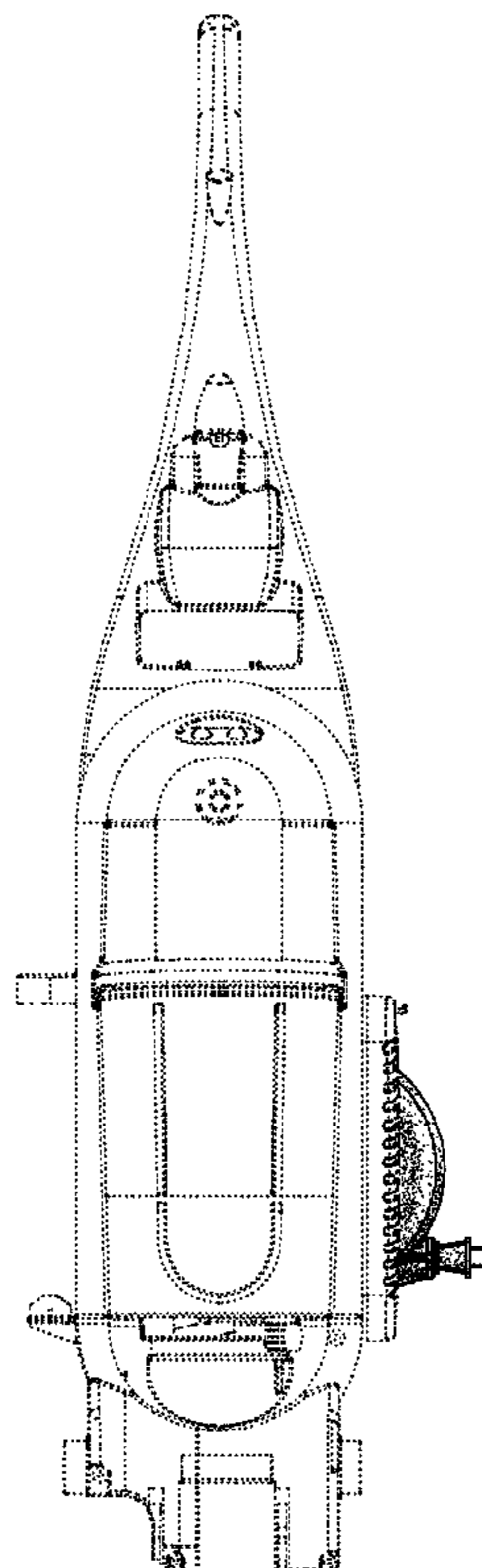
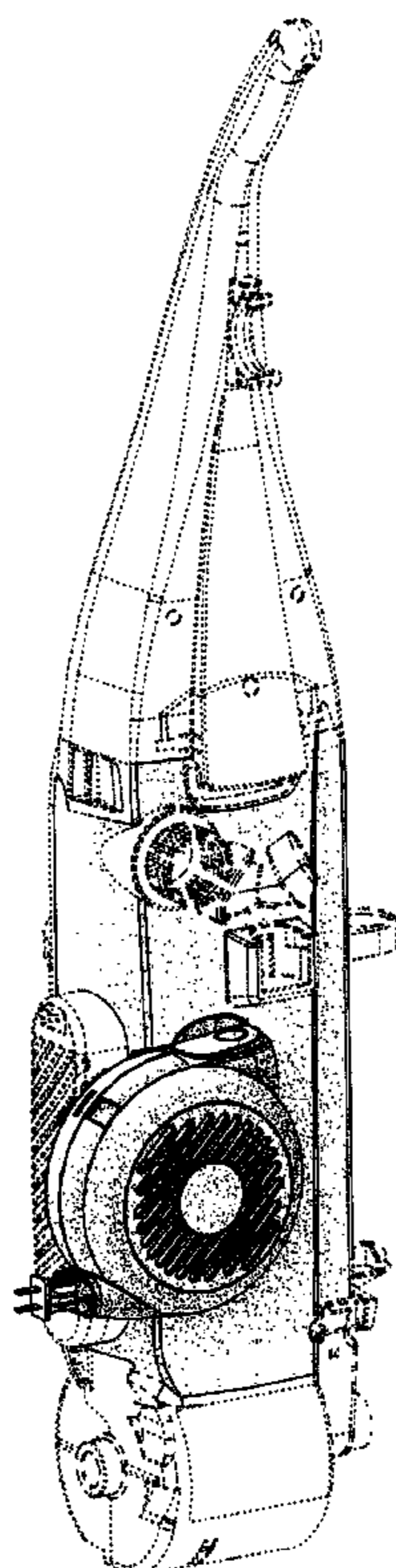
The ornamental design for a portion of an upright vacuum cleaner, as shown and described.

**DESCRIPTION**

FIG. 1 is a front perspective view of a portion of an upright vacuum cleaner which embodies our design;  
FIG. 2 is a rear perspective view thereof;  
FIG. 3 is a front view thereof;  
FIG. 4 is a rear view thereof;  
FIG. 5 is a left side view thereof;  
FIG. 6 is a right side view thereof;  
FIG. 7 is a top view thereof; and,  
FIG. 8 is a bottom view thereof.

The claimed design is defined by the solid lines and surface shading in FIGS. 1-8.

**1 Claim, 4 Drawing Sheets**



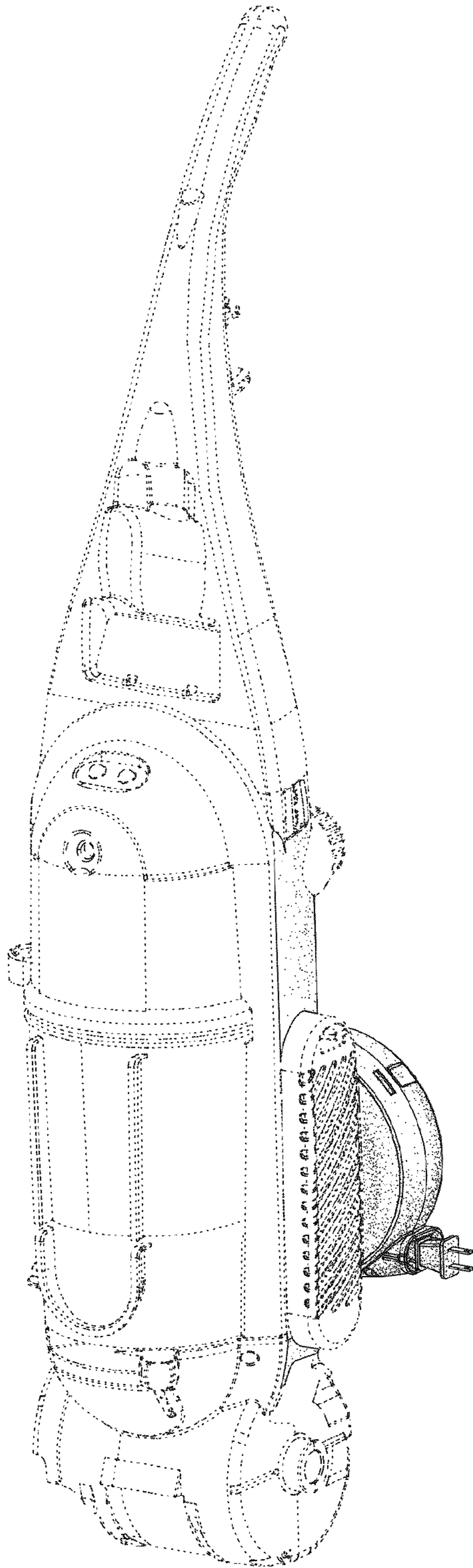


Fig. 1

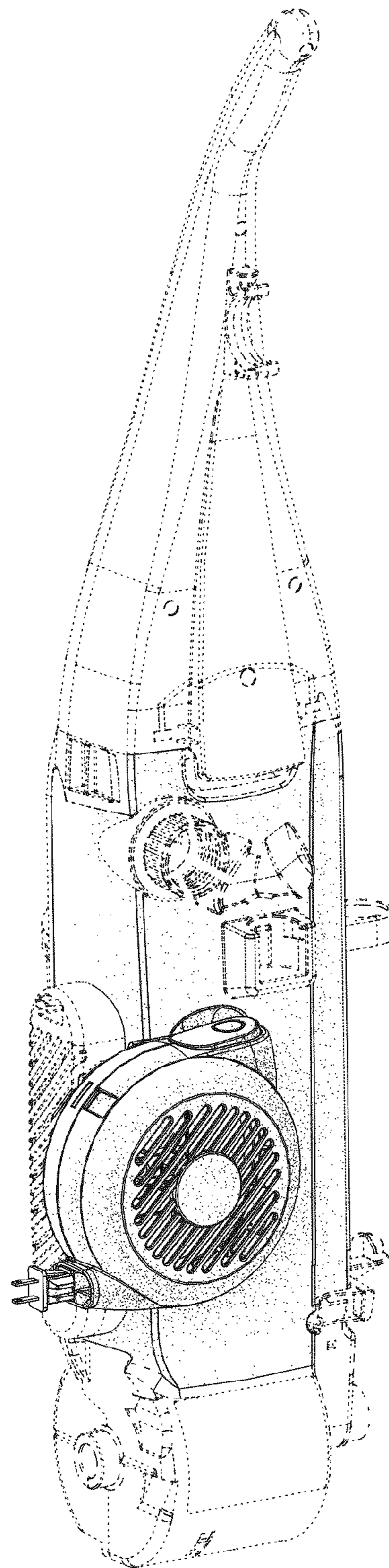


Fig. 2



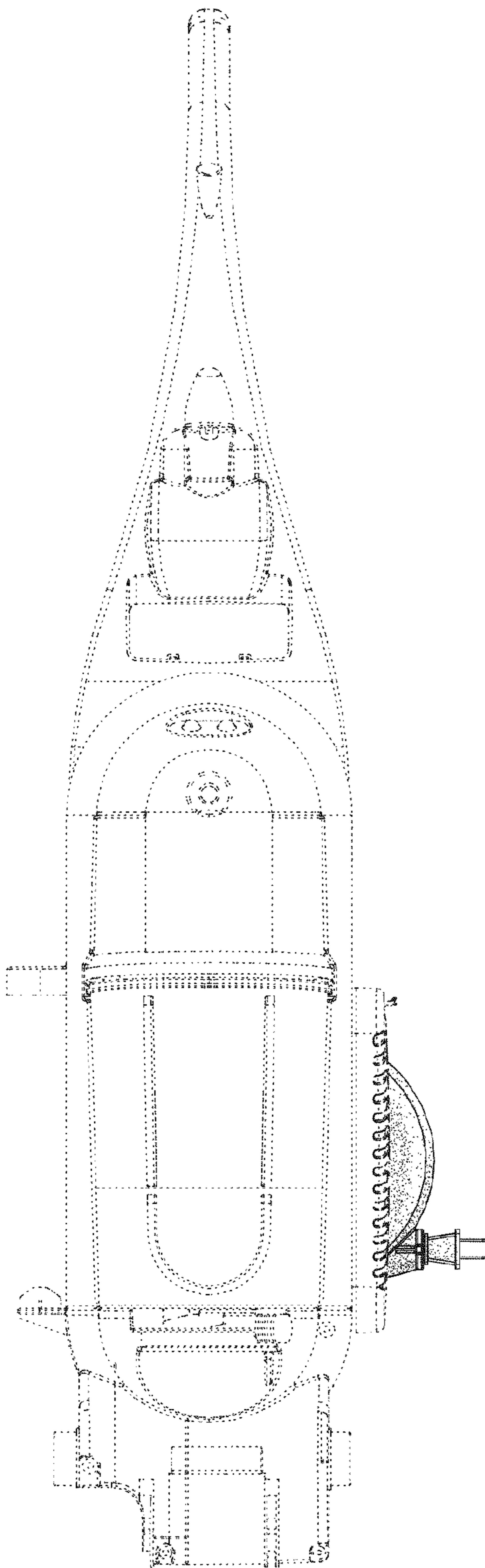


Fig. 3

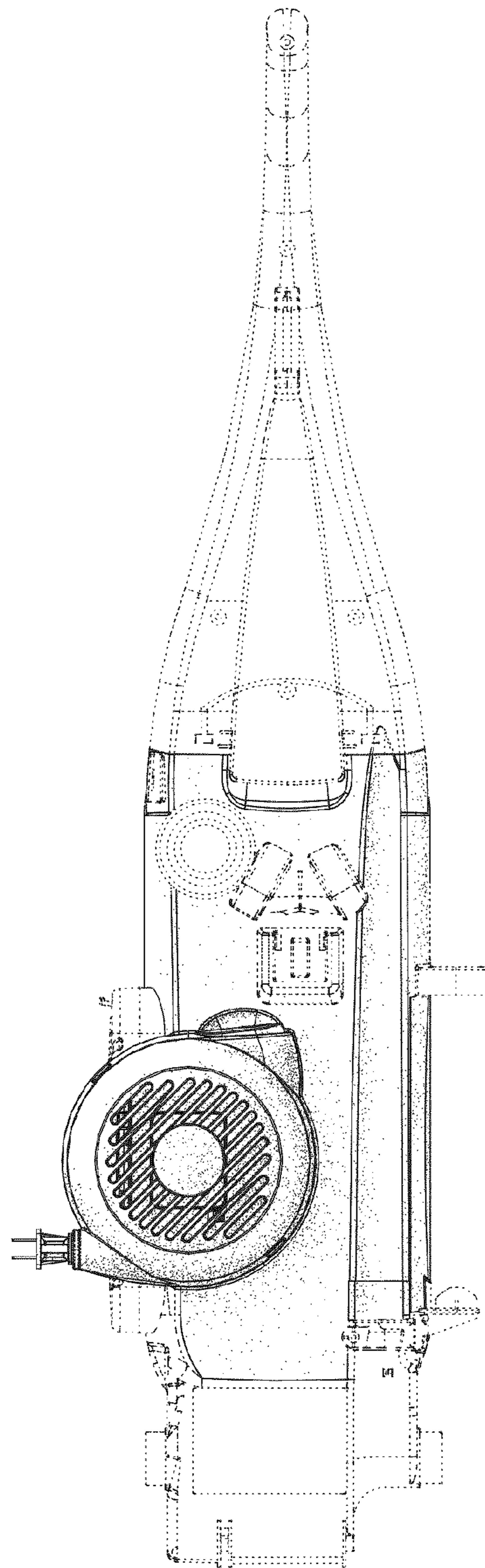


Fig. 4

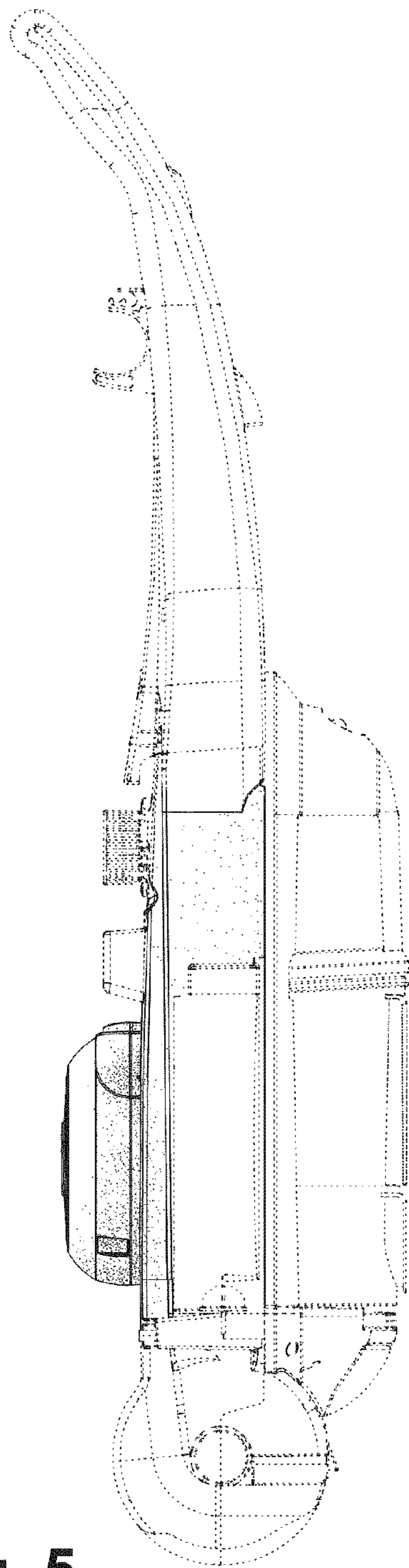


Fig. 5

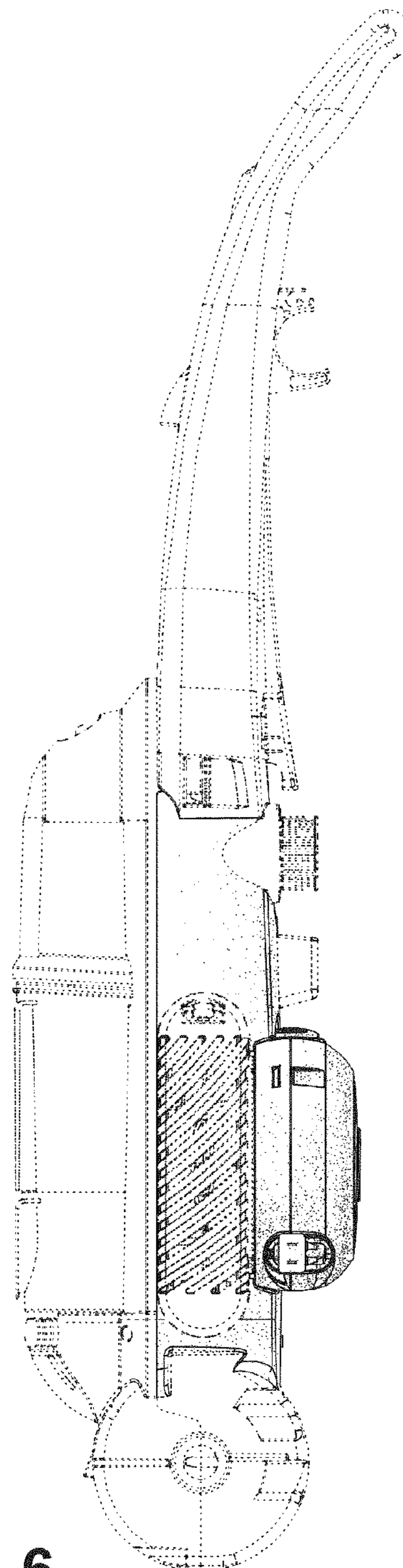
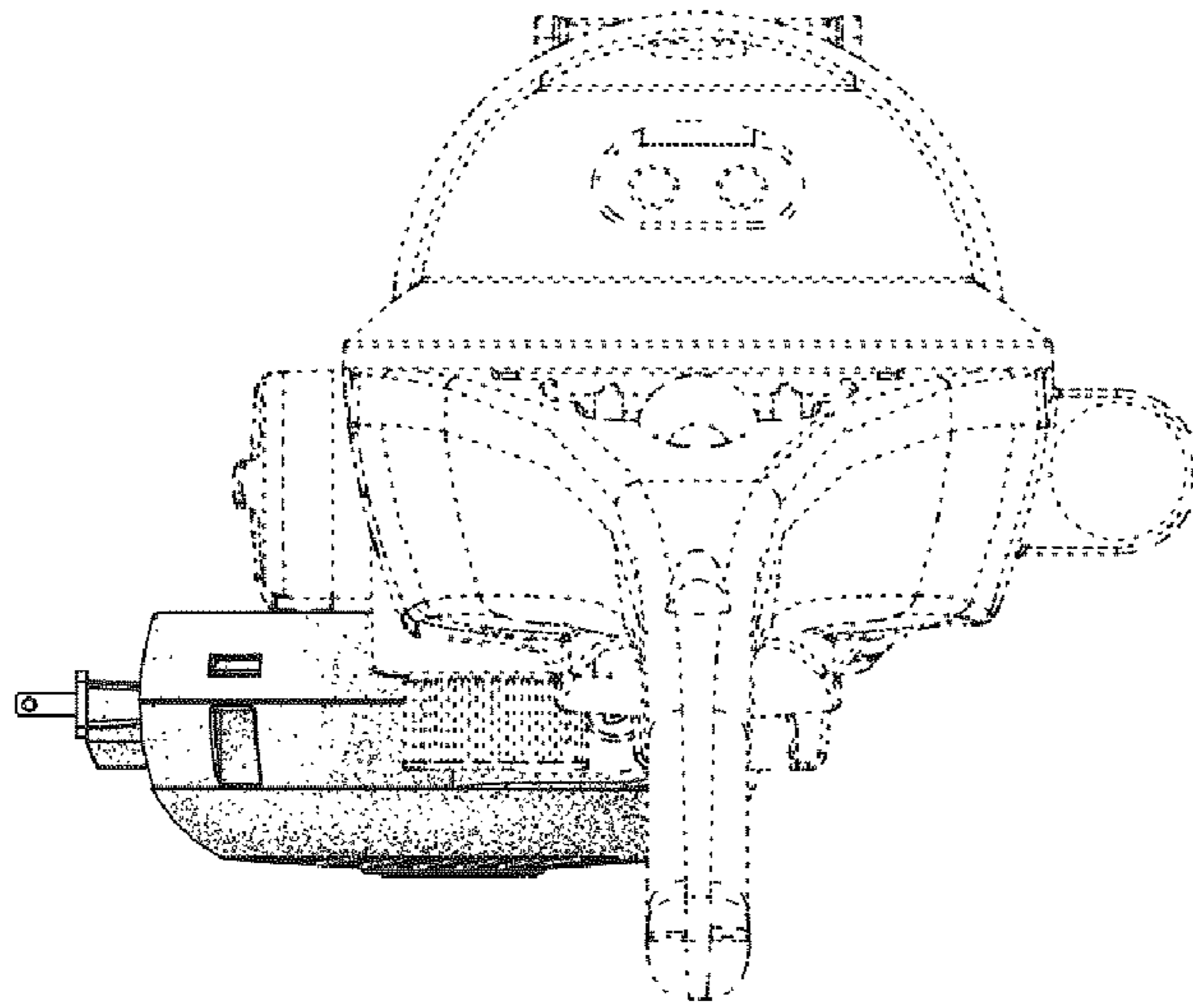
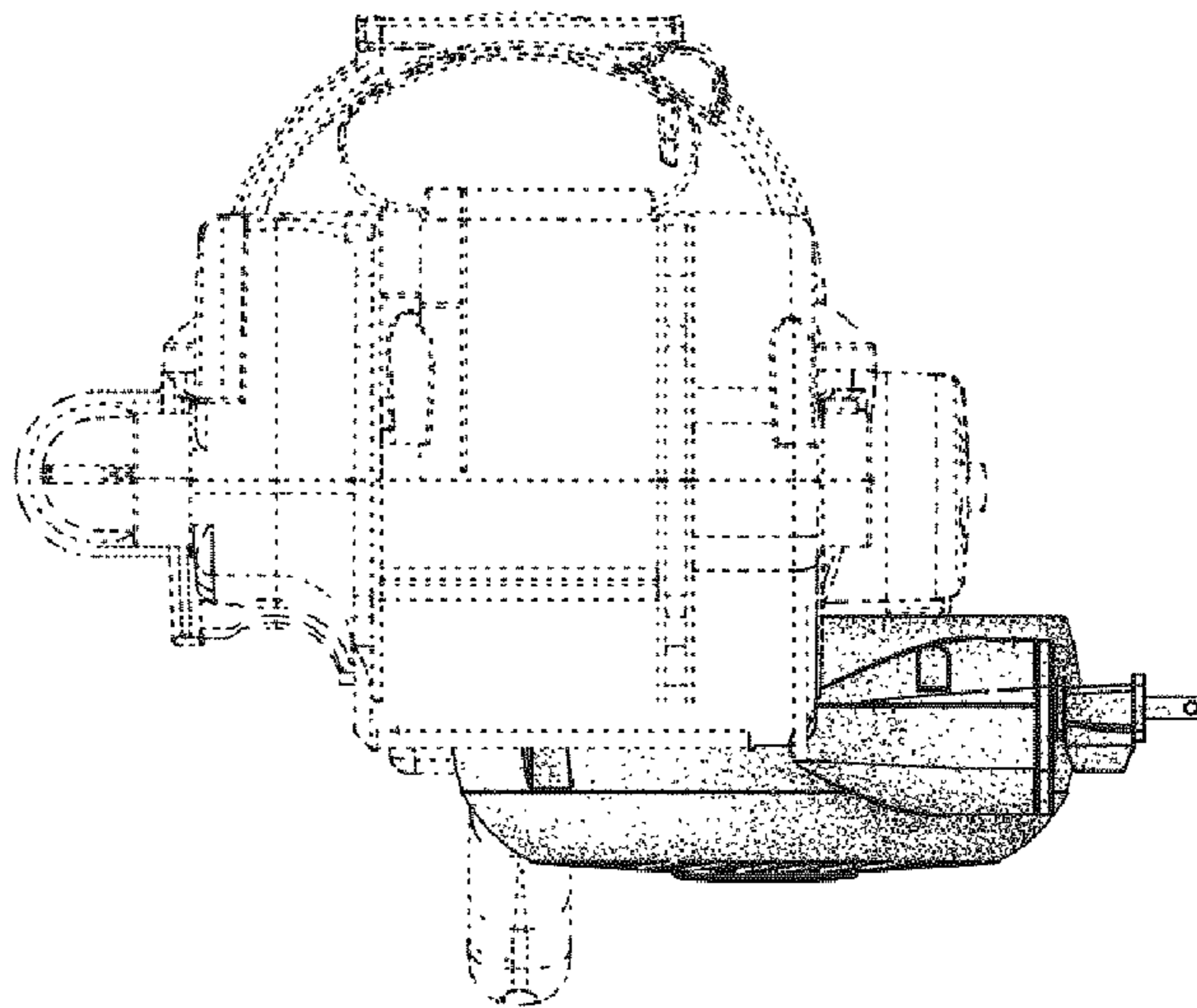


Fig. 6



**Fig. 7**



**Fig. 8**