



US00D648082S

(12) **United States Design Patent**
Alexander et al.

(10) **Patent No.:** **US D648,082 S**

(45) **Date of Patent:** **** Nov. 1, 2011**

(54) **PRESSURE WASHER**

(75) Inventors: **Gus Alexander**, Inverness, IL (US);
Ryan D Sherwood, Chicago, IL (US);
Christopher C Alexander, Chicago, IL
(US); **William N Alexander**, Inverness,
IL (US)

(73) Assignee: **FNA IP Holdings, Inc.**, Elk Grove
Village, IL (US)

(**) Term: **14 Years**

(21) Appl. No.: **29/392,168**

(22) Filed: **May 18, 2011**

Related U.S. Application Data

(62) Division of application No. 29/365,617, filed on Jul.
12, 2010, now Pat. No. Des. 639,001.

(51) **LOC (9) Cl.** **15-05**

(52) **U.S. Cl.** **D32/15**

(58) **Field of Classification Search** D32/1,
D32/17-18, 21; D23/225; 15/315, 320-321,
15/340.1, 344-345, 412, 414, 415.1; 239/146-149,
239/525, 722; 417/360, 364
See application file for complete search history.

(56) **References Cited**

U.S. PATENT DOCUMENTS

D223,039	S	*	2/1972	Widmar	D15/7
D264,888	S	*	6/1982	Watts	D34/26
5,203,815	A	*	4/1993	Miller	43/21.2
D345,842	S		4/1994	Sloan		
D349,711	S	*	8/1994	Torntore et al.	D15/13
5,380,033	A	*	1/1995	Harling	280/654
5,468,005	A	*	11/1995	Yang	280/40
D375,590	S	*	11/1996	Steinhart et al.	D32/15
5,700,137	A		12/1997	Simonette		
5,799,958	A	*	9/1998	Bishop	280/47.26
5,967,544	A	*	10/1999	Kanta	280/652

6,022,032	A	*	2/2000	Savage	280/47.24
D424,771	S		5/2000	Sivells		
6,070,808	A	*	6/2000	Kildow	239/146
D444,279	S		6/2001	Kristiansen		
6,279,838	B1	*	8/2001	Sivells et al.	239/146
D456,582	S	*	4/2002	Riach	D34/24
D458,423	S		6/2002	Rehkugler		
D463,888	S		10/2002	Rehkugler		
D465,624	S	*	11/2002	Kolicheski et al.	D32/25
D467,692	S		12/2002	Morgan		
6,695,235	B2		2/2004	Faller		

(Continued)

OTHER PUBLICATIONS

Operator's Manual for Simpson Pressure Washer Model MSV2200,
Rev. 1 5/10, (40 pages) dated 2010.

Primary Examiner — Celia A. Murphy

Assistant Examiner — Kathleen M Sims

(74) *Attorney, Agent, or Firm* — Cook Alex Ltd.

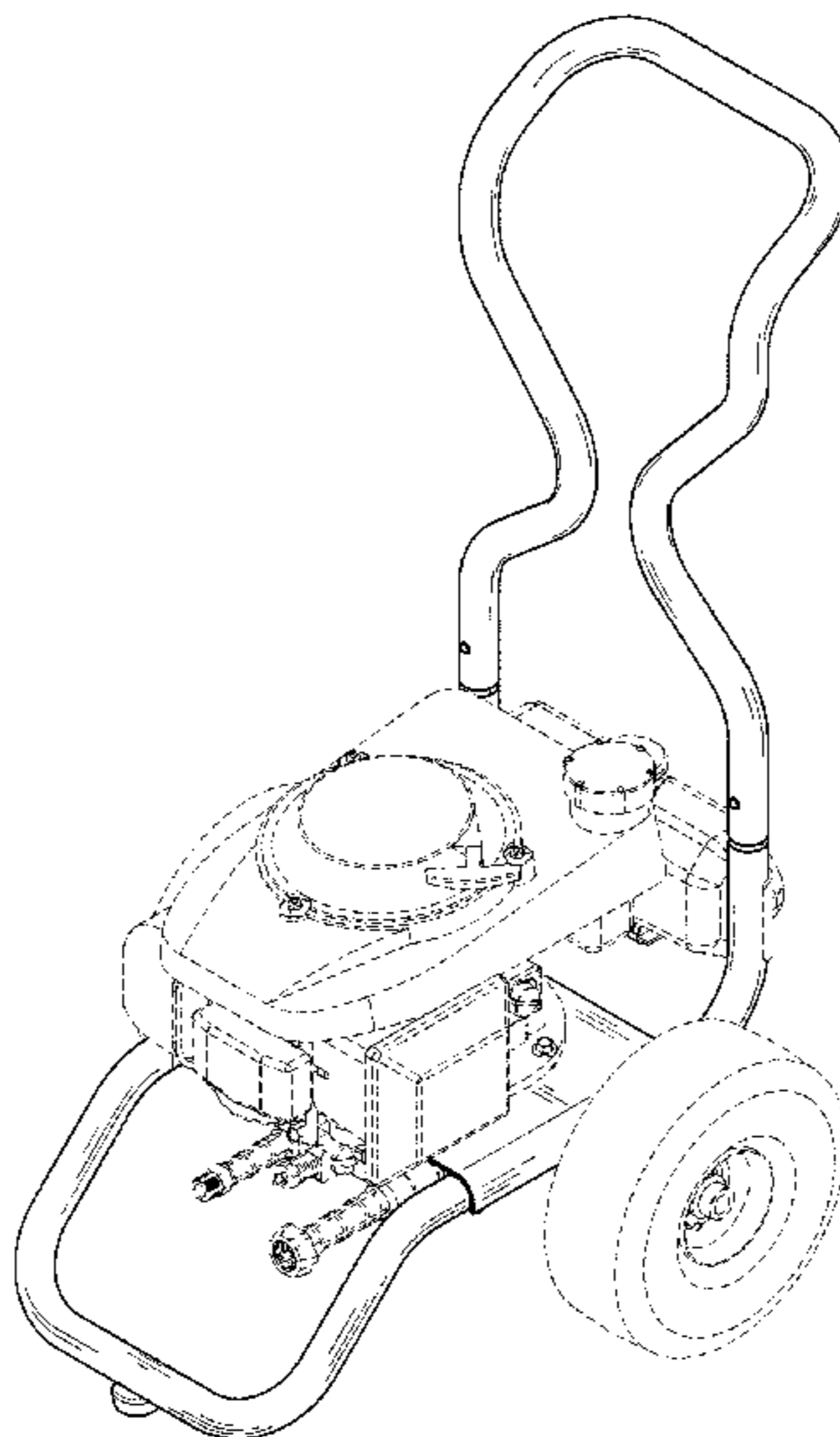
(57) **CLAIM**

The ornamental design for a pressure washer, as shown and
described.

DESCRIPTION

FIG. 1 is a perspective view of a pressure washer showing our
new design;
FIG. 2 is a left side elevation view of the pressure washer of
FIG. 1;
FIG. 3 is a front elevation view the pressure washer of FIG. 1;
FIG. 4 is a right side elevation view of the pressure washer of
FIG. 1;
FIG. 5 is a rear elevation view of the pressure washer of FIG.
1;
FIG. 6 is a top plan view of pressure washer of FIG. 1; and,
FIG. 7 is a bottom plan view of pressure washer of FIG. 1.
The broken lines in FIGS. 1-7 are for illustrative purposes
only and form no part of the claimed design.

1 Claim, 6 Drawing Sheets



US D648,082 S

Page 2

U.S. PATENT DOCUMENTS

6,750,556	B2 *	6/2004	Sodemann et al.	290/1 A	D580,605	S *	11/2008	Rodenkirch et al.	D32/15
6,779,987	B2	8/2004	Dexter		D580,610	S	11/2008	Hawkins	
D499,848	S	12/2004	Leasure		D585,622	S	1/2009	Allsop	
6,935,642	B1 *	8/2005	Craig et al.	280/47.24	7,475,888	B2	1/2009	Craig	
7,125,228	B2	10/2006	Dexter		D592,374	S *	5/2009	Zenkus et al.	D34/24
7,128,344	B2 *	10/2006	Sharp	280/830	7,562,780	B2	7/2009	Gilpatrick	
D532,942	S	11/2006	Busschaert		7,604,246	B2	10/2009	Sodermann	
D553,325	S *	10/2007	Miller et al.	D34/24	D615,724	S *	5/2010	Girard	D34/17
D558,948	S *	1/2008	Miller et al.	D34/24	D619,312	S *	7/2010	Rodenkirch et al.	D32/15
7,316,286	B2	1/2008	Hillary		2005/0145270	A1	7/2005	Ray	
D564,724	S *	3/2008	Dethier	D34/24	2006/0102745	A1	5/2006	Dexter	
D580,518	S *	11/2008	Johnson et al.	D23/225					

* cited by examiner

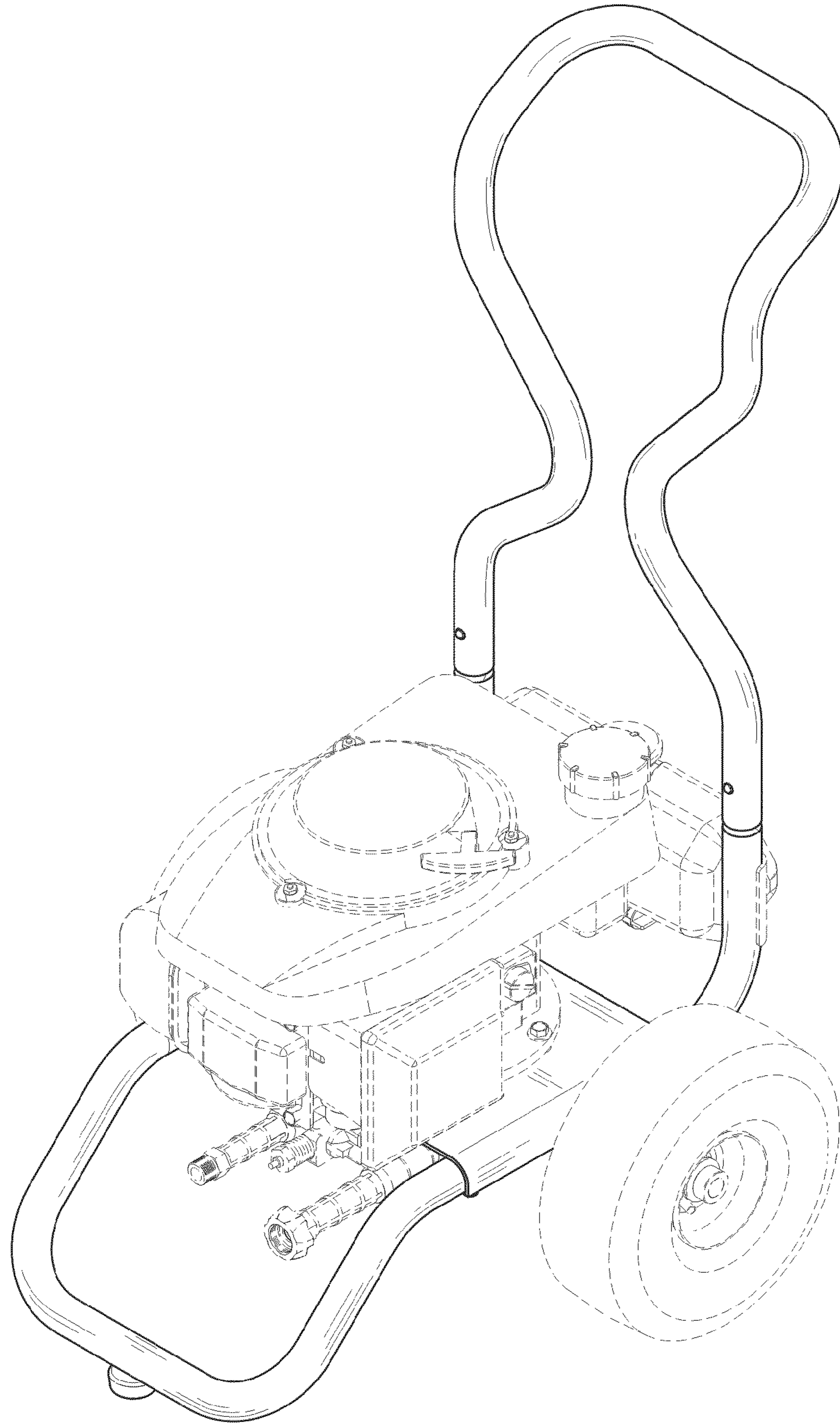


FIG. 1

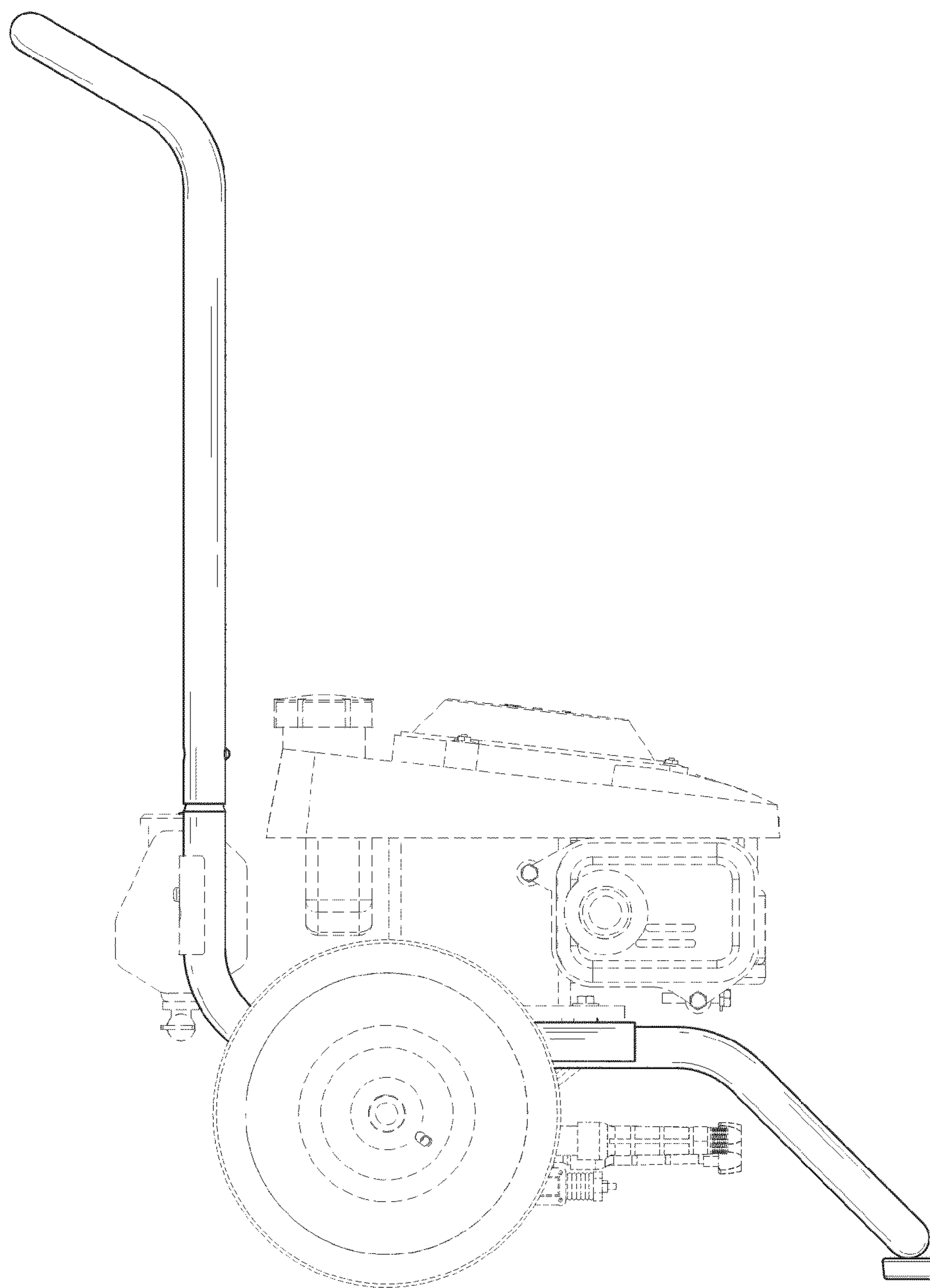


FIG. 2

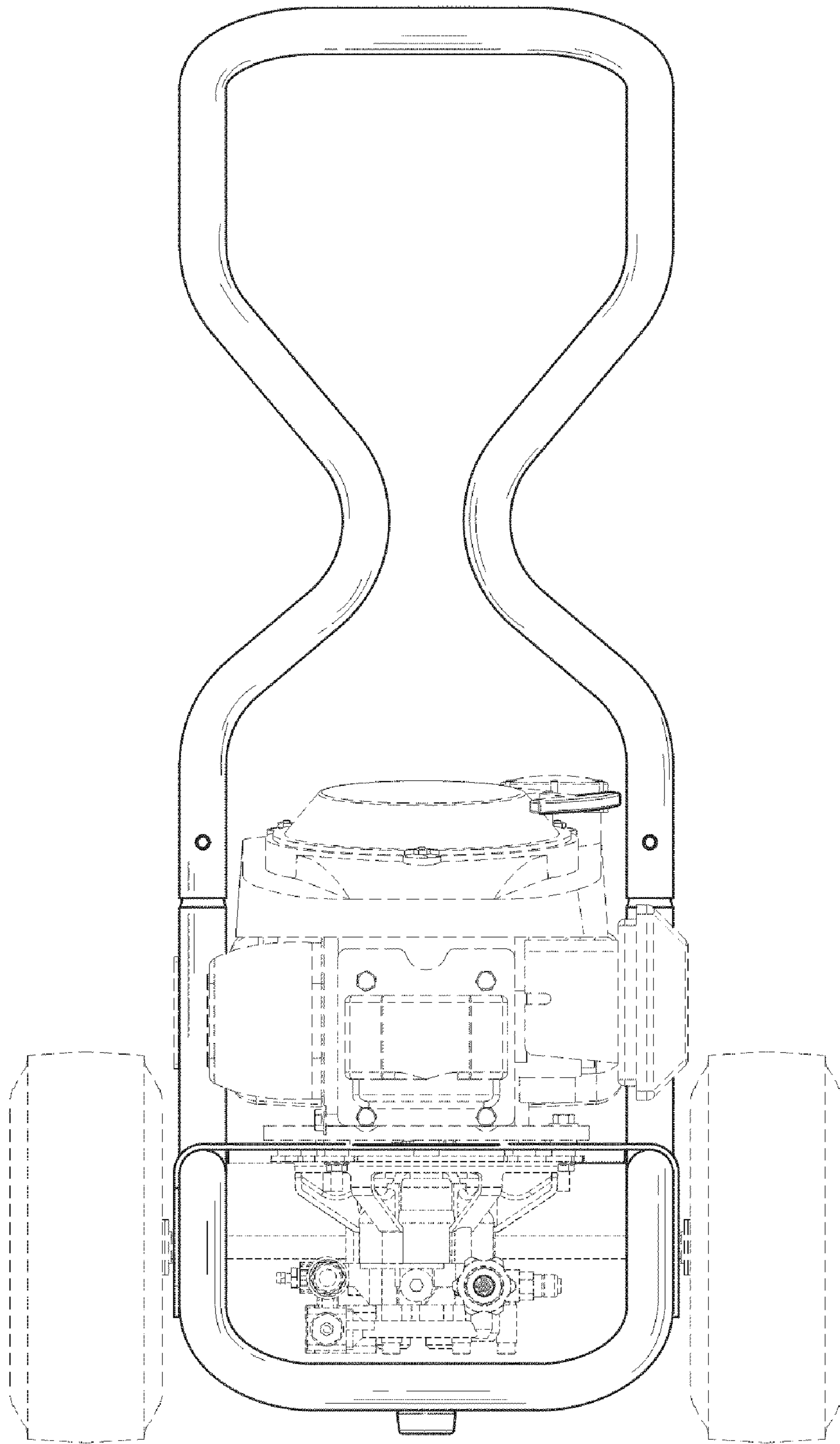


FIG. 3

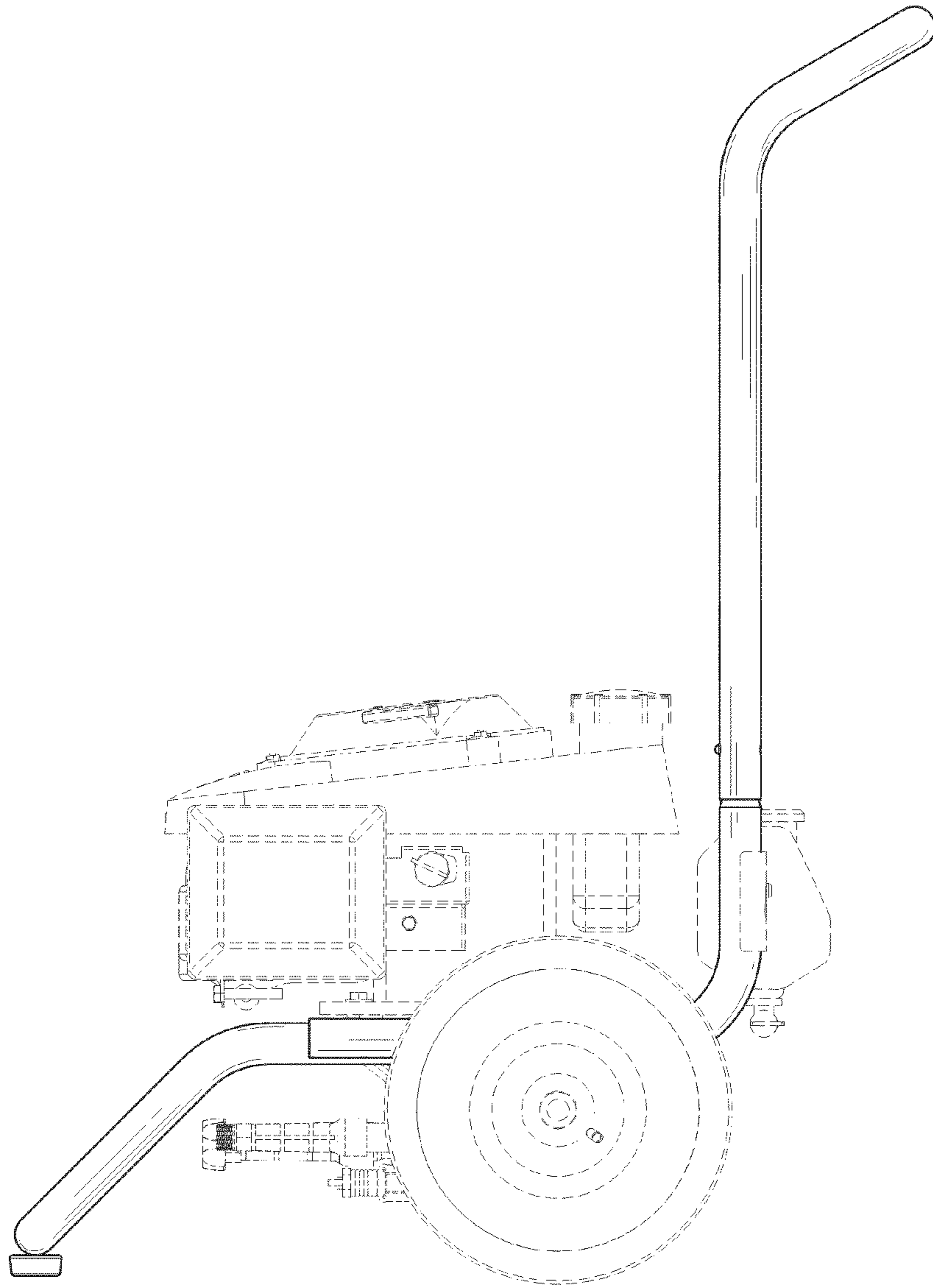


FIG. 4

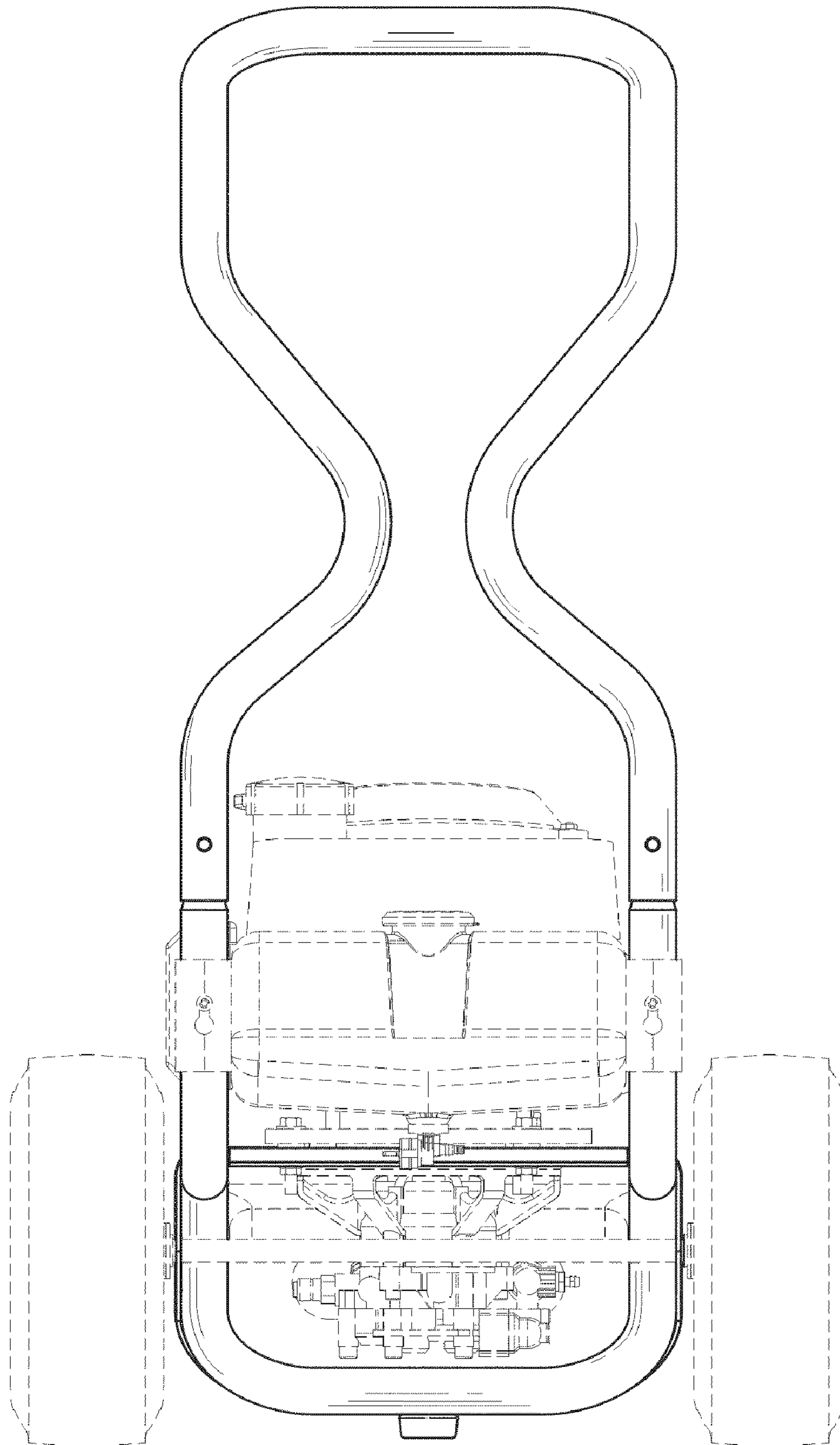


FIG. 5

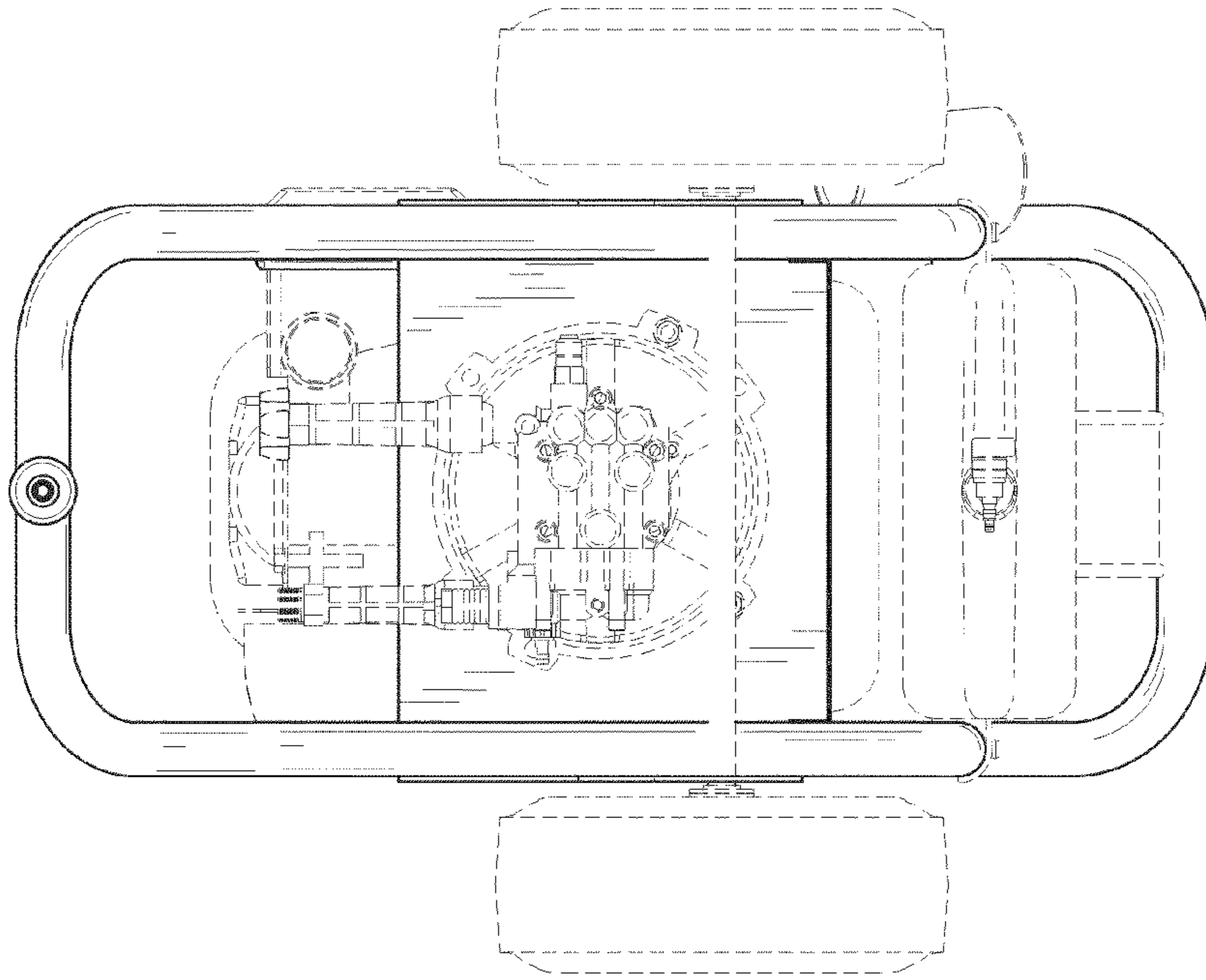


FIG. 7

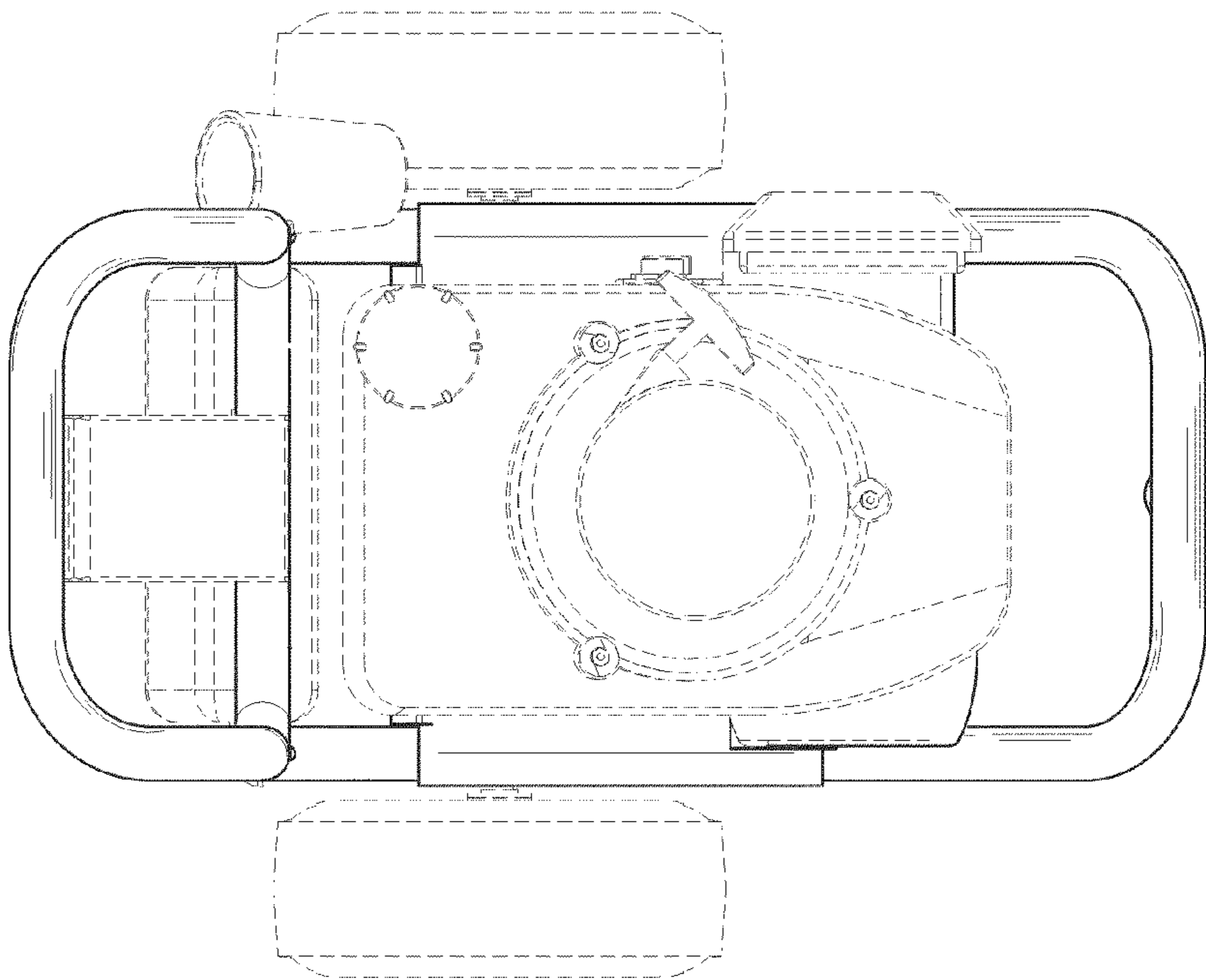


FIG. 6