



US00D648076S

(12) **United States Design Patent**
Jessemey et al.

(10) **Patent No.:** **US D648,076 S**

(45) **Date of Patent:** **** Nov. 1, 2011**

(54) **HAIR REMOVAL CARTRIDGE**
(75) Inventors: **Paul Michael Jessemey**, Lambourn (GB); **Kevin James Wain**, Reading (GB)
(73) Assignee: **The Gillette Company**, Boston, MA (US)
(**) Term: **14 Years**

D467,387 S 12/2002 Wonderley
D499,511 S 12/2004 Wakayama
7,200,942 B2 4/2007 Richard
D552,795 S 10/2007 Wonderley
D601,753 S 10/2009 Cataudella et al.
D611,199 S 3/2010 Kwiecien et al.
D617,947 S 6/2010 Lukan et al.
D622,905 S 8/2010 Wain
D625,049 S 10/2010 Bridges et al.
D636,532 S * 4/2011 Jessemey et al. D28/47

* cited by examiner

(21) Appl. No.: **29/387,088**

Primary Examiner — Jennifer Rivard

(22) Filed: **Mar. 9, 2011**

(74) *Attorney, Agent, or Firm* — John M. Lipchitz; Kevin C. Johnson; Steven C. Miller

Related U.S. Application Data

(62) Division of application No. 29/377,964, filed on Oct. 28, 2010, now Pat. No. Des. 636,532.

(51) **LOC (9) Cl.** **28-03**

(52) **U.S. Cl.** **D28/47**

(58) **Field of Classification Search** D28/44-48;
30/32, 32.05, 34.1-34.2, 41, 44-46, 47-51,
30/57-58, 77-84, 526-539, 346.5-346.56,
30/346.61

See application file for complete search history.

(57) **CLAIM**

The ornamental design for a hair removal cartridge, as shown and described.

DESCRIPTION

FIG. 1 is a perspective view of a hair removal cartridge of the present invention;

FIG. 2 is a front view thereof;

FIG. 3 is a rear view thereof;

FIG. 4 is a right side view thereof;

FIG. 5 is a left side view thereof;

FIG. 6 is a top view thereof; and,

FIG. 7 is a bottom view thereof.

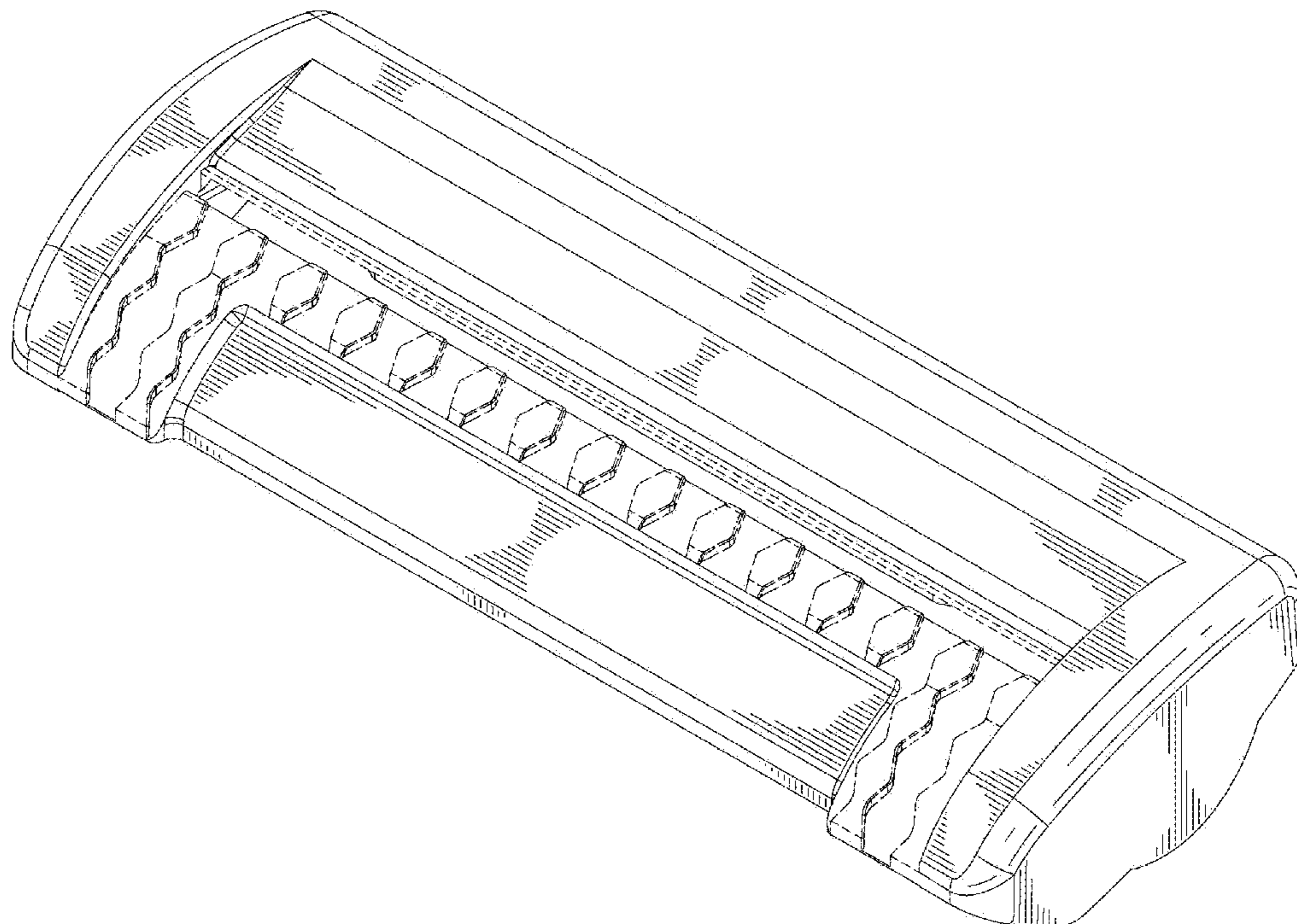
The broken lines are shown for illustrative purposes only and form no part of the claimed design.

(56) **References Cited**

U.S. PATENT DOCUMENTS

1,497,647 A 6/1924 Smith
1,651,917 A 12/1927 Connolly
4,069,580 A 1/1978 Cartwright et al.

1 Claim, 5 Drawing Sheets



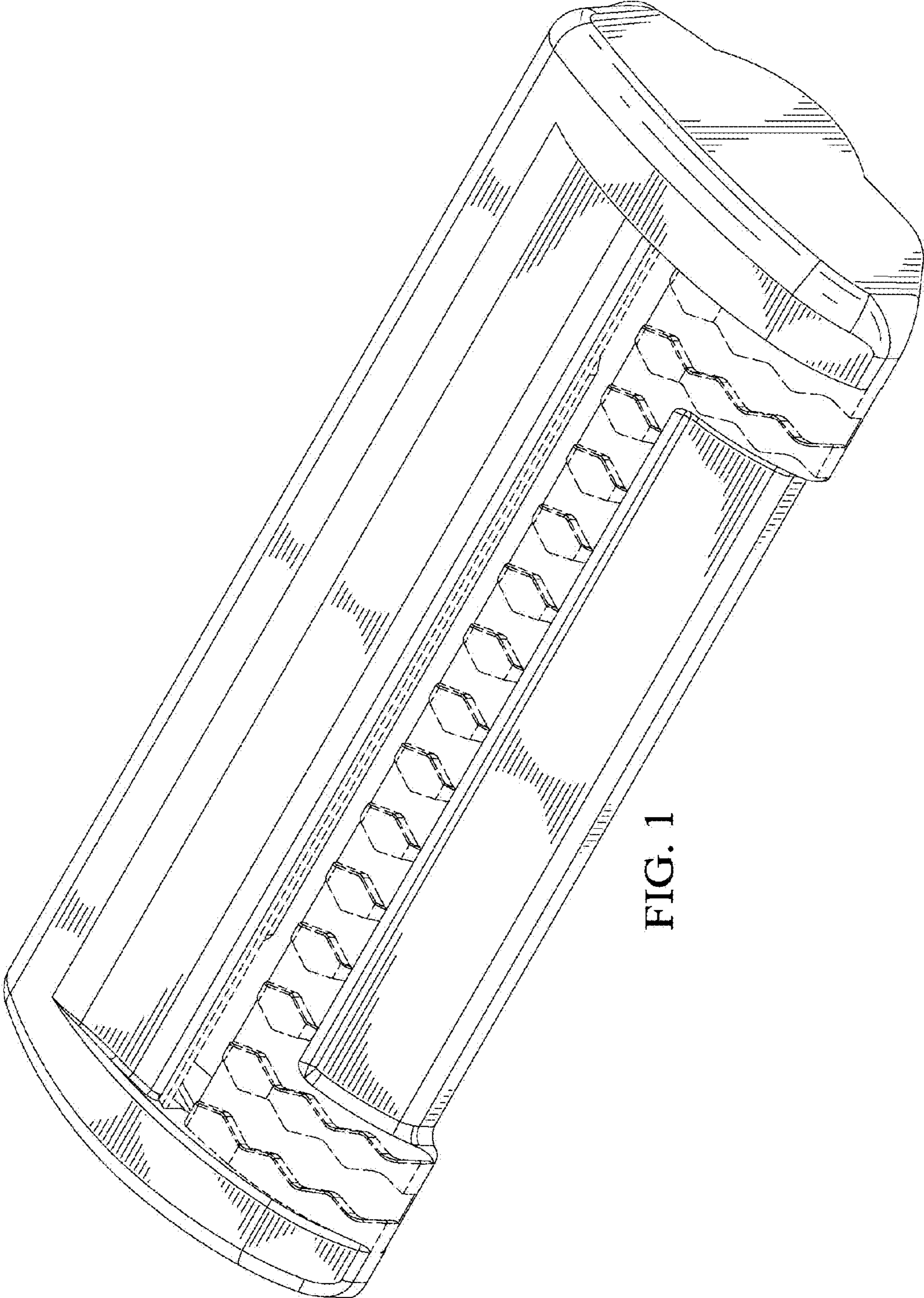


FIG. 1

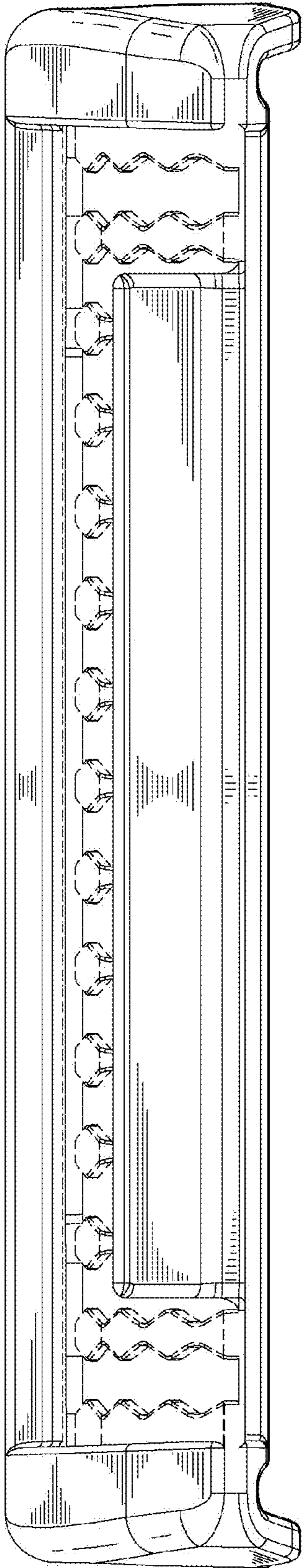


FIG. 2

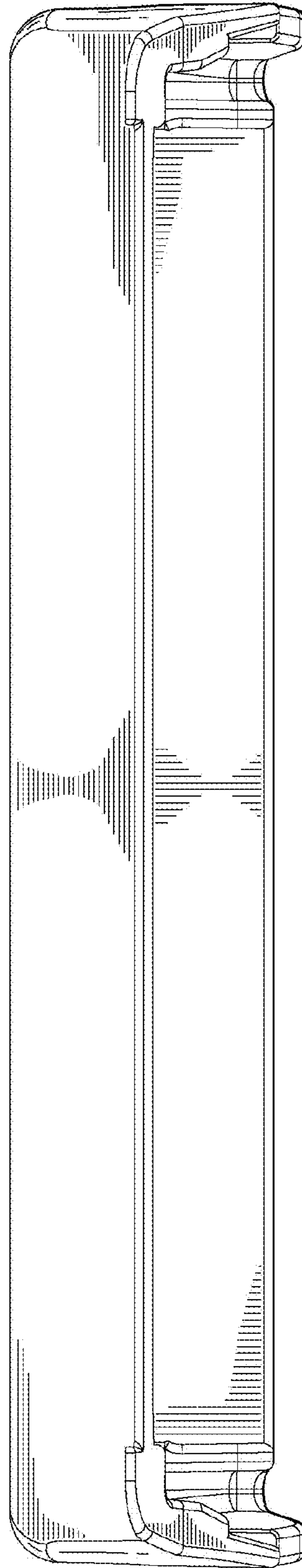


FIG. 3

FIG. 5

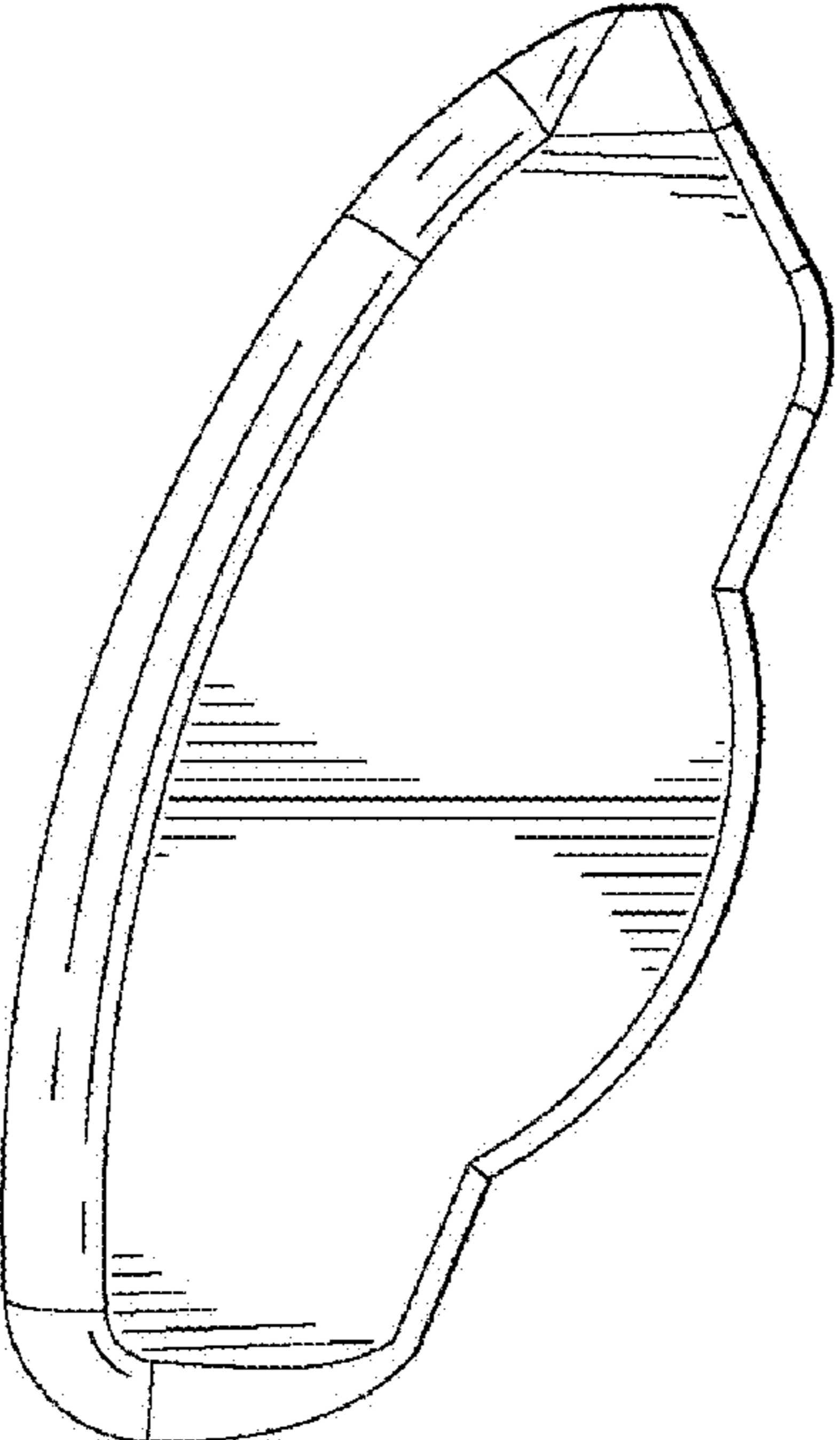


FIG. 4

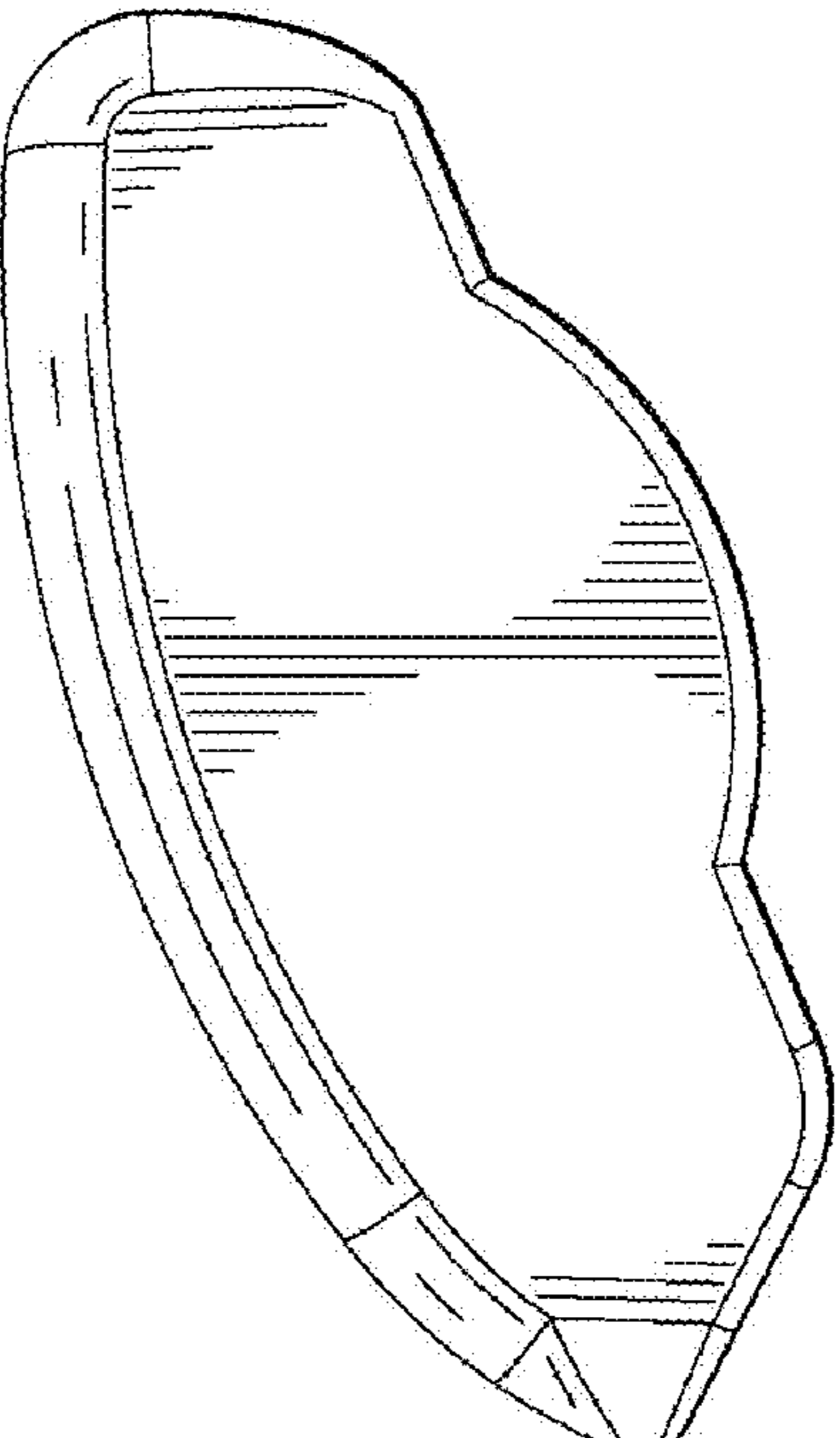


FIG. 6

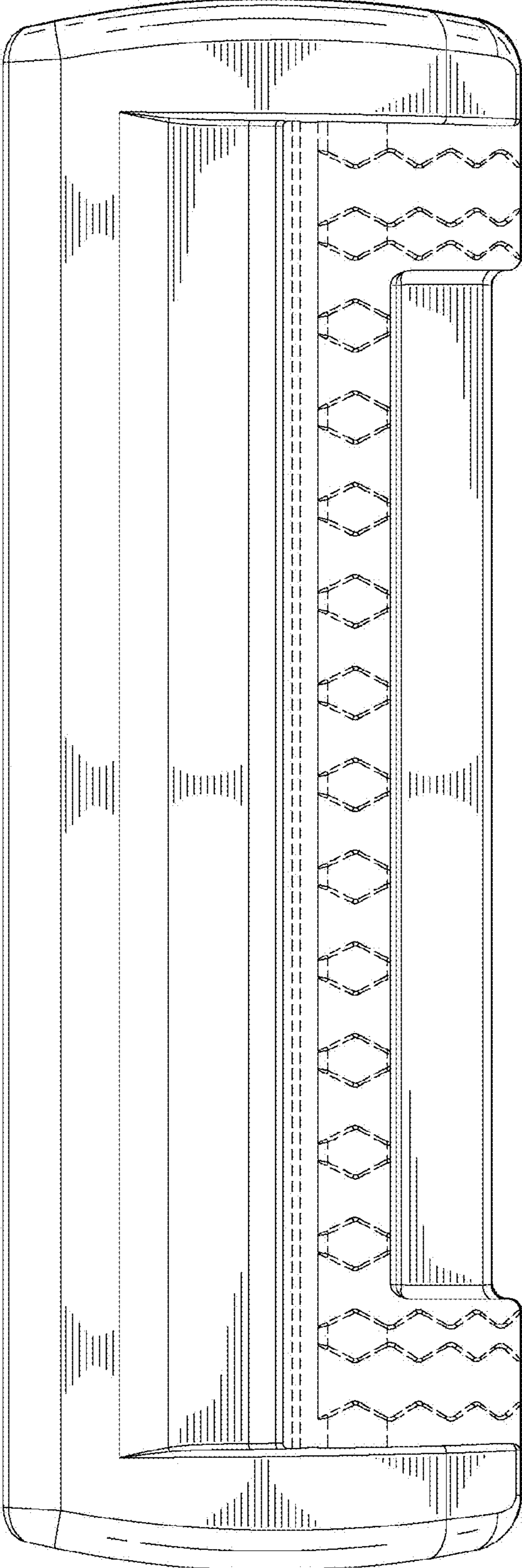


FIG. 7

