



US00D648072S

(12) **United States Design Patent**
Freeman

(10) **Patent No.:** **US D648,072 S**

(45) **Date of Patent:** **** Nov. 1, 2011**

(54) **DIGIT-MOUNTED HAIR STYLING TOOL**

(76) Inventor: **Marvin L. Freeman**, Boynton, OK (US)

(**) Term: **14 Years**

(21) Appl. No.: **29/392,159**

(22) Filed: **May 18, 2011**

(51) **LOC (9) Cl.** **28-03**

(52) **U.S. Cl.** **D28/31; D28/21**

(58) **Field of Classification Search** D28/7,
D28/20-34; 132/53, 112, 126, 150, 208,
132/219.216; D32/49; 15/142, 143.1; D30/158,
D30/159

See application file for complete search history.

5,566,687 A	10/1996	Trapanovski	
5,626,153 A	5/1997	Petrarca	
D389,222 S *	1/1998	Stewart	D22/123
D415,595 S *	10/1999	O'Farrell et al.	D30/159
D425,666 S *	5/2000	Weinberg	D28/25
D448,572 S *	10/2001	Gravlee	D4/116
D596,352 S *	7/2009	Germano-Cataldo	D28/31

* cited by examiner

Primary Examiner — Zenia Bennett

(74) *Attorney, Agent, or Firm* — Montgomery Patent & Design; Robert C. Montgomery; Joseph T Yaksich

(57) **CLAIM**

The ornamental design for a digit-mounted hair styling tool, as shown and described.

(56) **References Cited**

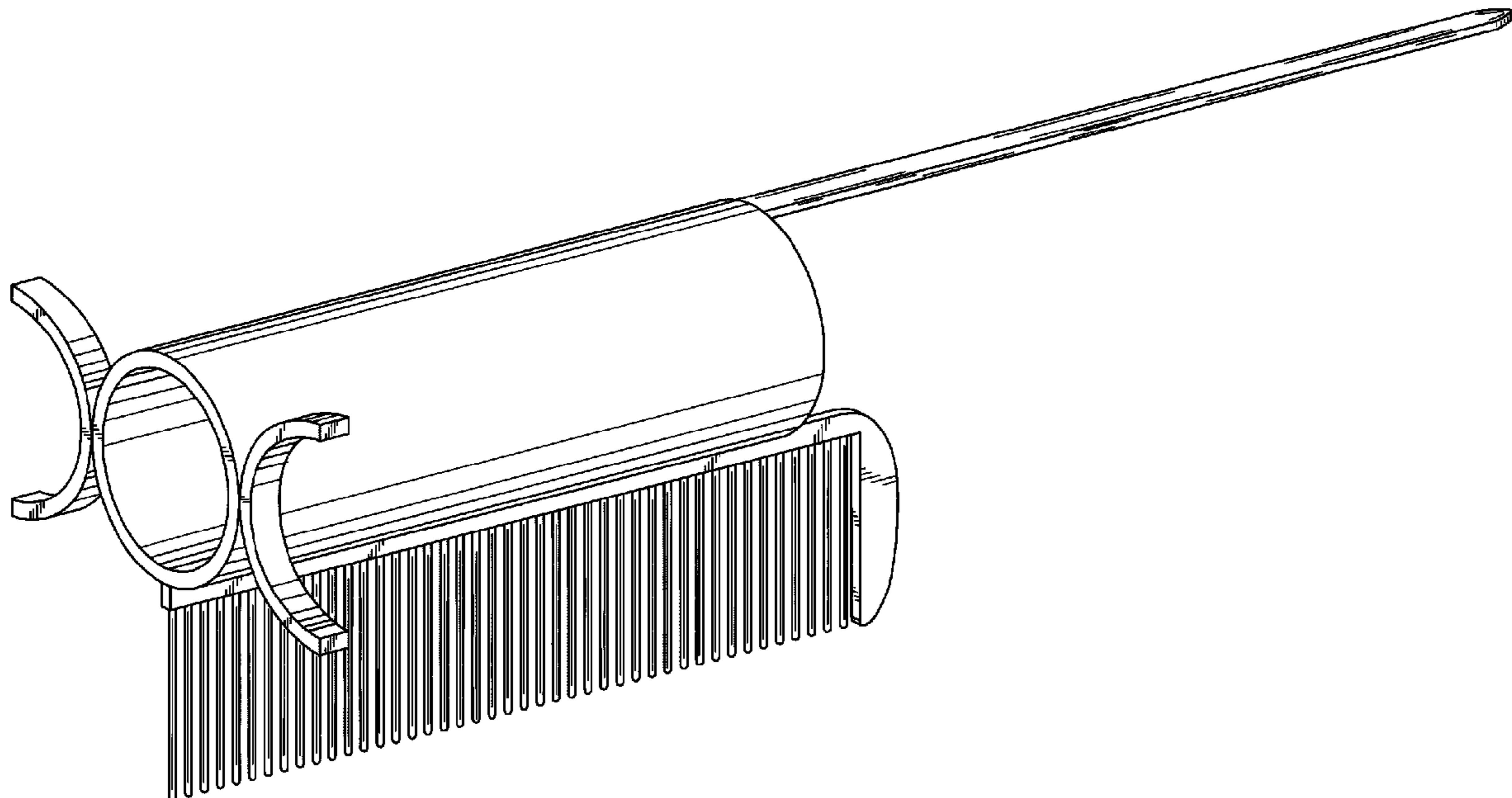
U.S. PATENT DOCUMENTS

1,795,500 A	3/1931	Omundson	
D118,810 S	2/1940	Berry	
2,199,282 A	4/1940	Condron et al.	
2,411,252 A	11/1946	Finman	
2,467,975 A	4/1949	Hollen	
2,568,898 A	9/1951	Phillips et al.	
3,145,718 A	8/1964	Pigo	
D321,766 S *	11/1991	Babcock et al.	D28/25
D327,821 S *	7/1992	Desbiens	D7/669
D370,304 S *	5/1996	Schach	D28/10
5,533,537 A *	7/1996	Mourad	132/148

DESCRIPTION

FIG. 1 is a perspective rear view of a digit-mounted hair styling tool, showing my new design;
FIG. 2 is a rear view thereof;
FIG. 3 is a front view thereof;
FIG. 4 is a left side view thereof with a right side view being a mirror image;
FIG. 5 is a top view thereof; and,
FIG. 6 is a bottom view thereof.

1 Claim, 5 Drawing Sheets



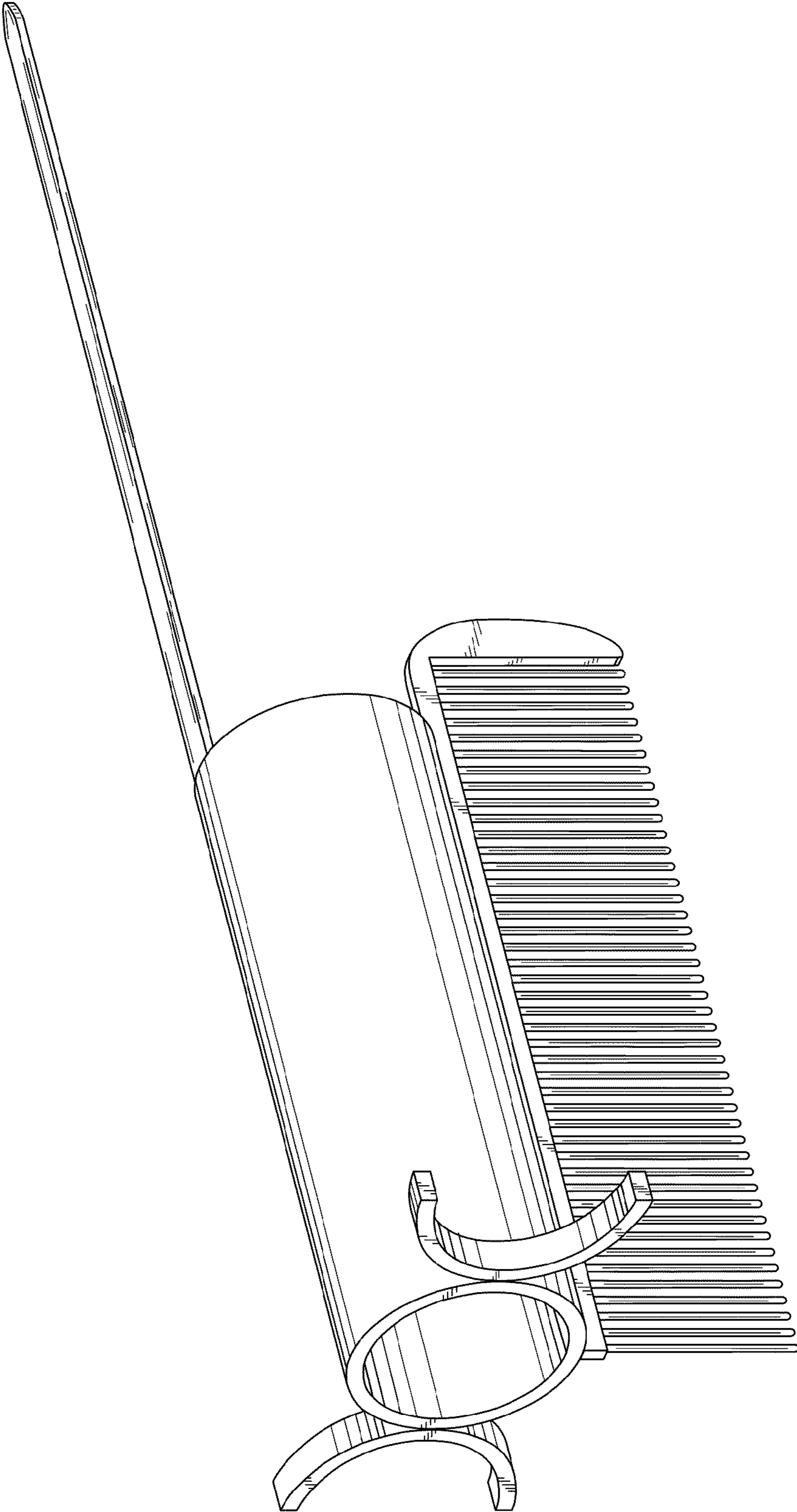


Fig. 1

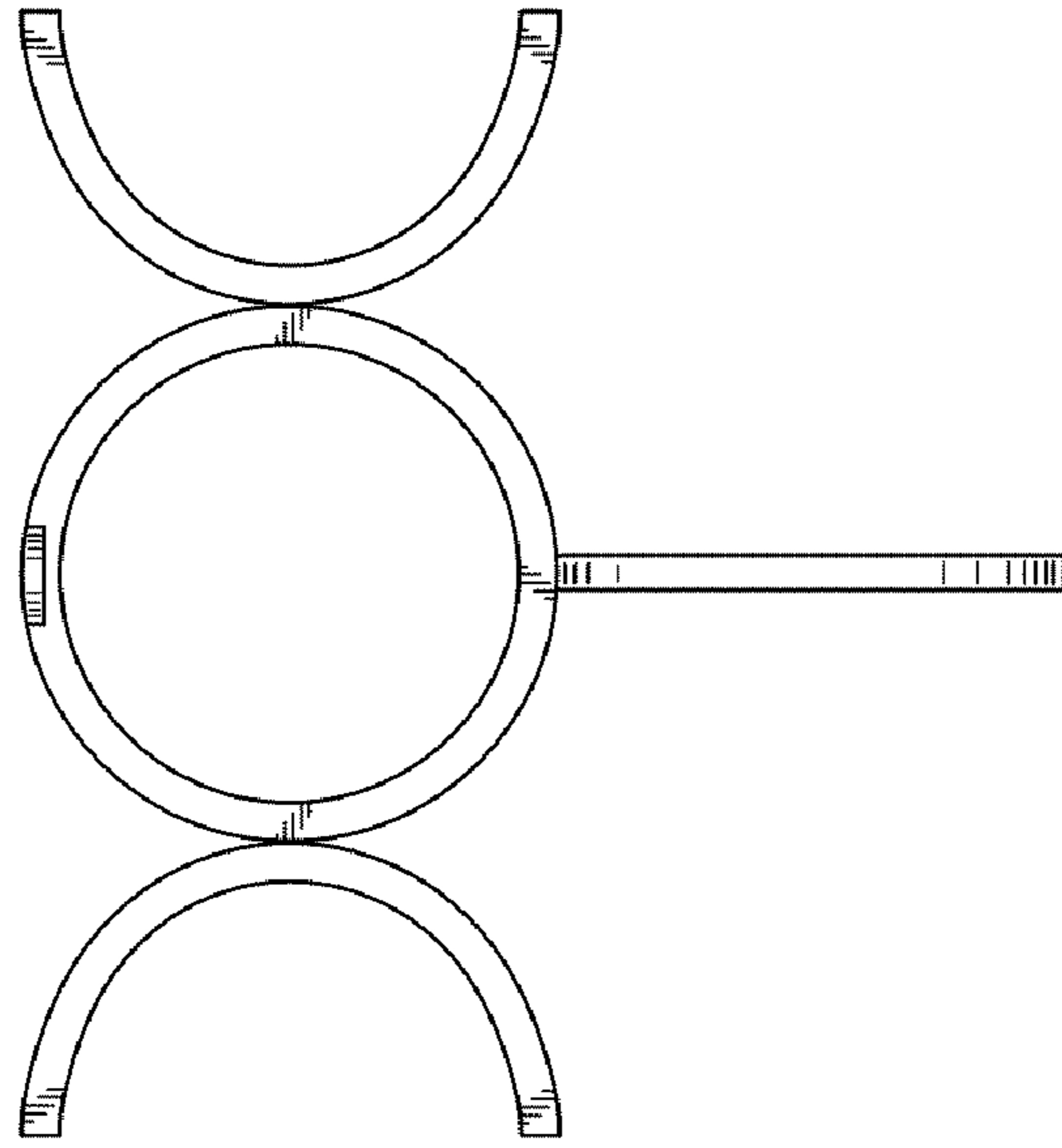


Fig. 3

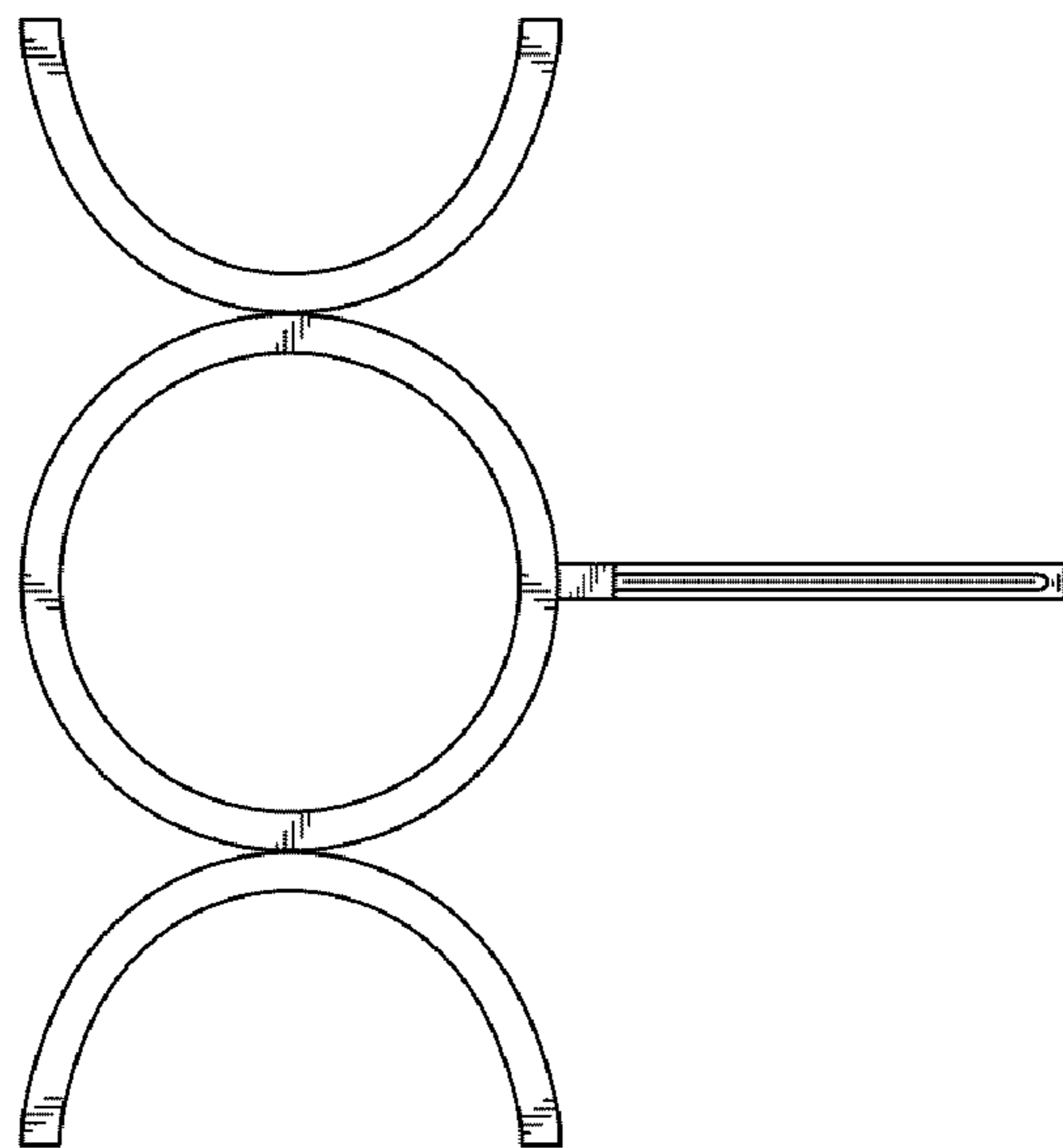


Fig. 2

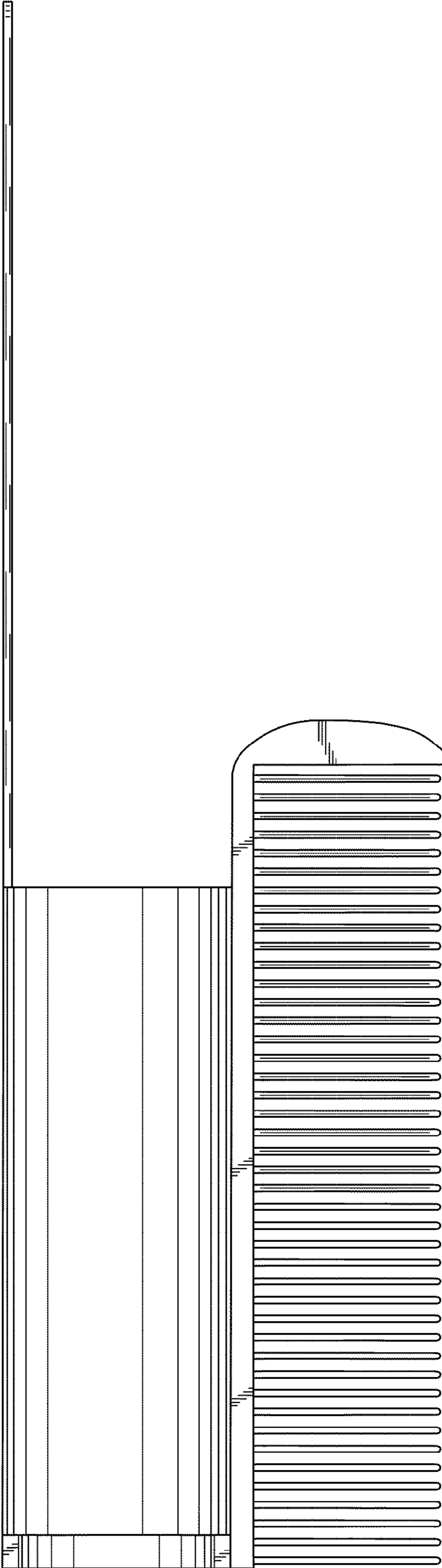


Fig. 4

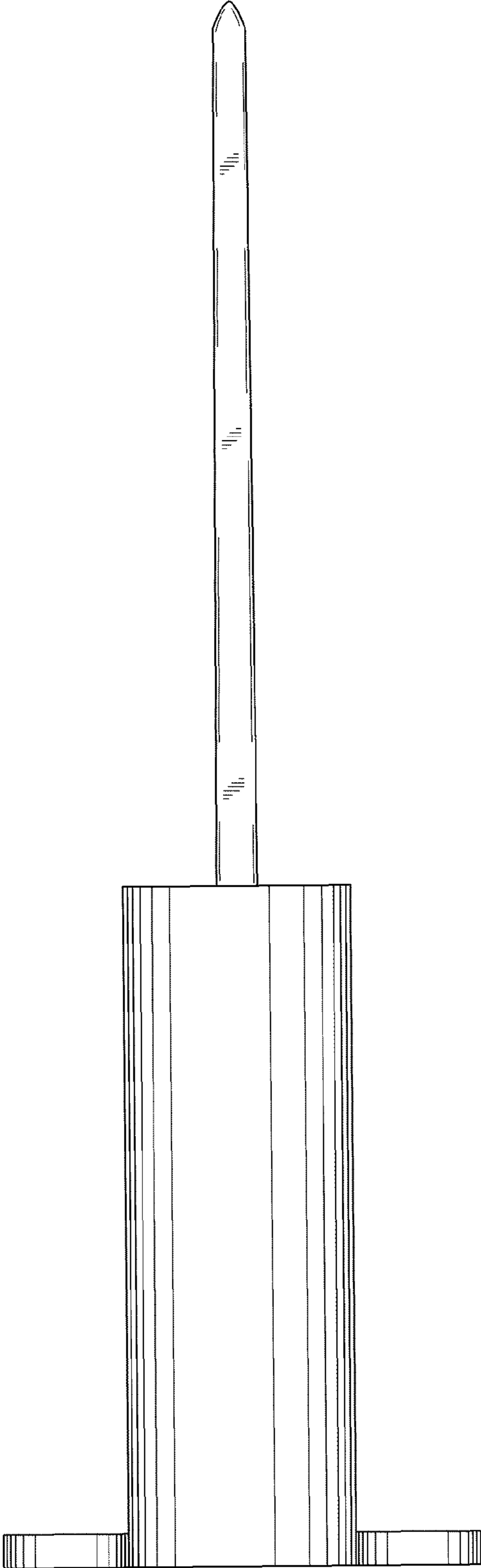


Fig. 5

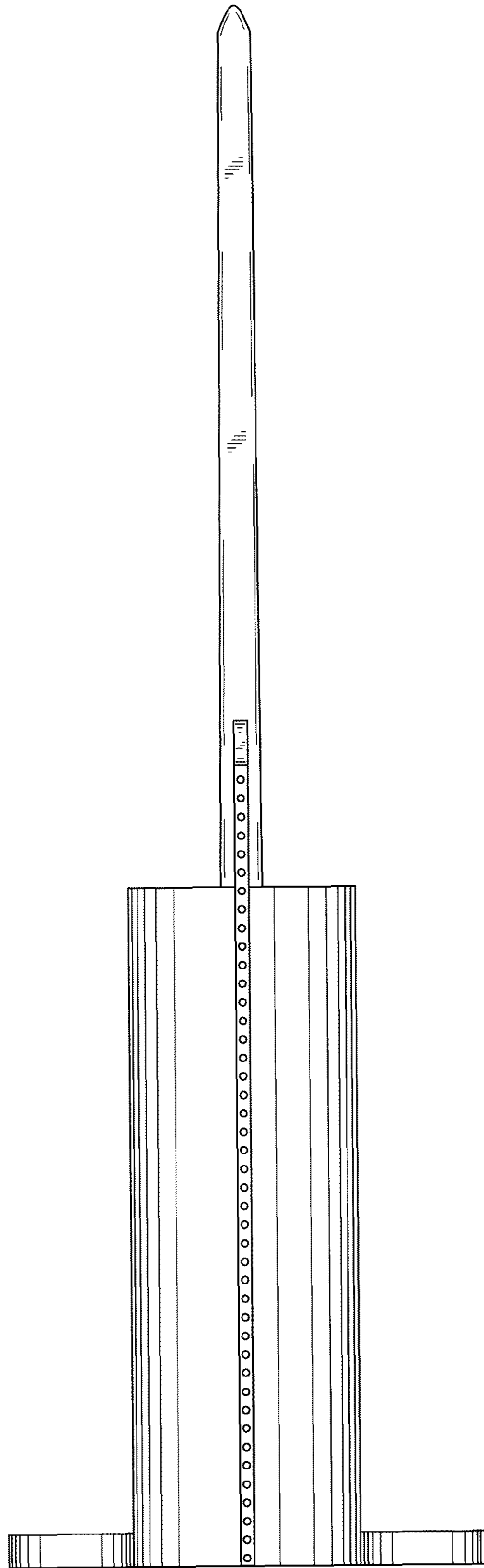


Fig. 6