

US00D648061S

(12) **United States Design Patent**
Yamamoto et al.

(10) **Patent No.:** **US D648,061 S**

(45) **Date of Patent:** **** *Nov. 1, 2011**

- (54) **LIGHT EMITTING DIODE LAMP**
- (75) Inventors: **Junichiro Yamamoto**, Kanagawa (JP);
Asuka Wada, Kanagawa (JP); **Shigeru Osawa**, Kanagawa (JP)
- (73) Assignees: **Toshiba Lighting & Technology Corporation**, Kanagawa (JP);
Kabushiki Kaisha Toshiba, Tokyo (JP)
- (*) Notice: This patent is subject to a terminal disclaimer.
- (**) Term: **14 Years**

D544,618	S	*	6/2007	Coushaine	D26/37
D547,886	S	*	7/2007	Foo	D26/2
D560,829	S	*	1/2008	Mason, II	D26/28
D581,886	S	*	12/2008	Shida et al.	D13/180
D583,967	S	*	12/2008	Leunis	D26/24
D583,984	S	*	12/2008	Takahashi et al.	D26/89
D588,077	S	*	3/2009	Shida et al.	D13/180
D610,101	S	*	2/2010	Spivey	D13/182
D621,971	S	*	8/2010	Yamamoto et al.	D26/2
D621,972	S	*	8/2010	Yamamoto et al.	D26/2
D623,593	S	*	9/2010	Osada et al.	D13/134
7,806,562	B2	*	10/2010	Behr et al.	362/294
D627,493	S	*	11/2010	Yamamoto et al.	D26/2
D628,318	S	*	11/2010	Yamamoto et al.	D26/2
D628,722	S	*	12/2010	Yamamoto et al.	D26/2

(Continued)

- (21) Appl. No.: **29/382,359**
- (22) Filed: **Jan. 3, 2011**

FOREIGN PATENT DOCUMENTS

JP D1247684 8/2005
(Continued)

- (30) **Foreign Application Priority Data**
Jul. 2, 2010 (JP) 2010-016224

Primary Examiner — Kevin Rudzinski
(74) *Attorney, Agent, or Firm* — J.C. Patents

- (51) **LOC (9) Cl.** **26-99**
- (52) **U.S. Cl.** **D26/138**
- (58) **Field of Classification Search** D26/118,
D26/120, 138, 76, 78, 86, 2, 72, 67, 89, 60,
D26/74, 81, 85, 113, 119, 122, 128, 129,
D26/140, 142, 145, 152, 132, 93, 94, 3, 154,
D26/87, 42, 37; D34/29; 315/194, 51; 362/612,
362/307, 294, 545, 555, 146, 145, 396, 362,
362/260; 165/185, 121, 80.3; D12/162;
D8/354, 355, 356, 363, 373, 349, 376; 16/340;
D13/179, 180, 134; D25/163, 157, 158
See application file for complete search history.

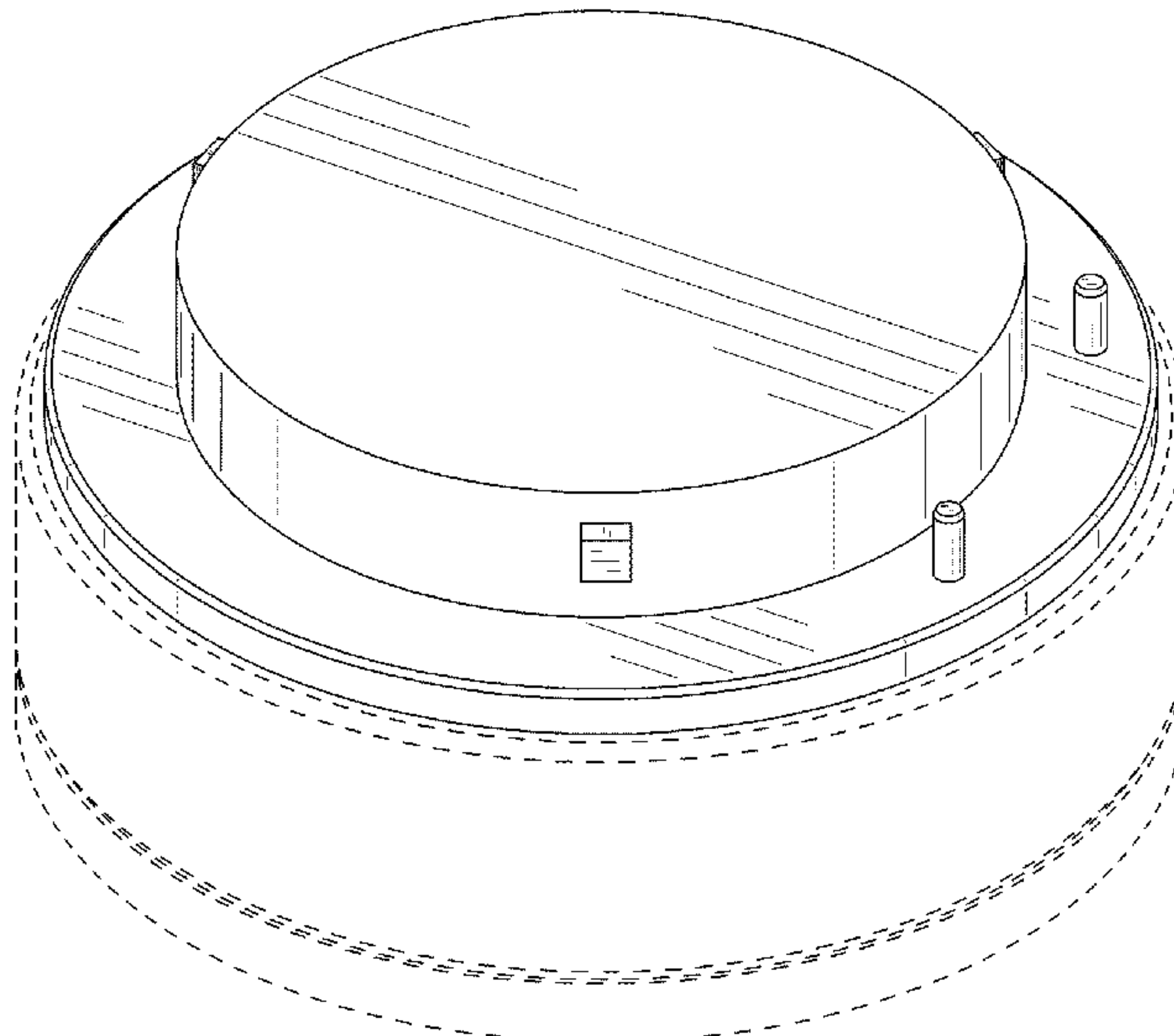
(57) **CLAIM**
The ornamental design for a light emitting diode lamp, as shown and described.

DESCRIPTION

FIG. 1 is a perspective view of a light emitting diode lamp showing our new design;
FIG. 2 is a front view thereof;
FIG. 3 is a rear view thereof;
FIG. 4 is a right side view thereof;
FIG. 5 is a left side view thereof;
FIG. 6 is a top view thereof;
FIG. 7 is a bottom view thereof; and,
FIG. 8 is another perspective view thereof.
The broken line illustration of a complete light emitting diode lamp illustrates unclaimed environment structure and forms no part of the claimed design.

- (56) **References Cited**
U.S. PATENT DOCUMENTS
3,836,766 A * 9/1974 Auerbach 362/311.14
5,249,082 A * 9/1993 Newman 359/813
6,641,283 B1 * 11/2003 Bohler 362/238
D511,349 S * 11/2005 Rashidi D16/134

1 Claim, 6 Drawing Sheets



US D648,061 S

Page 2

U.S. PATENT DOCUMENTS

D631,573	S *	1/2011	Yamamoto et al.	D26/2
7,922,364	B2 *	4/2011	Tessnow et al.	362/294
2007/0070645	A1 *	3/2007	Coushaine et al.	362/555
2009/0034283	A1 *	2/2009	Albright et al.	362/545
2010/0177470	A1 *	7/2010	Spivey	361/679.02

FOREIGN PATENT DOCUMENTS

JP	D1372210	11/2009
JP	D1395070	8/2010

* cited by examiner

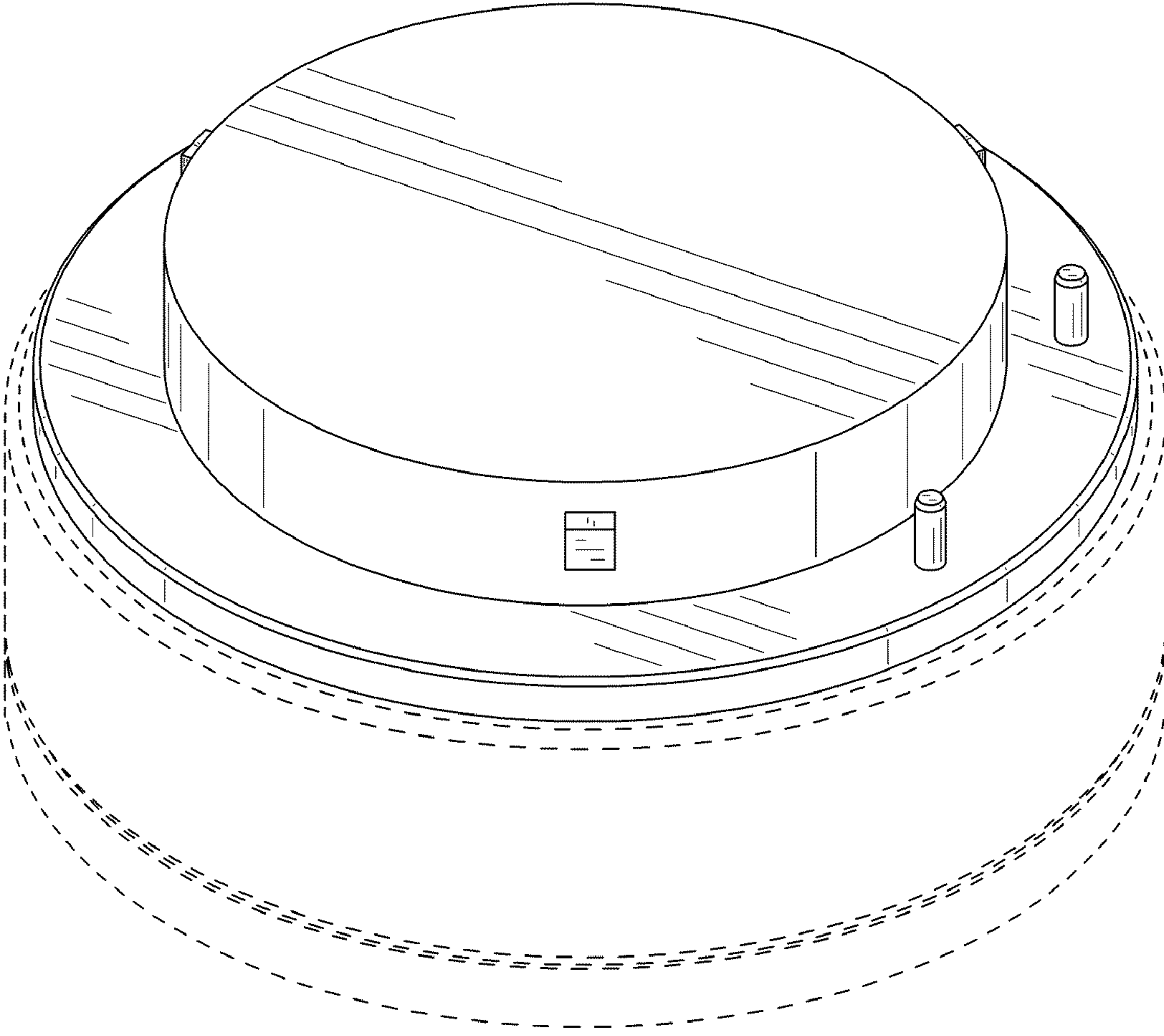


FIG. 1

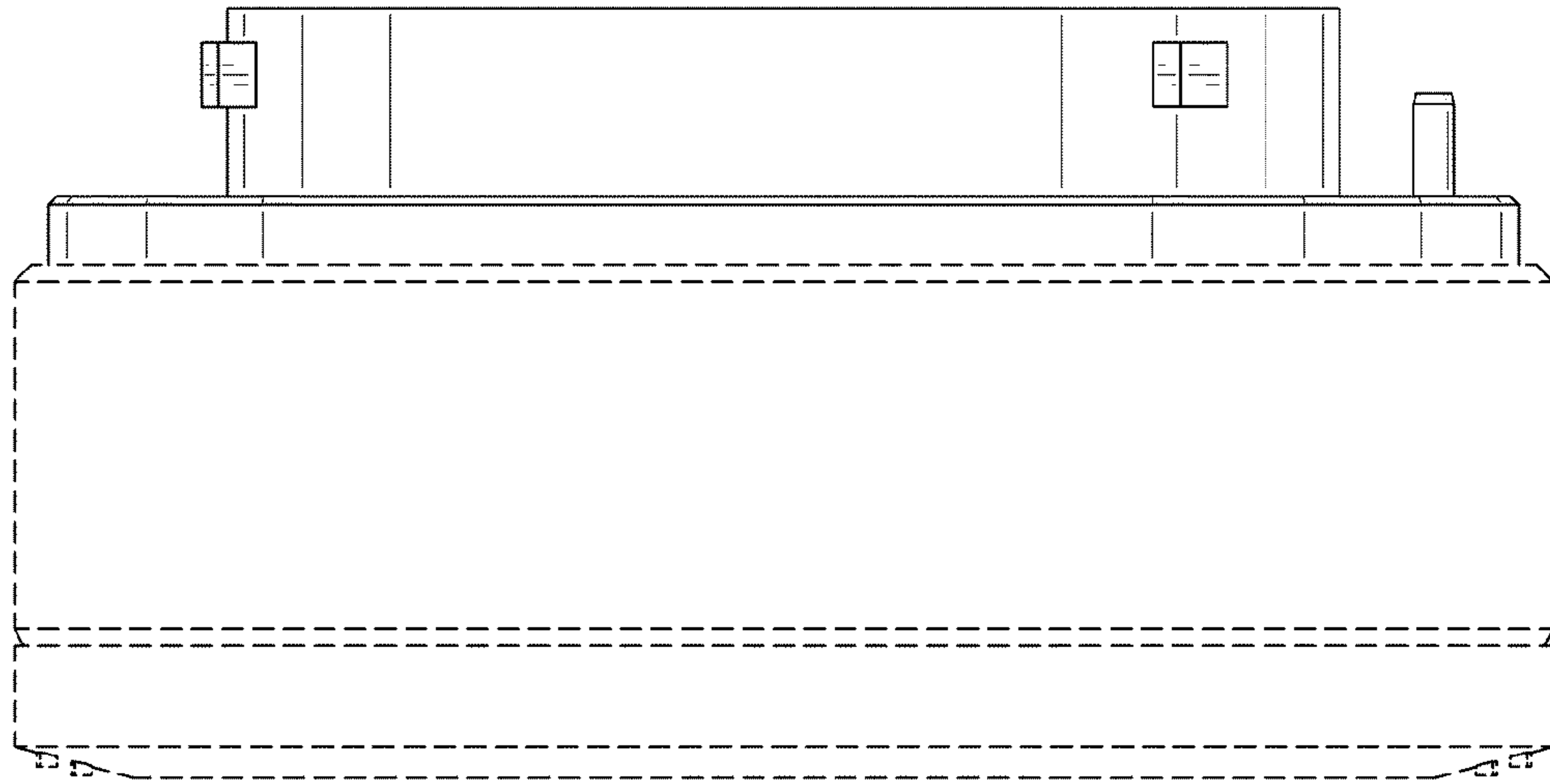


FIG. 2

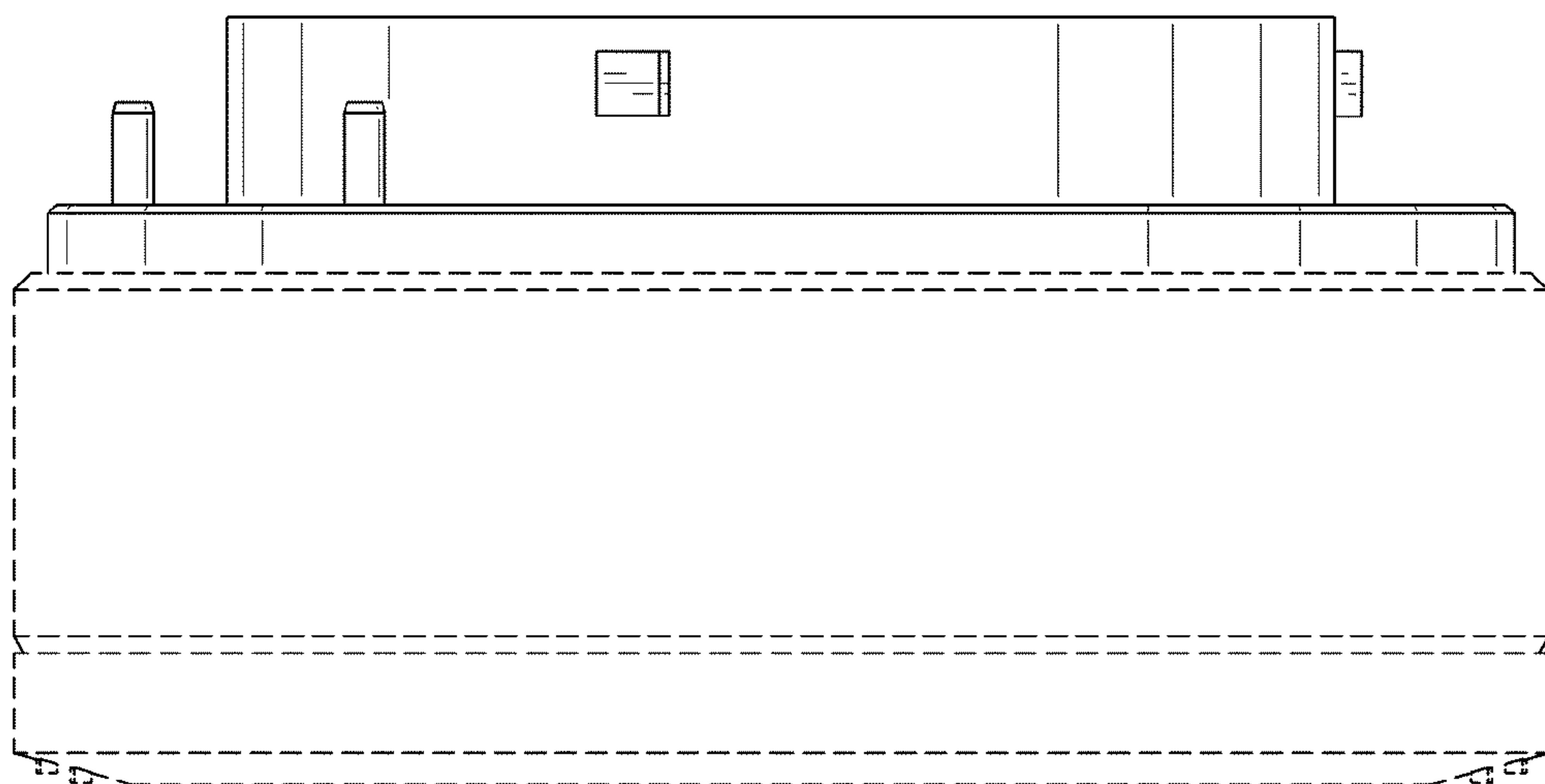


FIG. 3

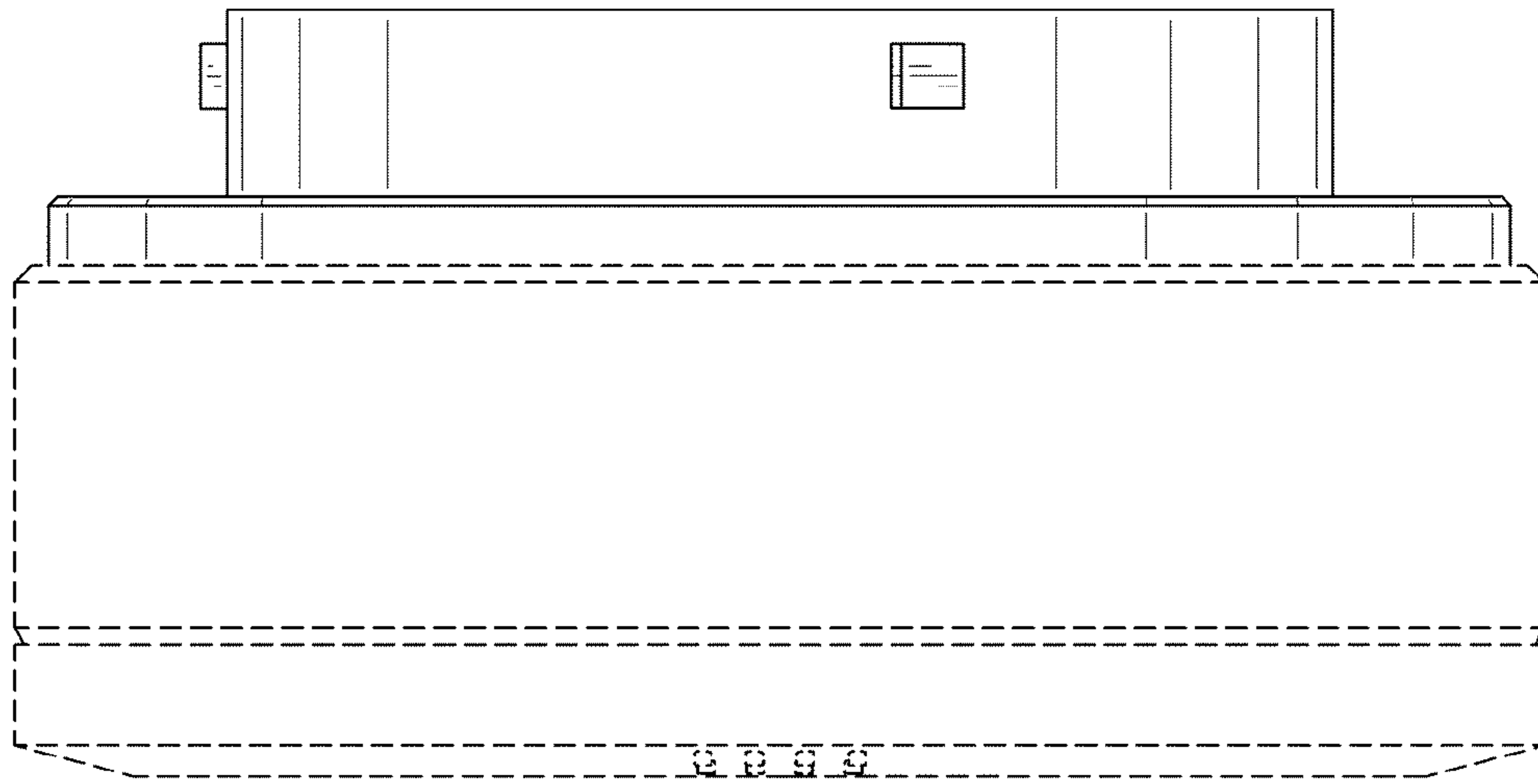


FIG. 4

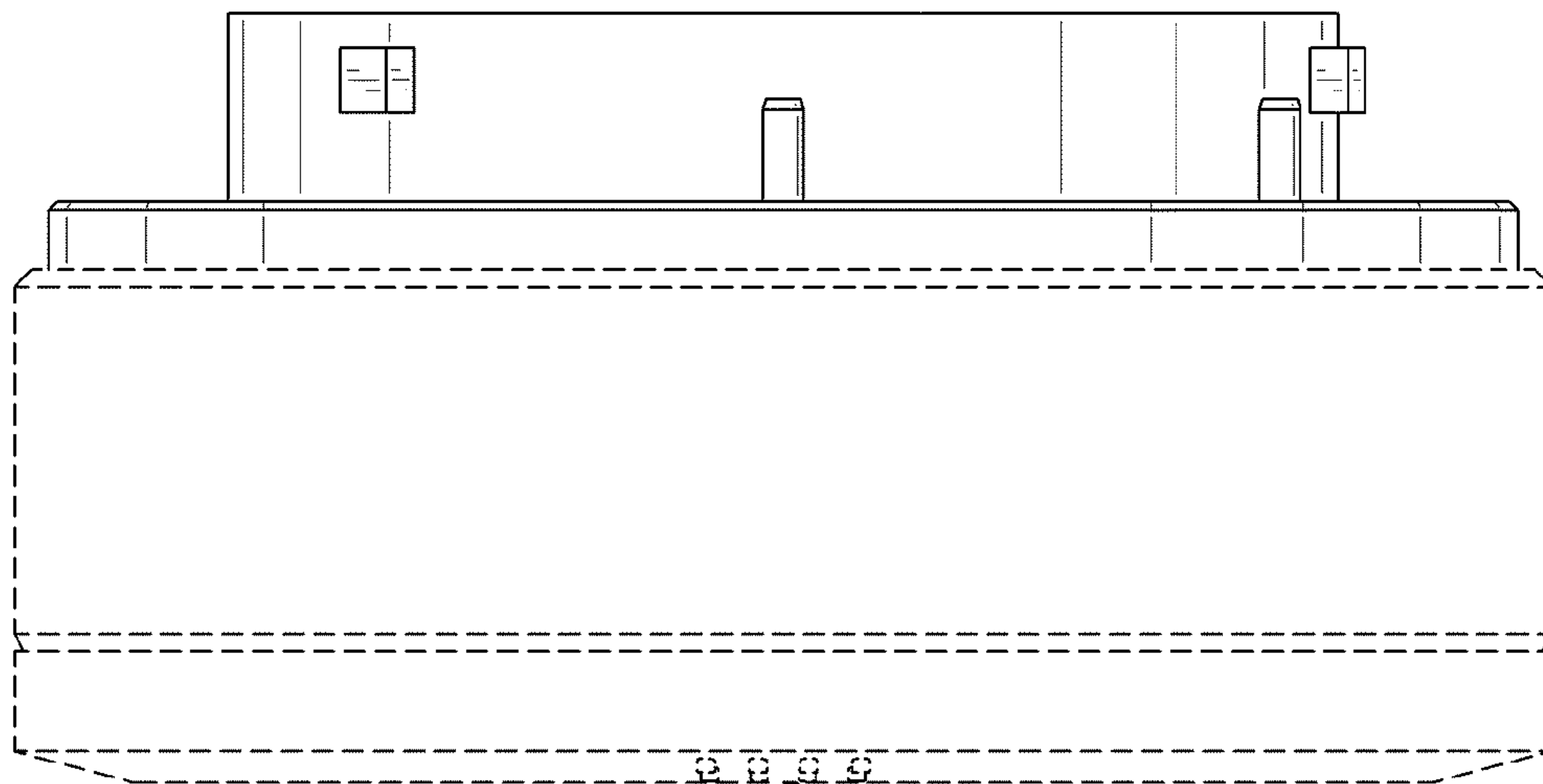


FIG. 5

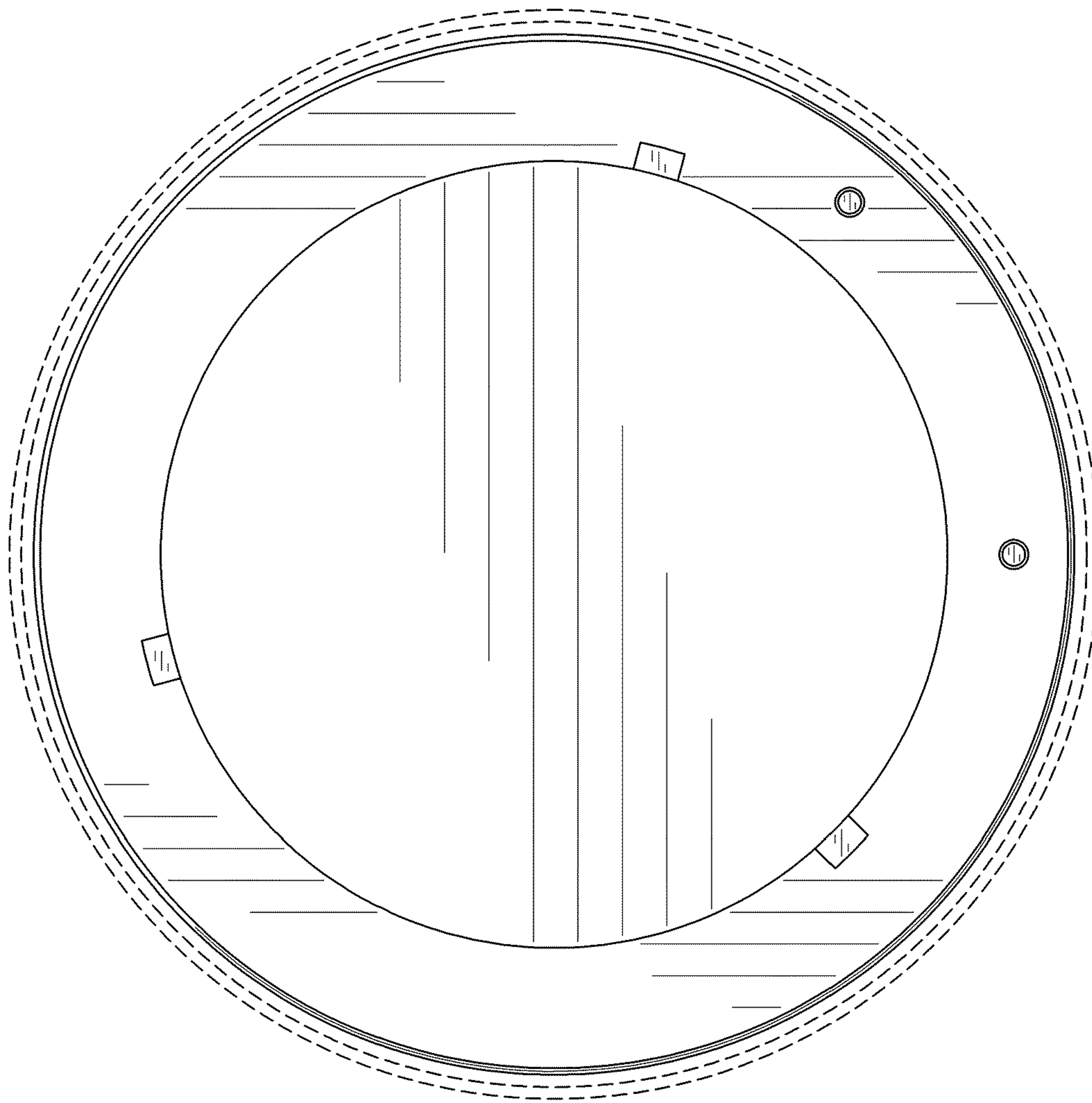


FIG. 6

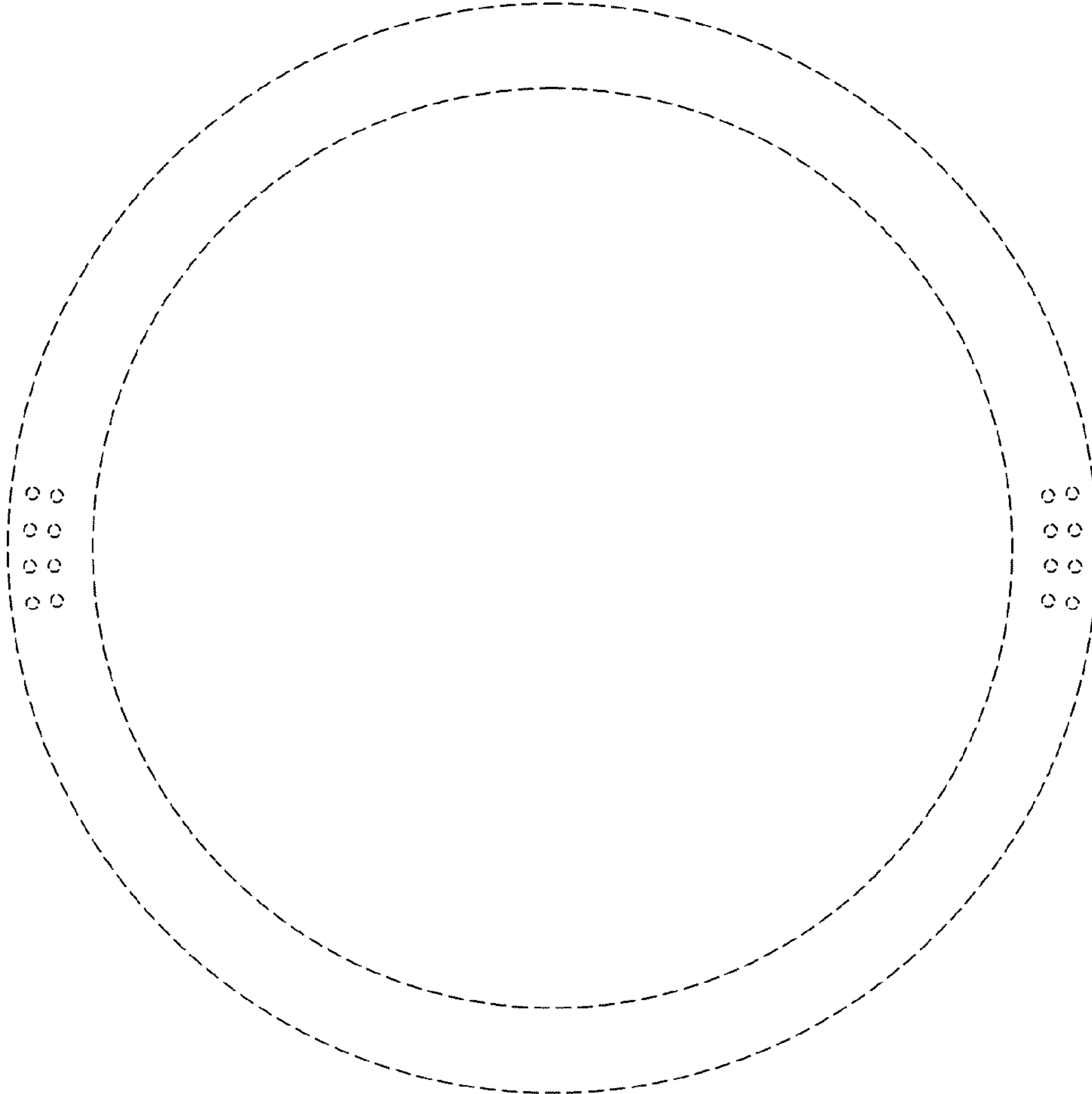


FIG. 7

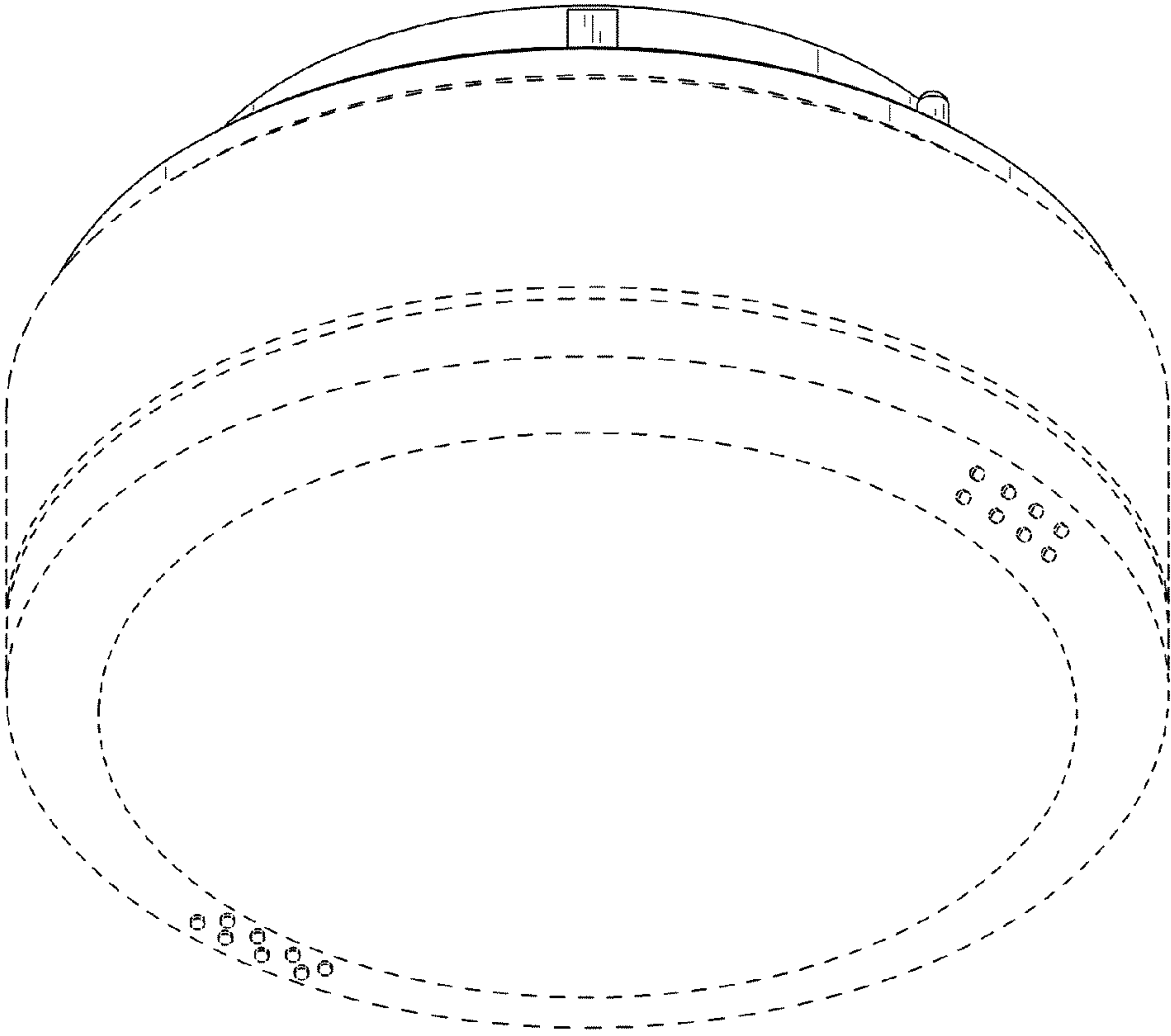


FIG. 8