



US00D648060S

(12) **United States Design Patent**
Yamamoto et al.

(10) **Patent No.:** **US D648,060 S**

(45) **Date of Patent:** **** Nov. 1, 2011**

(54) **LIGHTING FIXTURE**

(75) Inventors: **Junichiro Yamamoto**, Kanagawa (JP);
Kazufumi Yoshida, Kanagawa (JP);
Naoki Sugishita, Kanagawa (JP);
Yasuhiro Sano, Kanagawa (JP); **Koji**
Yanagida, Kanagawa (JP); **Kenichi**
Suzuki, Kanagawa (JP)

(73) Assignees: **Toshiba Lighting & Technology**
Corporation, Kanagawa (JP);
Kabushiki Kaisha Toshiba, Tokyo (JP)

(**) Term: **14 Years**

(21) Appl. No.: **29/386,112**

(22) Filed: **Feb. 24, 2011**

(30) **Foreign Application Priority Data**

Sep. 29, 2010 (JP) 2010-023280

(51) **LOC (9) Cl.** **26-99**

(52) **U.S. Cl.** **D26/120**

(58) **Field of Classification Search** D26/118,
D26/120, 138, 76, 78, 86, 2, 72, 67, 89, 60,
D26/74, 81, 85, 113, 119, 122, 128, 129,
D26/140, 142, 145, 152, 132, 93, 94, 3, 154,
D26/87, 42, 37; D34/29; 315/194, 51; 362/612,
362/307, 294, 545, 555, 146, 145, 396, 362,
362/260; 165/185, 121, 80.3; D12/162;
D8/354, 355, 356, 363, 373, 349, 376; 16/340;
D13/179, 180, 134; D25/163, 157, 158
See application file for complete search history.

(56) **References Cited**

U.S. PATENT DOCUMENTS

D127,173 S * 5/1941 Levy D26/76
D165,259 S * 11/1951 Baker D26/74
D304,860 S * 11/1989 O'Dohanue et al. D26/67
D365,159 S * 12/1995 Tinen D25/138
D437,077 S * 1/2001 Minissi et al. D26/85

D441,117 S * 4/2001 Grimm D26/76
D462,462 S * 9/2002 Ogawa D25/163
D539,944 S * 4/2007 Egawa et al. D26/24
D550,868 S * 9/2007 Egawa et al. D26/24
D556,075 S * 11/2007 Teiber et al. D10/118
D577,454 S * 9/2008 Maxik et al. D26/63
D591,893 S * 5/2009 Waldmann D26/74
D592,348 S * 5/2009 Trott et al. D26/74
D611,188 S * 3/2010 Boyer et al. D26/138
D614,338 S * 4/2010 Sieczkowski et al. D26/74
D628,335 S * 11/2010 Hyland D26/74

FOREIGN PATENT DOCUMENTS

JP D1210121 6/2004

* cited by examiner

Primary Examiner — Kevin Rudzinski

(74) *Attorney, Agent, or Firm* — J.C. Patents

(57) **CLAIM**

The ornamental design for a lighting fixture, as shown and described.

DESCRIPTION

FIG. 1 is a perspective view of a lighting fixture showing our new design;

FIG. 2 is a front view thereof, the rear view being a mirror image of the front view;

FIG. 3 is a left side view thereof;

FIG. 4 is a right side view thereof;

FIG. 5 is a top view thereof;

FIG. 6 is a bottom view thereof; and,

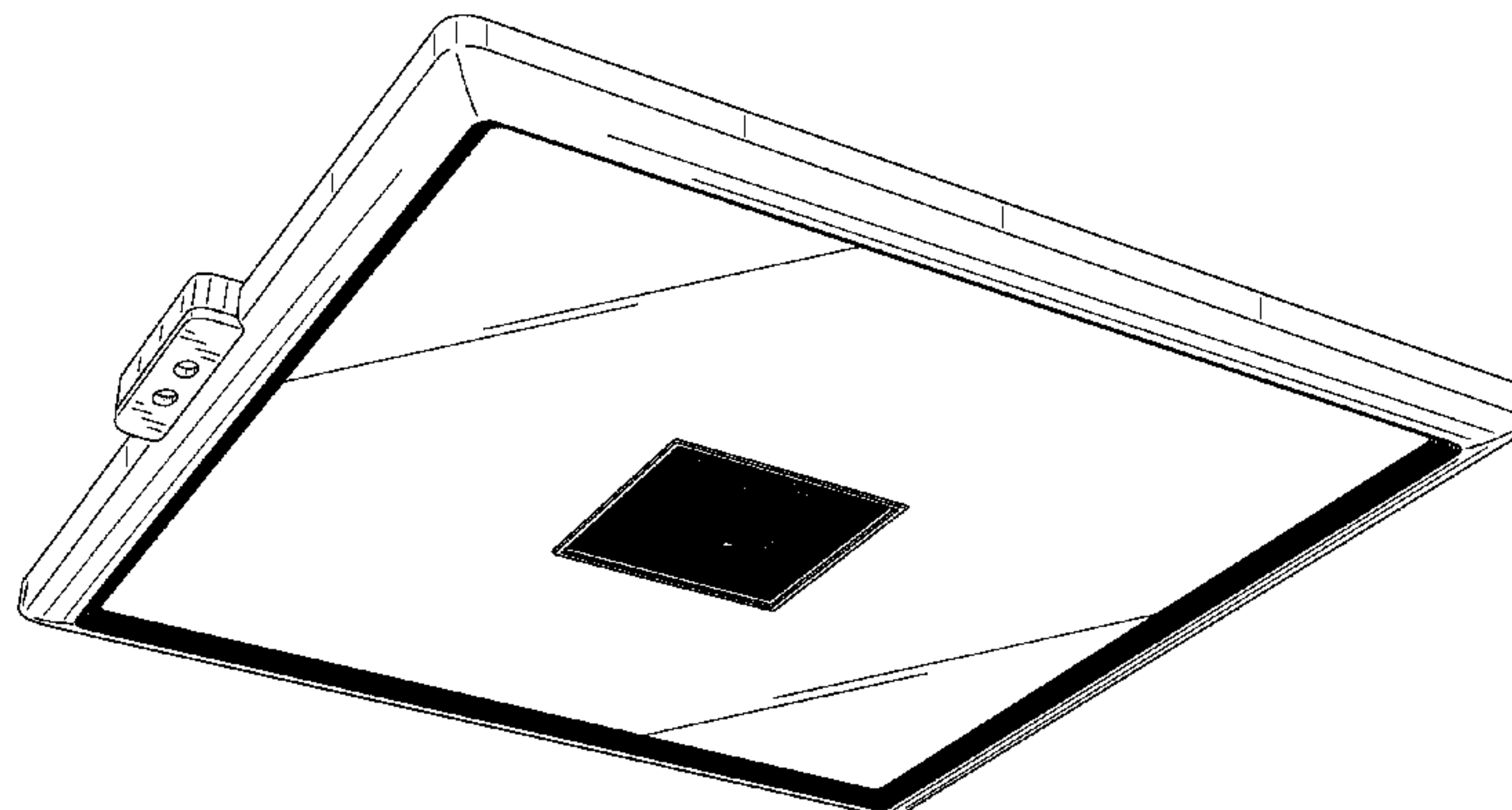
FIG. 7 is an enlarged cross-sectional view taken along line 7-7 in FIG. 3;

FIG. 8 is an enlarged view of an indicated portion in FIG. 7; and,

FIG. 9 is an enlarged view of another indicated portion in FIG. 7.

The portions shown in double cross-hatched lines in FIG. 7 are transparent. The broken lines shown in the drawing disclosure illustrate unclaimed portions of the lighting fixture and form no part of the claimed design.

1 Claim, 6 Drawing Sheets



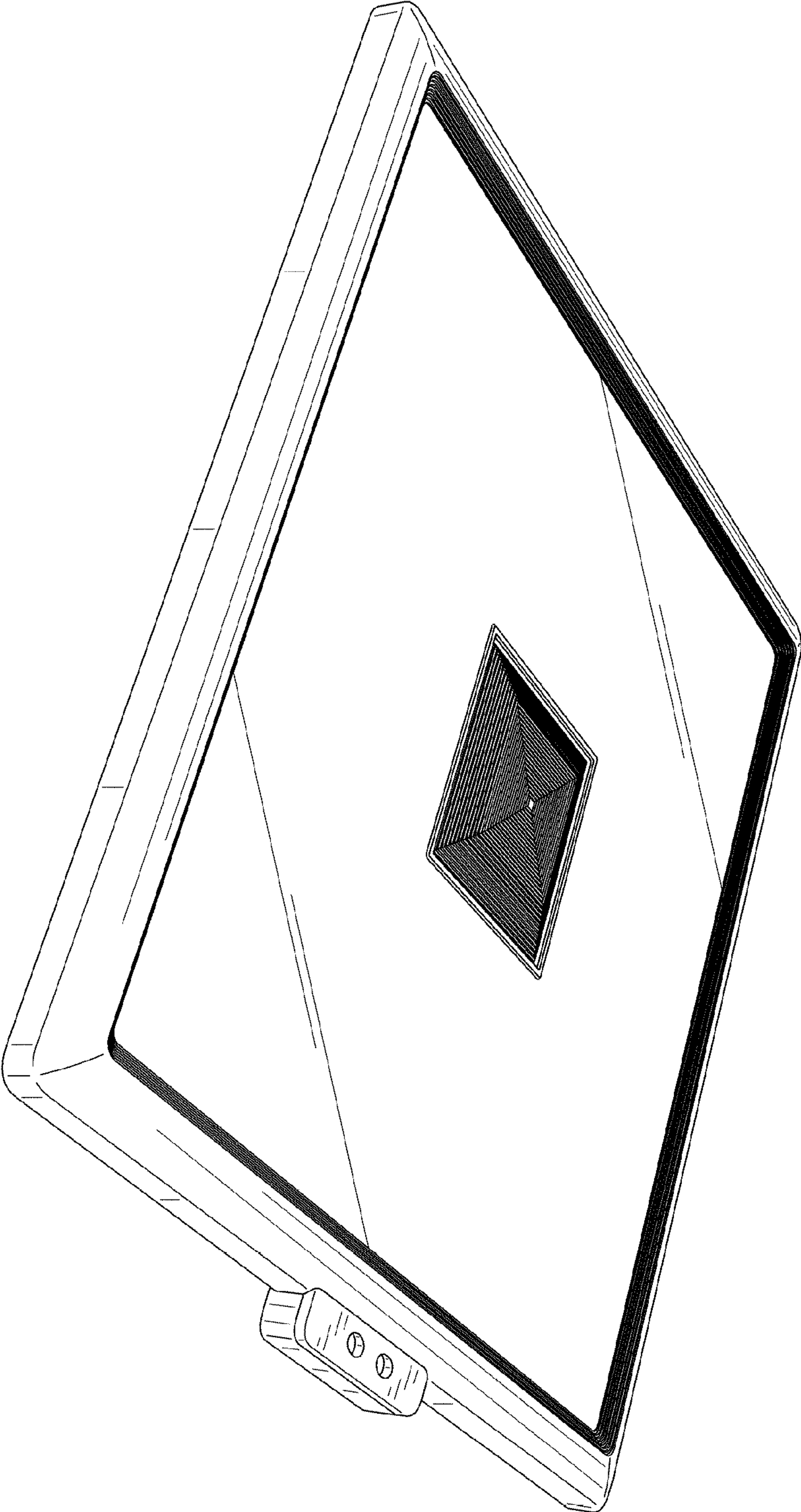


FIG. 1

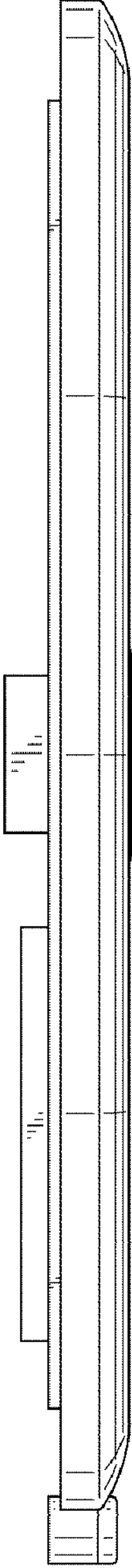


FIG. 2

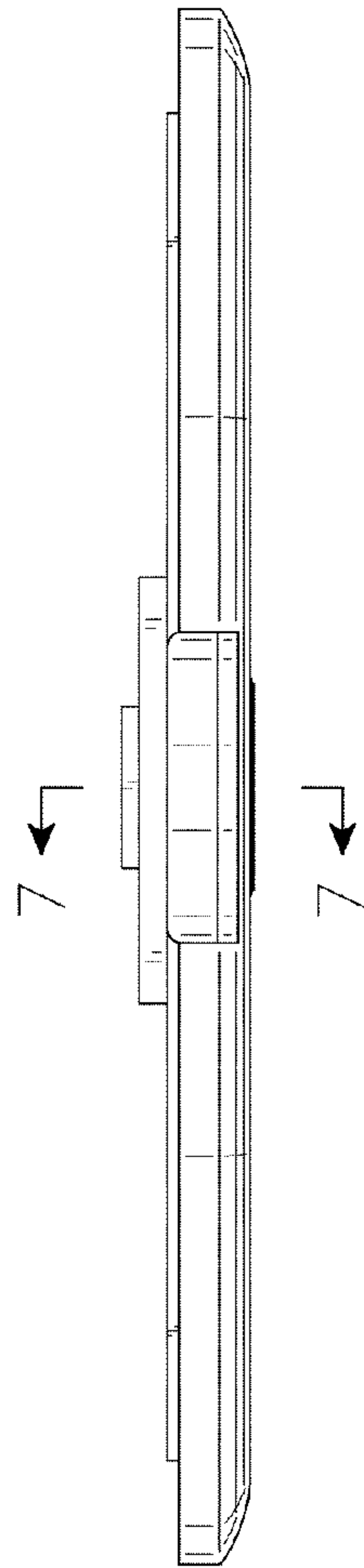


FIG. 3



FIG. 4

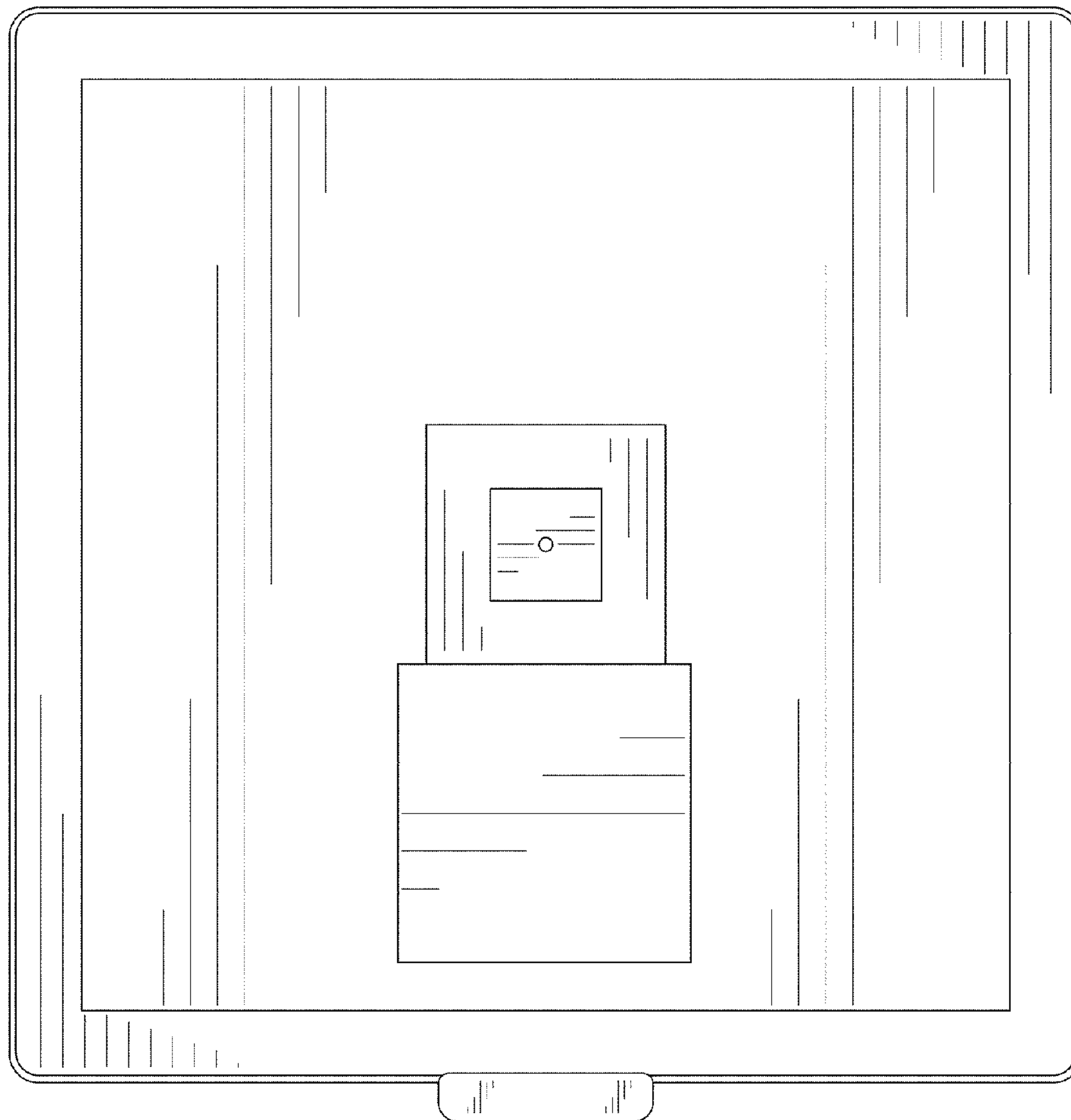


FIG. 5

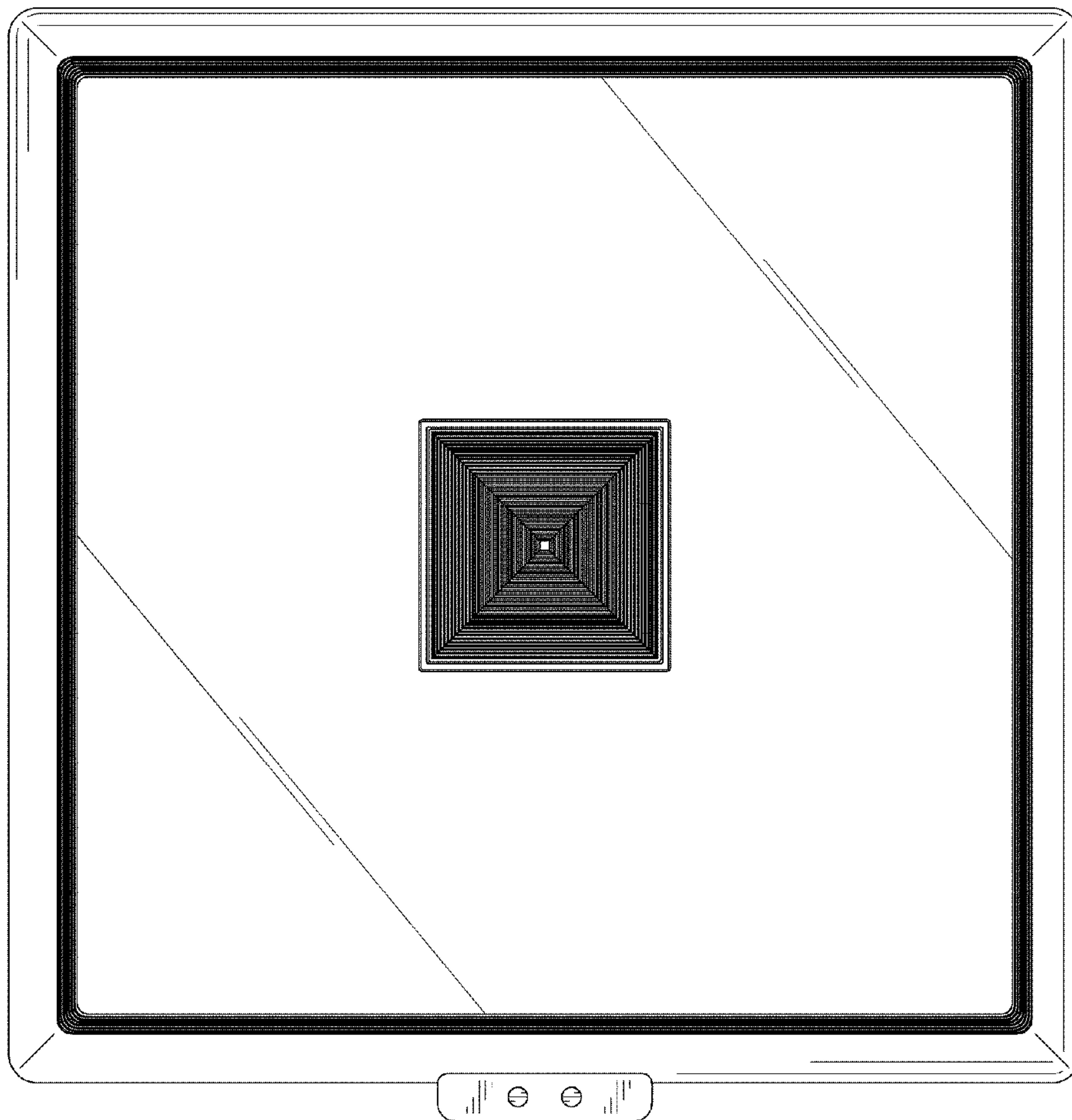


FIG. 6

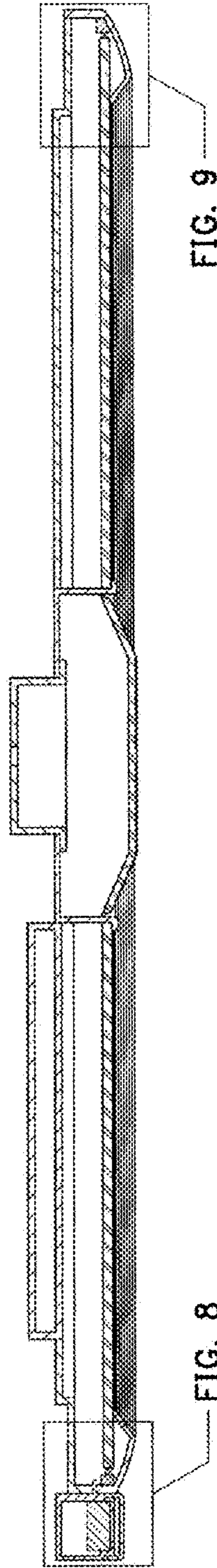


FIG. 7

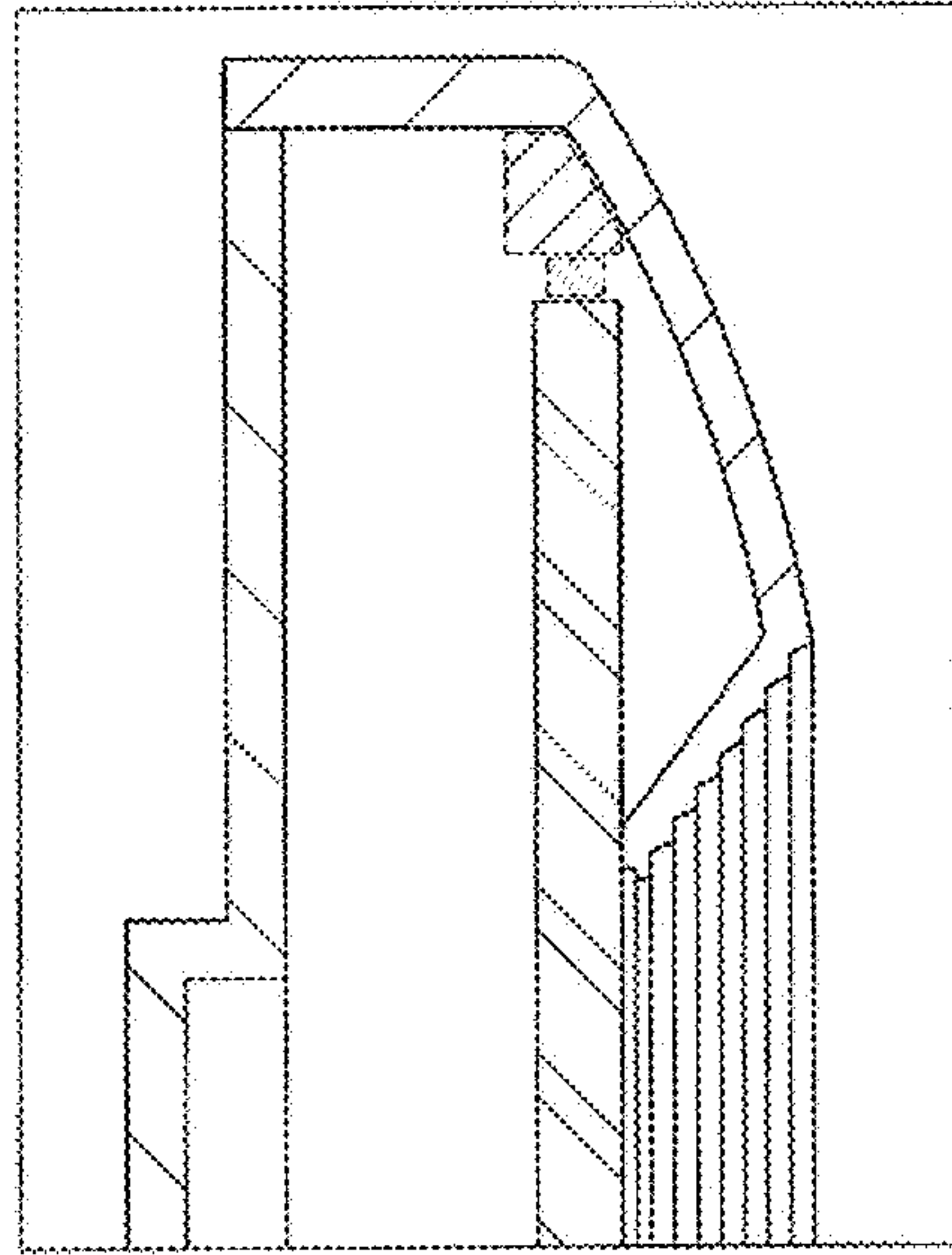


FIG. 9

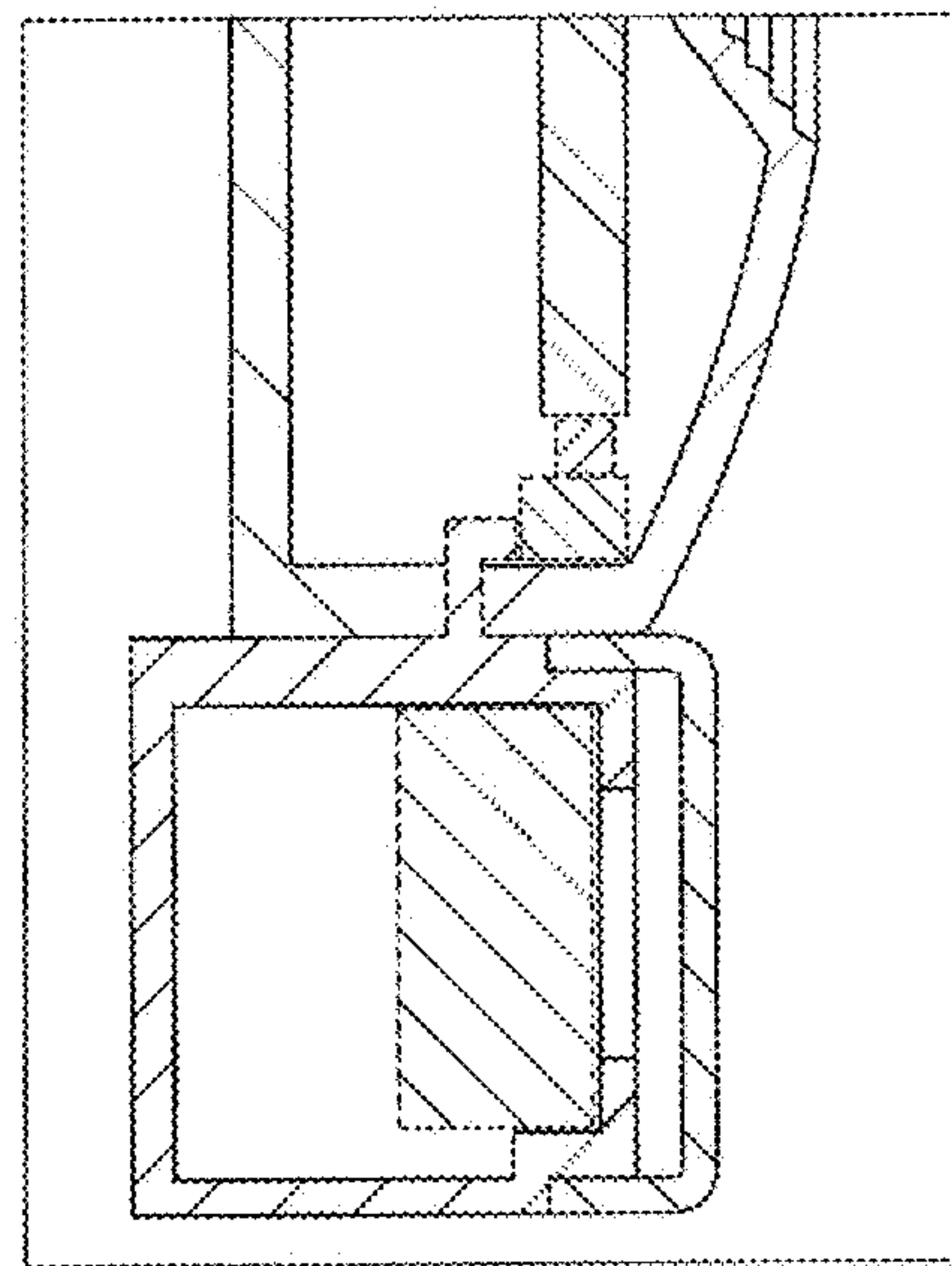


FIG. 8