



US00D648056S

(12) **United States Design Patent**
Muehlhaeusler et al.

(10) **Patent No.:** **US D648,056 S**
(45) **Date of Patent:** **** Nov. 1, 2011**

(54) **LANDSCAPE BULLET**
(75) Inventors: **David John Muehlhaeusler**, Dallas, TX (US); **Douglas Allen Schoggin**, Dallas, TX (US)
(73) Assignee: **D.A. Schoggin, Inc.**, Dallas, TX (US)
(**) Term: **14 Years**
(21) Appl. No.: **29/385,957**
(22) Filed: **Feb. 23, 2011**
(51) **LOC (9) Cl.** **26-05**
(52) **U.S. Cl.** **D26/63**
(58) **Field of Classification Search** D26/60–66,
D26/72, 81, 83, 84–88, 106–109, 92, 82;
362/145, 147, 277–282, 285–289, 269, 271,
362/273, 404, 413, 414, 418, 800, 430, 432,
362/427, 449
See application file for complete search history.

D586,498 S 2/2009 Wu
D586,751 S * 2/2009 Coushaine et al. D13/134
D586,949 S 2/2009 Martin
D591,894 S 5/2009 Flank
D599,950 S 9/2009 Sabernig
7,594,748 B2 * 9/2009 Chang et al. 362/650
D610,543 S * 2/2010 Coushaine D13/134
D610,544 S * 2/2010 Coushaine et al. D13/134
D610,545 S * 2/2010 Coushaine et al. D13/134
D611,638 S 3/2010 Sabernig
D618,375 S 6/2010 Sabernig
D619,288 S 7/2010 Mier-Langner
D620,187 S 7/2010 Quadri
D625,871 S 10/2010 Huang
D626,094 S 10/2010 Alexander
D627,727 S * 11/2010 Alexander et al. D13/134
D628,156 S * 11/2010 Alexander et al. D13/134
D629,549 S 12/2010 Feigenbaum
D632,414 S 2/2011 Croce
2010/0128484 A1 * 5/2010 Peng 362/294
2011/0002122 A1 * 1/2011 Tsao 362/277
* cited by examiner

Primary Examiner — Susan M Lee
Assistant Examiner — Linda G. Brooks
(74) *Attorney, Agent, or Firm* — Inventivity, LLC; Karen E. Suhm

(56) **References Cited**

U.S. PATENT DOCUMENTS

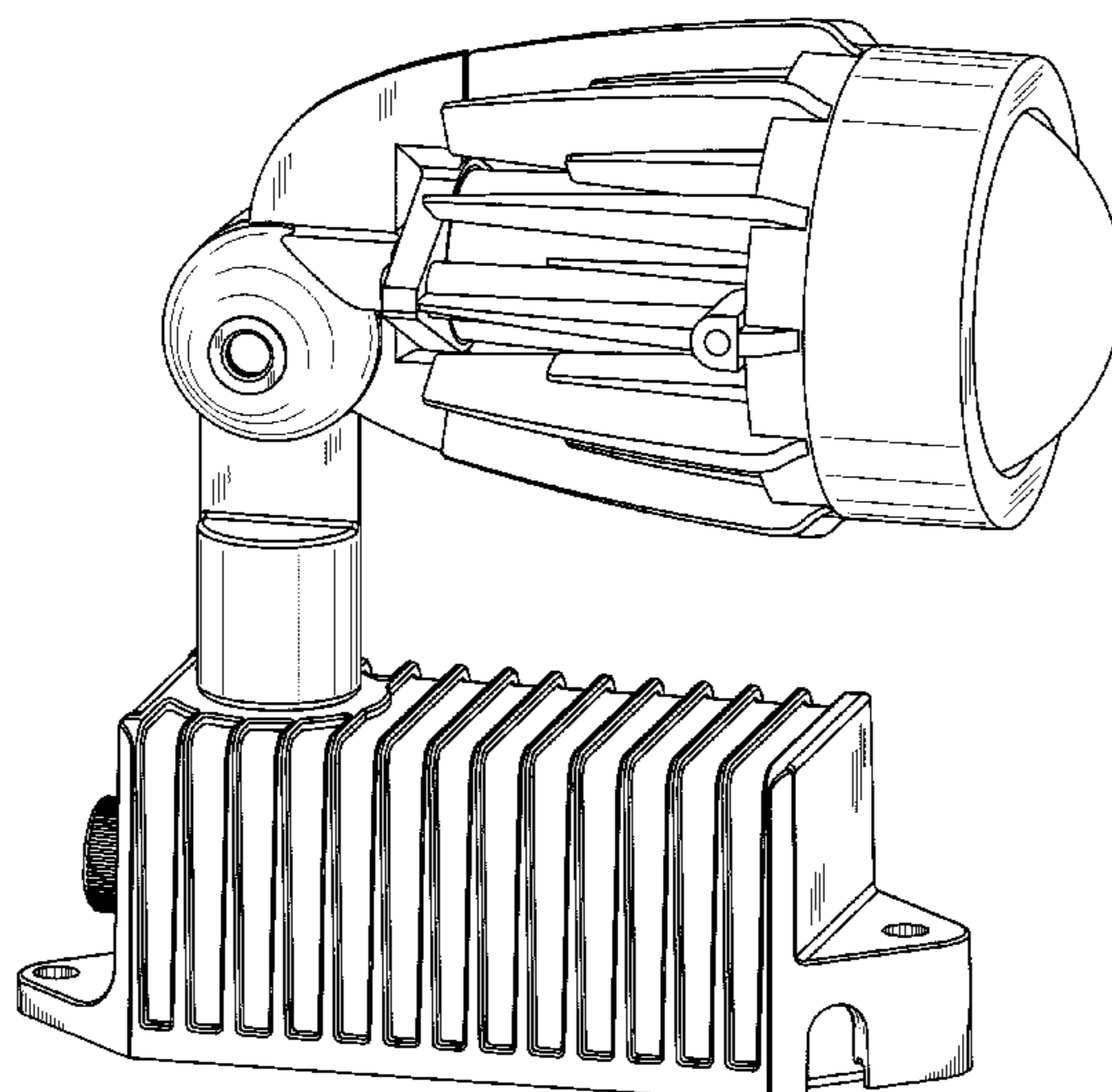
D258,918 S * 4/1981 Miller, Jr. D26/93
D322,862 S 12/1991 Miller
D369,877 S 5/1996 Lupien
D383,236 S 9/1997 Krogman
D407,518 S 3/1999 Yeh
D427,696 S 7/2000 Scott
D437,652 S 2/2001 Uhler
D440,330 S 4/2001 Scott
D443,710 S 6/2001 Chiu
D463,048 S 9/2002 Scott
D470,962 S 2/2003 Chen
D475,646 S 6/2003 Mashevsky
D482,476 S 11/2003 Kwong
D507,668 S 7/2005 Kwong
D556,354 S 11/2007 Prazoff
D564,119 S 3/2008 Metlen
D577,453 S 9/2008 Metlen
D585,588 S 1/2009 Alexander
D585,589 S 1/2009 Alexander
D586,497 S 2/2009 Wu

(57) **CLAIM**
The ornamental design for a landscape bullet, as shown and described.

DESCRIPTION

FIG. 1 is a front perspective view of the landscape bullet of the invention;
FIG. 2 is a rear perspective view thereof;
FIG. 3 is a front elevation view thereof;
FIG. 4 is a rear elevation view thereof;
FIG. 5 is a right side elevation view thereof;
FIG. 6 is a left side elevation view thereof;
FIG. 7 is a top plan view thereof; and,
FIG. 8 is a bottom plan view thereof.

1 Claim, 7 Drawing Sheets



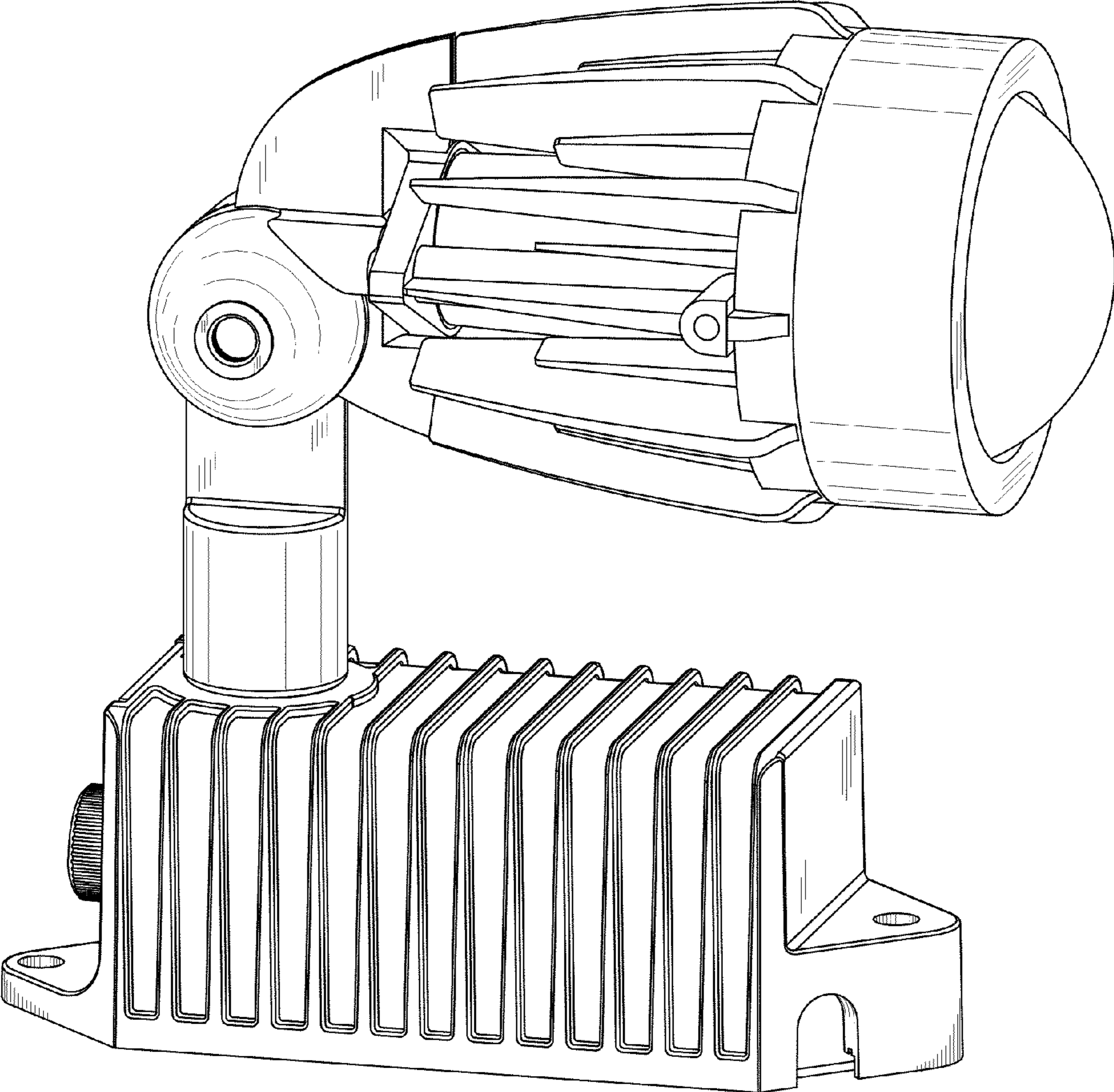


Fig. 1

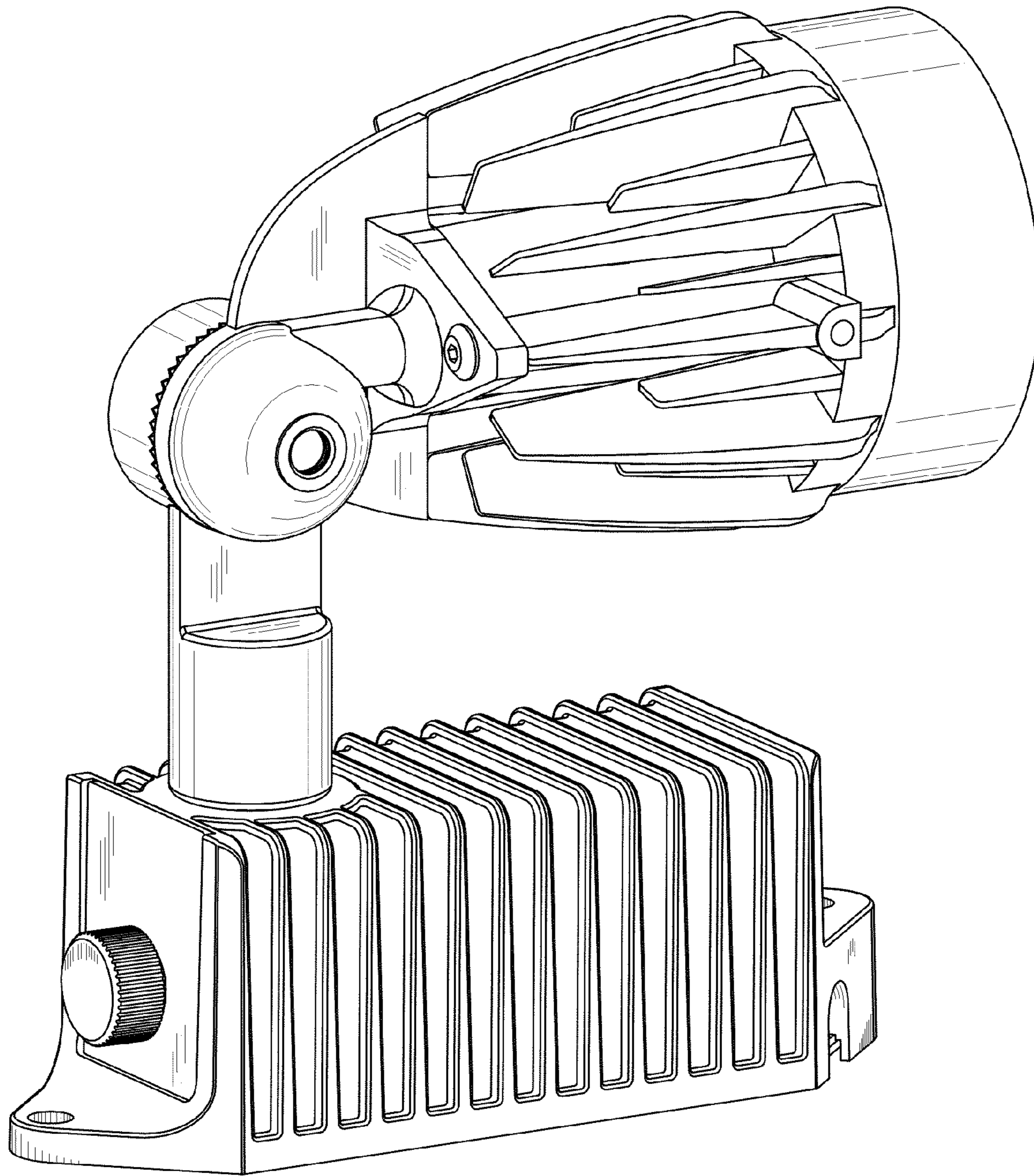


Fig. 2

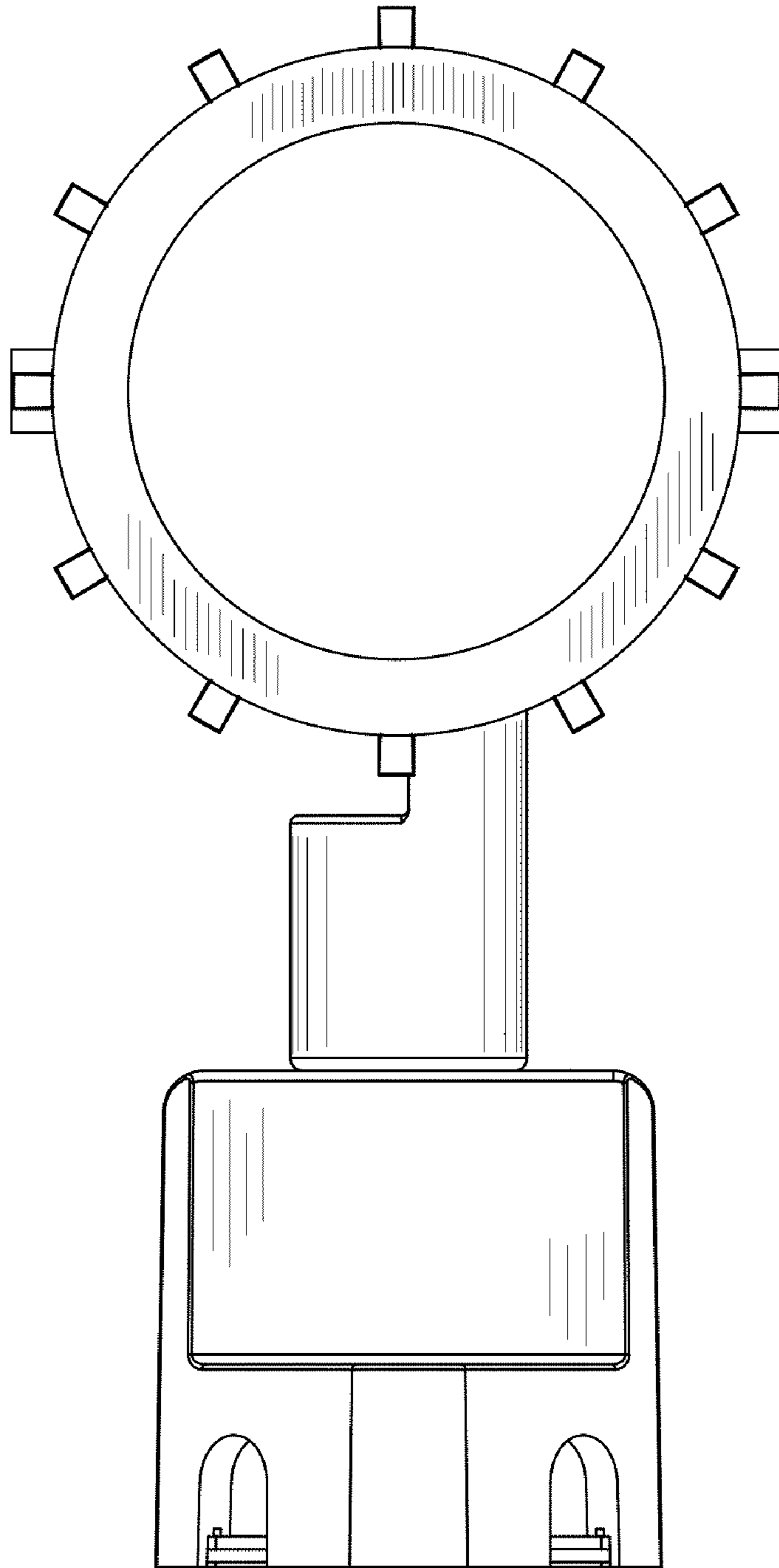


Fig. 3

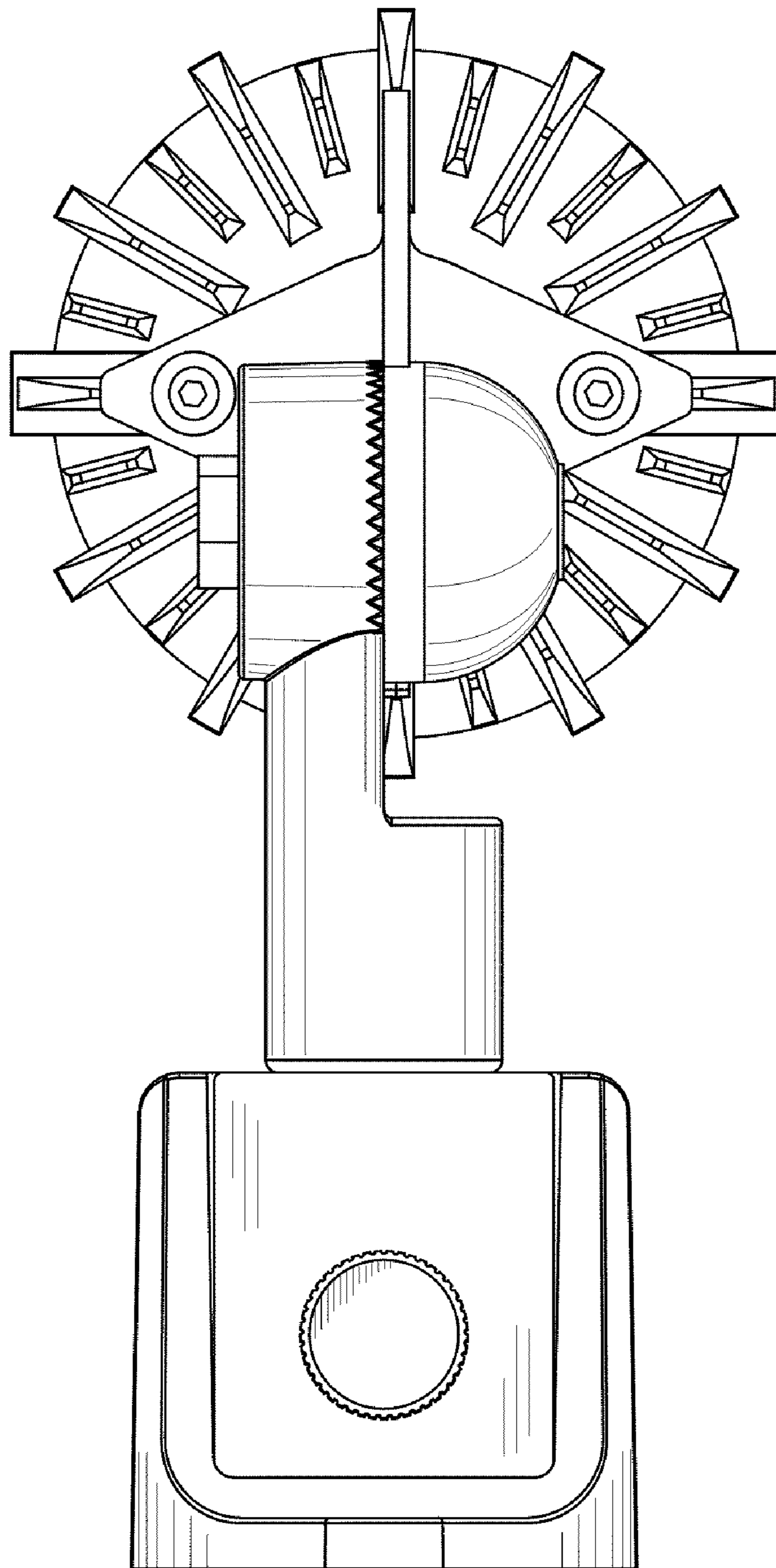


Fig. 4

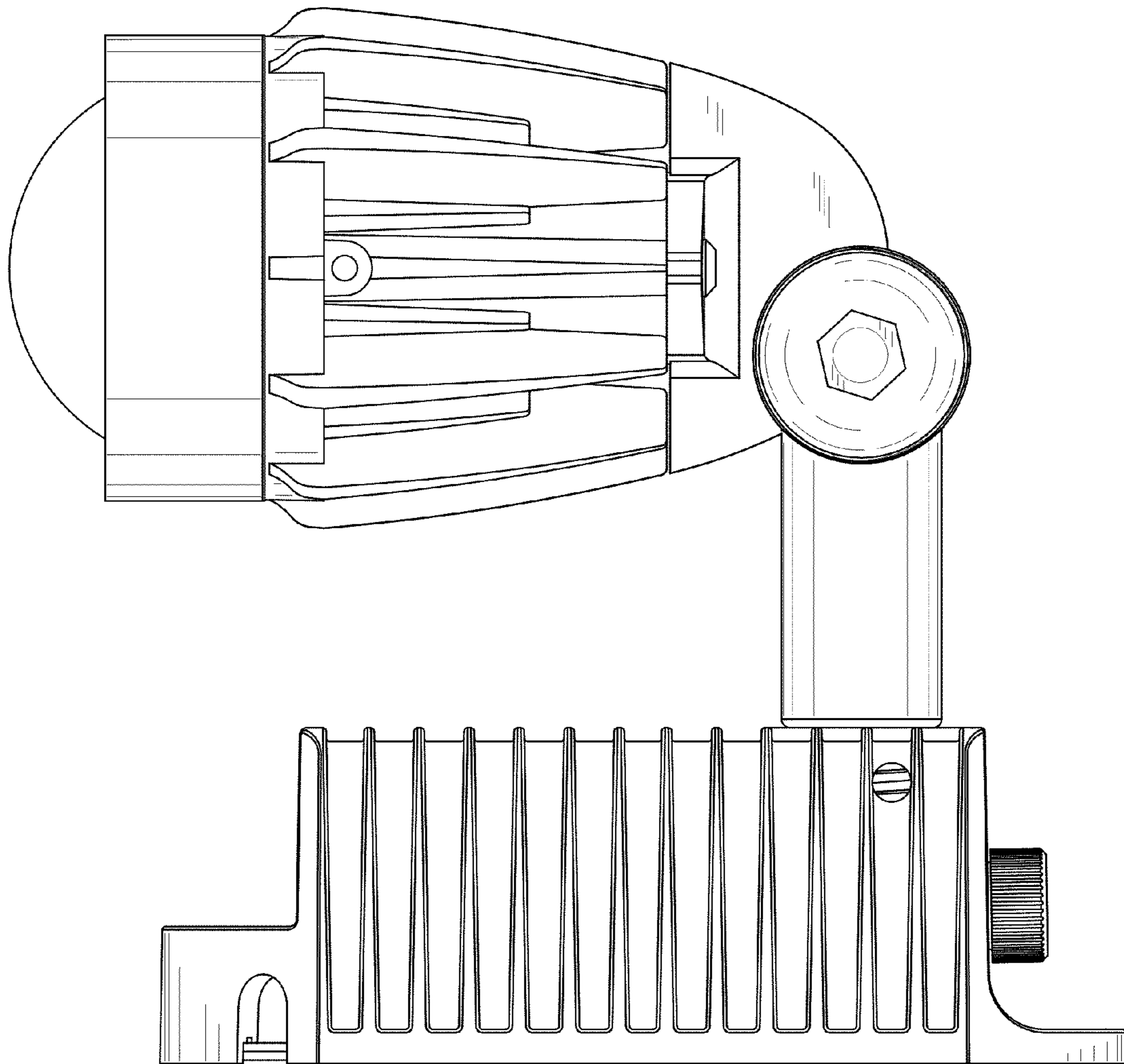


Fig. 5

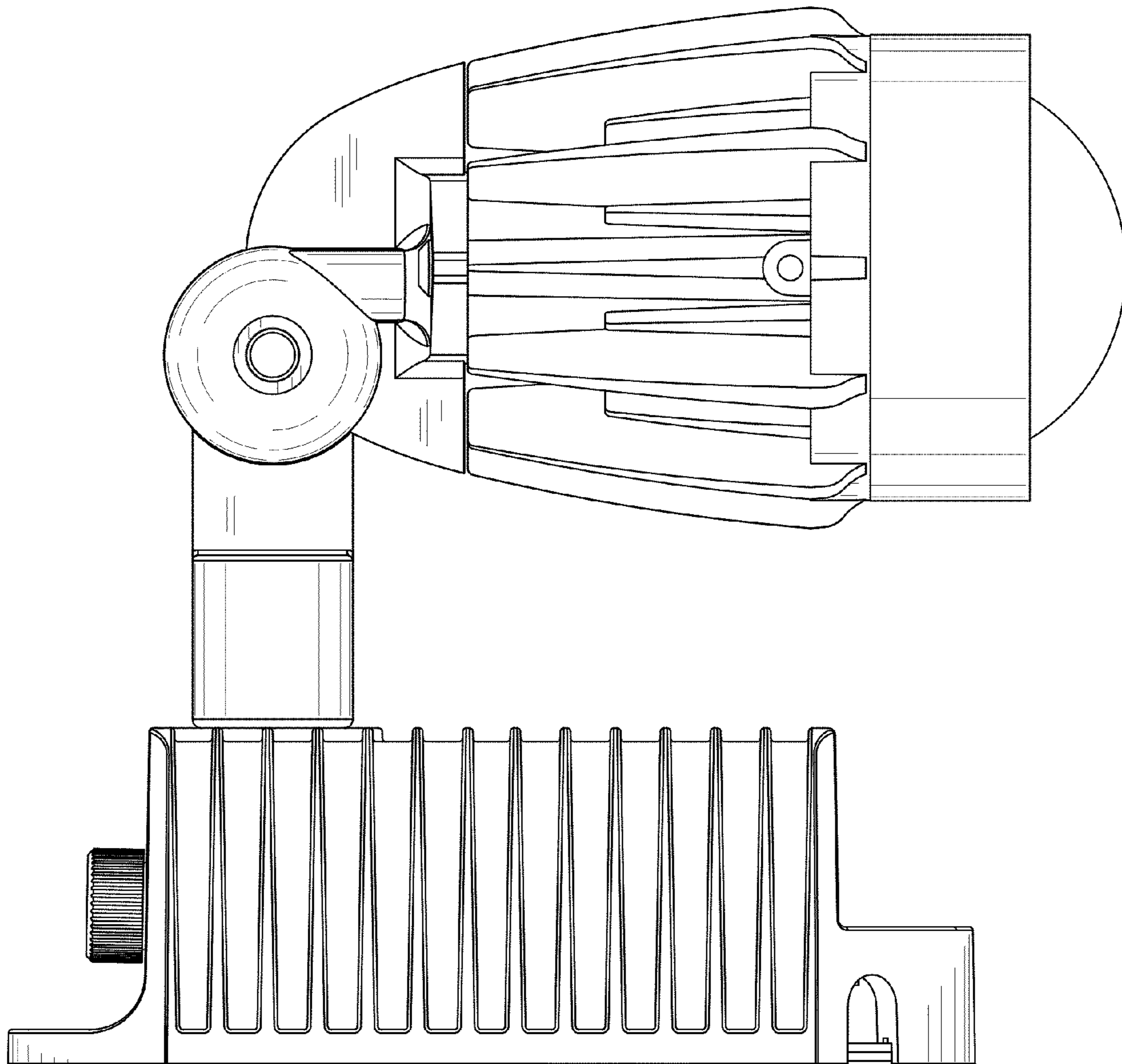


Fig. 6

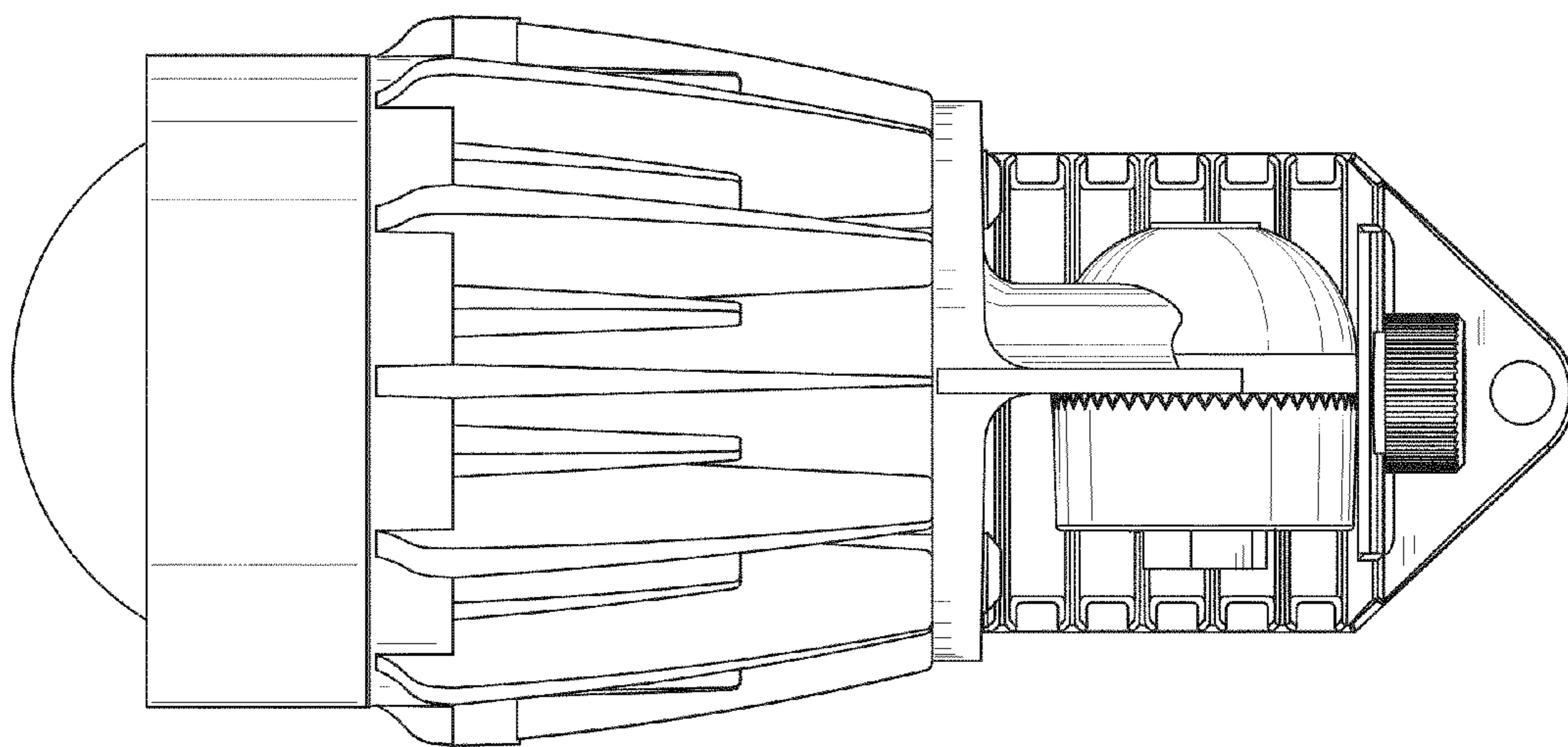


Fig. 7

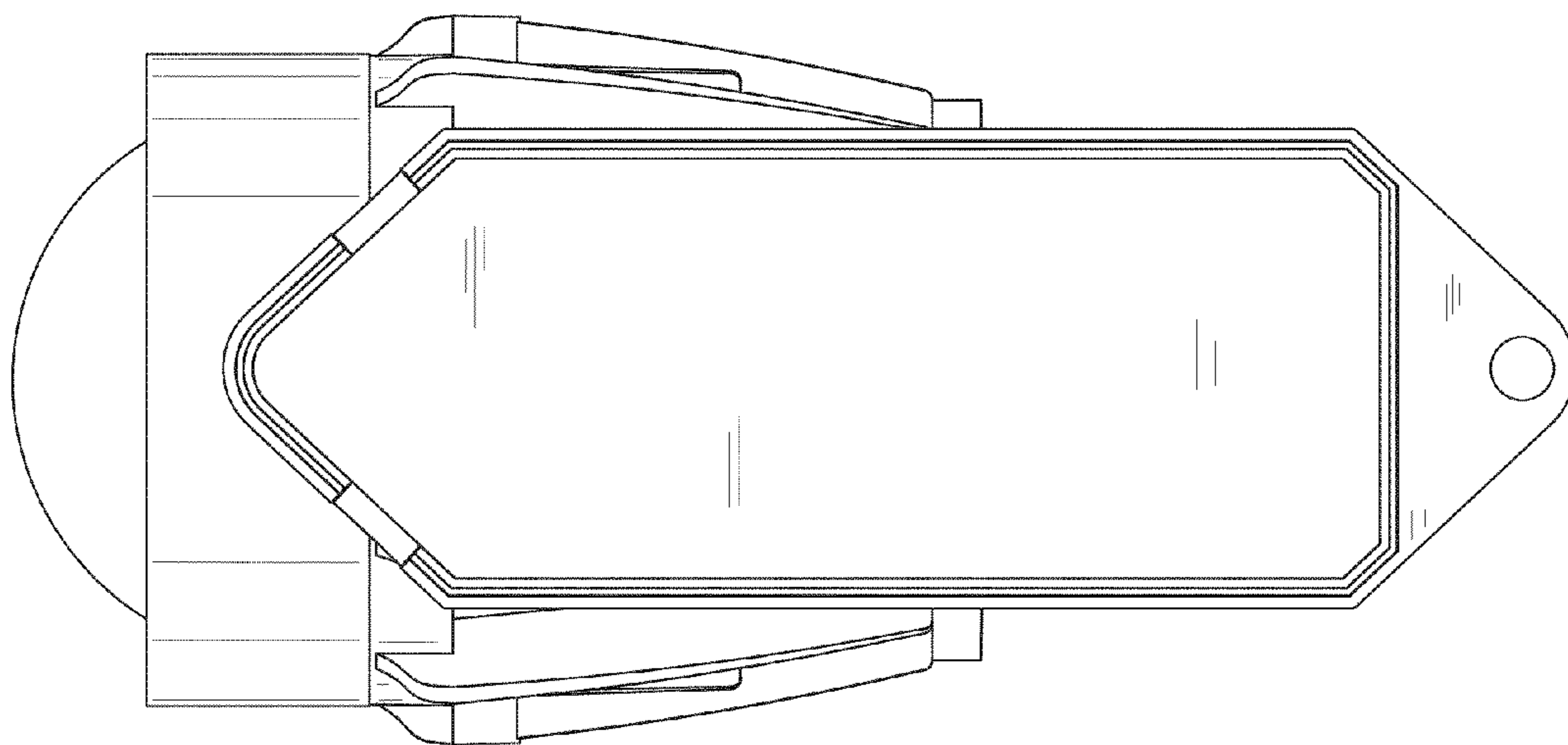


Fig. 8