



US00D648055S

(12) **United States Design Patent**
Poon

(10) **Patent No.:** **US D648,055 S**

(45) **Date of Patent:** **** Nov. 1, 2011**

(54) **MINI LANTERN**

D556,928 S * 12/2007 Poon D26/40
D576,329 S * 9/2008 Poon D26/40
D616,578 S * 5/2010 Leung et al. D26/41

(75) Inventor: **Tit Wing Poon**, Fotan (HK)

* cited by examiner

(73) Assignee: **Flying Dragon Development Limited**,
New Territories (HK)

Primary Examiner — Ian Simmons

Assistant Examiner — Carissa C Fitts

(**) Term: **14 Years**

(74) *Attorney, Agent, or Firm* — Intellectual Property Law
Group LLP; Juneko Jackson

(21) Appl. No.: **29/387,780**

(57) **CLAIM**

The ornamental design for a mini lantern, as shown and
described.

(22) Filed: **Mar. 17, 2011**

DESCRIPTION

(51) **LOC (9) Cl.** **26-02**

(52) **U.S. Cl.** **D26/41**

(58) **Field of Classification Search** D26/37,
D26/38, 39, 41, 42, 49, 40, 24; 362/157,
362/158, 183, 184, 171–178, 194–196, 202–208
See application file for complete search history.

FIG. 1 is a front view of a mini lantern embodying my new
design;

FIG. 2 is a rear view thereof;

FIG. 3 is a left side view thereof;

FIG. 4 is a right side view thereof;

FIG. 5 is top plan view thereof;

FIG. 6 is a bottom plan view thereof;

FIG. 7 is a front, top, left side perspective view thereof;

FIG. 8 is a front, top, right side perspective view thereof;

FIG. 9 is a bottom perspective view thereof; and,

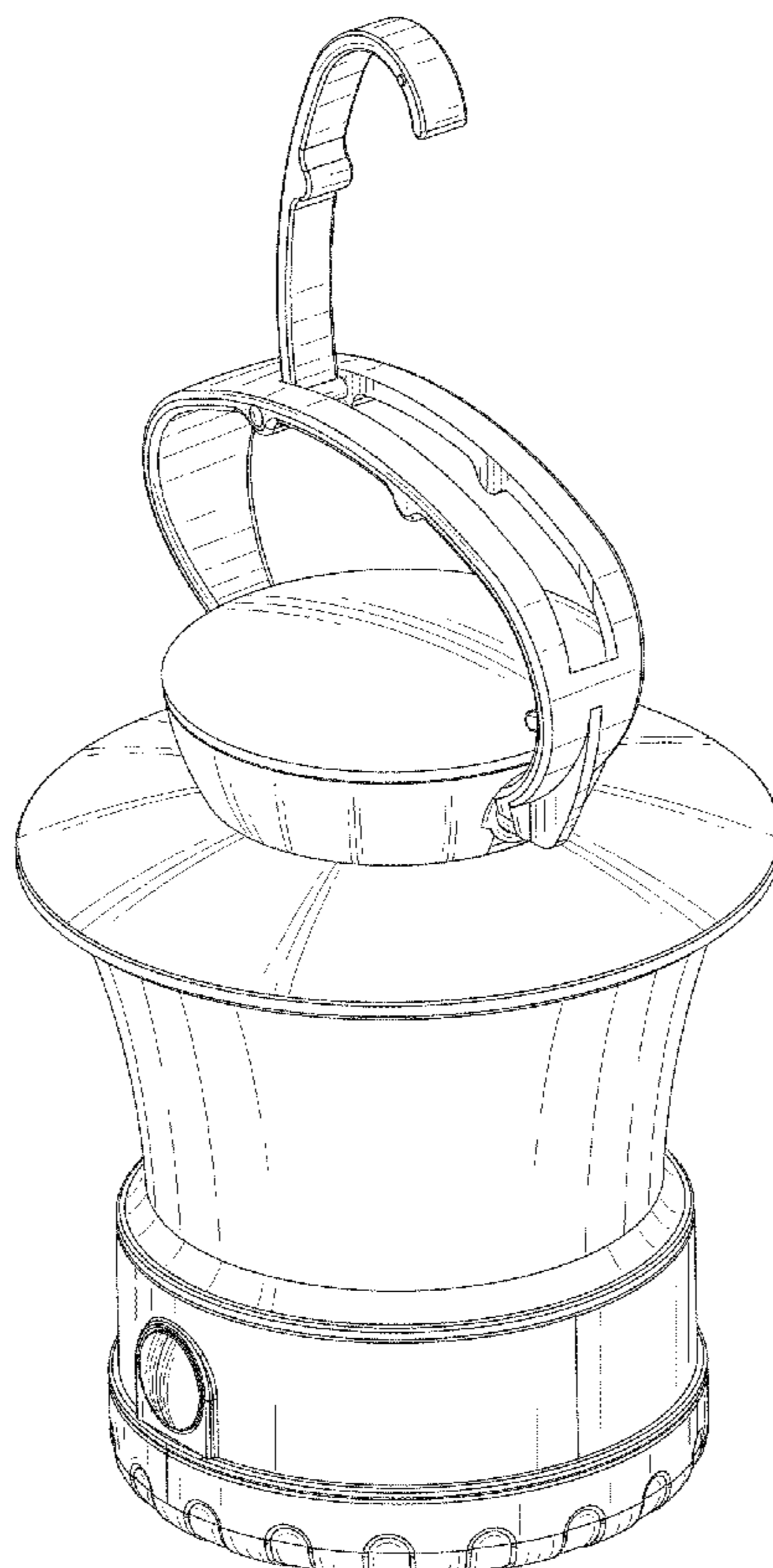
FIG. 10 is a front, top, right side perspective view thereof with
the handle in an open position.

(56) **References Cited**

U.S. PATENT DOCUMENTS

D414,886 S * 10/1999 Lo D26/42
D462,469 S * 9/2002 Poon D26/37
D464,451 S * 10/2002 Poon D26/37
D491,302 S * 6/2004 Krieger et al. D26/40

1 Claim, 5 Drawing Sheets



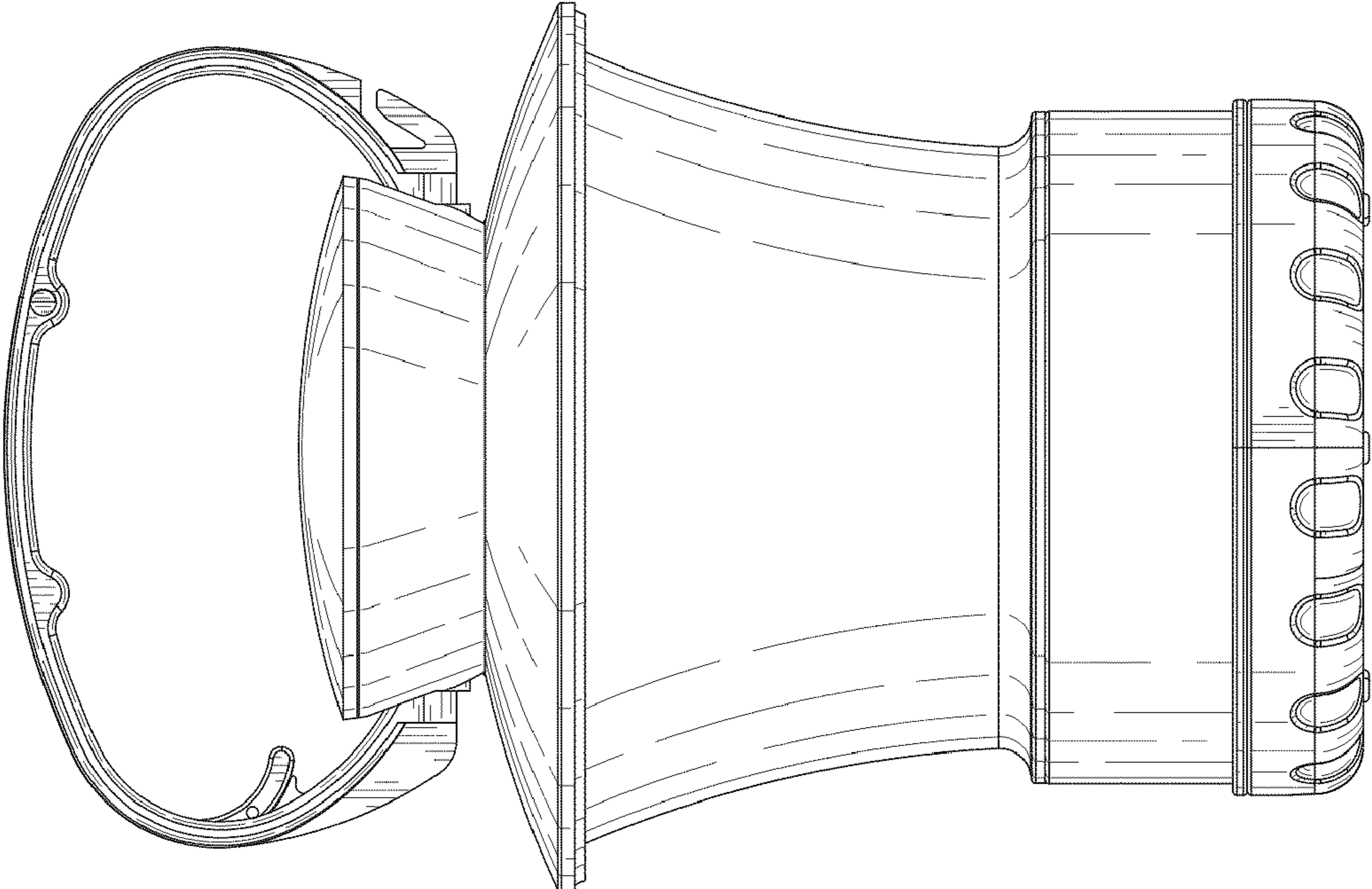


FIG. 2

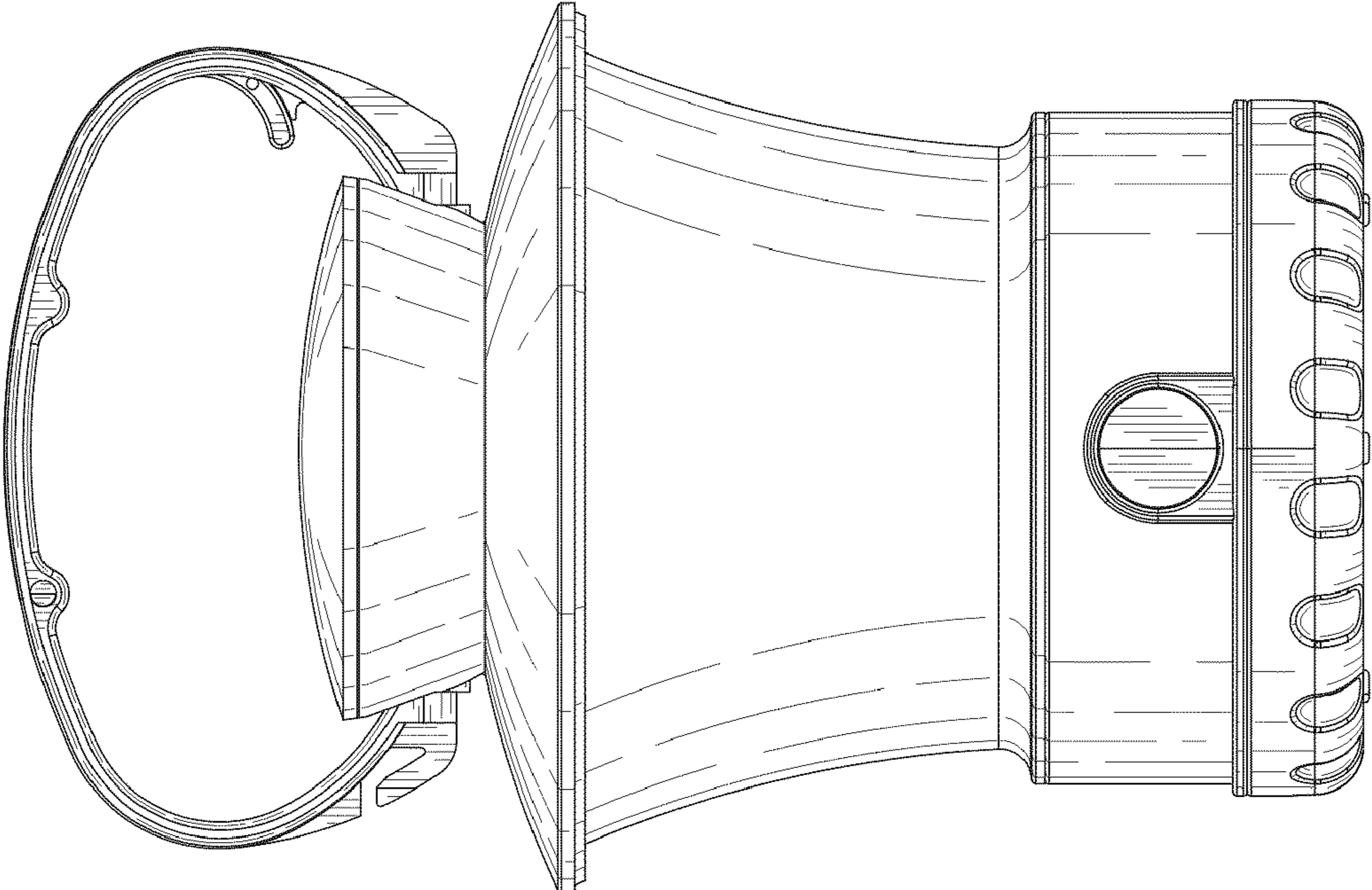


FIG. 1

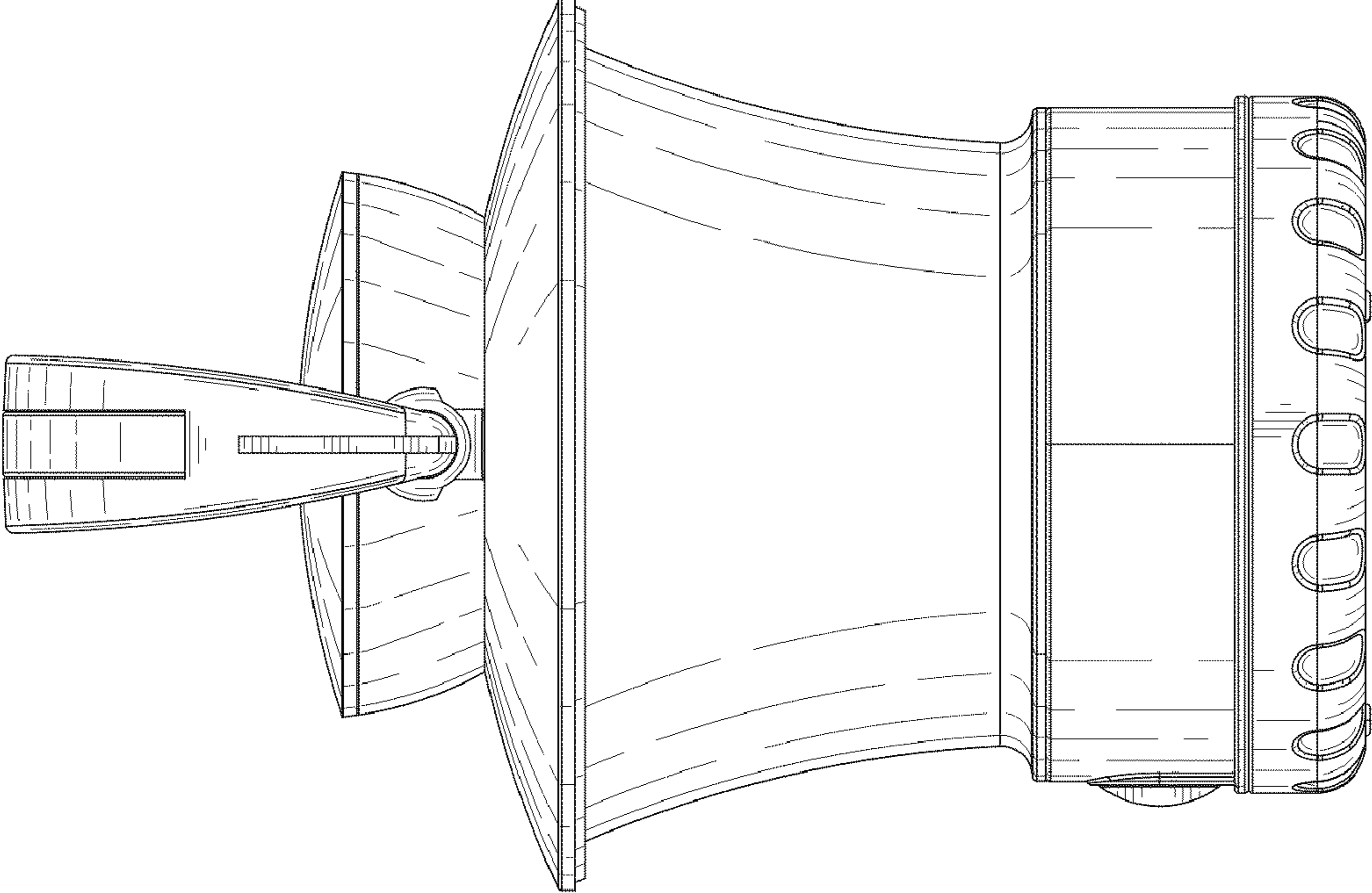


FIG. 4

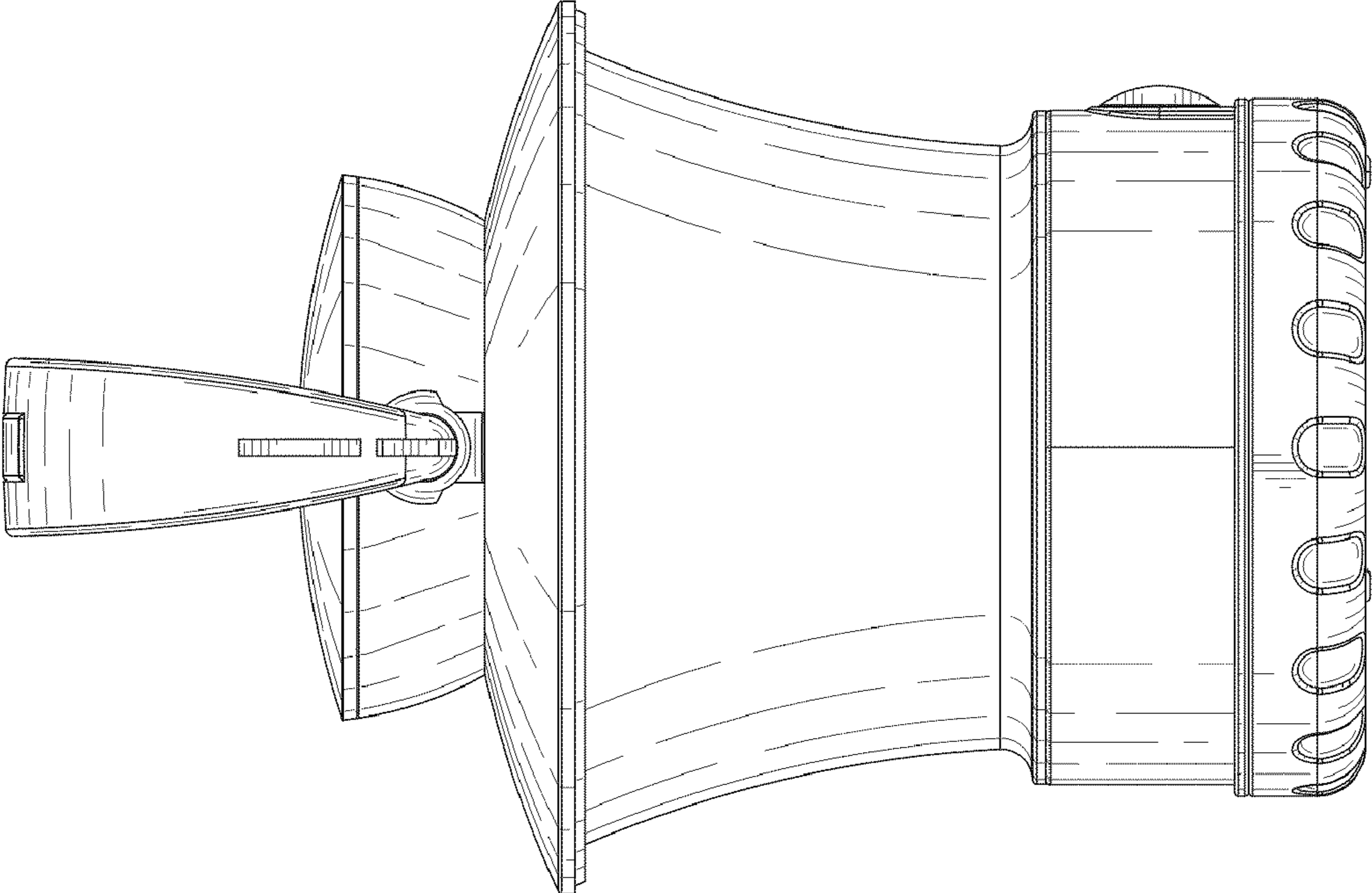


FIG. 3

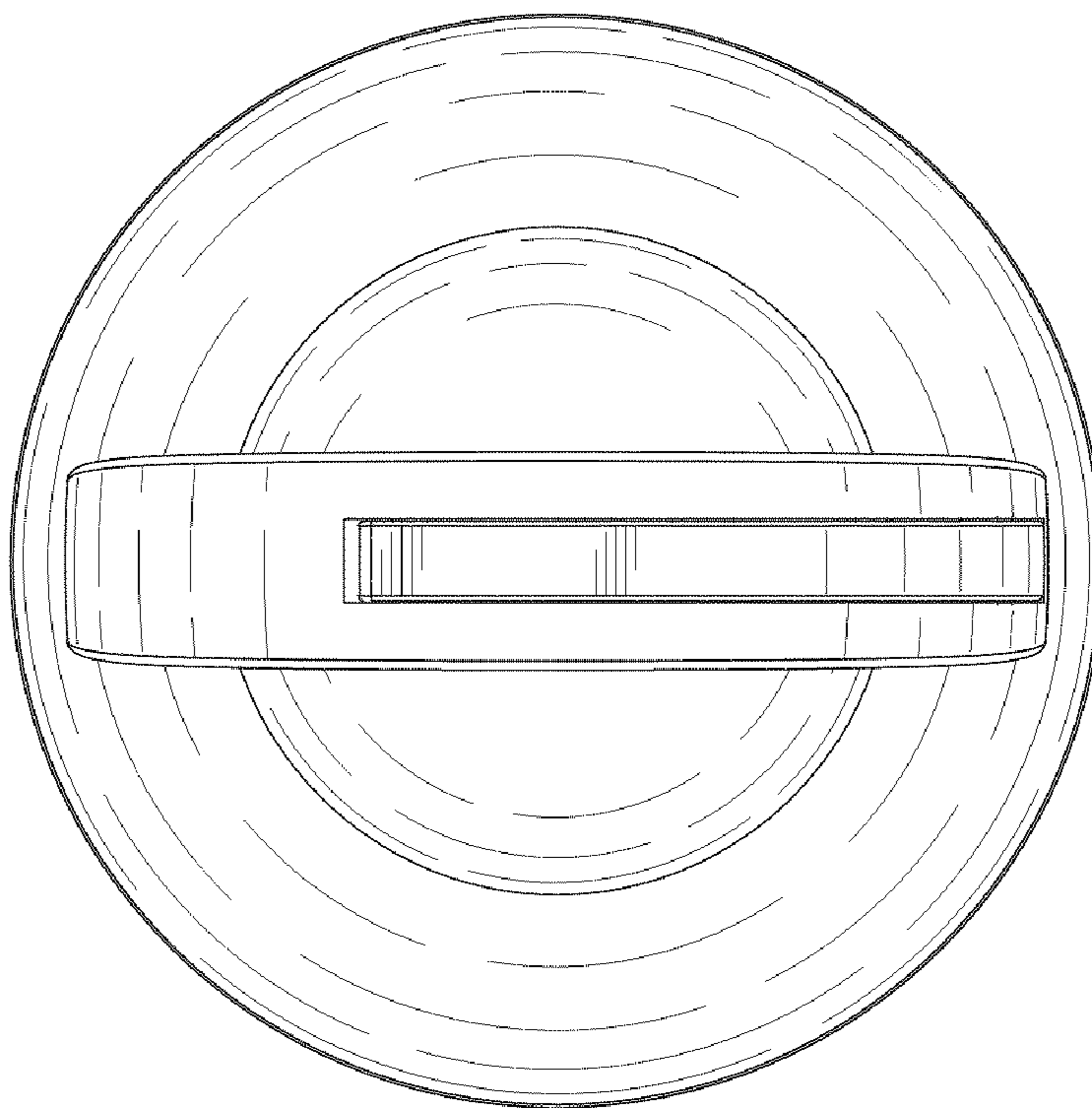


FIG. 5

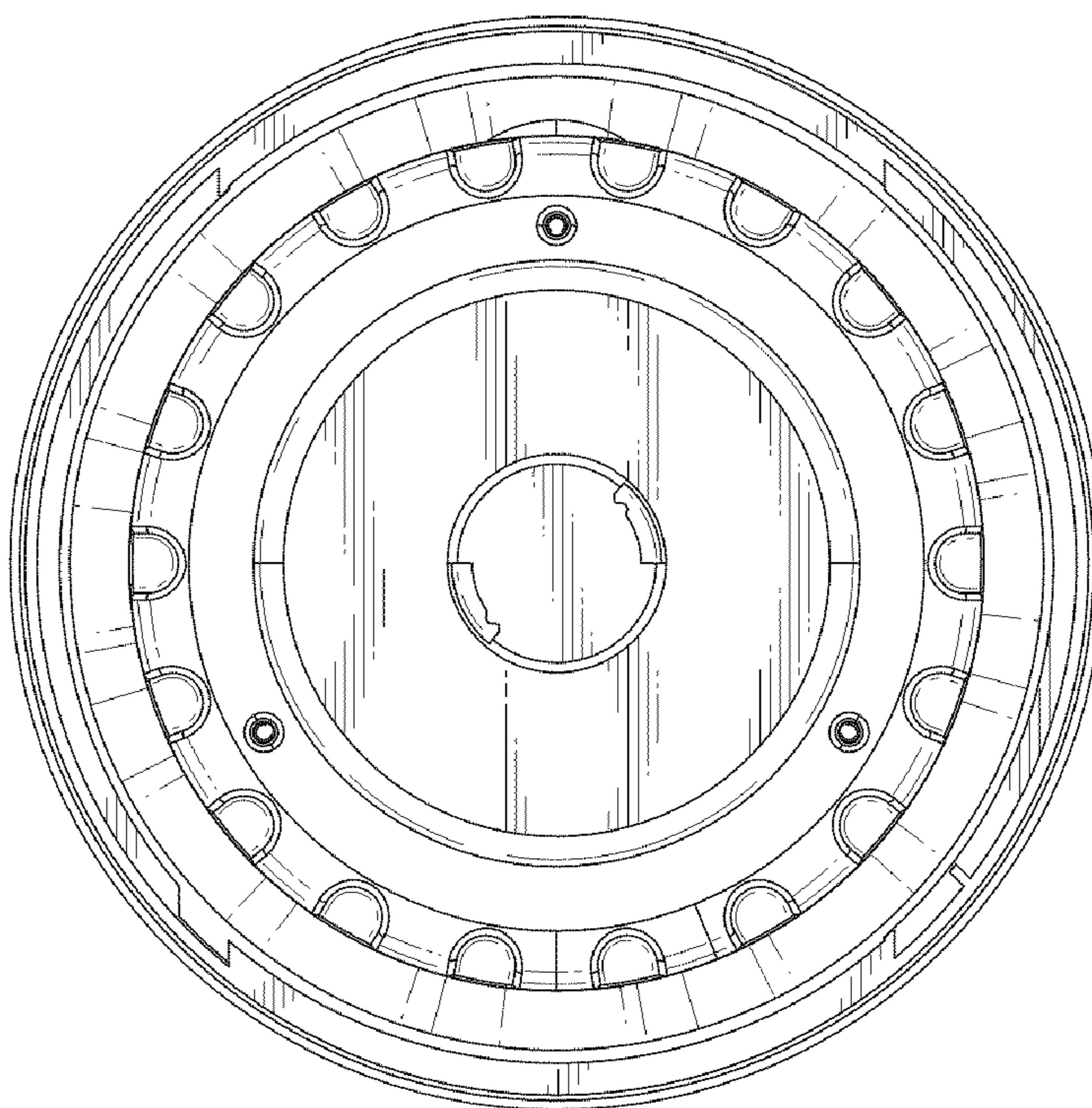


FIG. 6

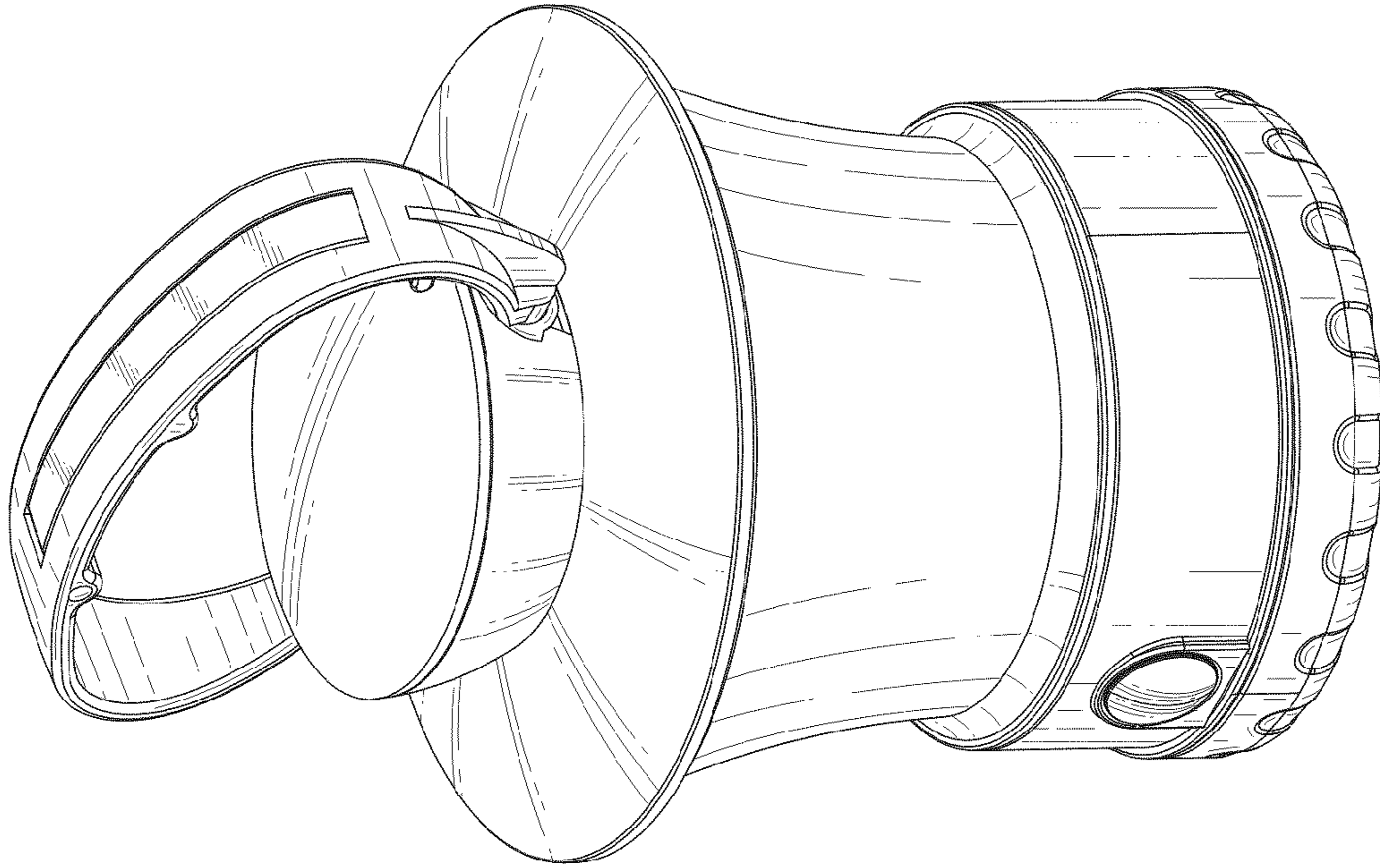


FIG. 8

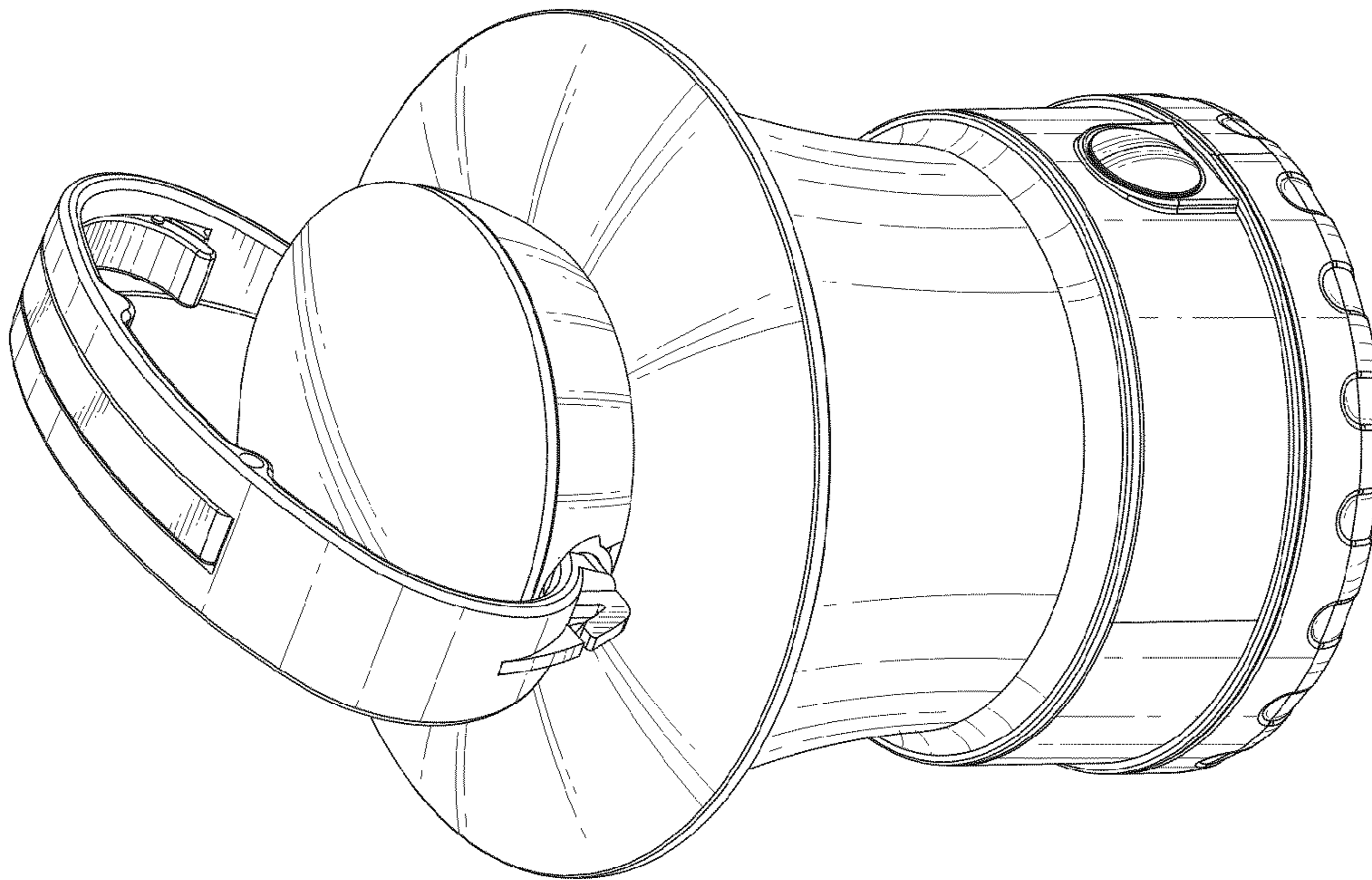


FIG. 7

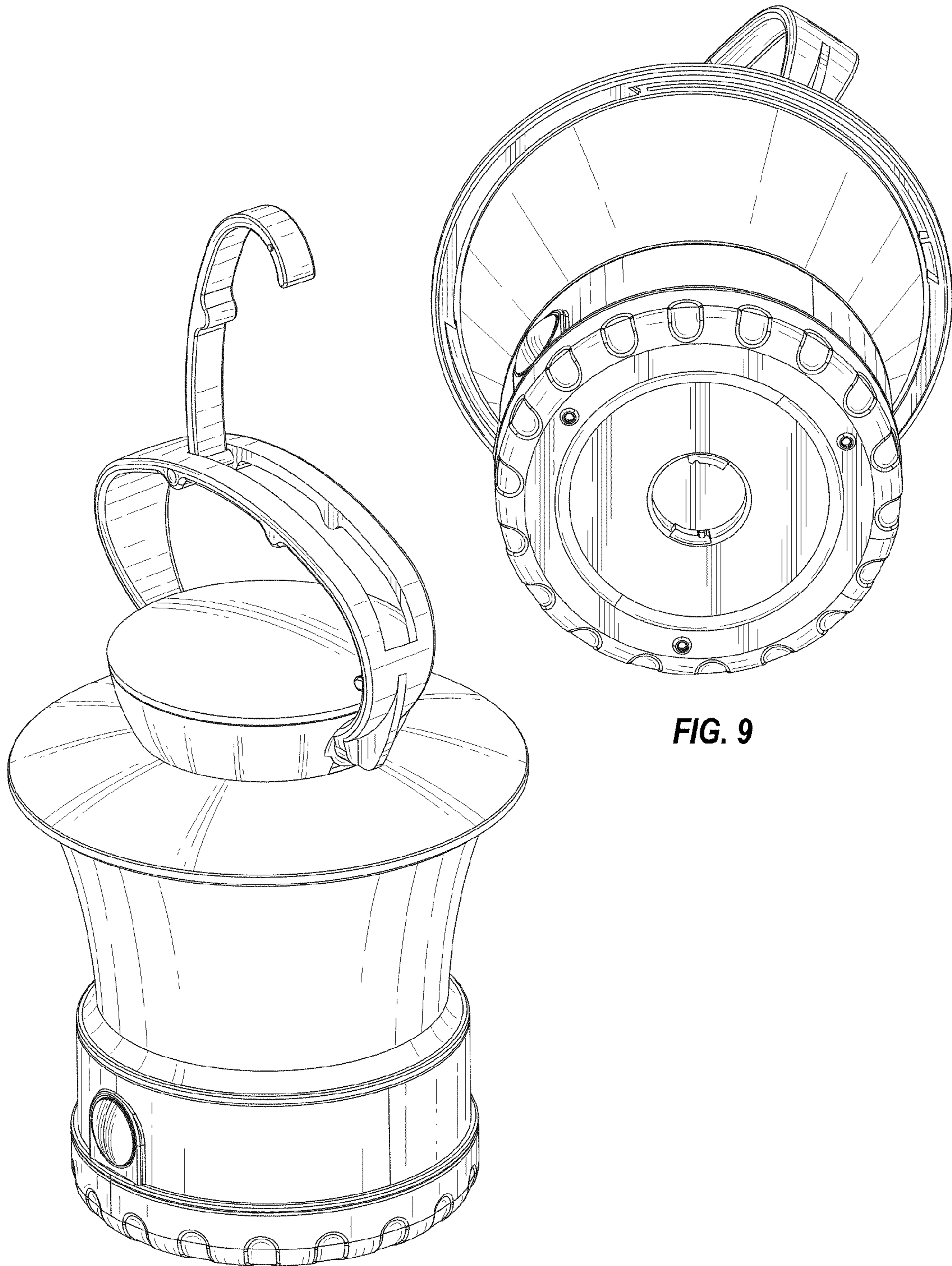


FIG. 9

FIG. 10