



US00D648051S

(12) **United States Design Patent**  
**Kim et al.**

(10) **Patent No.:** **US D648,051 S**

(45) **Date of Patent:** **\*\* Nov. 1, 2011**

(54) **PORTION FOR A LED LAMP**

(75) Inventors: **Jihoo Kim**, Seoul (KR); **Tae Young Choi**, Seoul (KR); **Dong Nyung Lim**, Seoul (KR); **Sung Ho Kim**, Seoul (KR); **Cheonjoo Kim**, Seoul (KR)

(73) Assignee: **LG Innotek Co., Ltd.**, Seoul (KR)

(\*\*) Term: **14 Years**

(21) Appl. No.: **29/389,840**

(22) Filed: **Apr. 18, 2011**

(30) **Foreign Application Priority Data**

Oct. 22, 2010 (KR) ..... 30-2010-0045746

(51) **LOC (9) Cl.** ..... **26-04**

(52) **U.S. Cl.** ..... **D26/2**

(58) **Field of Classification Search** ..... D26/1-4;  
313/313, 315, 316, 317, 318, 493; 315/52,  
315/53, 56, 57, 58

See application file for complete search history.

(56) **References Cited**

**U.S. PATENT DOCUMENTS**

D508,575 S \* 8/2005 Buschmann et al. .... D26/2  
D528,227 S \* 9/2006 Chou et al. .... D26/2

D531,741 S \* 11/2006 Takahashi ..... D26/2  
D534,665 S \* 1/2007 Egawa et al. .... D26/2  
D538,953 S \* 3/2007 Mama ..... D26/2  
D541,440 S \* 4/2007 Feit ..... D26/2  
D553,267 S \* 10/2007 Yuen ..... D26/2  
D590,523 S \* 4/2009 Takahashi ..... D26/2  
D615,220 S \* 5/2010 Crane et al. .... D26/2

\* cited by examiner

*Primary Examiner* — Marcus Jackson

(74) *Attorney, Agent, or Firm* — Lowe Hauptman Ham & Berner LLP

(57) **CLAIM**

The ornamental design for a portion for a LED lamp, as shown and described.

**DESCRIPTION**

FIG. 1 is a perspective view of a portion for a LED lamp showing my/our new design;  
FIG. 2 is a front elevational view thereof;  
FIG. 3 is a rear elevational view thereof;  
FIG. 4 is a left side elevational view thereof;  
FIG. 5 is a right side elevational view thereof;  
FIG. 6 is a top plan view thereof; and,  
FIG. 7 is a bottom plan view thereof.

**1 Claim, 4 Drawing Sheets**

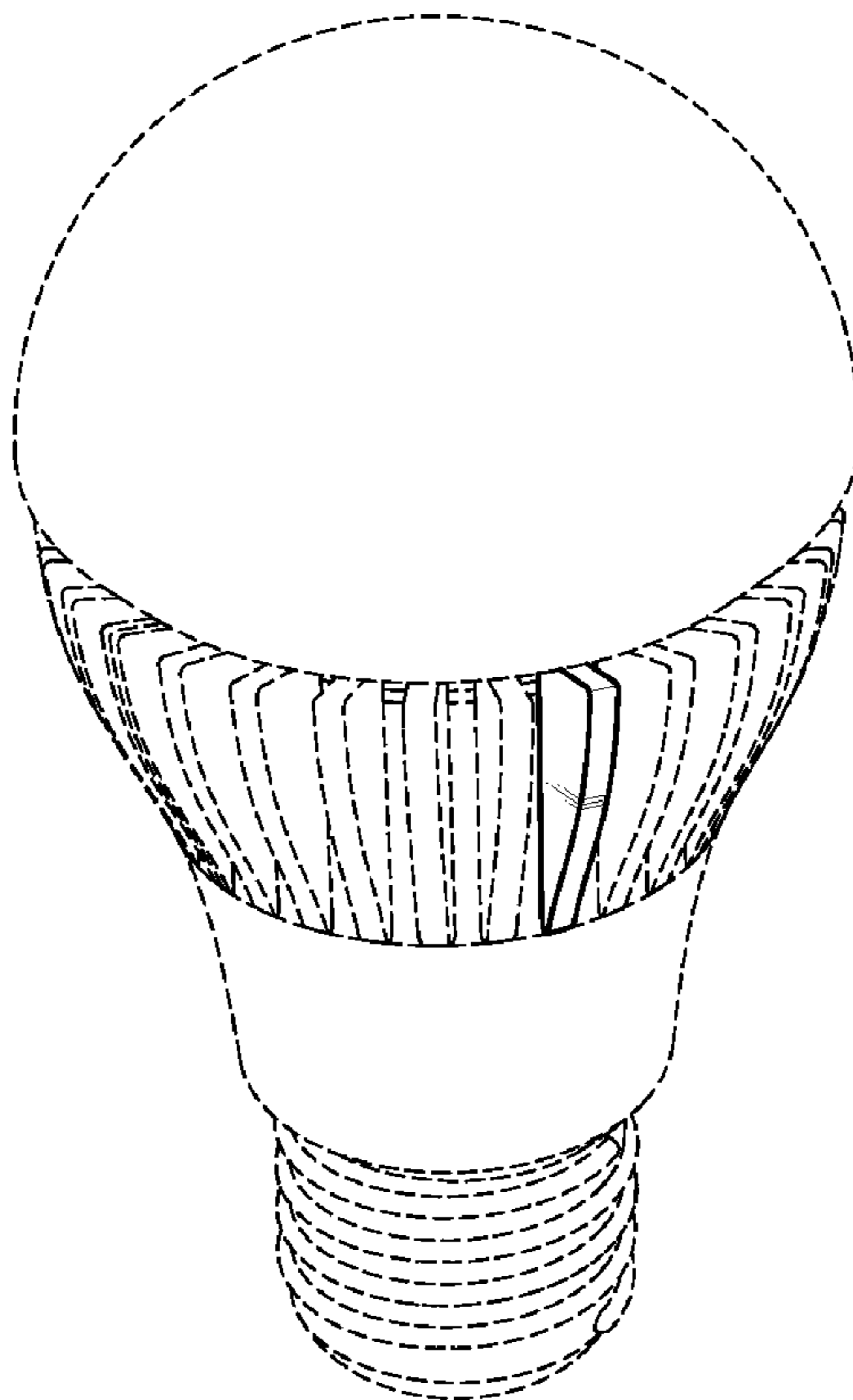


FIG. 1

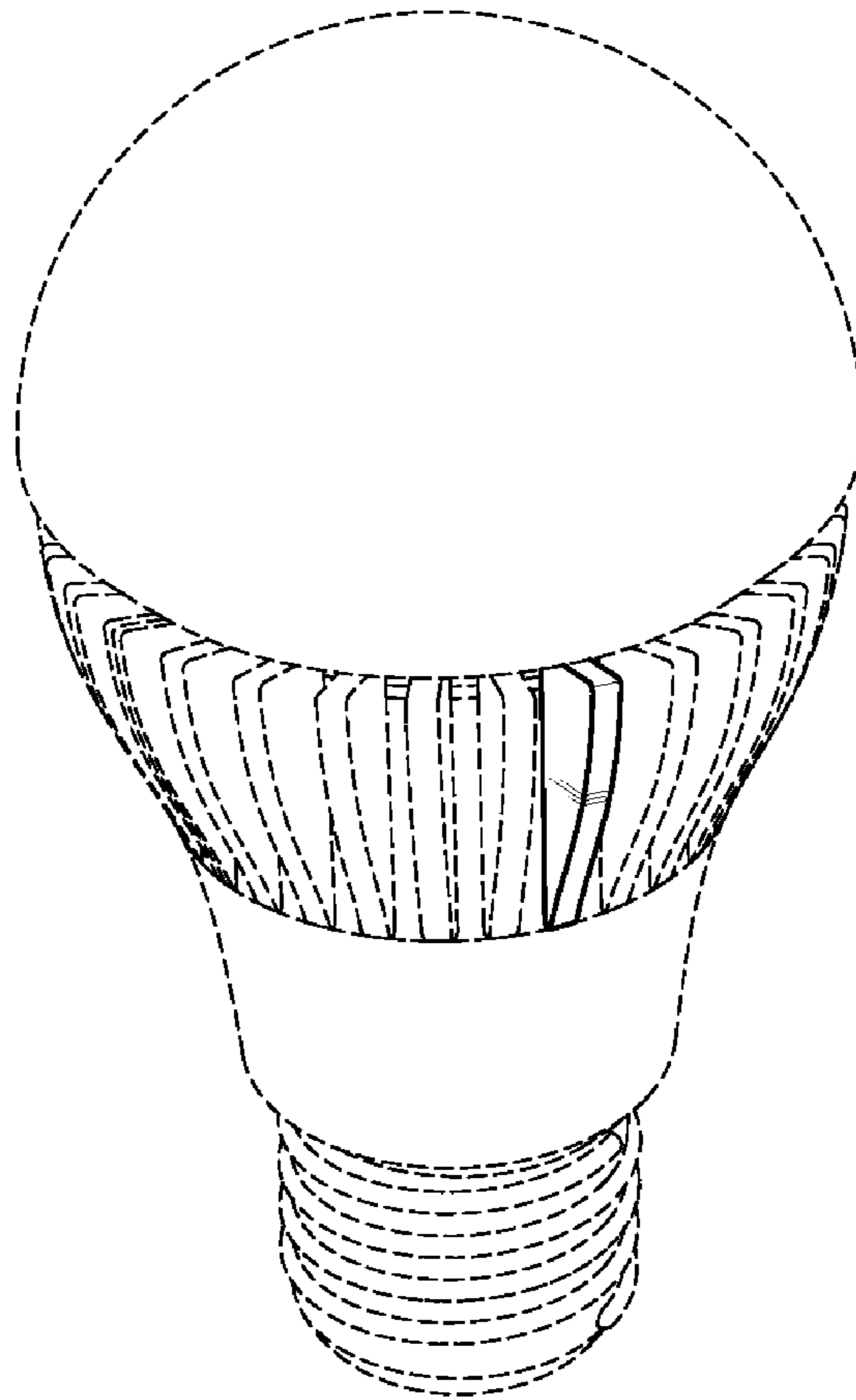


FIG. 2

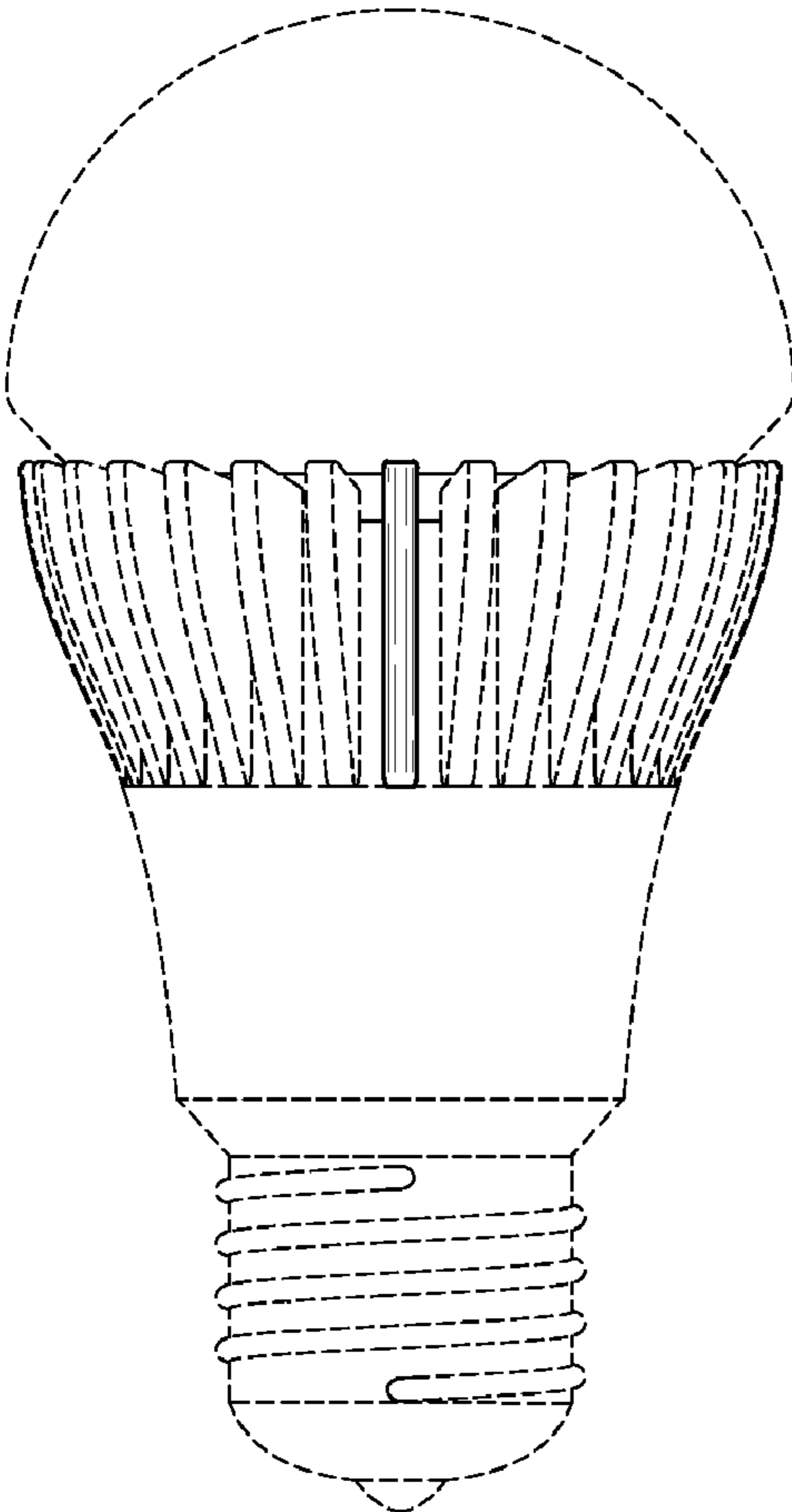


FIG. 3

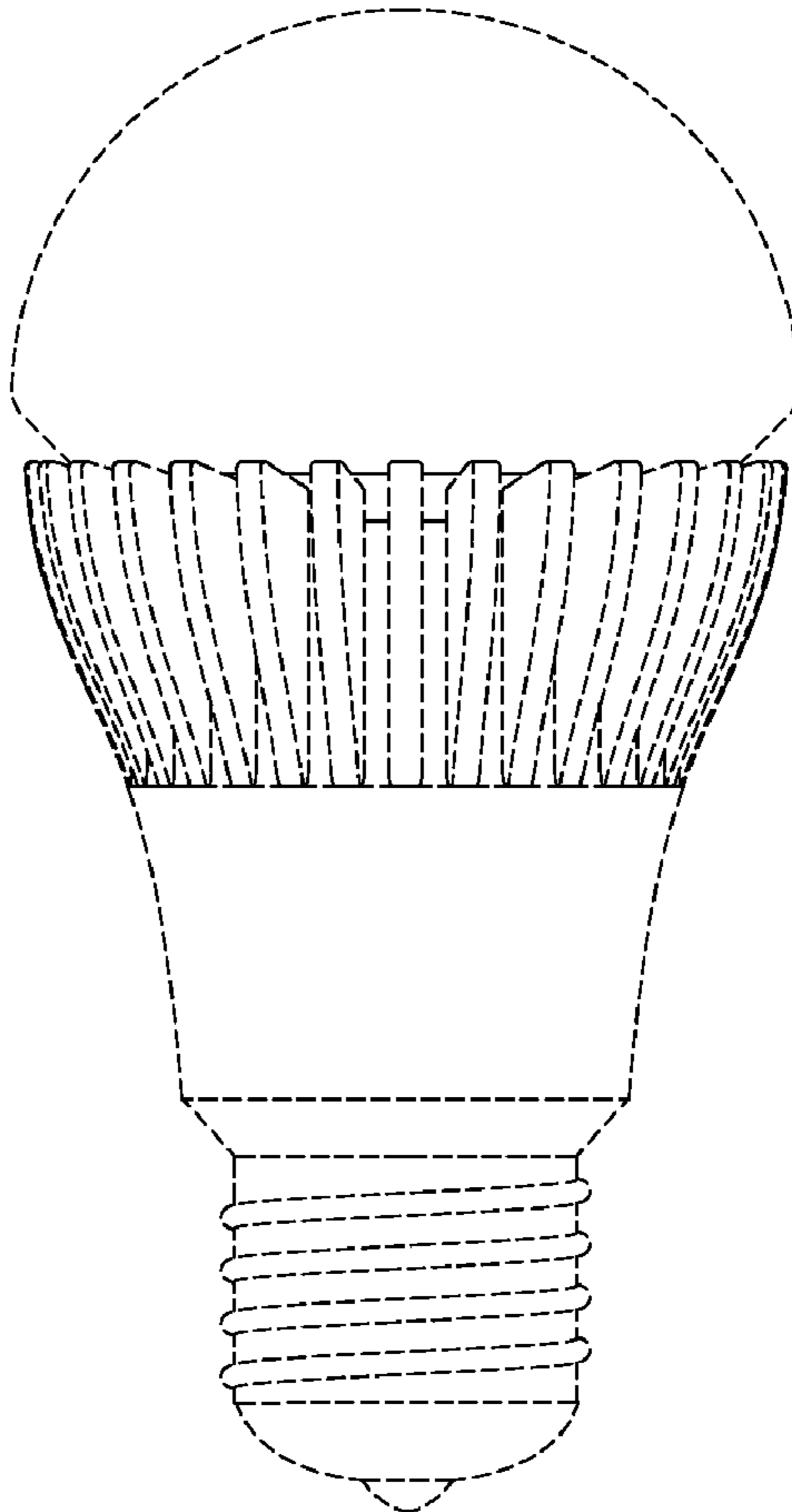


FIG. 4

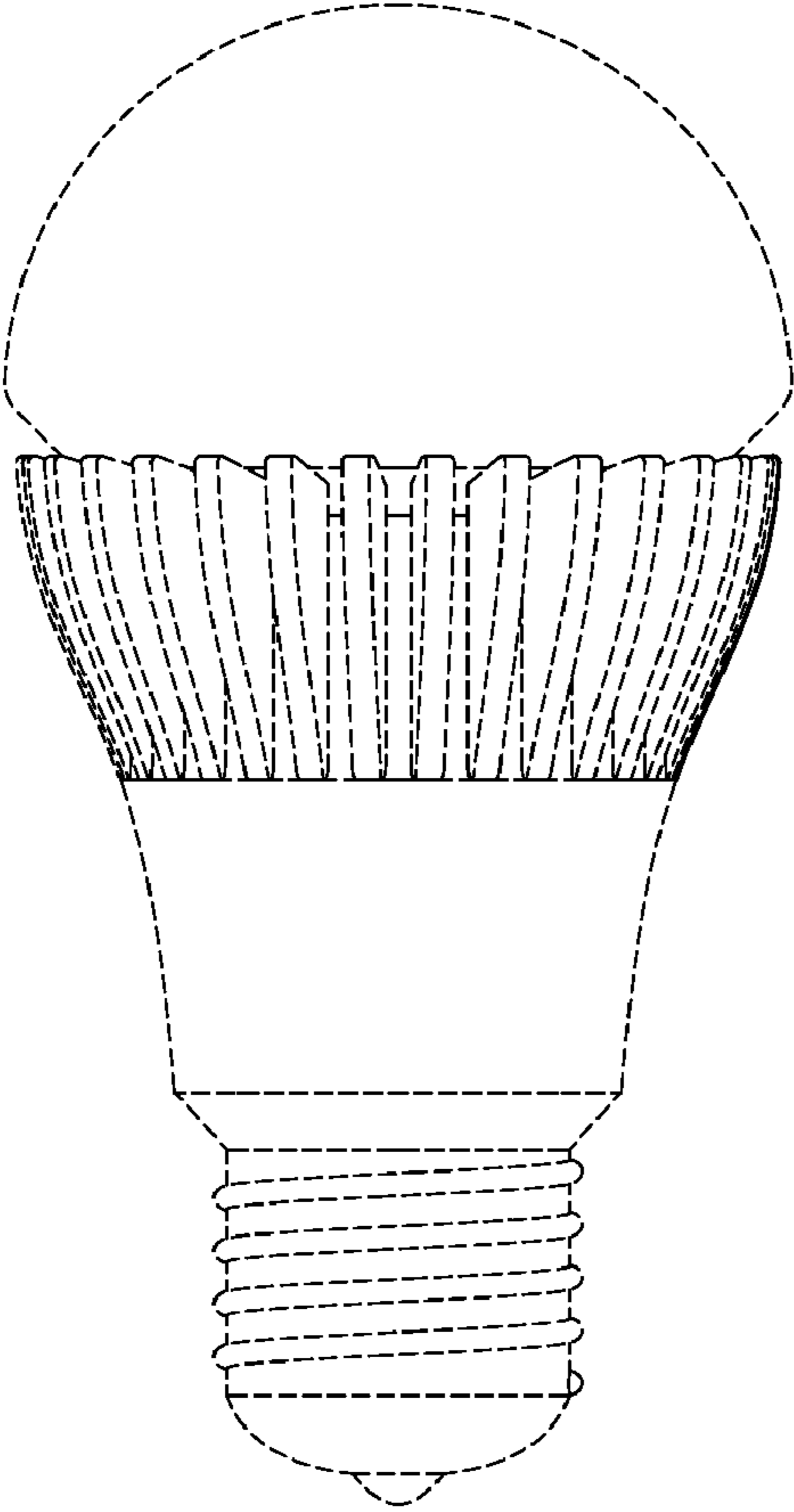


FIG. 5

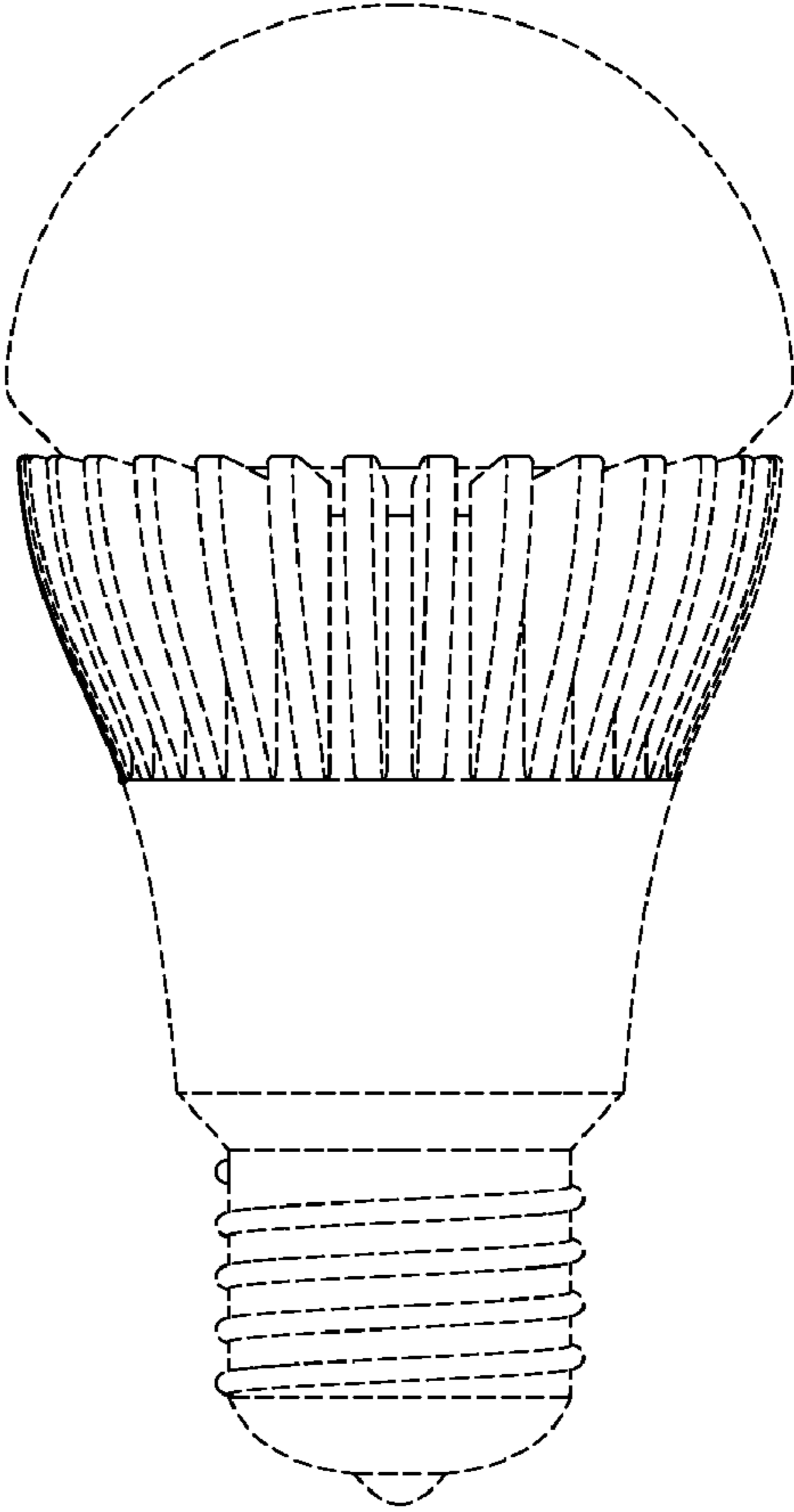


FIG. 6

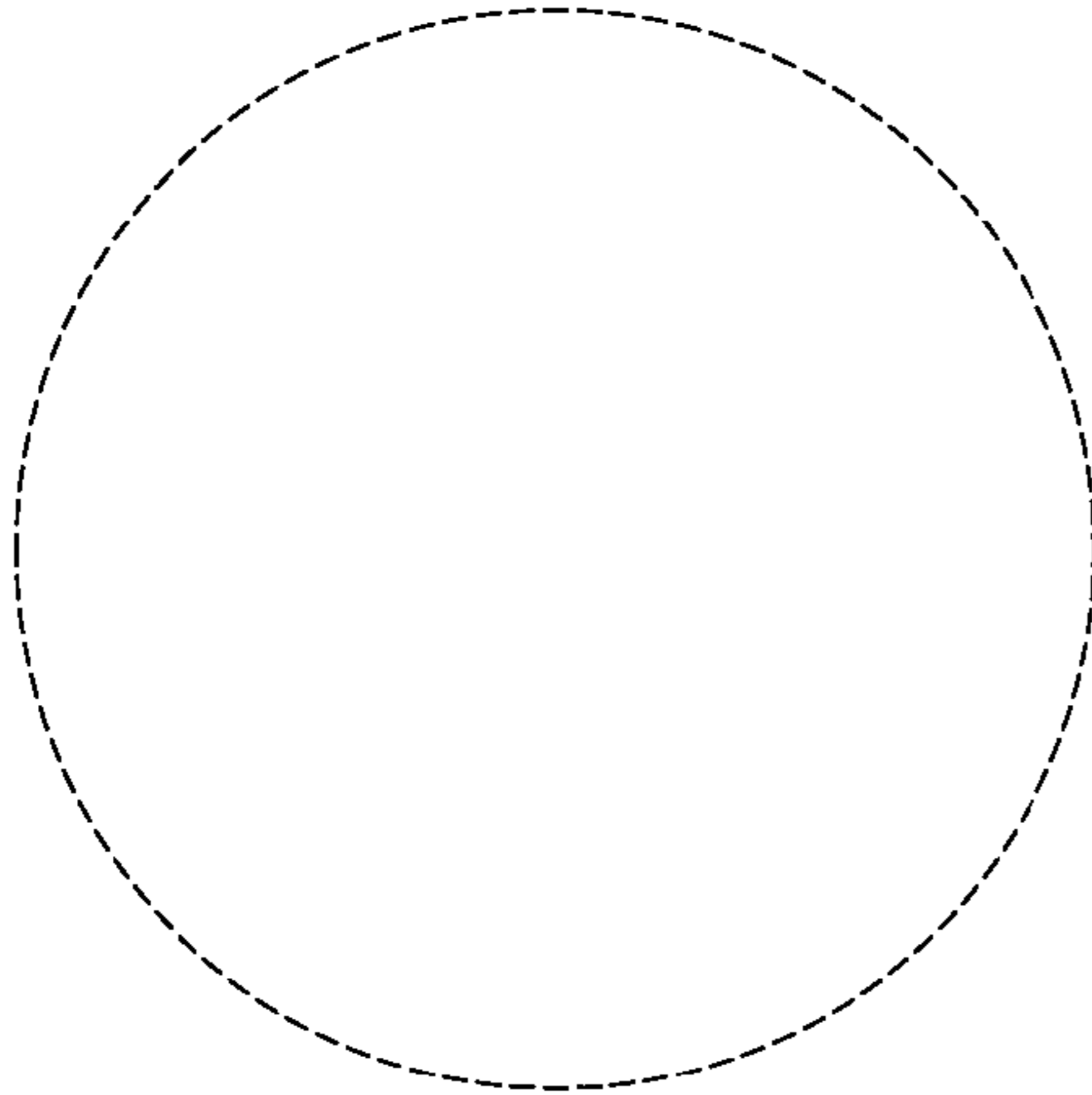


FIG. 7

