



US00D648041S

(12) **United States Design Patent**  
**Mahler et al.**

(10) **Patent No.:** **US D648,041 S**  
(45) **Date of Patent:** **\*\* Nov. 1, 2011**

(54) **LED LAMP**

(75) Inventors: **Christoph Mahler**, Illertissen (DE);  
**Steffen Tegethoff**, Pentling (DE)

(73) Assignee: **OSRAM AG**, Munich (DE)

(\*\*) Term: **14 Years**

(21) Appl. No.: **29/376,501**

(22) Filed: **Oct. 8, 2010**

(30) **Foreign Application Priority Data**

Apr. 9, 2010 (EM) ..... 001210694

(51) **LOC (9) Cl.** ..... **26-04**

(52) **U.S. Cl.** ..... **D26/2**

(58) **Field of Classification Search** ..... D26/1-4;  
313/313, 315, 316, 317, 318, 493; 315/52,  
315/53, 56, 57, 58

See application file for complete search history.

(56) **References Cited**

U.S. PATENT DOCUMENTS

D545,457 S *	6/2007	Chen .....	D26/2
D584,428 S *	1/2009	Li et al. ....	D26/2
D587,384 S *	2/2009	Wei .....	D26/2
D592,766 S *	5/2009	Zhu et al. ....	D26/2
D601,275 S *	9/2009	Ho et al. ....	D26/2
D607,587 S *	1/2010	Ko .....	D26/2
D610,275 S *	2/2010	Cho .....	D26/2
D612,956 S *	3/2010	Moon .....	D26/2
D613,433 S *	4/2010	Moon .....	D26/2

\* cited by examiner

*Primary Examiner* — Marcus Jackson

(57) **CLAIM**

The ornamental design for a LED lamp, as shown and described.

**DESCRIPTION**

FIG. 1 is a perspective view of a LED lamp  
FIG. 2 is a front view of the LED lamp  
FIG. 3 is a right side view of the LED lamp  
FIG. 4 is a bottom view of the LED lamp; and,  
FIG. 5 is a top view of the LED lamp.

**1 Claim, 5 Drawing Sheets**

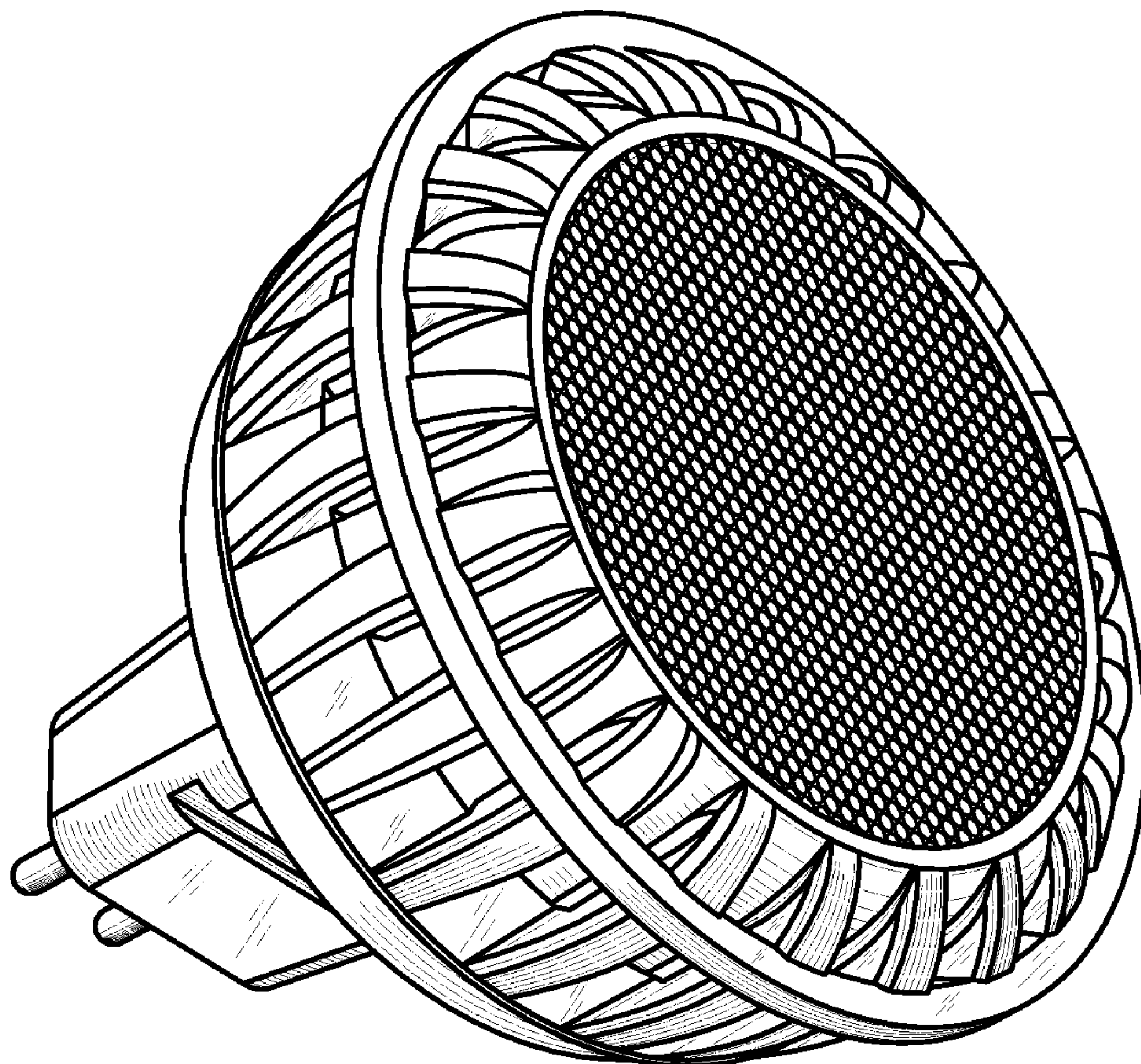


FIG 1

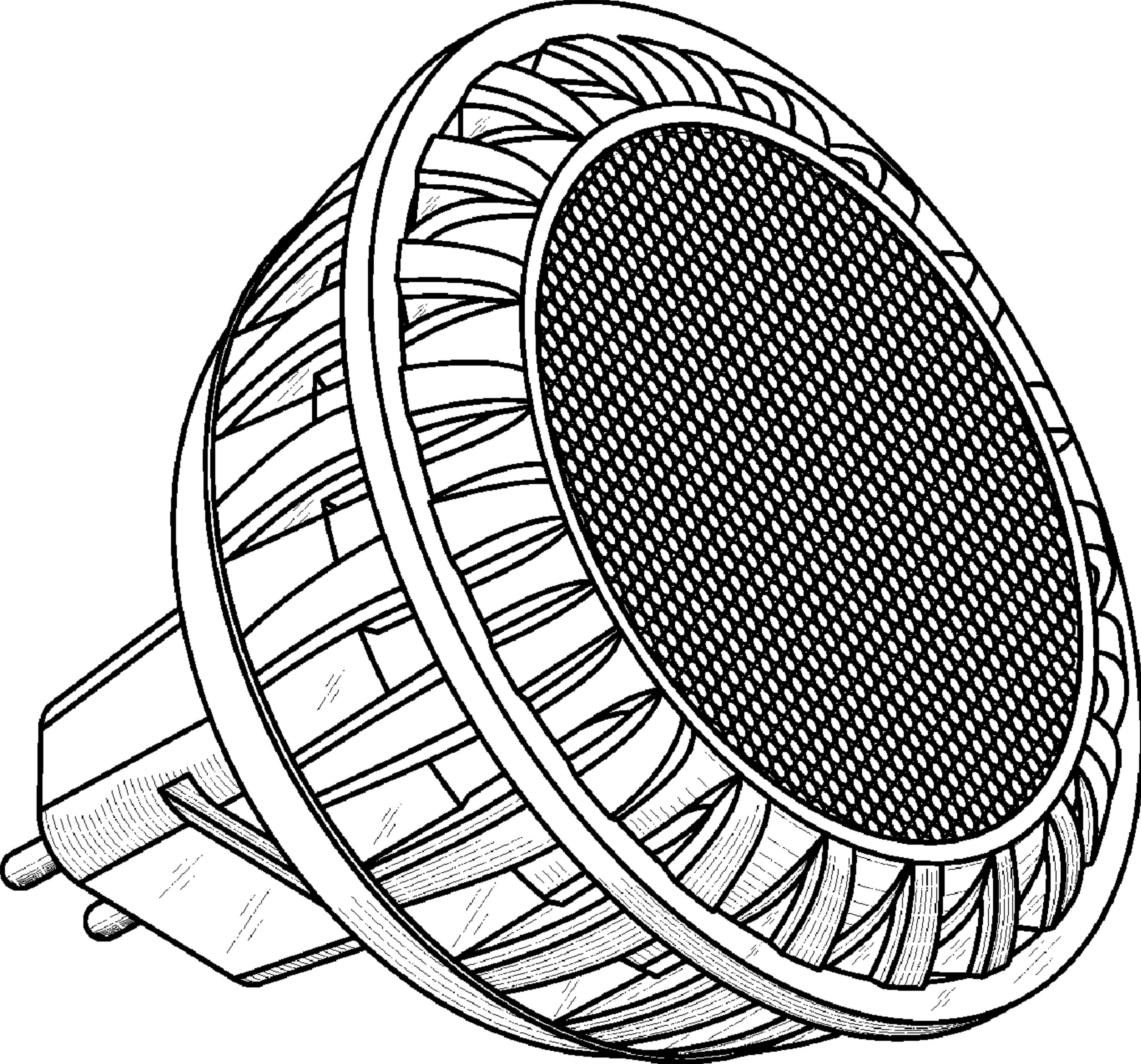


FIG 2

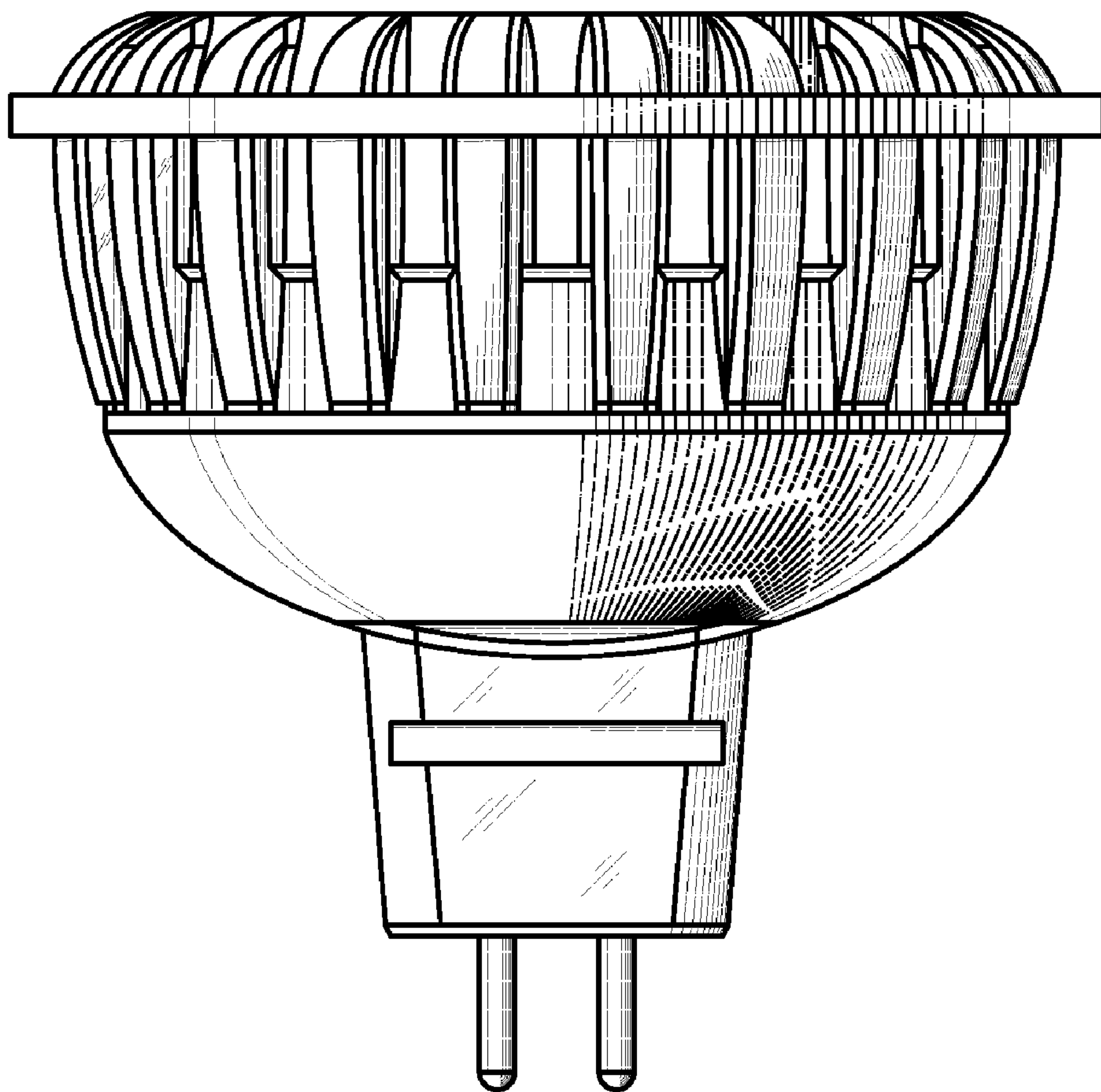




FIG 3

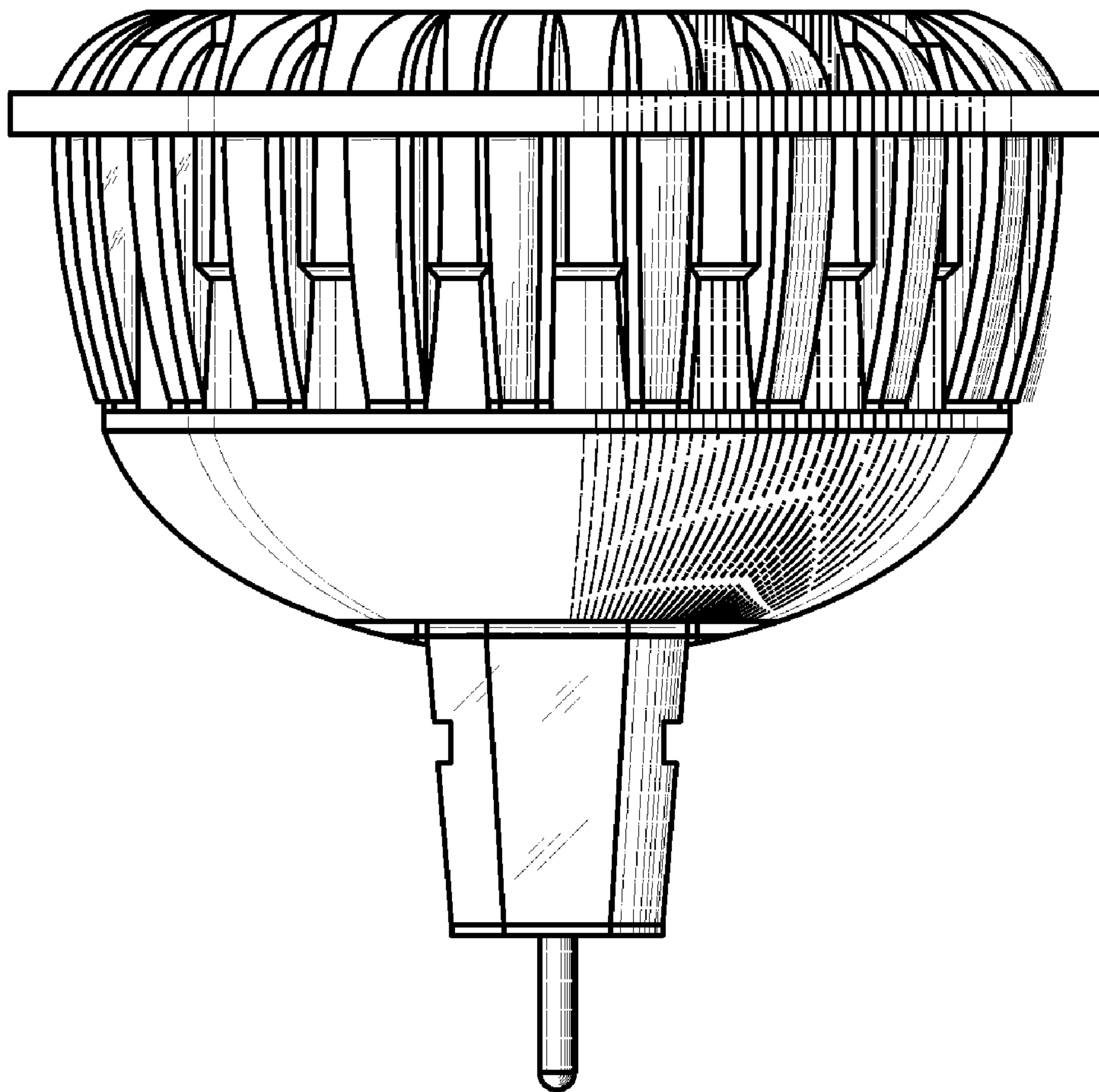


FIG 4

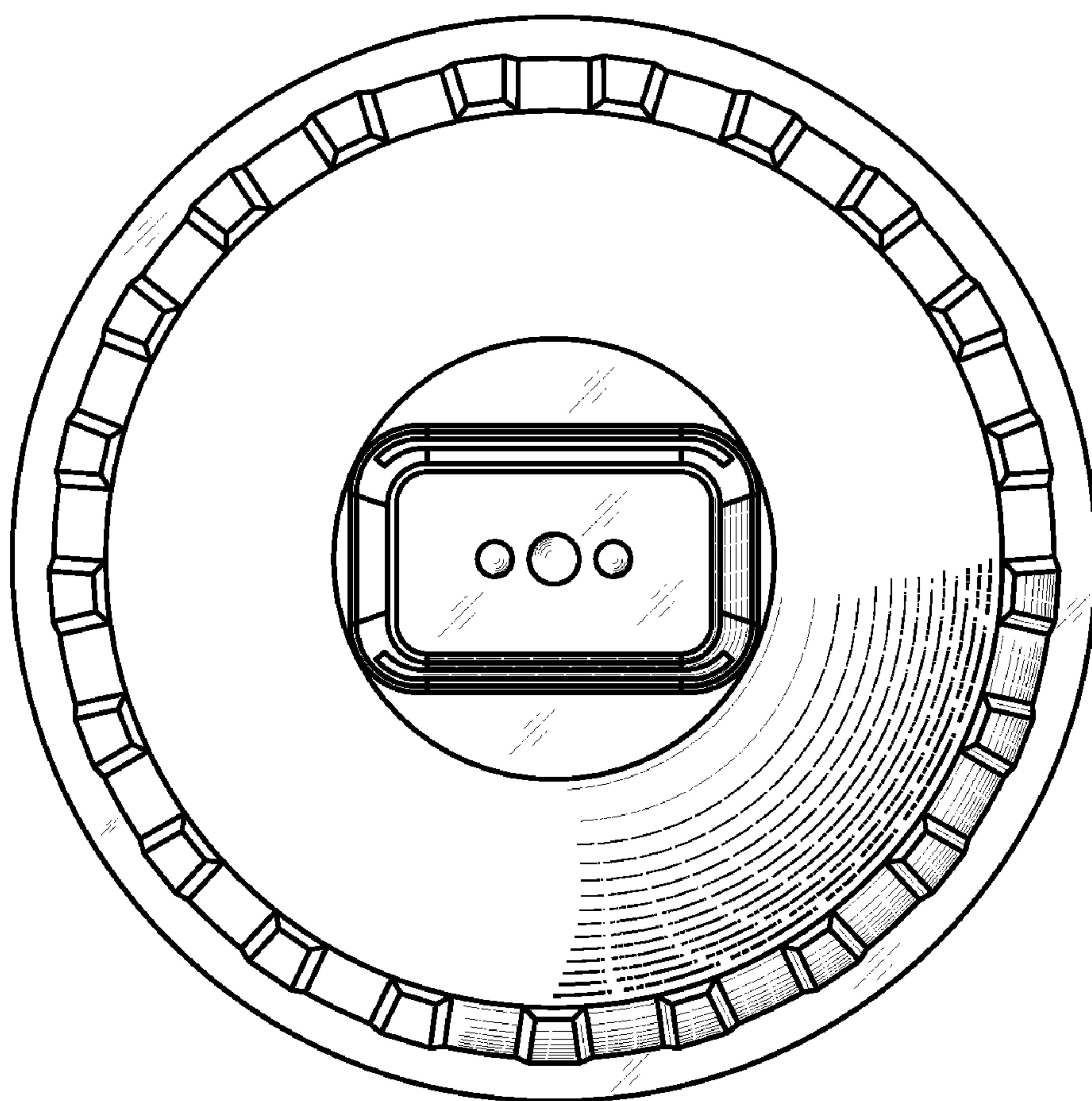


FIG 5

