



US00D648040S

(12) **United States Design Patent**  
**Hudson, Jr. et al.**

(10) **Patent No.:** **US D648,040 S**  
(45) **Date of Patent:** **\*\* Nov. 1, 2011**

(54) **TILE ROOF PANEL**  
(75) Inventors: **Willard C. Hudson, Jr.**, Southlake, TX (US); **James F. Sauter**, Cleburne, TX (US); **Kevin B. Pelka**, Lake Elsinore, CA (US); **Geoffrey S. Allan**, Arlington, TX (US); **Peter B. Richards**, Auckland (NZ); **David R. Painter**, North Shore Auckland (NZ)

4,731,969 A 3/1988 Baker et al.  
D331,812 S 12/1992 Bunger  
6,564,523 B1 5/2003 Iole et al.  
D478,179 S 8/2003 Fifield  
7,003,922 B2 \* 2/2006 Fifield ..... 52/302.1  
D595,431 S \* 6/2009 Day ..... D25/140  
7,845,141 B2 12/2010 Martinique  
2009/0223550 A1 9/2009 Curtin et al.

\* cited by examiner

*Primary Examiner* — Doris Clark

(73) Assignee: **Decra Roofing Systems, Inc.**, Arlington, TX (US)

(74) *Attorney, Agent, or Firm* — Baker & McKenzie LLP

(\*\*) Term: **14 Years**

(57) **CLAIM**

The ornamental design for a tile roof panel, as shown and described.

(21) Appl. No.: **29/397,299**

**DESCRIPTION**

(22) Filed: **Jul. 14, 2011**

**Related U.S. Application Data**

(62) Division of application No. 29/379,312, filed on Nov. 17, 2010, now Pat. No. Des. 644,342.

(51) **LOC (9) Cl.** ..... **25-01**

(52) **U.S. Cl.** ..... **D25/140; D25/139**

(58) **Field of Classification Search** ..... 126/621, 126/622, 623; 52/519, 526, 518, 536, 539, 52/541, 544; 125/139, 140

See application file for complete search history.

FIG. 1 is a perspective view of a tile roof panel in accordance with the embodiment of our design;  
FIG. 2 is another perspective view of the tile roof panel in accordance with the embodiment of our design;  
FIG. 3 is a top plan view of the tile roof panel in accordance with the embodiment of our design;  
FIG. 4 is a front elevation view of the tile roof panel in accordance with the embodiment of our design;  
FIG. 5 is a side elevation view of the tile roof panel in accordance with the embodiment of our design, the opposite side being a mirror image;  
FIG. 6 is a back elevation view of the tile roof panel in accordance with the embodiment of our design; and,  
FIG. 7 is a bottom plan view of the tile roof panel in accordance with the embodiment of our design.

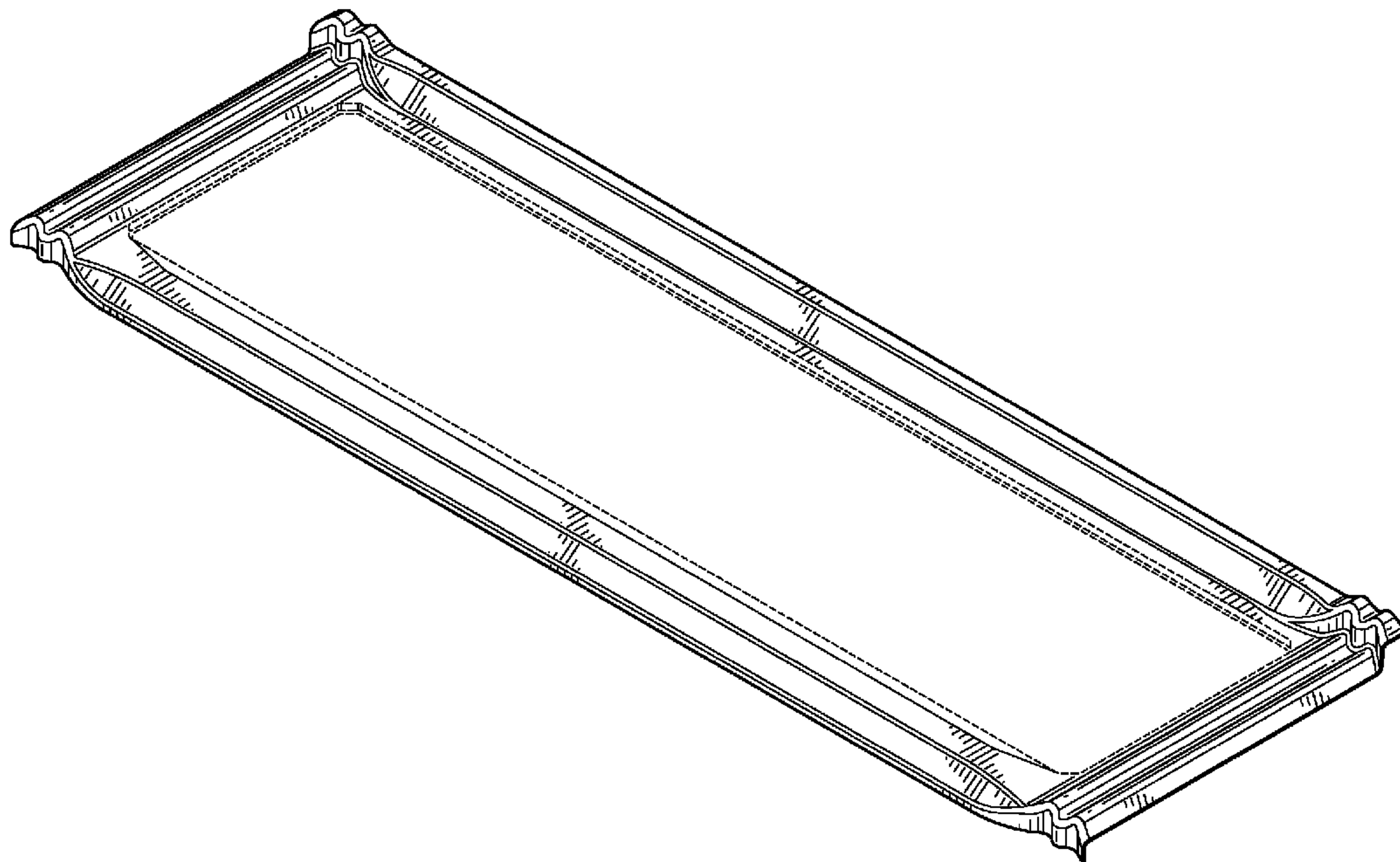
The broken lines showing environmental structure are for illustrative purposes and form no part of the claimed design.

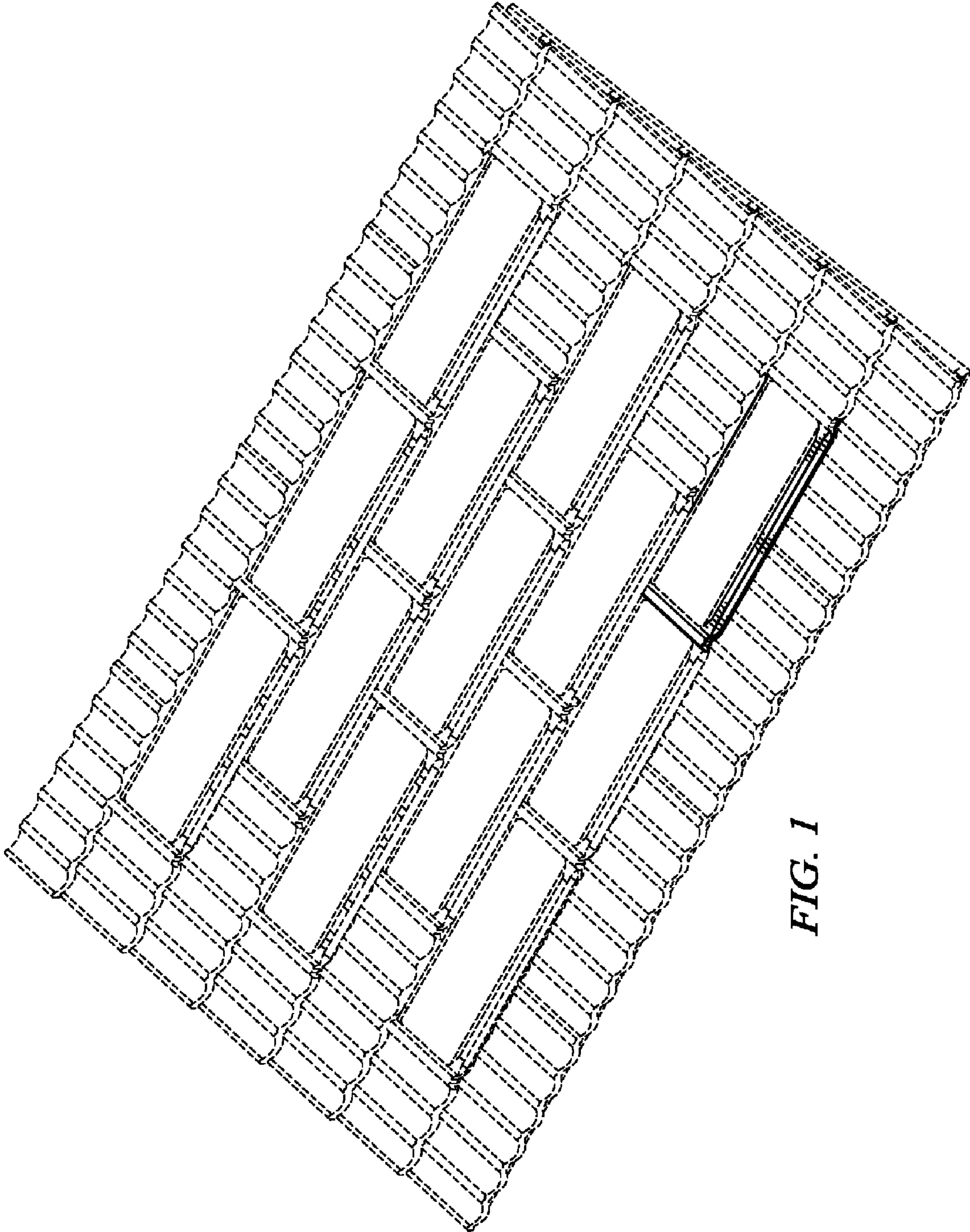
(56) **References Cited**

**U.S. PATENT DOCUMENTS**

734,976 A 7/1903 Simmerman  
3,114,218 A 12/1963 Macquere  
4,204,520 A 5/1980 Rosenberg  
4,244,355 A 1/1981 Stout  
4,606,164 A 8/1986 Mendez

**1 Claim, 4 Drawing Sheets**





*FIG. 1*



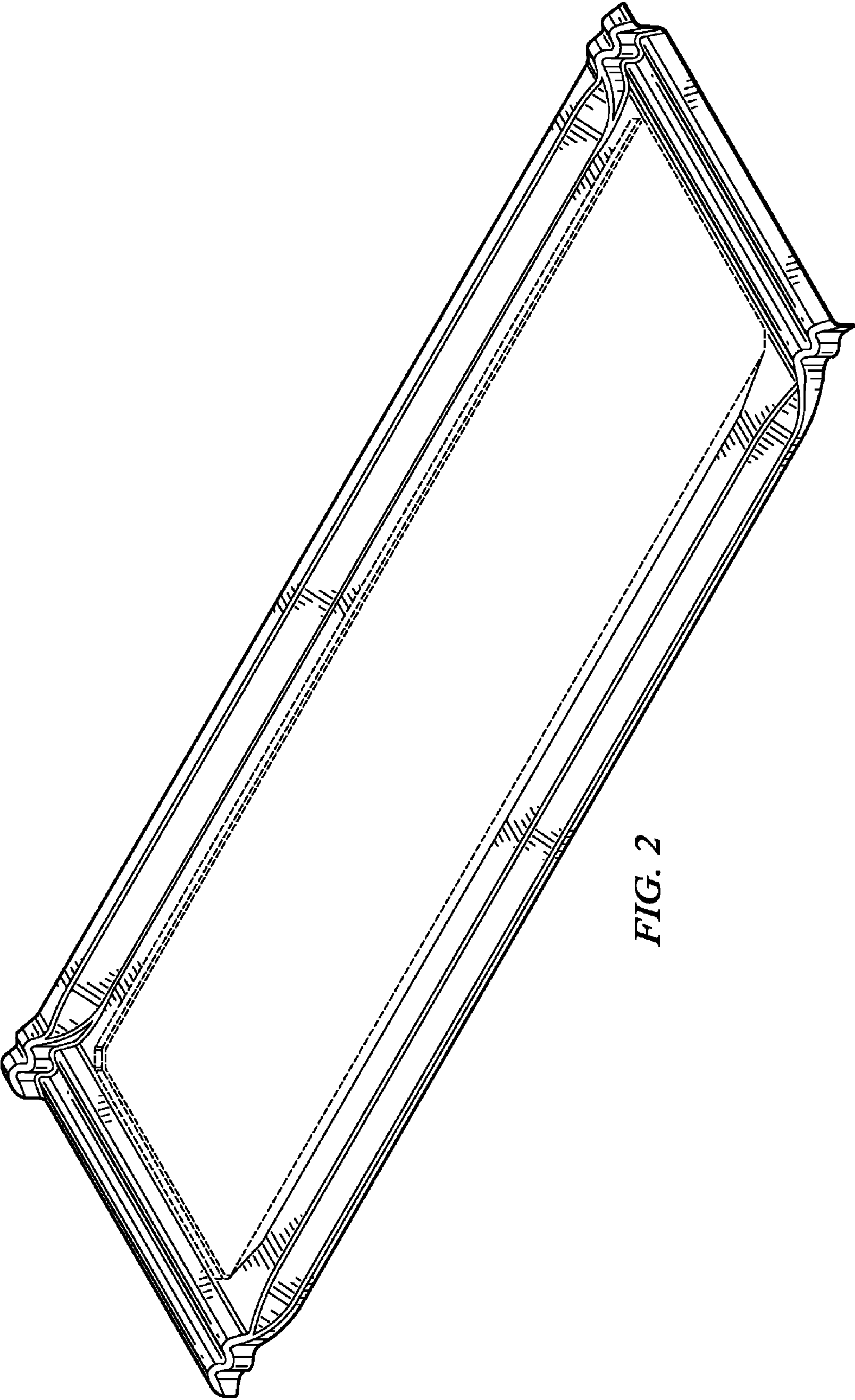


FIG. 2

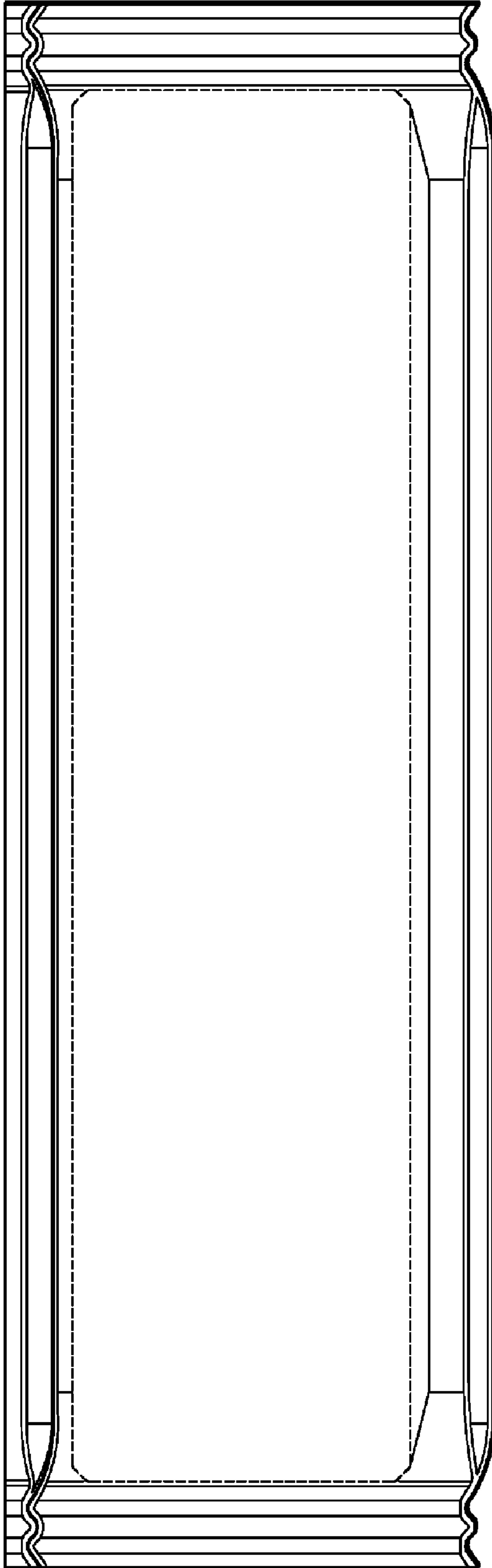


FIG. 3

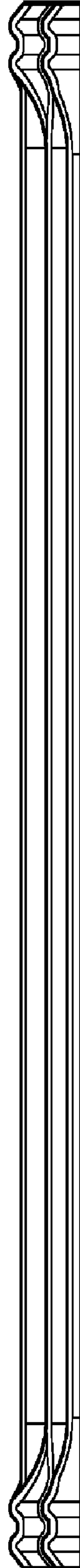


FIG. 4

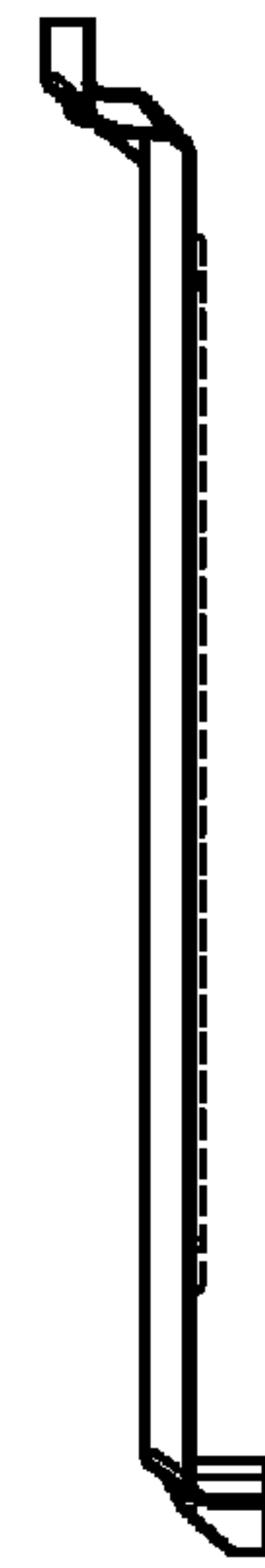
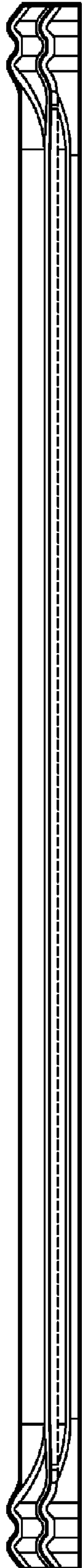
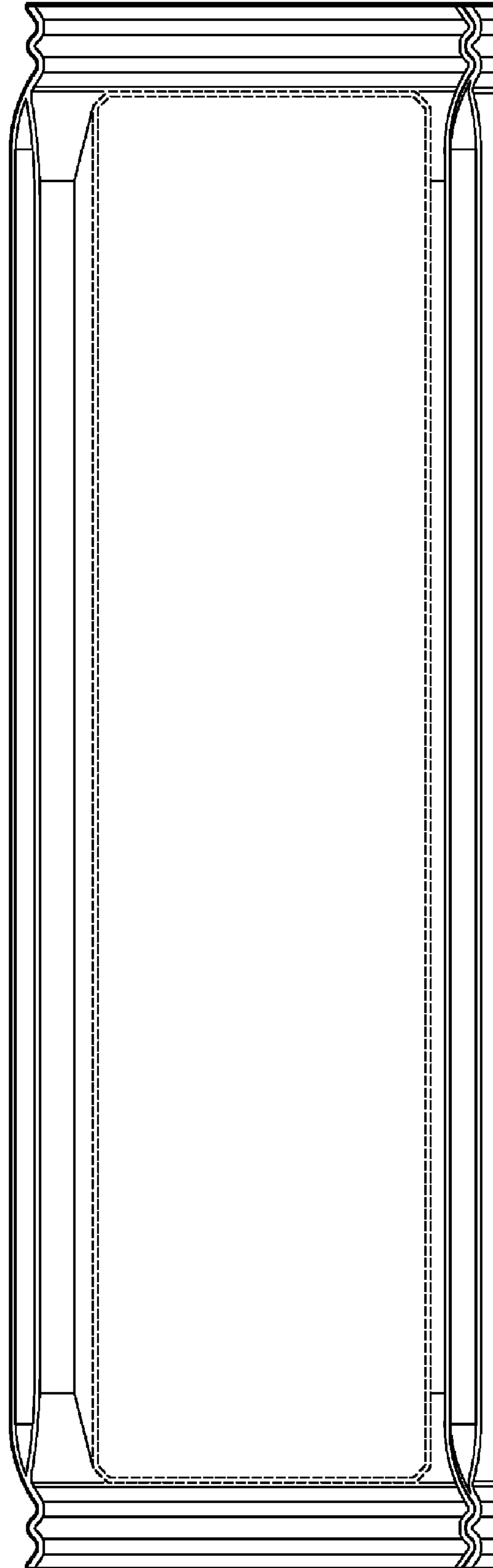


FIG. 5



*FIG. 6*



*FIG. 7*