



US00D648039S

(12) **United States Design Patent**
Seehof

(10) **Patent No.:** **US D648,039 S**

(45) **Date of Patent:** **** *Nov. 1, 2011**

(54) **ROLL UP DOOR WITH WAVY SURFACE LATH**

Primary Examiner — Doris Clark

(74) *Attorney, Agent, or Firm* — Dority & Manning, P.A.

(75) Inventor: **John J. Seehof**, Blythewood, SC (US)

(73) Assignee: **Hansen International, Inc.**, Lexington, SC (US)

(57) **CLAIM**

The ornamental design for a roll up door with wavy surface lath, as shown and described.

(**) Term: **14 Years**

(21) Appl. No.: **29/381,700**

DESCRIPTION

(22) Filed: **Dec. 22, 2010**

(51) **LOC (9) Cl.** **25-01**

(52) **U.S. Cl.** **D25/125; D25/48; D25/50**

(58) **Field of Classification Search** D25/48,
D25/50, 125, 49; 160/97, 98, 104, 238, 197,
160/201, 202, 235

See application file for complete search history.

FIG. 1 is a perspective view of a portion of a roll up door with wavy surface lath including six wavy surface laths according to the present design, it being understood that such door could include a different number of such laths;

FIG. 2 is a front view of the roll up door with wavy surface lath of FIG. 1;

FIG. 3 is a right side view of the roll up door with wavy surface lath of FIG. 1;

FIG. 4 is a left side view of the roll up door with wavy surface lath of FIG. 1;

FIG. 5 is a top view of the roll up door with wavy surface lath of FIG. 1;

FIG. 6 is a bottom view of the roll up door with wavy surface lath of FIG. 1; and,

FIG. 7 is a perspective view of one lath of the door of FIG. 1 showing the wavy surface.

The claimed design comprises the wavy surface elements shown in solid lines, the elements shown in dotted lines forming no part of the claimed design.

The claimed design is shown broken in the center with broken lines to indicate indeterminate length.

(56) **References Cited**

U.S. PATENT DOCUMENTS

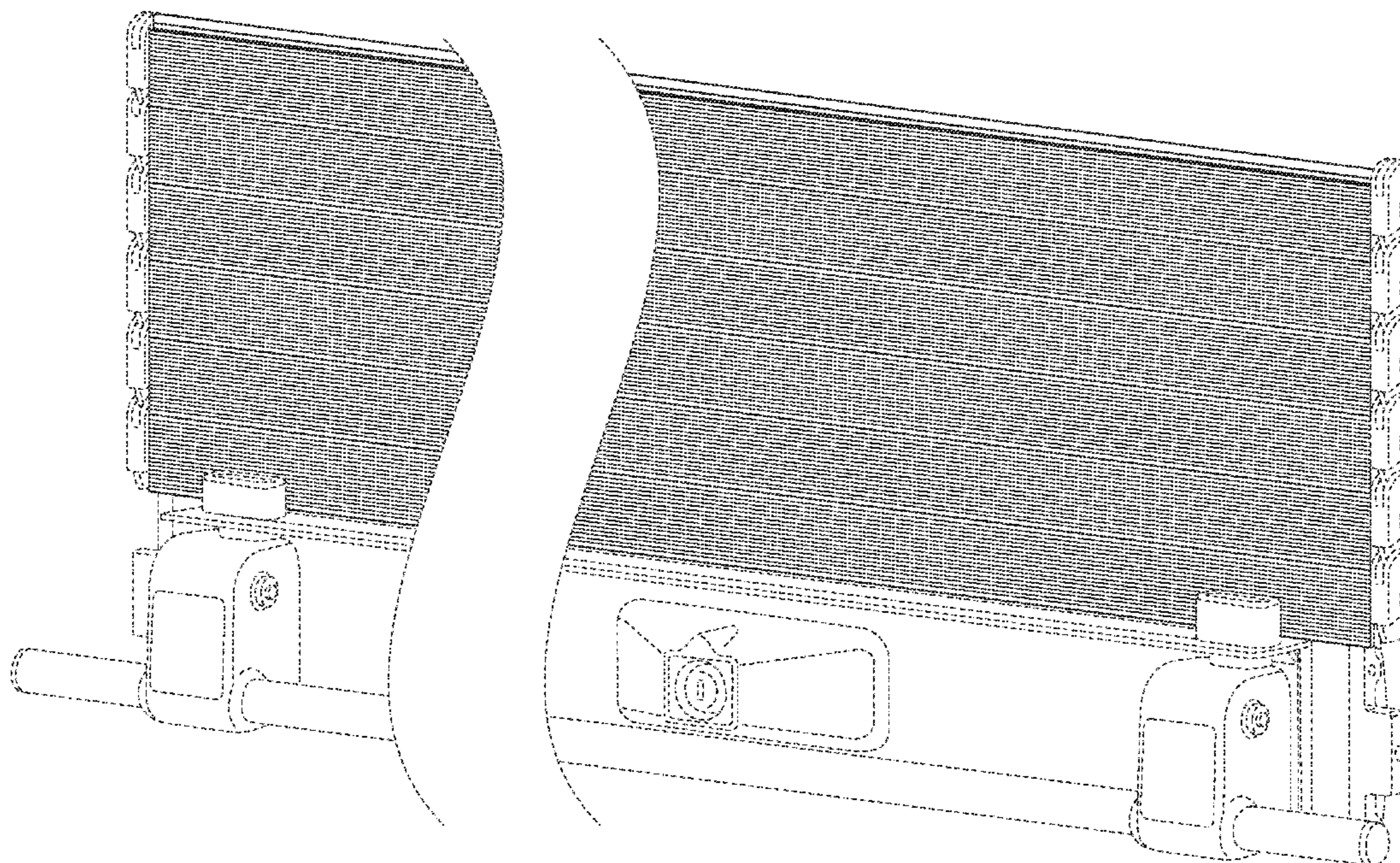
D286,433	S	*	10/1986	Greco	D25/50
D288,131	S	*	2/1987	Magro	D25/49
D305,068	S	*	12/1989	Greco	D25/50
D323,714	S	*	2/1992	Greco	D25/50
D331,916	S	*	12/1992	DuBrucq	D13/155
6,715,529	B2	*	4/2004	Farooq	160/133
7,100,665	B2	*	9/2006	Miller	160/235
D564,105	S	*	3/2008	Amato	D25/125
7,866,368	B2	*	1/2011	Ostrovsky et al.	160/201

OTHER PUBLICATIONS

Hansen International Product Catalog, 2008—3 pages.

* cited by examiner

1 Claim, 7 Drawing Sheets



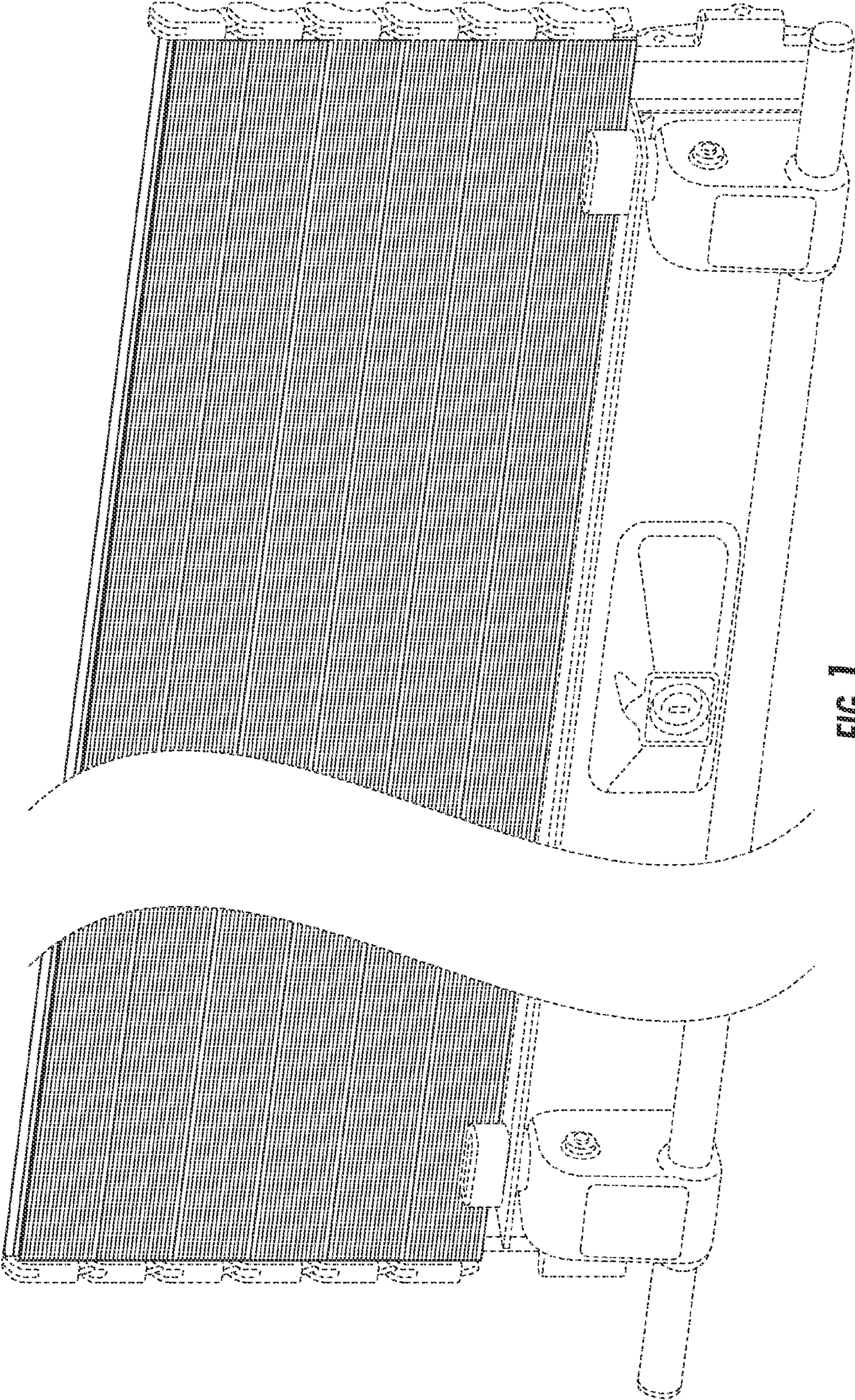


FIG. 1

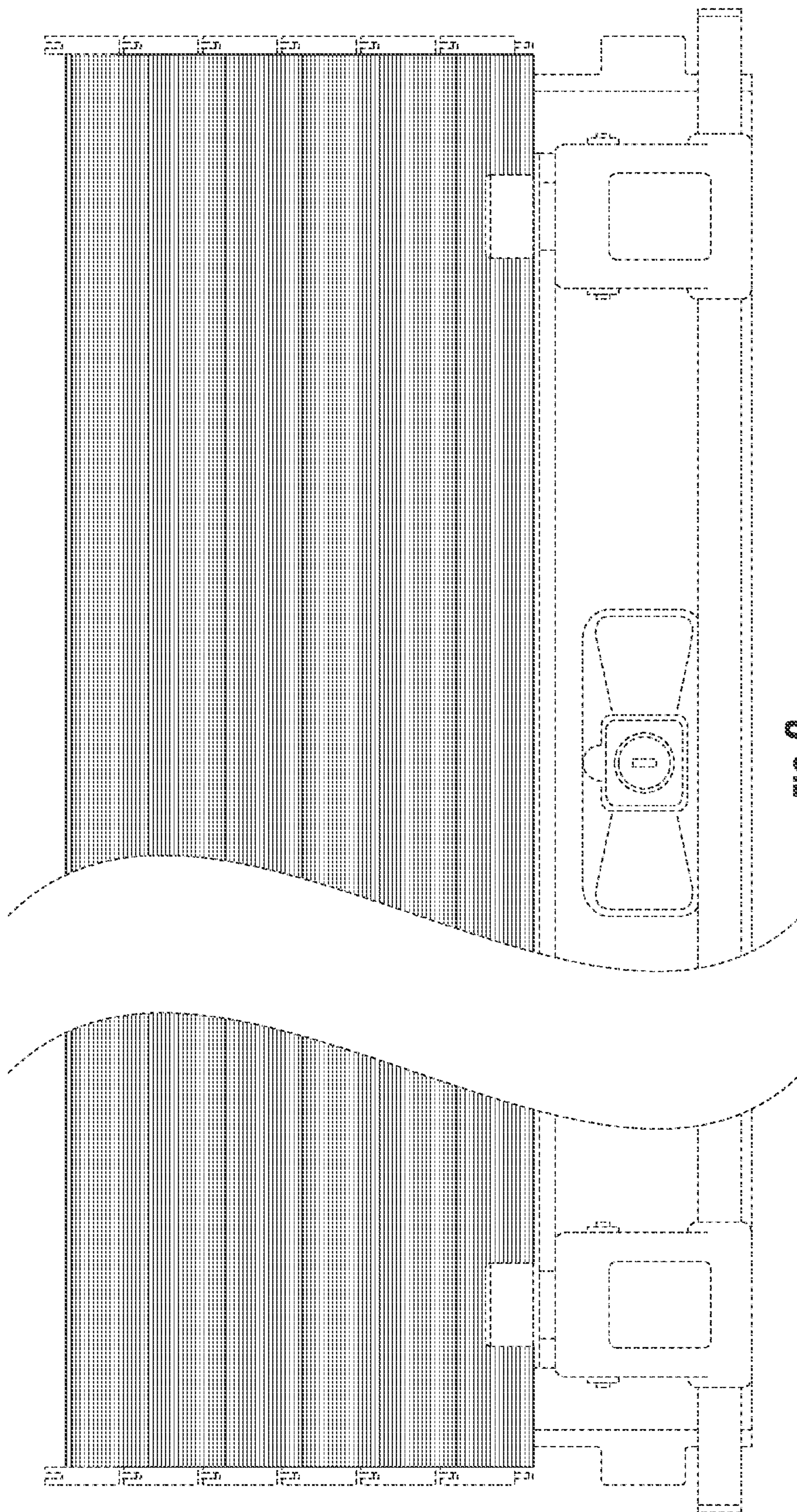


FIG. 2

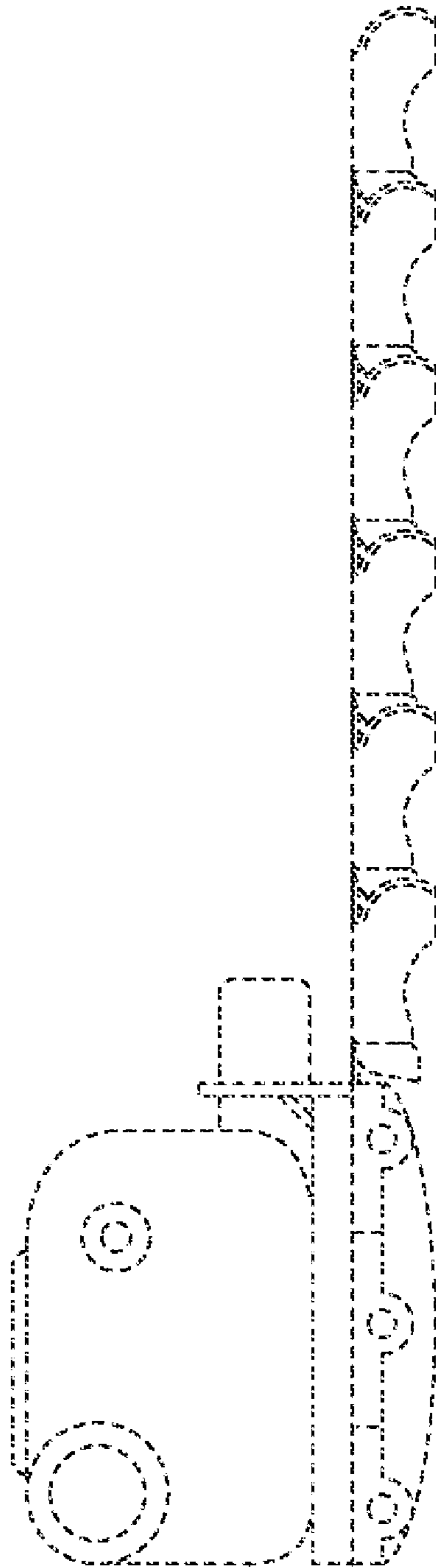


FIG. 3

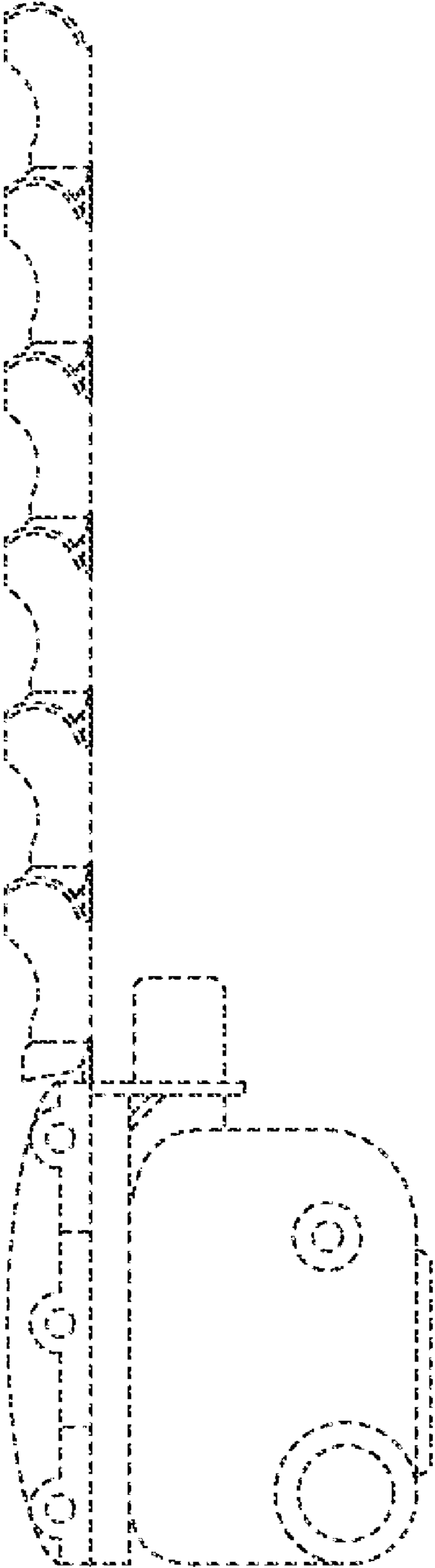


FIG. 4

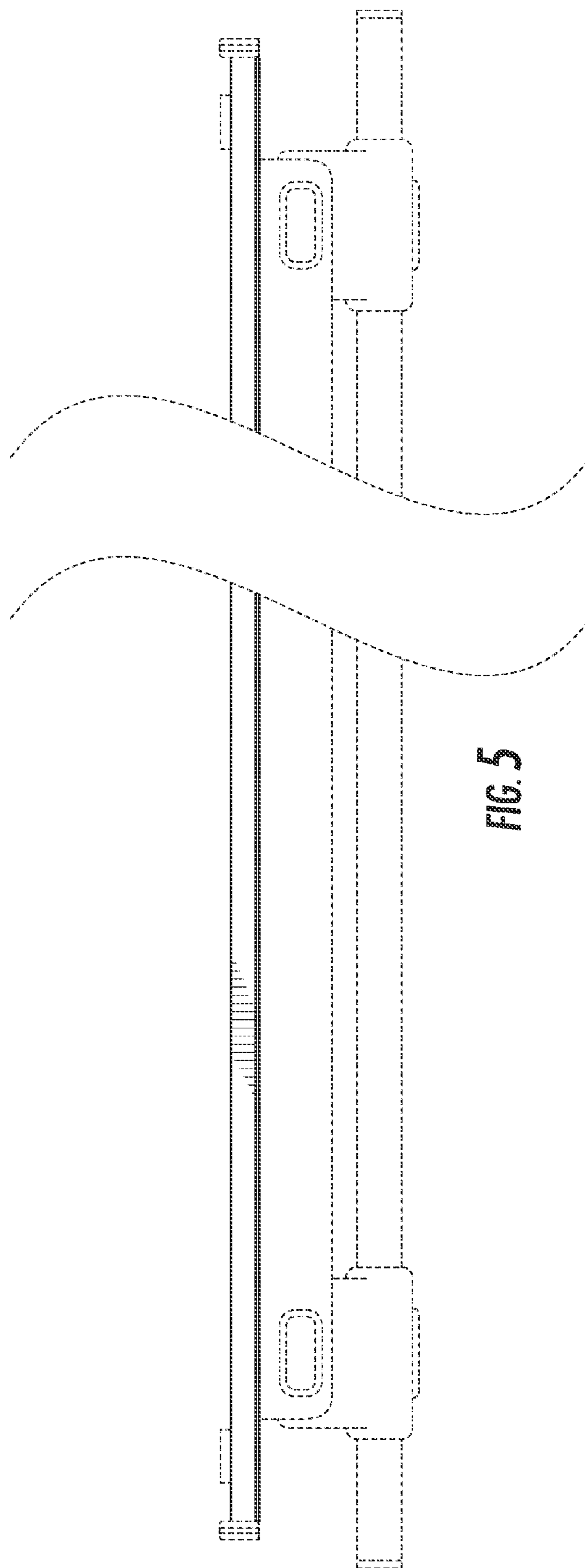
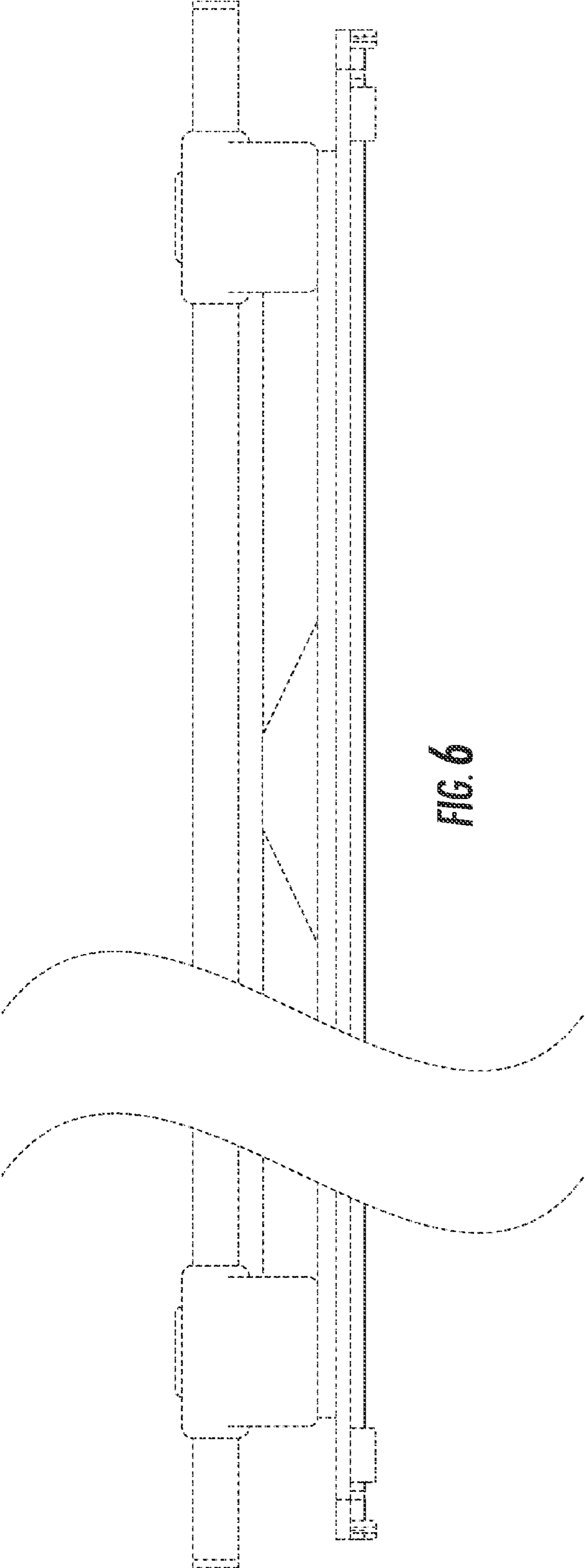


FIG. 5



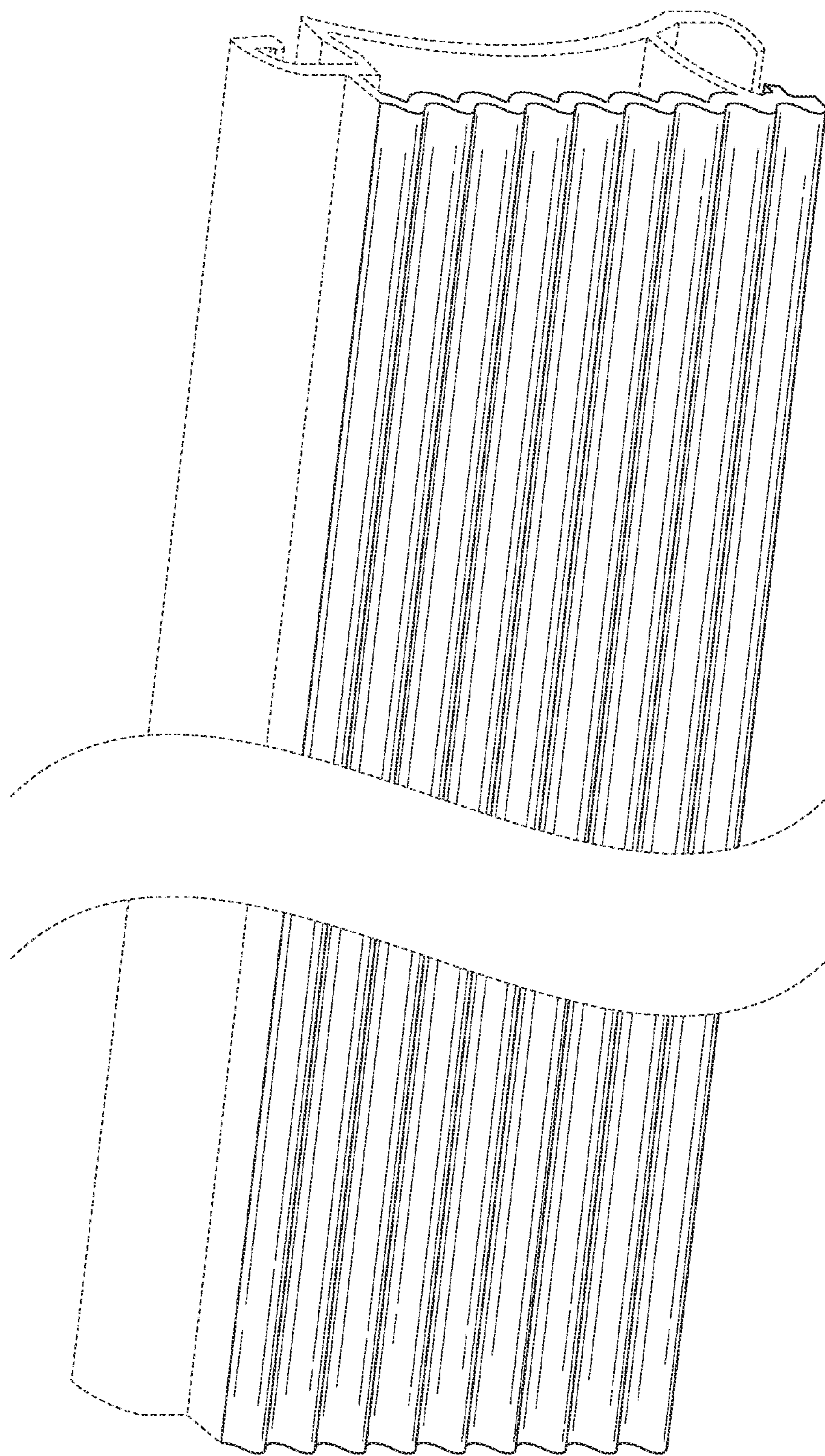


FIG. 7