



US00D648034S

(12) **United States Design Patent**  
**Rice**

(10) **Patent No.:** **US D648,034 S**

(45) **Date of Patent:** **\*\* Nov. 1, 2011**

(54) **BODY MASSAGE ROLLER PIN**

(76) Inventor: **David Rice**, San Diego, CA (US)

(\*\*) Term: **14 Years**

(21) Appl. No.: **29/390,159**

(22) Filed: **Apr. 20, 2011**

(51) **LOC (9) Cl.** ..... **28-03**

(52) **U.S. Cl.** ..... **D24/215**

(58) **Field of Classification Search** ..... D24/200,  
D24/211-215; 601/39, 40, 48, 52, 63, 68,  
601/72, 80, 112, 113, 120, 121, 125, 134,  
601/137, 138, DIG. 5, DIG. 14, DIG. 16,  
601/DIG. 17

See application file for complete search history.

(56) **References Cited**

U.S. PATENT DOCUMENTS

1,688,764	A	10/1928	Trankowski et al.	
2,221,785	A	11/1940	Douglas	
2,461,413	A	2/1949	Dirand	
D177,529	S *	4/1956	McDarmott	D24/212
3,664,334	A	5/1972	O'Neil	
D248,493	S	7/1978	Moncrief	
D249,551	S	9/1978	Greenawalt	
D253,373	S *	11/1979	Celeste	D24/212
D269,375	S	6/1983	Masuda	
D271,051	S	10/1983	McCoy et al.	
4,433,683	A *	2/1984	McCoy et al.	601/120
4,712,539	A *	12/1987	Kim	601/120
4,945,900	A	8/1990	Masuda	
D320,860	S	10/1991	Sue	

D337,827	S *	7/1993	Seng	D24/211
D345,610	S	3/1994	Shih	
D347,898	S *	6/1994	Belcher	D24/211
D371,202	S	6/1996	Zajas et al.	
5,575,760	A	11/1996	Masuda	
5,577,996	A *	11/1996	Gardner et al.	601/120
D381,754	S	7/1997	Fani	
D398,400	S	9/1998	Havelind	
5,868,689	A	2/1999	Faroky et al.	
D445,905	S	7/2001	Hey	
6,267,738	B1	7/2001	Louis	
D446,308	S *	8/2001	Schmitmeyer	D24/200
D446,584	S *	8/2001	Chen	D24/211
D448,851	S *	10/2001	Louis	D24/211
6,398,694	B1	6/2002	Bountourakis	
D475,464	S *	6/2003	Chen	D24/211
D477,414	S *	7/2003	Chen	D24/211
D495,422	S	8/2004	Chen	
2008/0103421	A1	5/2008	Nicholson	

\* cited by examiner

*Primary Examiner* — Sandra Snapp

(74) *Attorney, Agent, or Firm* — George Levy

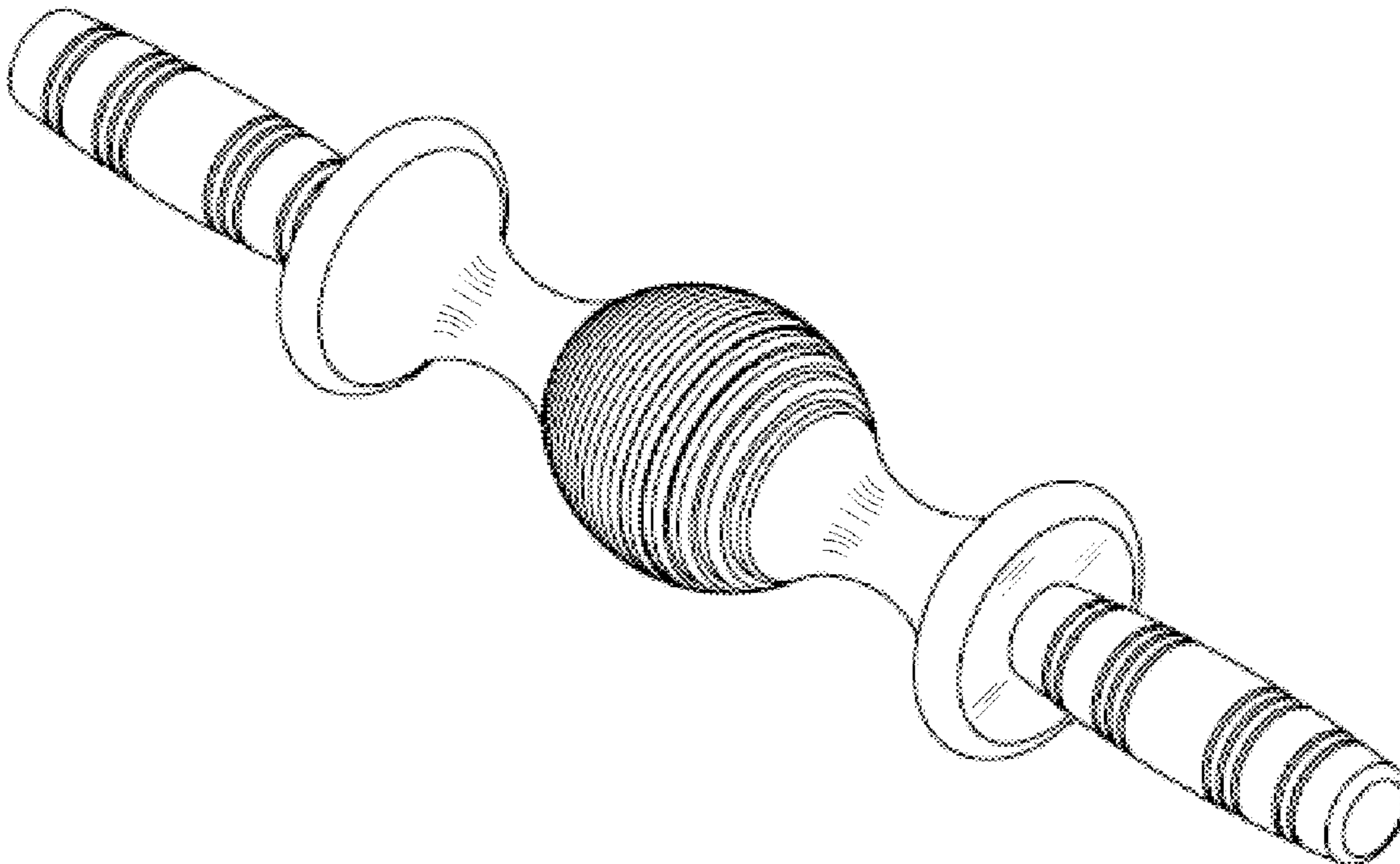
(57) **CLAIM**

The ornamental design for a body massage roller pin, as shown and described.

**DESCRIPTION**

FIG. 1 a perspective view of a body massage roller pin. FIG. 2 is a frontal view of the body massage pin shown in FIG. 1; and, FIG. 3 is a side view of the body massage roller illustrated in FIG. 1.

**1 Claim, 3 Drawing Sheets**



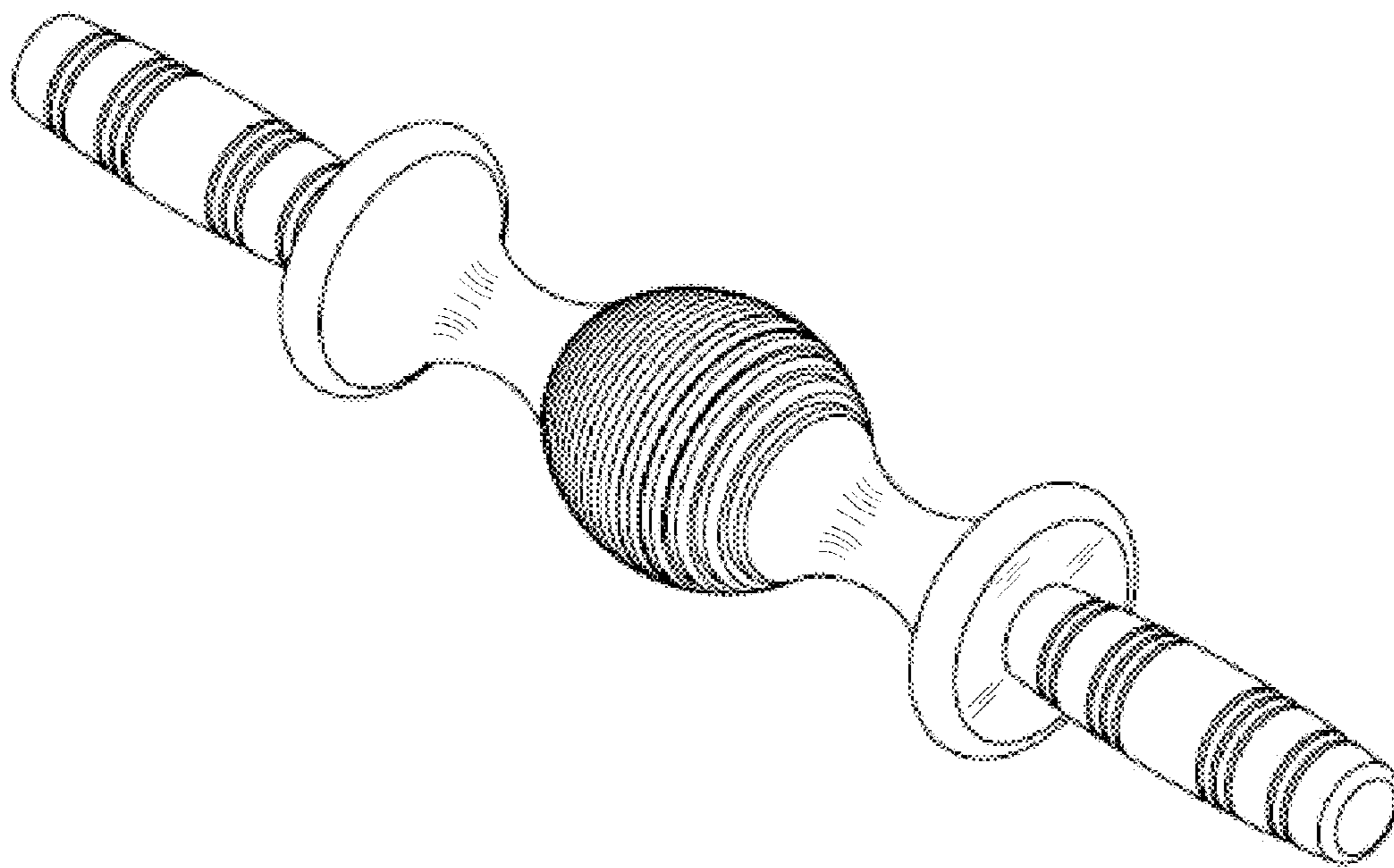


FIG. 1

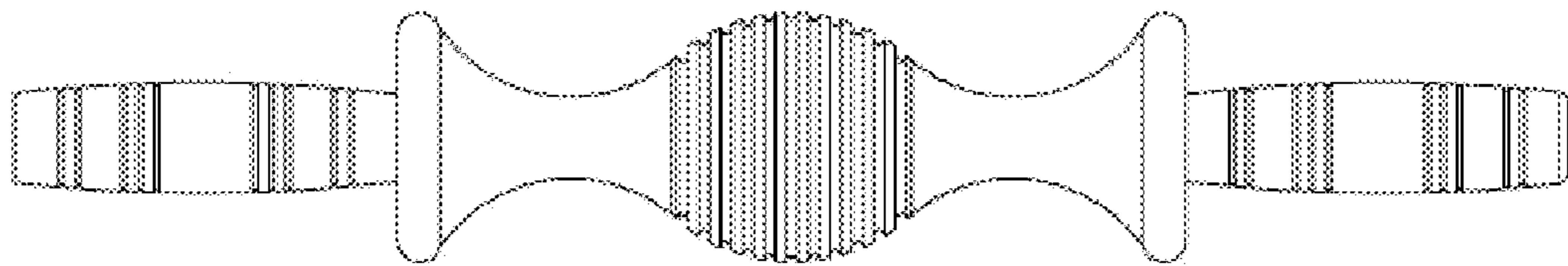


FIG. 2

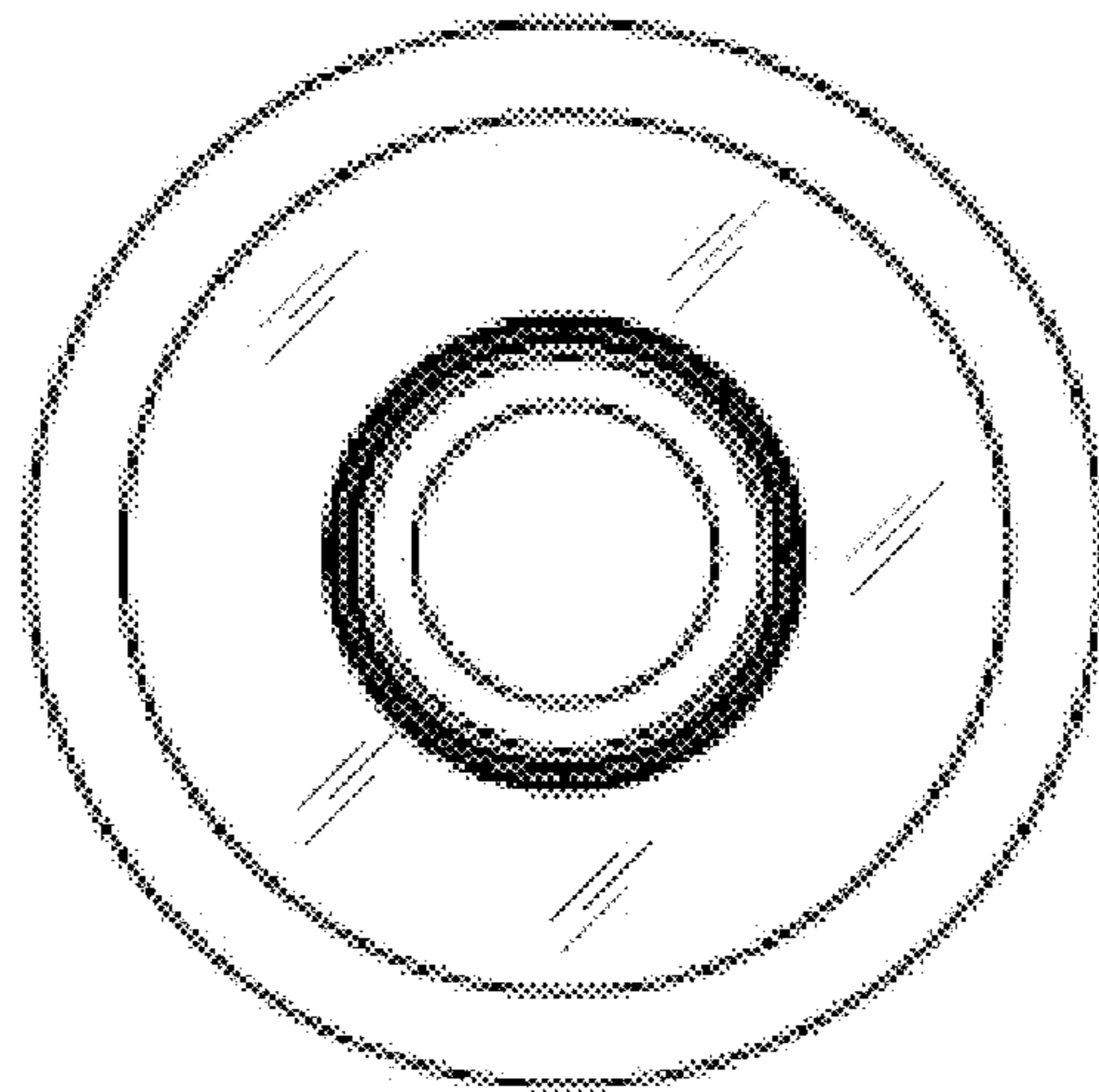


FIG. 3