



US00D648032S

(12) **United States Design Patent**
Schon

(10) **Patent No.:** **US D648,032 S**
(45) **Date of Patent:** **** Nov. 1, 2011**

(54) **ANESTHESIA MACHINE**

(75) Inventor: **Peter Schon**, New York, NY (US)

(73) Assignee: **Mindray DS USA, Inc.**, Mahwah, NJ (US)

(**) Term: **14 Years**

(21) Appl. No.: **29/384,190**

(22) Filed: **Jan. 27, 2011**

Related U.S. Application Data

(62) Division of application No. 29/376,673, filed on Oct. 9, 2010, now Pat. No. Des. 634,016.

(51) **LOC (9) Cl.** **24-01**

(52) **U.S. Cl.** **D24/186**

(58) **Field of Classification Search** D24/107-108,
D24/156, 176-177, 185-186, 221, 110-111;
600/301, 481, 483-485, 509, 513, 519, 544;
433/80; D10/81, 104; D15/7, 9; 604/131,
604/151, 152, 232; 128/204.22, 204.23;
607/134

See application file for complete search history.

(56) **References Cited**

U.S. PATENT DOCUMENTS

| | | | | | | |
|-----------|---|---|---------|----------------|-------|------------|
| D248,405 | S | * | 7/1978 | Leong | | D24/111 |
| 4,150,670 | A | * | 4/1979 | Jewett et al. | | 128/204.22 |
| 4,676,257 | A | * | 6/1987 | Halpern | | 607/134 |
| D312,307 | S | * | 11/1990 | Leibson et al. | | D24/186 |
| D315,950 | S | * | 4/1991 | Lundy | | D24/108 |
| D375,158 | S | * | 10/1996 | Milani et al. | | D24/110 |
| 5,778,874 | A | * | 7/1998 | Maguire et al. | | 128/205.23 |
| D423,665 | S | * | 4/2000 | Herbst et al. | | D24/107 |
| D451,596 | S | * | 12/2001 | Baczkowski | | D24/107 |

| | | | | | | |
|----------|---|---|---------|------------------|-------|---------|
| D459,799 | S | * | 7/2002 | Stromberg et al. | | D24/107 |
| D471,271 | S | * | 3/2003 | Stromberg et al. | | D24/107 |
| D566,265 | S | * | 4/2008 | Hochman et al. | | D24/107 |
| D579,540 | S | * | 10/2008 | Hochman et al. | | D24/107 |

* cited by examiner

Primary Examiner — T. Chase Nelson

Assistant Examiner — Mark Cavanna

(74) *Attorney, Agent, or Firm* — Kory D. Christensen; Stoel Rives LLP

(57) **CLAIM**

The ornamental design for an anesthesia machine, as shown and described.

DESCRIPTION

© 2010 Mindray DS USA, Inc. A portion of the disclosure of this patent document contains material to which a claim for copyright is made. The copyright owner has no objection to the facsimile reproduction by anyone of the patent document or the patent disclosure, as it appears in the file or records of the U.S. Patent and Trademark Office, but reserves all other copyright rights whatsoever.

FIG. 1 is a front perspective view of an anesthesia machine, showing my new design;

FIG. 2 is another front perspective view thereof;

FIG. 3 is a front elevation view thereof;

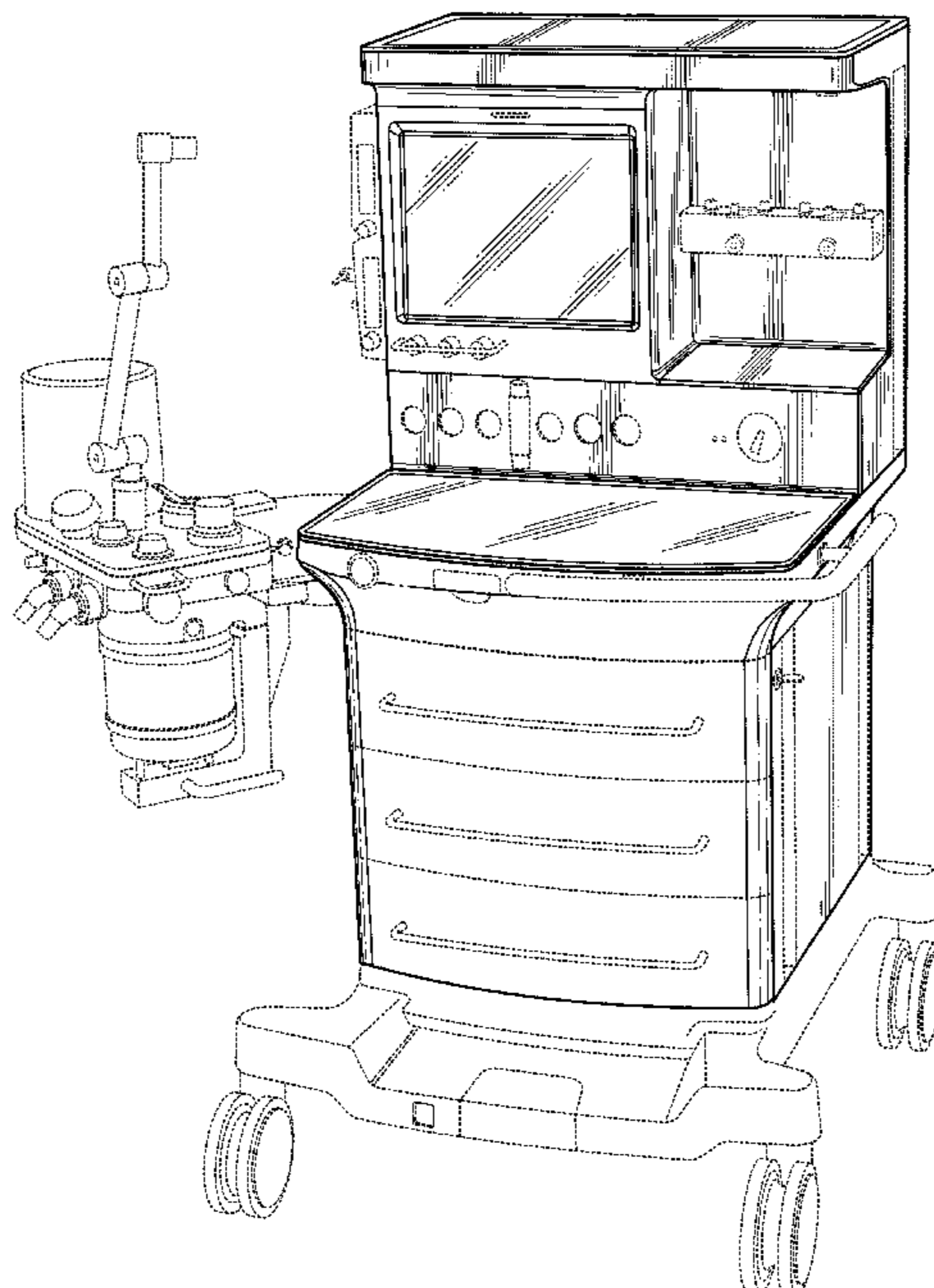
FIG. 4 is a right side elevation view thereof;

FIG. 5 is a left side elevation view thereof; and,

FIG. 6 is a top plan view thereof.

The broken lines immediately adjacent the shaded areas represent the bounds of the claimed design, while all other broken lines are directed to environment and are for illustrative purposes only; the broken lines form no part of the claimed design.

1 Claim, 6 Drawing Sheets



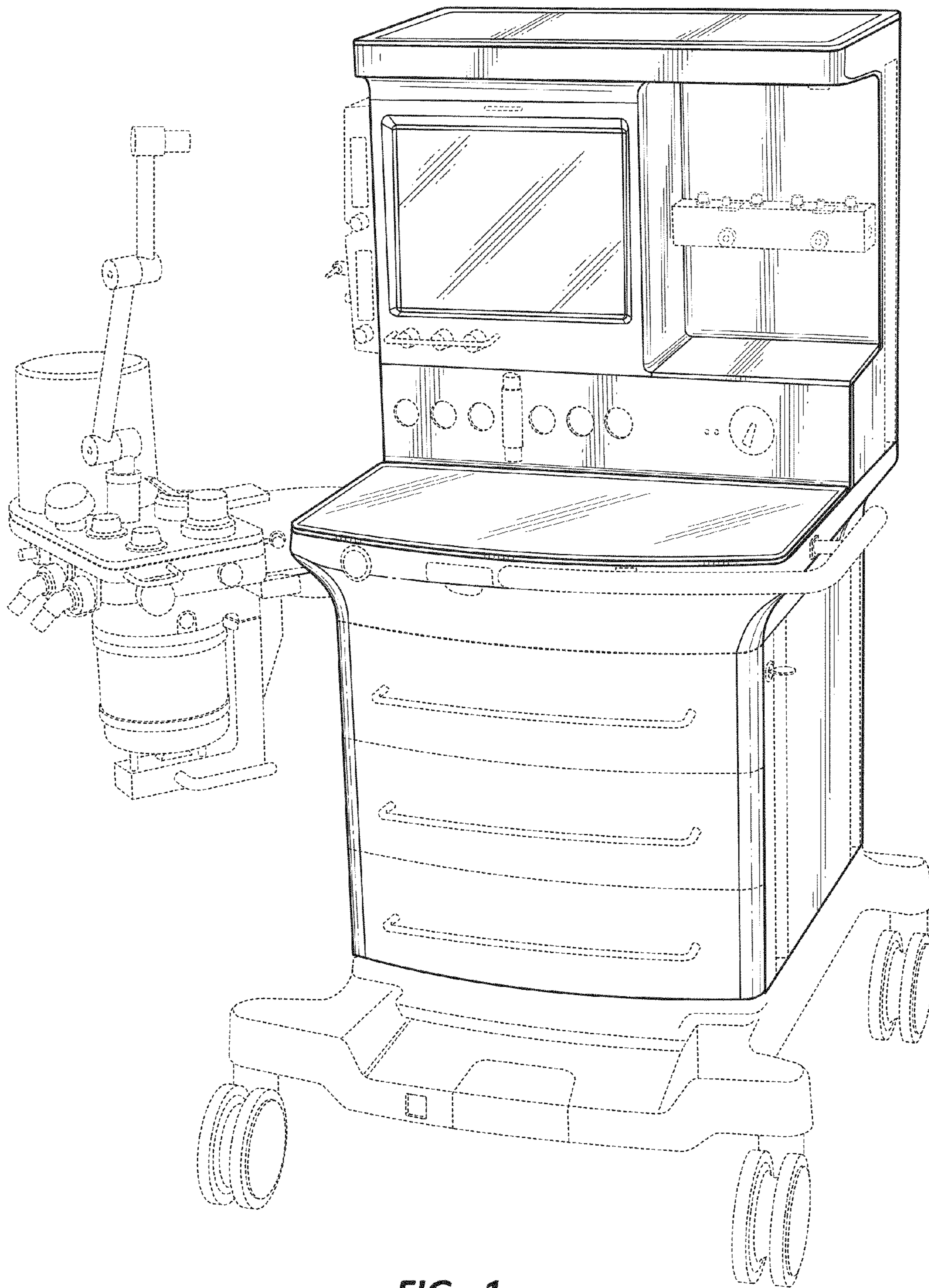


FIG. 1

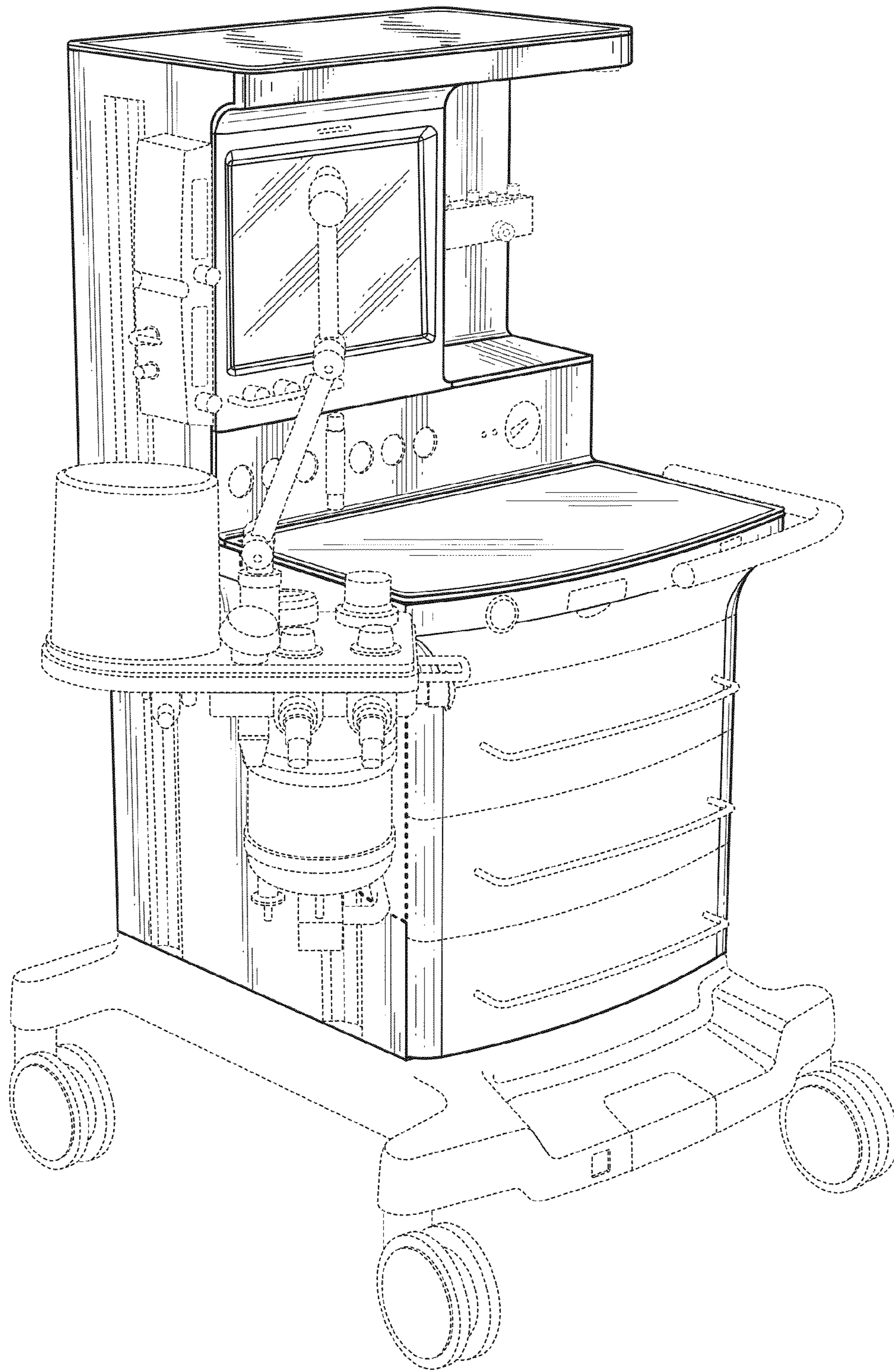


FIG. 2

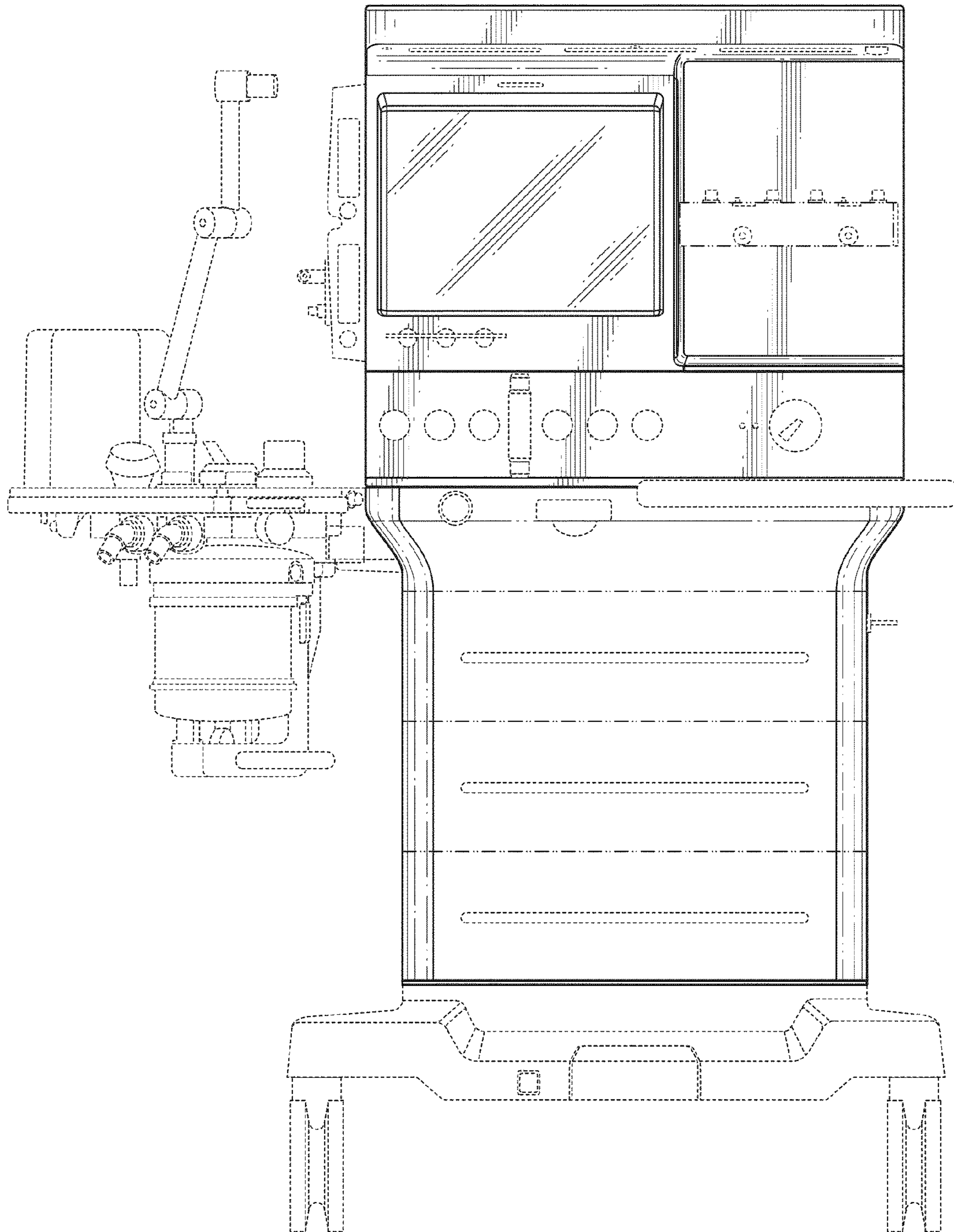


FIG. 3

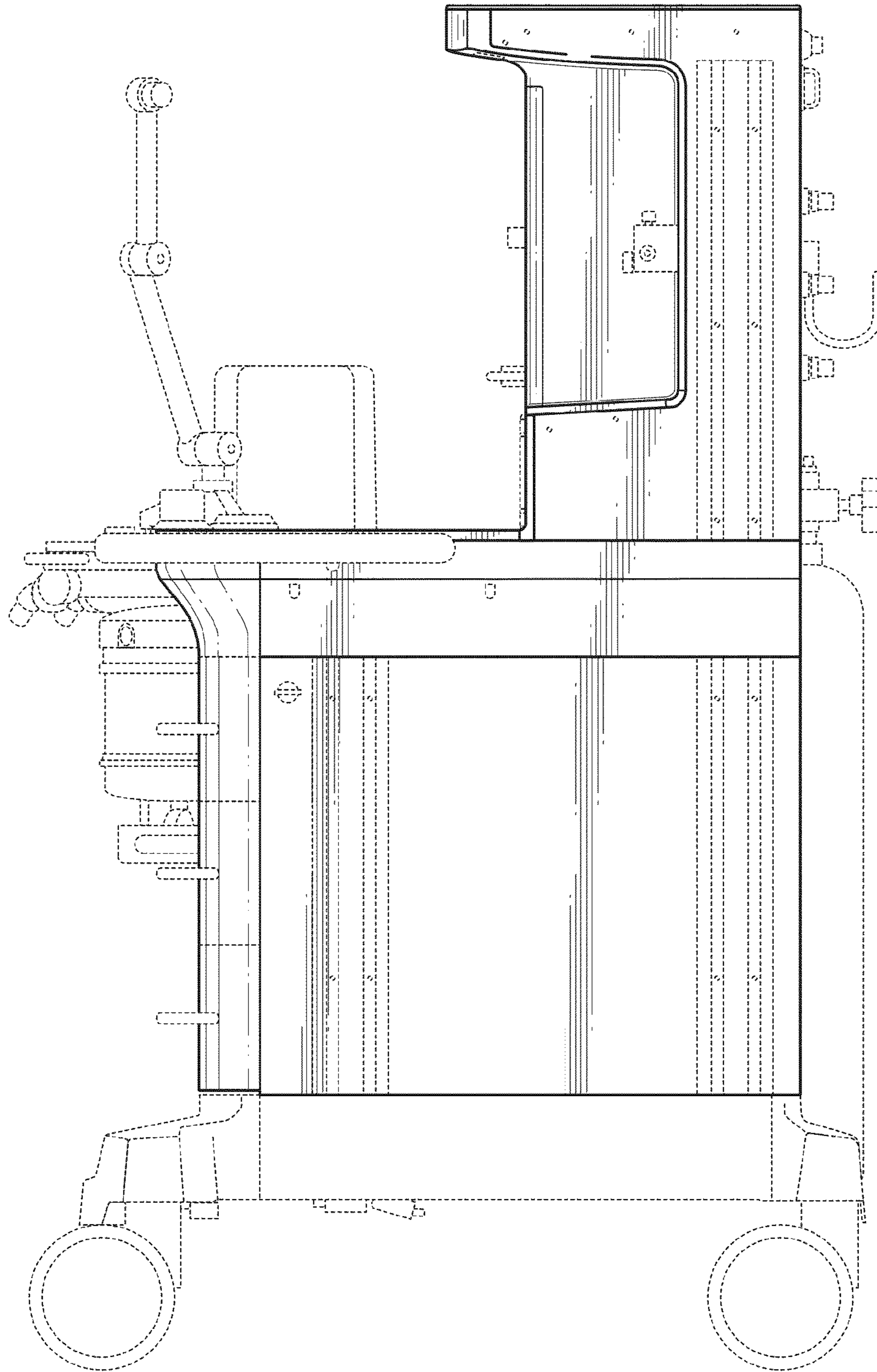


FIG. 4

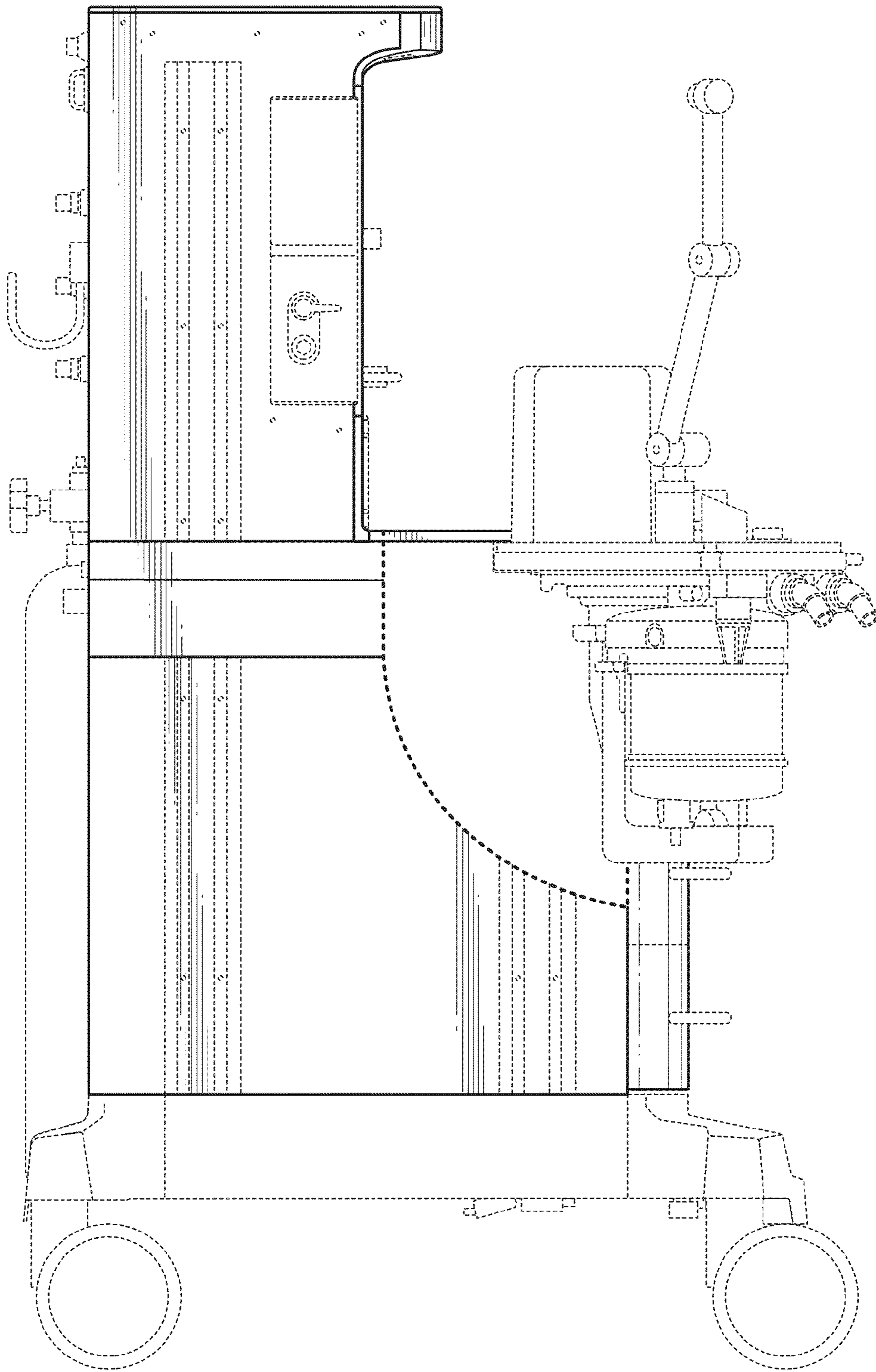


FIG. 5

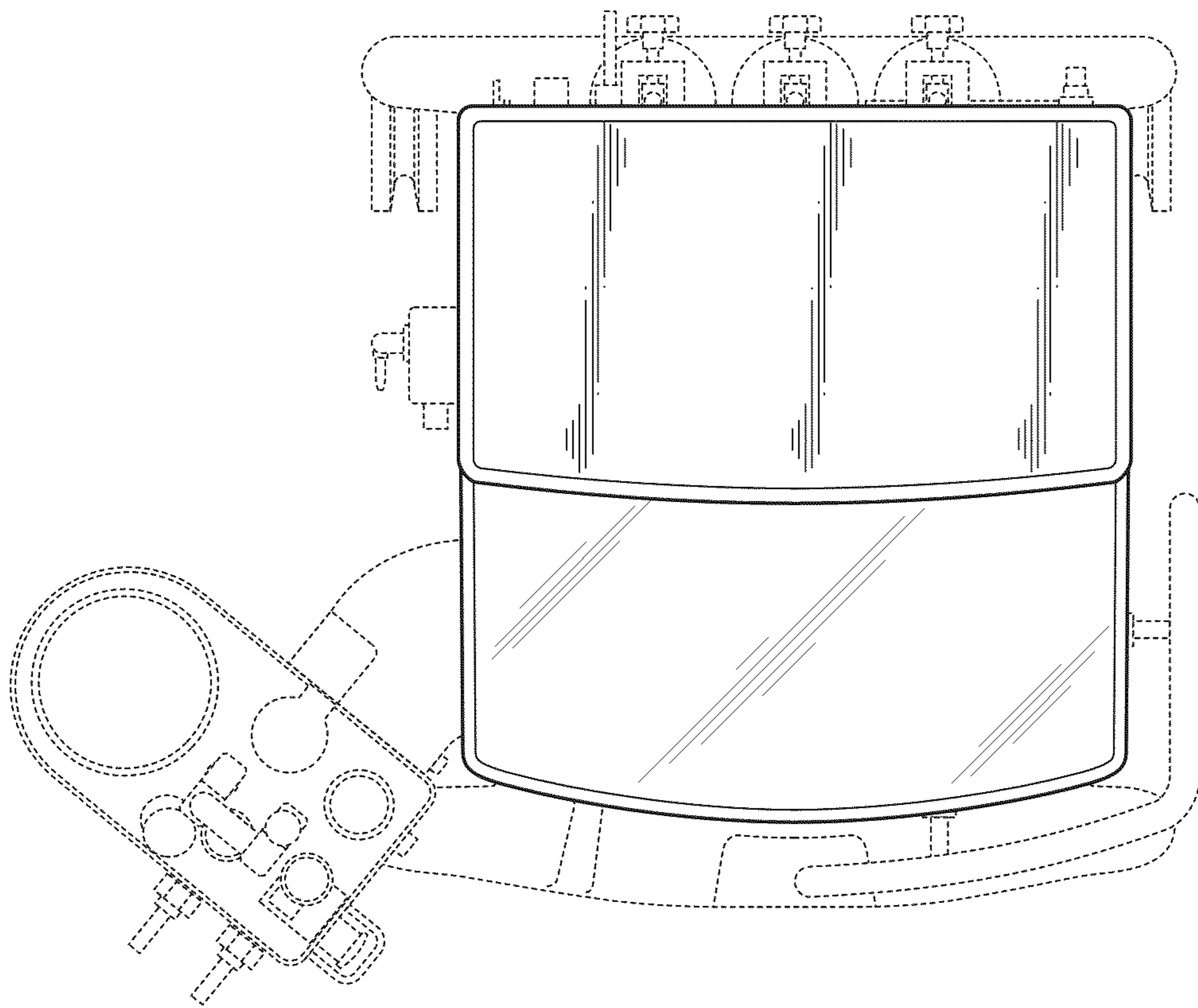


FIG. 6