



US00D648031S

(12) **United States Design Patent**
Roggenkamp

(10) **Patent No.:** **US D648,031 S**

(45) **Date of Patent:** **** Nov. 1, 2011**

(54) **SLEEP AID**

(76) **Inventor:** **Kelly D. Roggenkamp**, Georgetown, IN (US)

(**) **Term:** **14 Years**

(21) **Appl. No.:** **29/383,780**

(22) **Filed:** **Jan. 21, 2011**

(51) **LOC (9) Cl.** **24-01**

(52) **U.S. Cl.** **D24/184; D8/366**

(58) **Field of Classification Search** D24/110, D24/110.1, 127-128, 171, 183-184, 190-191, D24/206, 231; D6/323, 411; D8/37, 40, D8/363, 365-367, 349, 394-395, 380-381, D8/371-373, 353-354, 404; D12/51, 126, D12/223; D21/662, 789; D23/441; 248/15, 248/208, 210, 220.22, 243, 265, 267; D34/35; D25/119, 126, 131-132, 68; 52/426, 506.06, 52/506.07, 686-687; D9/447; D14/432; D26/138

See application file for complete search history.

(56) **References Cited**

U.S. PATENT DOCUMENTS

2,284,058	A	5/1942	Kaiser et al.	
2,528,370	A	10/1950	Johnston	
D270,574	S *	9/1983	Black	D25/68
D274,803	S *	7/1984	Hughes	D12/126
4,700,697	A	10/1987	Mundell et al.	
4,782,824	A	11/1988	Davies	
D310,520	S *	9/1990	Bedard	D14/432
D360,544	S *	7/1995	Gauthier	D6/411
D367,220	S *	2/1996	Bush	D8/373
D407,821	S *	4/1999	Steele	D24/190
D409,077	S *	5/1999	Brooks	D8/354
D410,089	S *	5/1999	Schiavoni	D24/191
6,231,535	B1	5/2001	Mainiero et al.	
D468,019	S *	12/2002	Slautterback	D24/190
D487,122	S *	2/2004	Farris, Jr.	D21/662
6,725,511	B1	4/2004	Rodseth	
D494,050	S *	8/2004	Klein et al.	D8/373
D496,580	S *	9/2004	Moen	D8/373
6,786,554	B1	9/2004	Zahiri	

D509,468	S *	9/2005	Viger	D12/223
D520,322	S *	5/2006	Orlando	D8/70
D529,792	S *	10/2006	Klein et al.	D8/373
D550,849	S *	9/2007	Baker	D24/191
D556,014	S *	11/2007	Wurdack	D8/349
D582,918	S *	12/2008	Scott	D14/432
D584,598	S *	1/2009	Dale	D8/354
D592,760	S *	5/2009	Diener et al.	D24/231
D609,996	S *	2/2010	Le	D8/380
D615,187	S *	5/2010	Bowden	D24/110
D615,848	S *	5/2010	Prichard et al.	D8/354

(Continued)

Primary Examiner — T. Chase Nelson

Assistant Examiner — Mark Cavanna

(74) *Attorney, Agent, or Firm* — Robert H. Eichenberger; Scott W. Higdon; Middleton Reutlinger

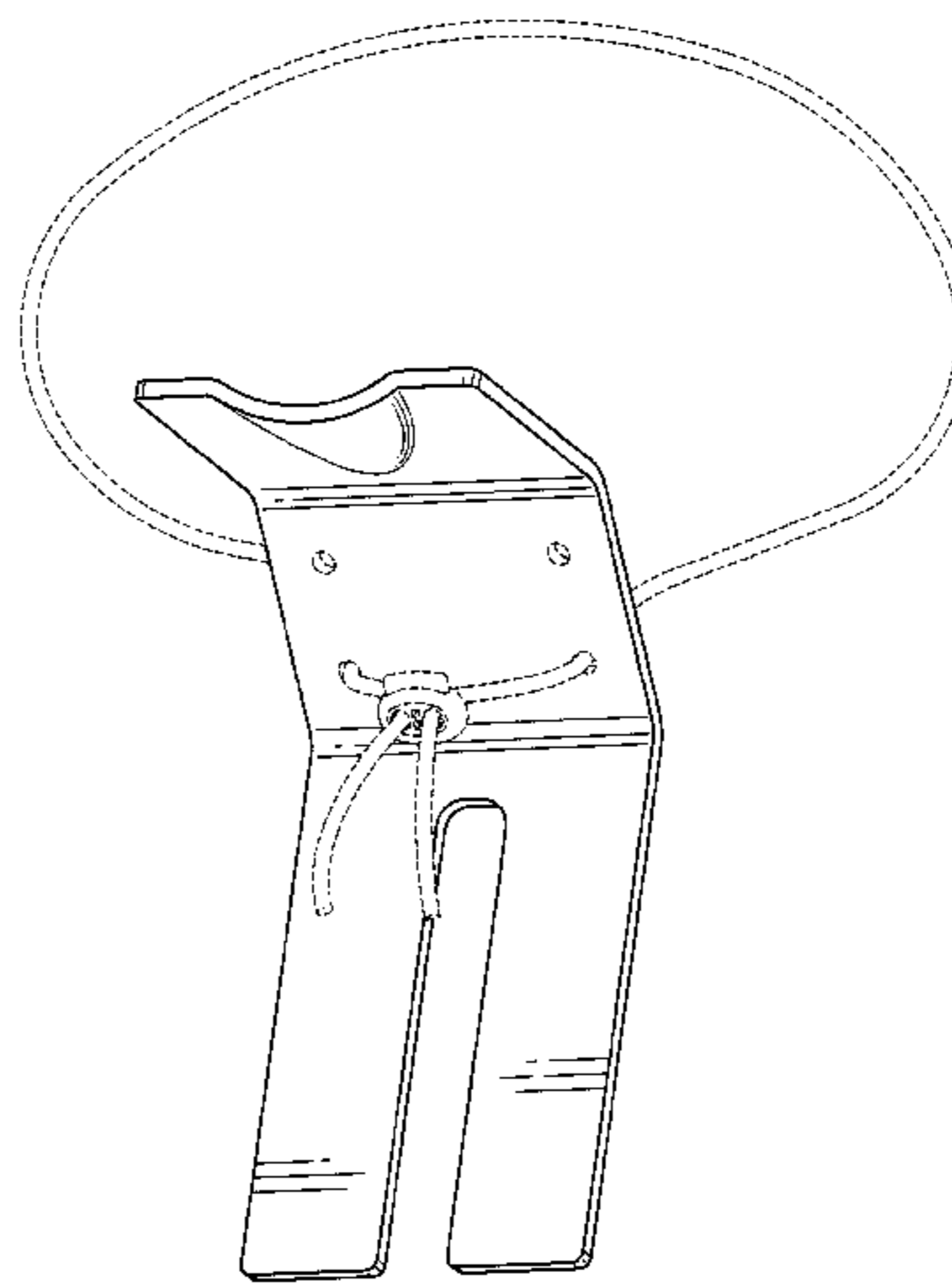
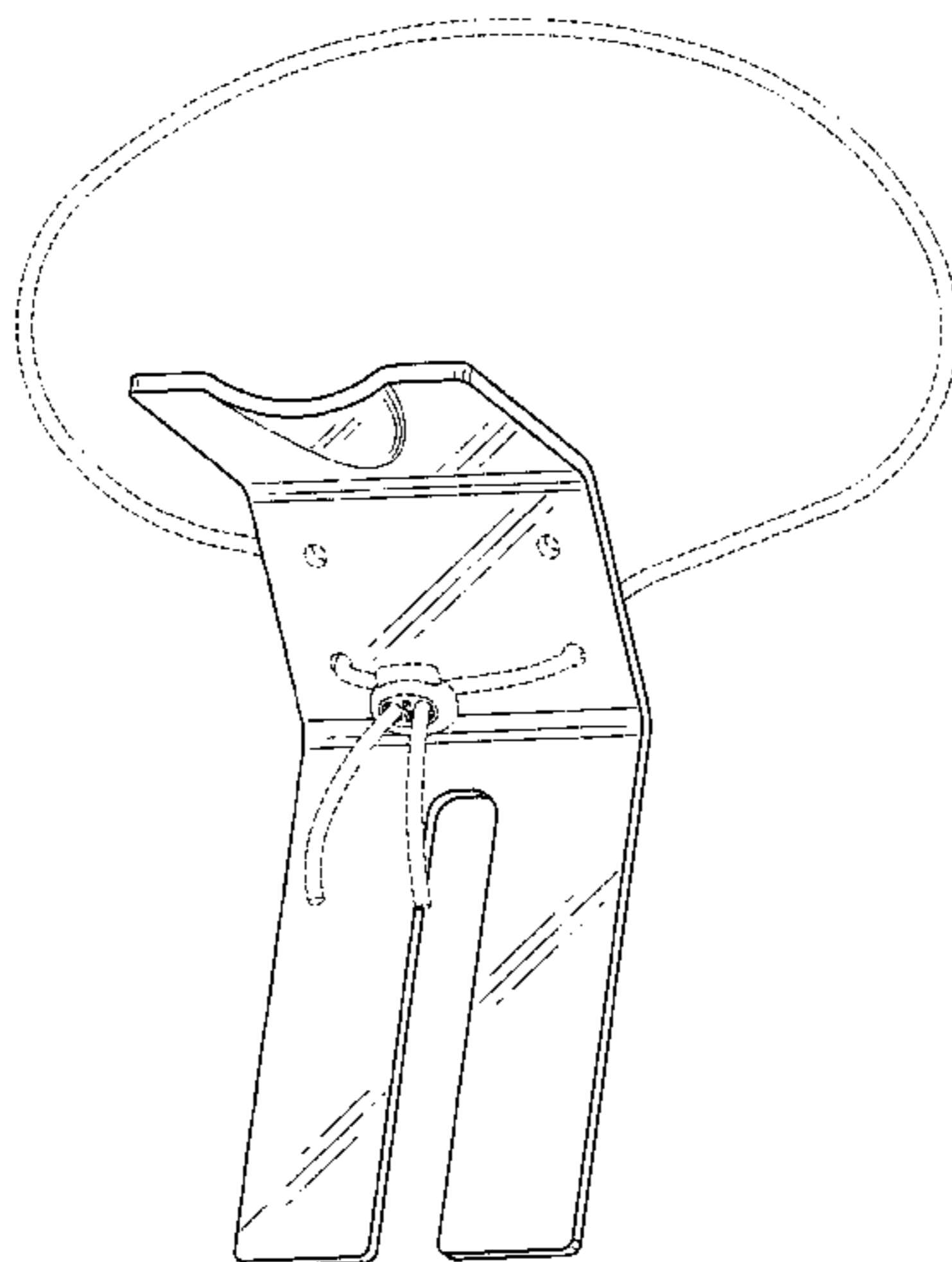
(57) **CLAIM**

The ornamental design for a sleep aid, as shown and described.

DESCRIPTION

FIG. 1 is a front left side perspective view of a first embodiment of a sleep aid showing my design; FIG. 2 is a front elevational view thereof; FIG. 3 is a rear elevational view thereof; FIG. 4 is a right side elevational view thereof; FIG. 5 is a left side elevational view thereof; FIG. 6 is a top plan view thereof; FIG. 7 is a bottom plan view thereof; FIG. 8 is a front left side perspective view of a second embodiment of the sleep aid of my design; FIG. 9 is a front elevational view thereof; FIG. 10 is a rear elevational view thereof; FIG. 11 is a right side elevational view thereof; FIG. 12 is a left side elevational view thereof; FIG. 13 is a top plan view thereof; and, FIG. 14 is a bottom plan view thereof. The broken lines showing environmental structure are for illustrative purposes only and form no part of the claimed design.

1 Claim, 14 Drawing Sheets



US D648,031 S

Page 2

U.S. PATENT DOCUMENTS

D626,820 S	*	11/2010	Boaler et al.	D8/373	2006/0266369 A1	11/2006	Atkinson et al.
D635,449 S	*	4/2011	Robinson	D8/366	2008/0041374 A1	2/2008	Reddick
D636,927 S	*	4/2011	Lin	D26/138	2008/0223377 A1	9/2008	Kussick
D636,928 S	*	4/2011	Lin	D26/138	2009/0264802 A1	10/2009	Chen

* cited by examiner

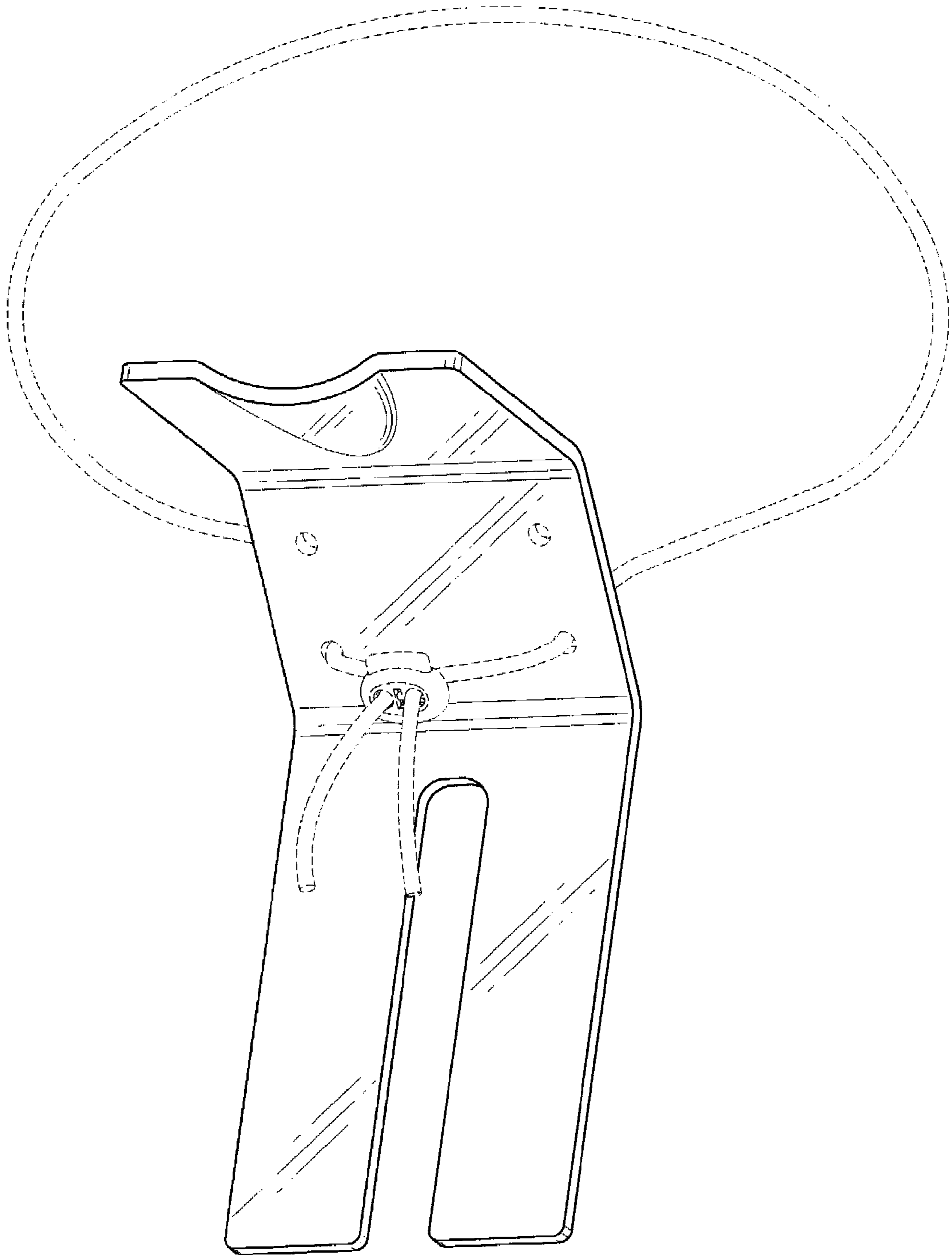


FIG. 1

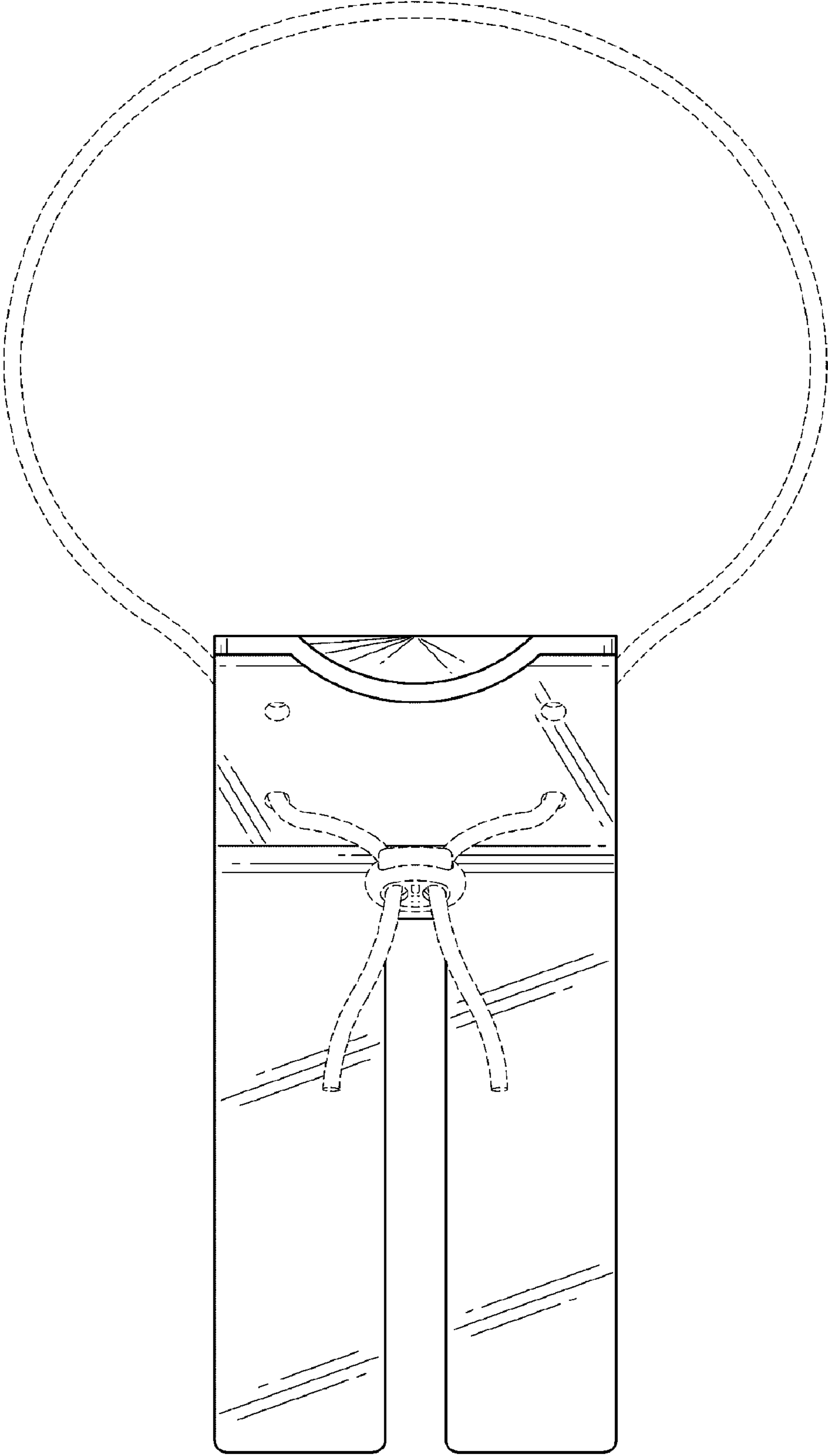


FIG. 2

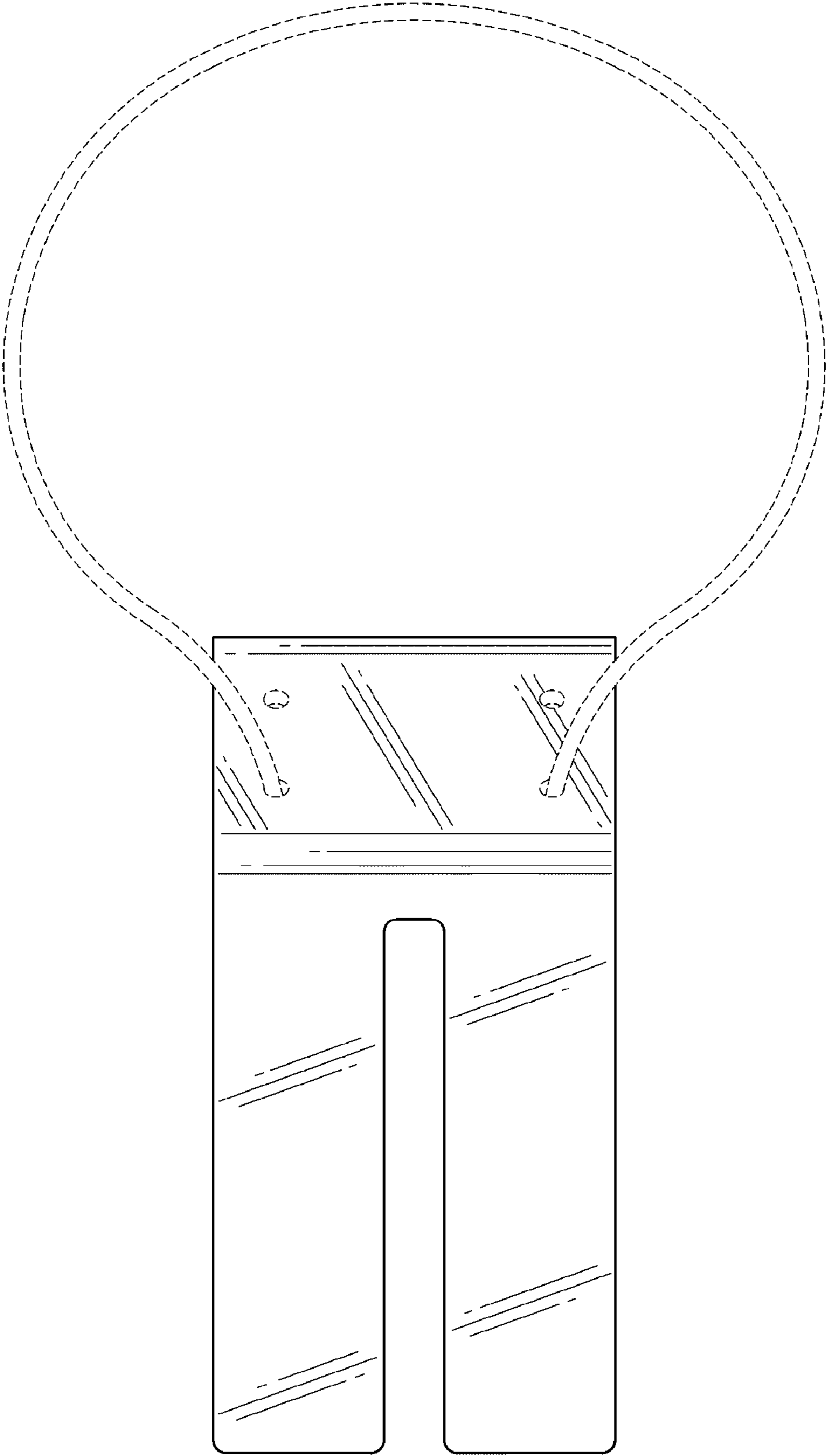


FIG. 3

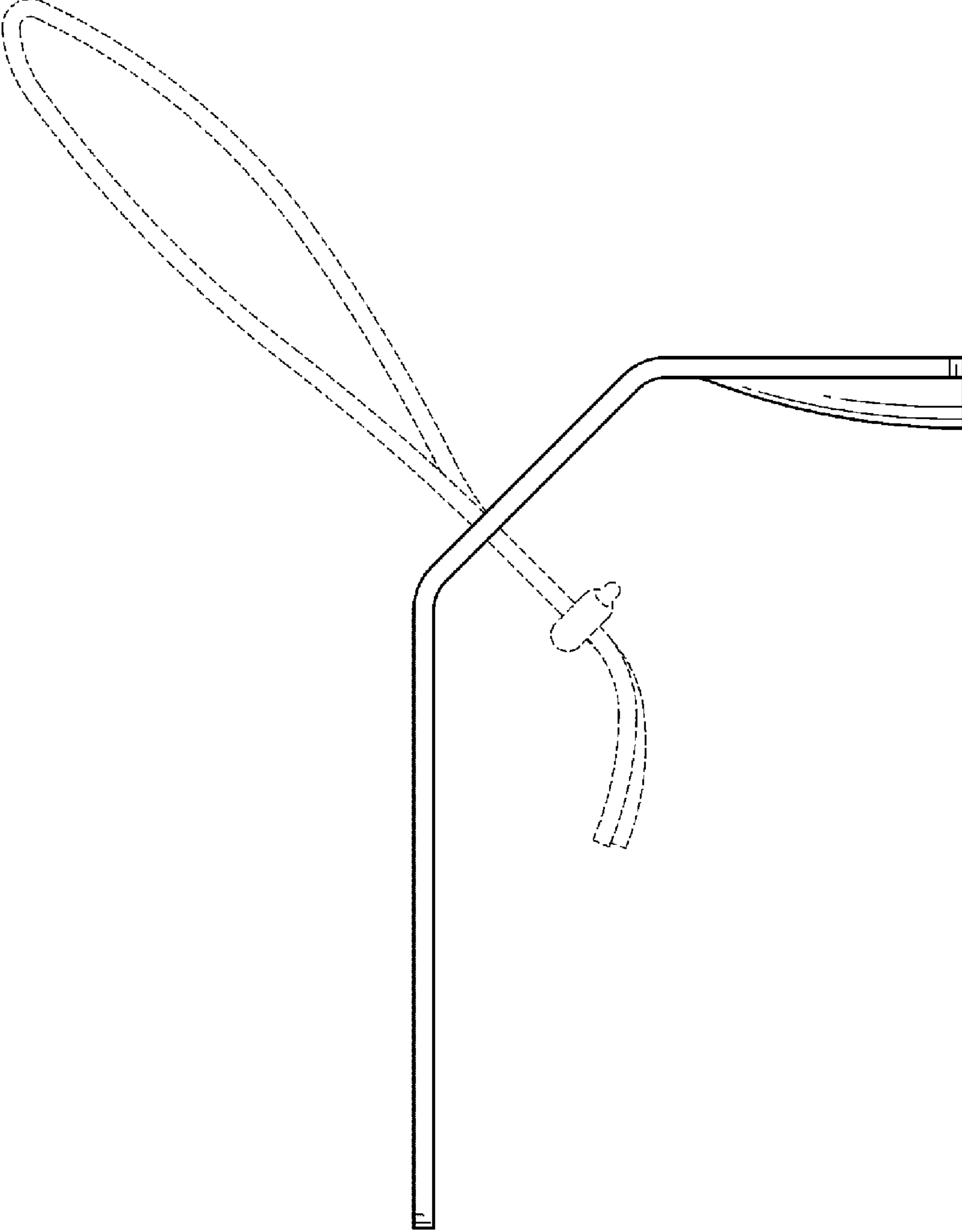


FIG. 4

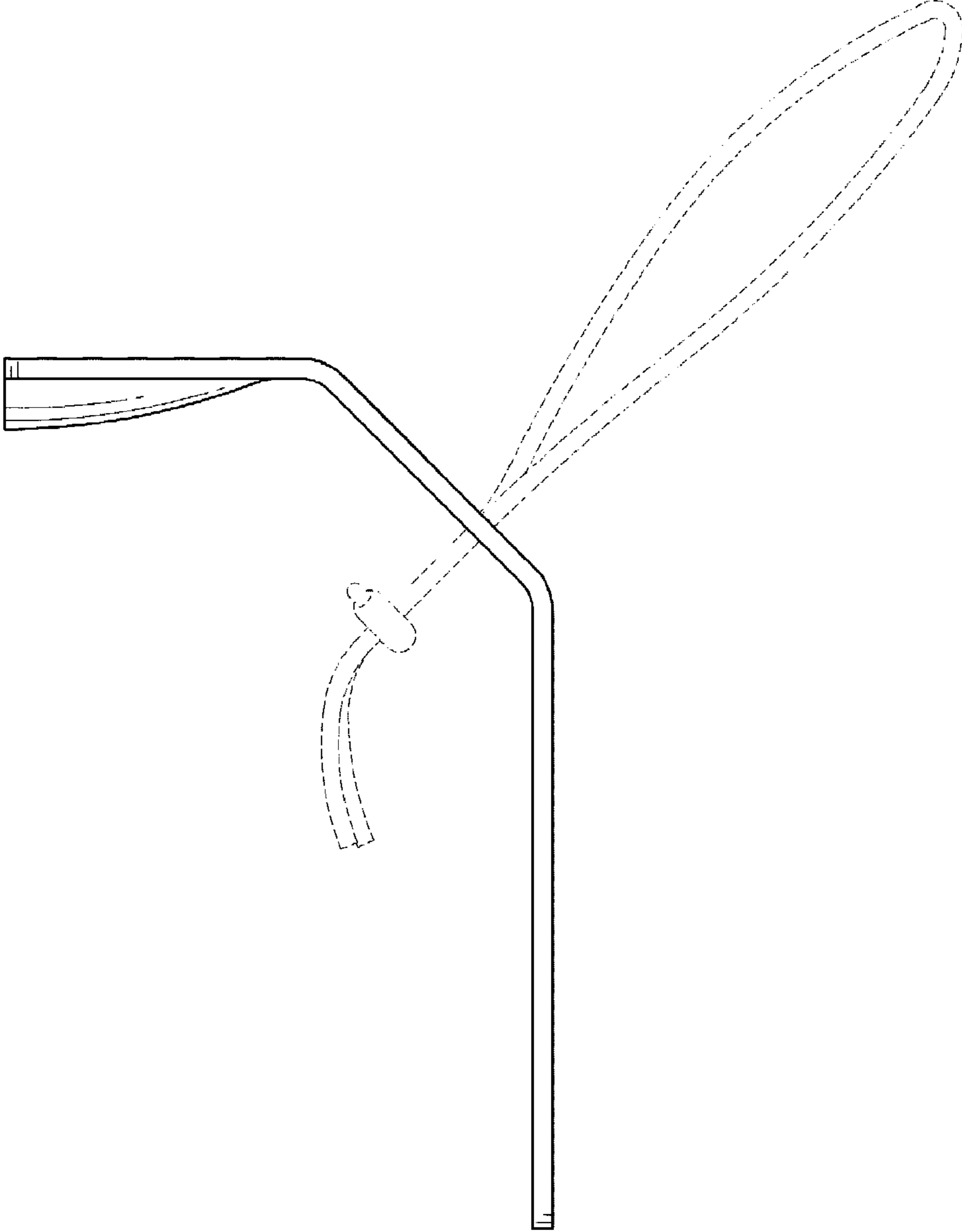


FIG. 5

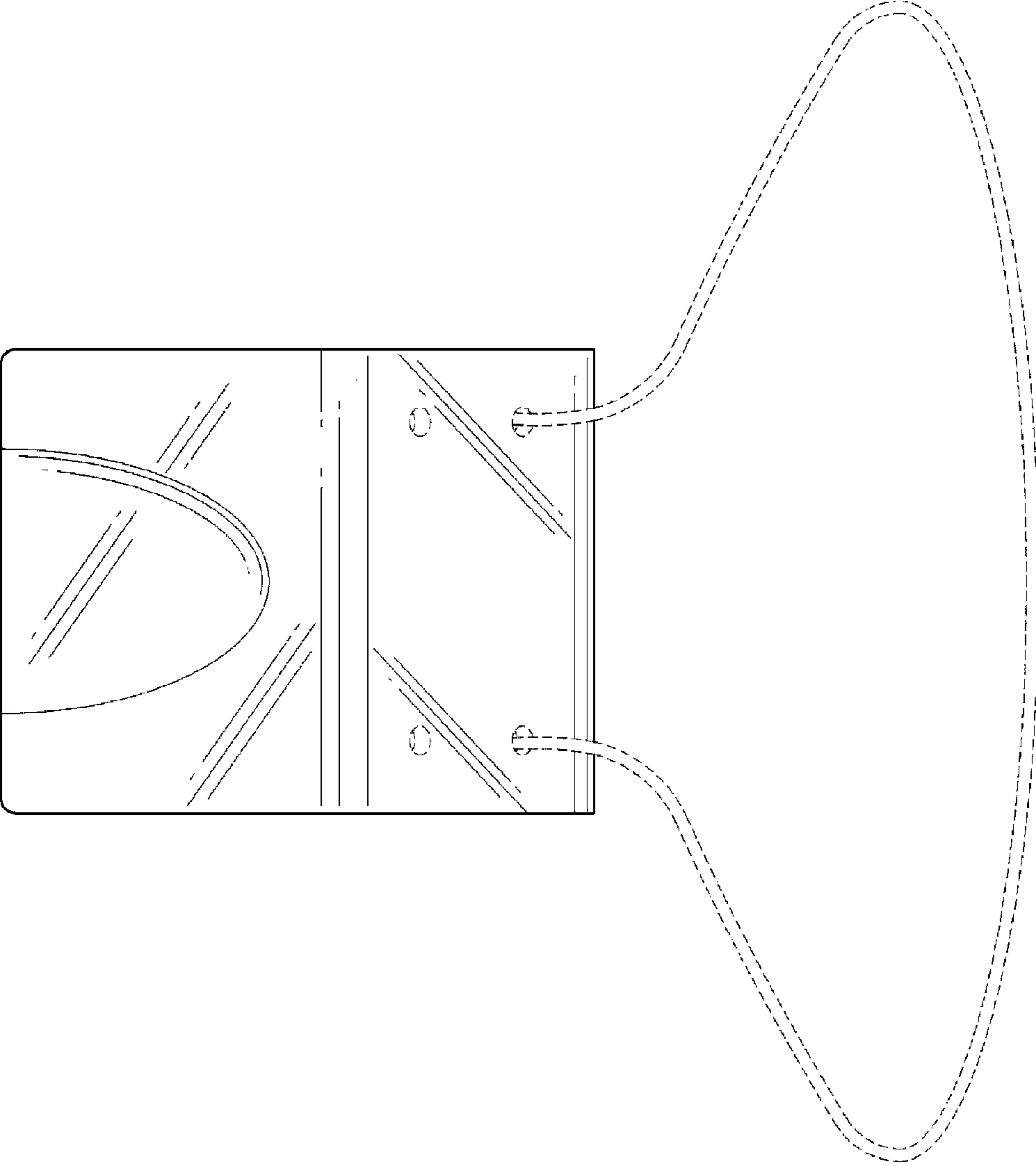


FIG. 6

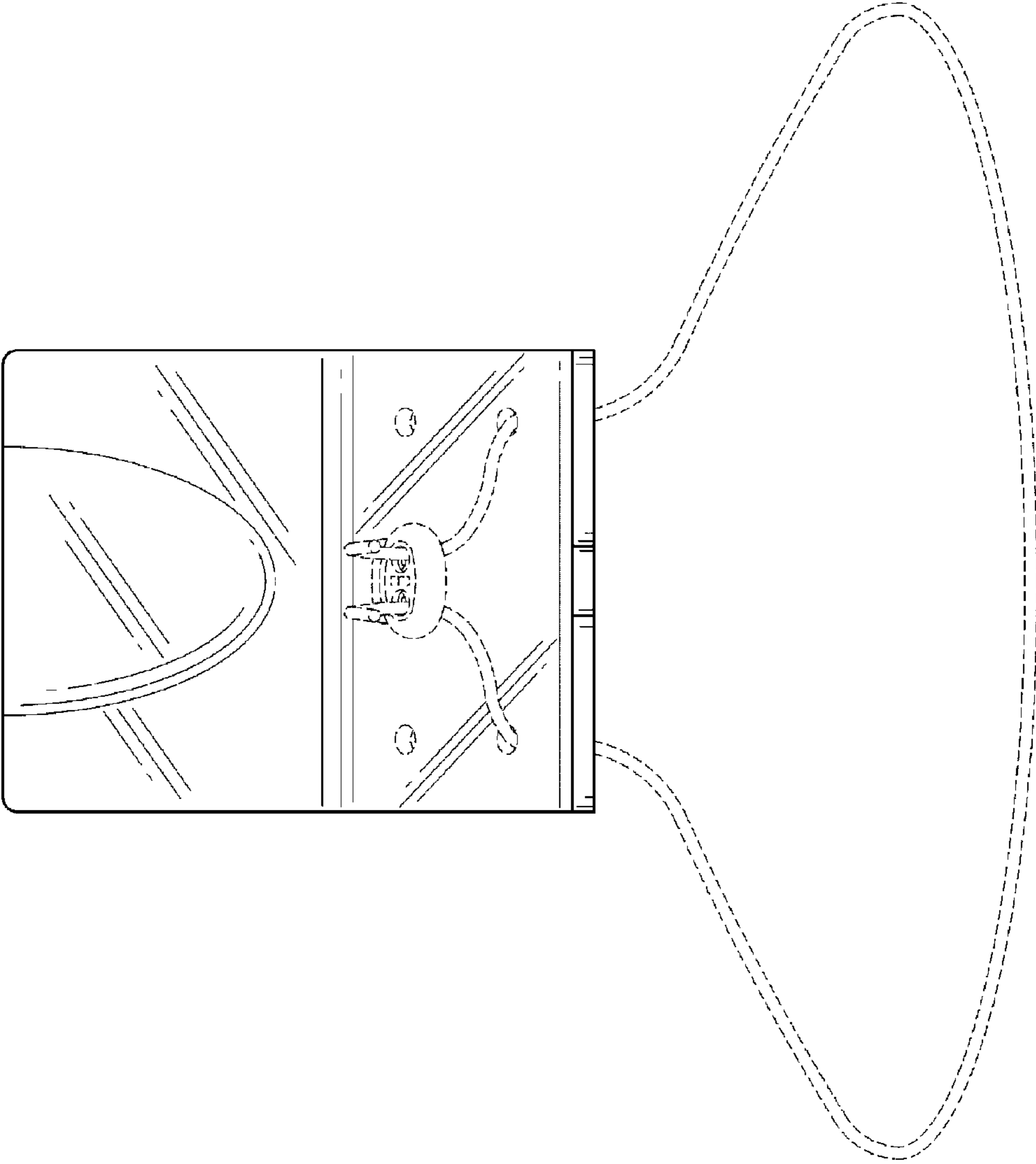


FIG. 7

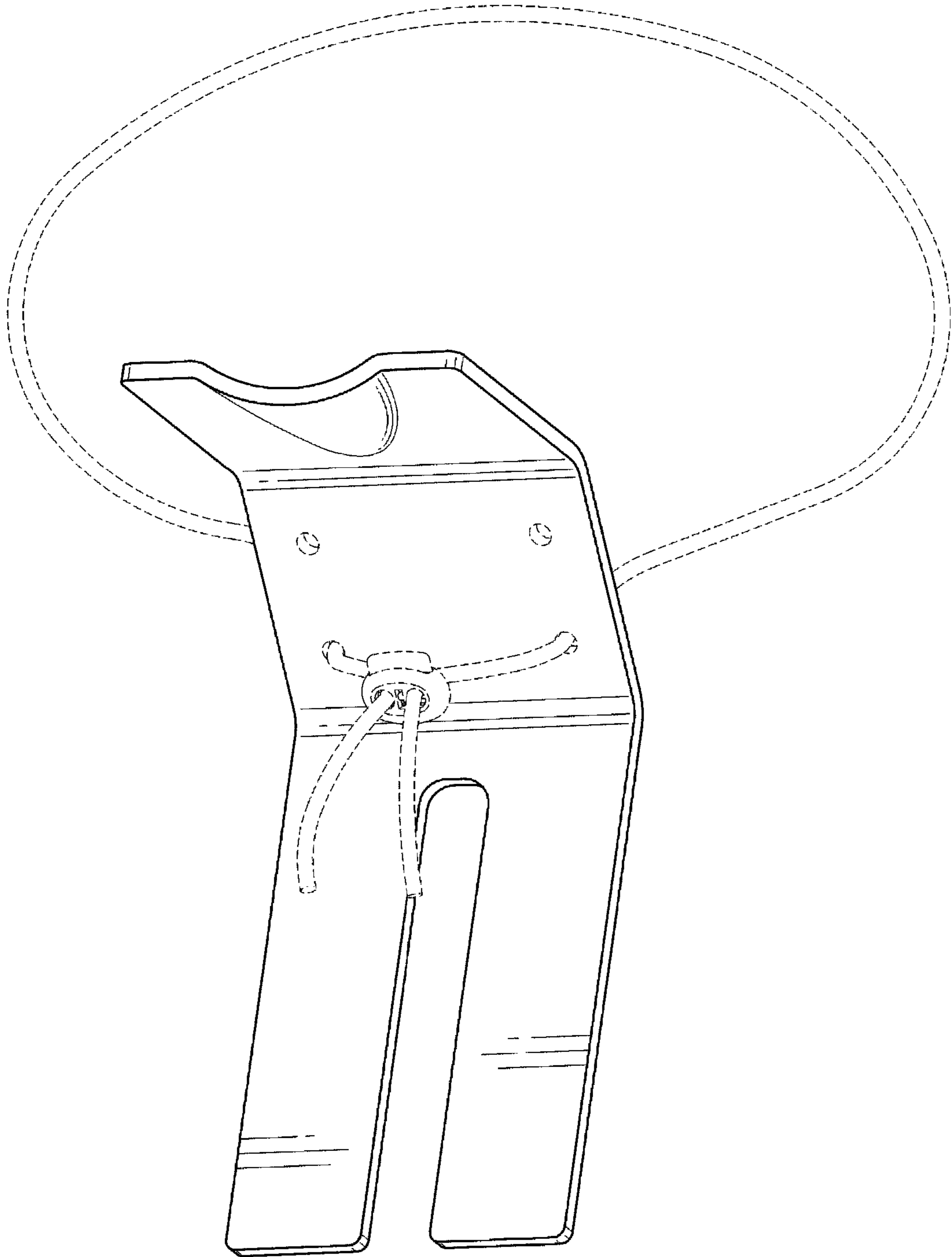


FIG. 8

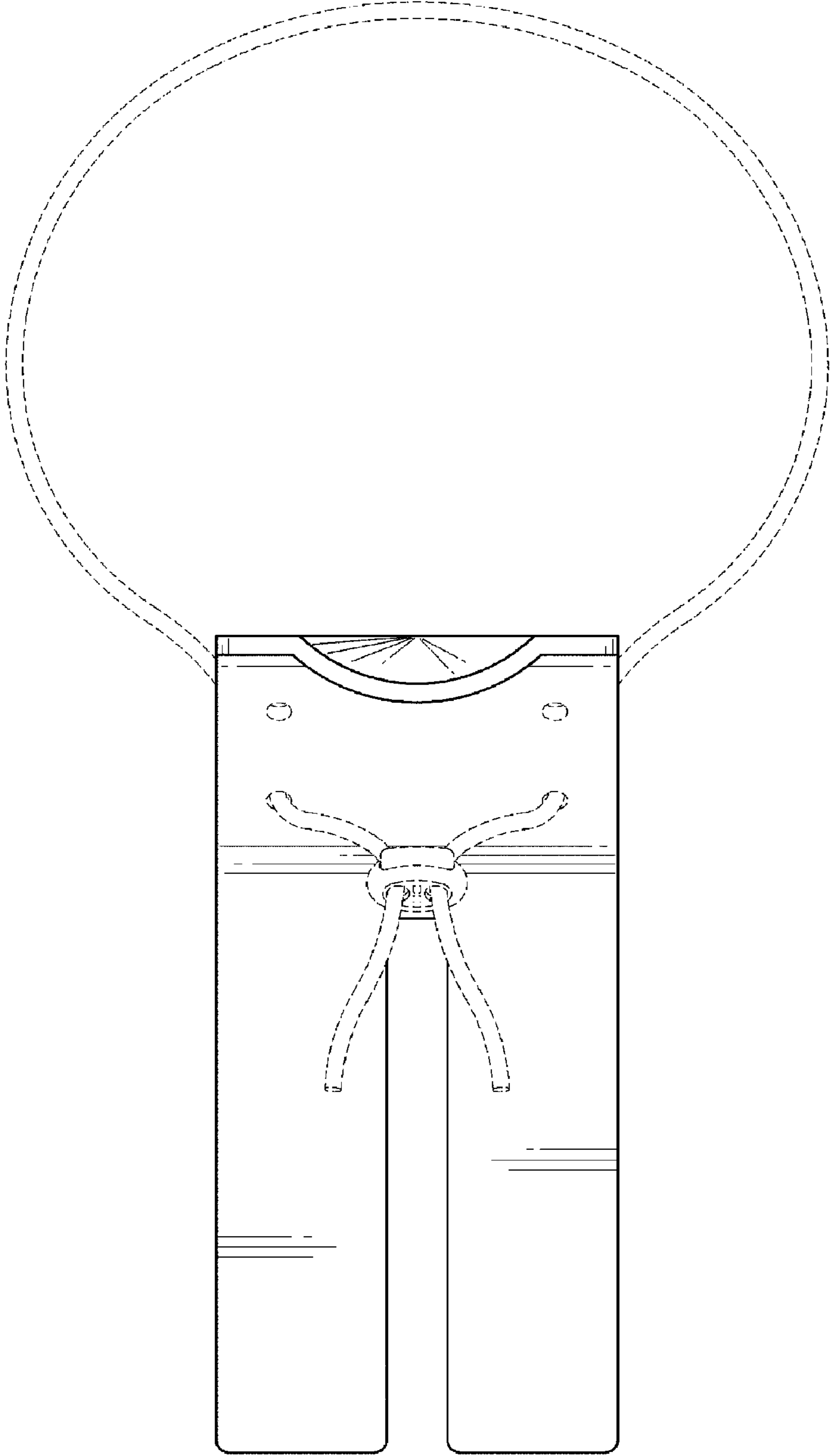


FIG. 9

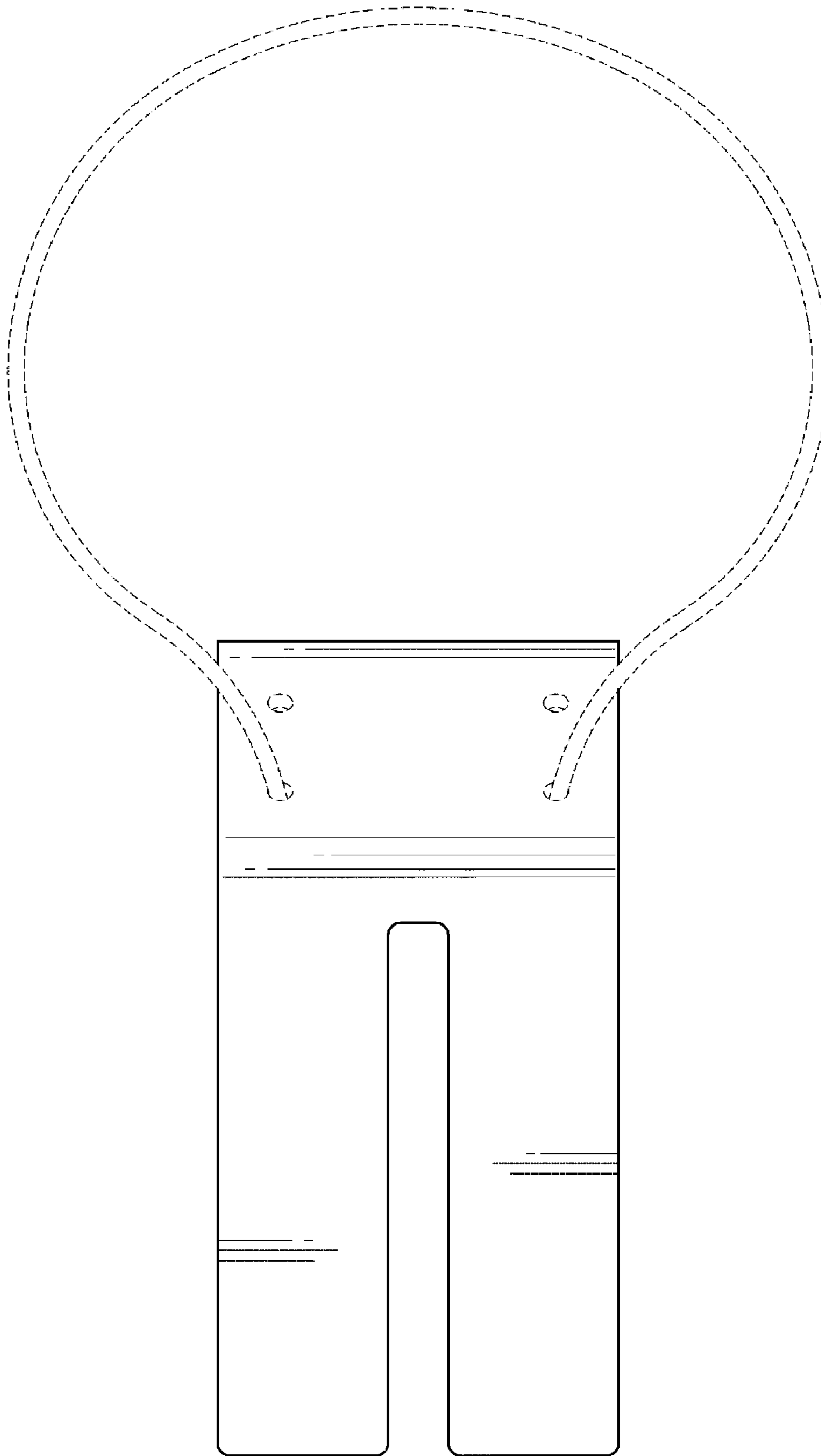


FIG. 10

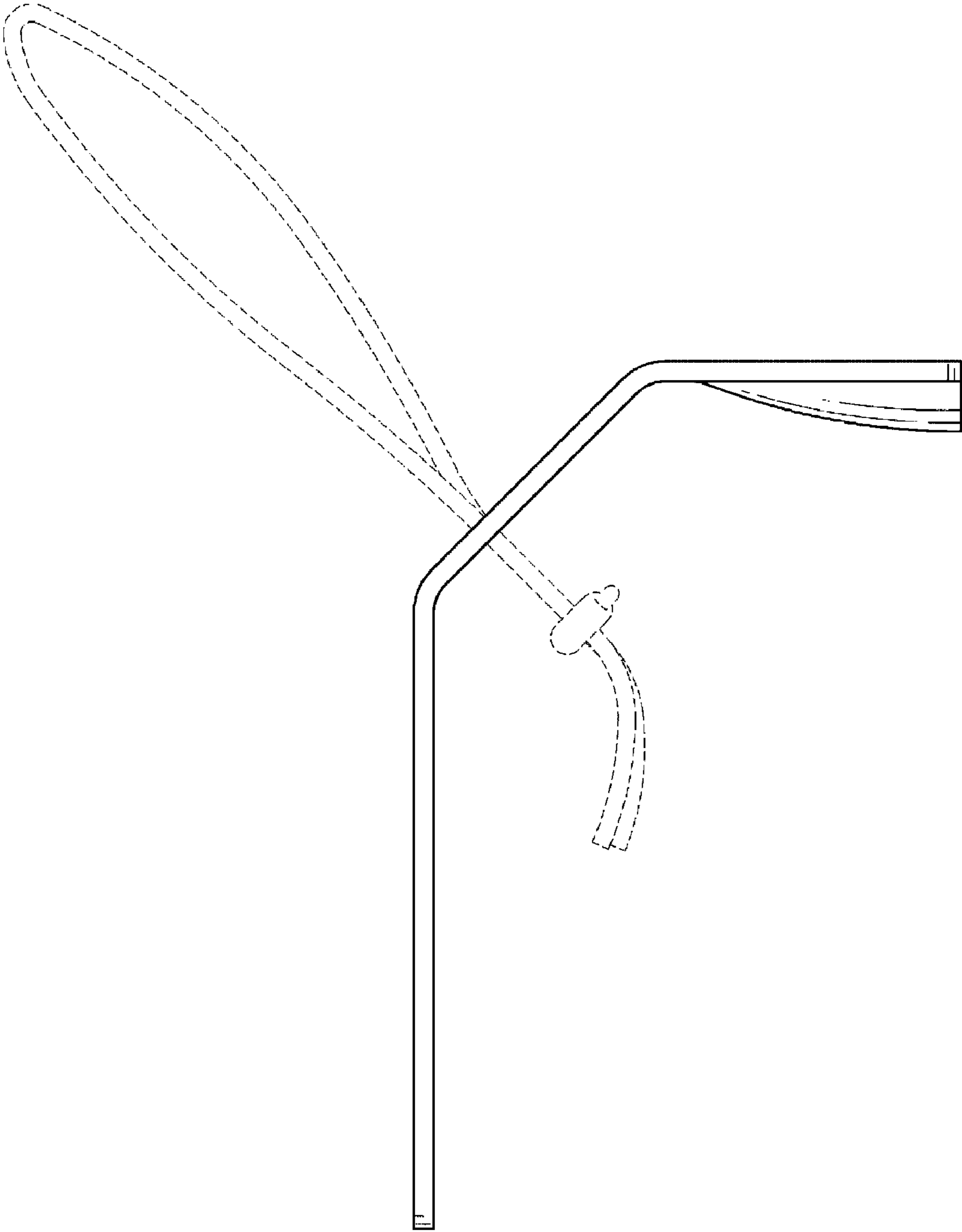


FIG. 11

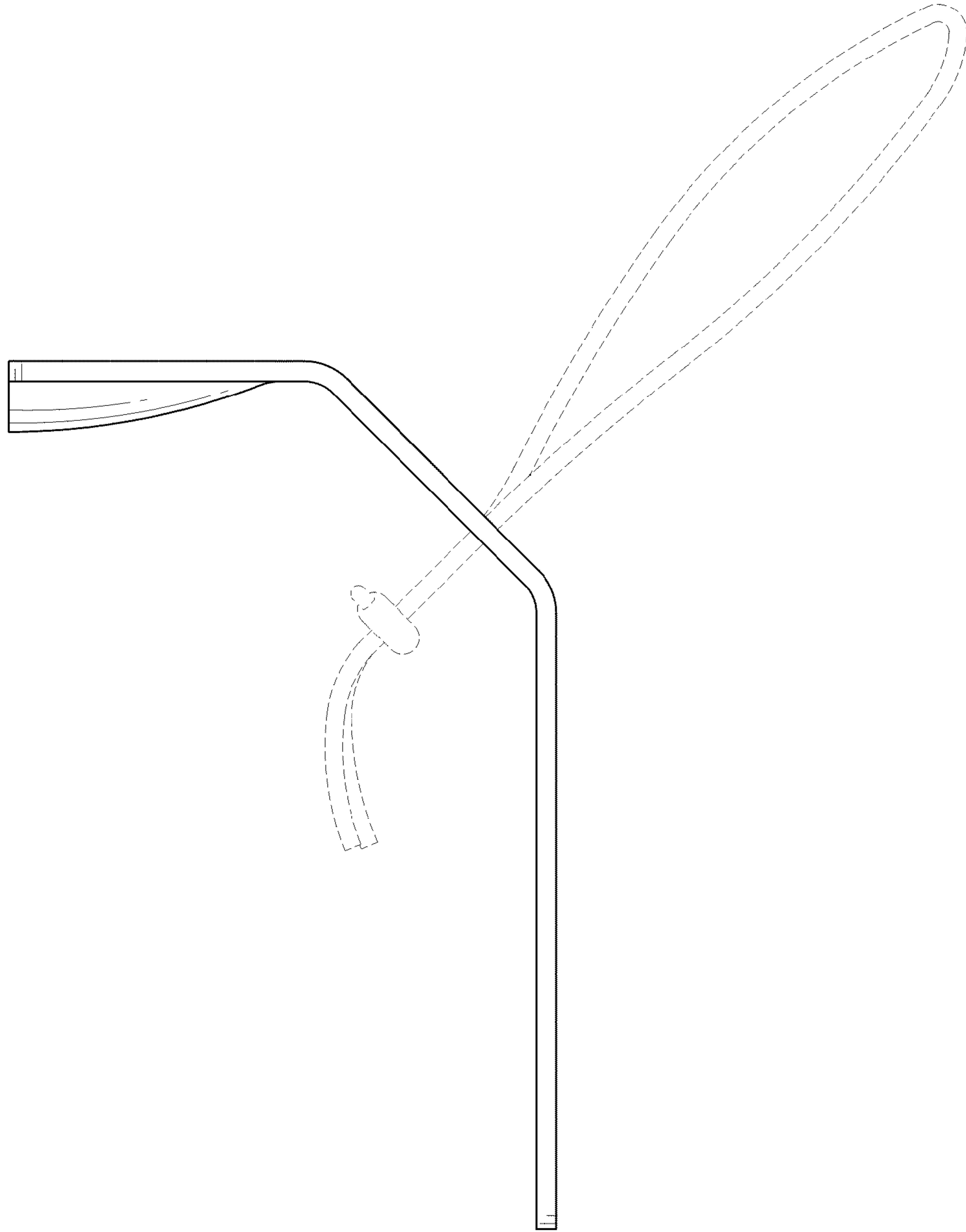


FIG. 12

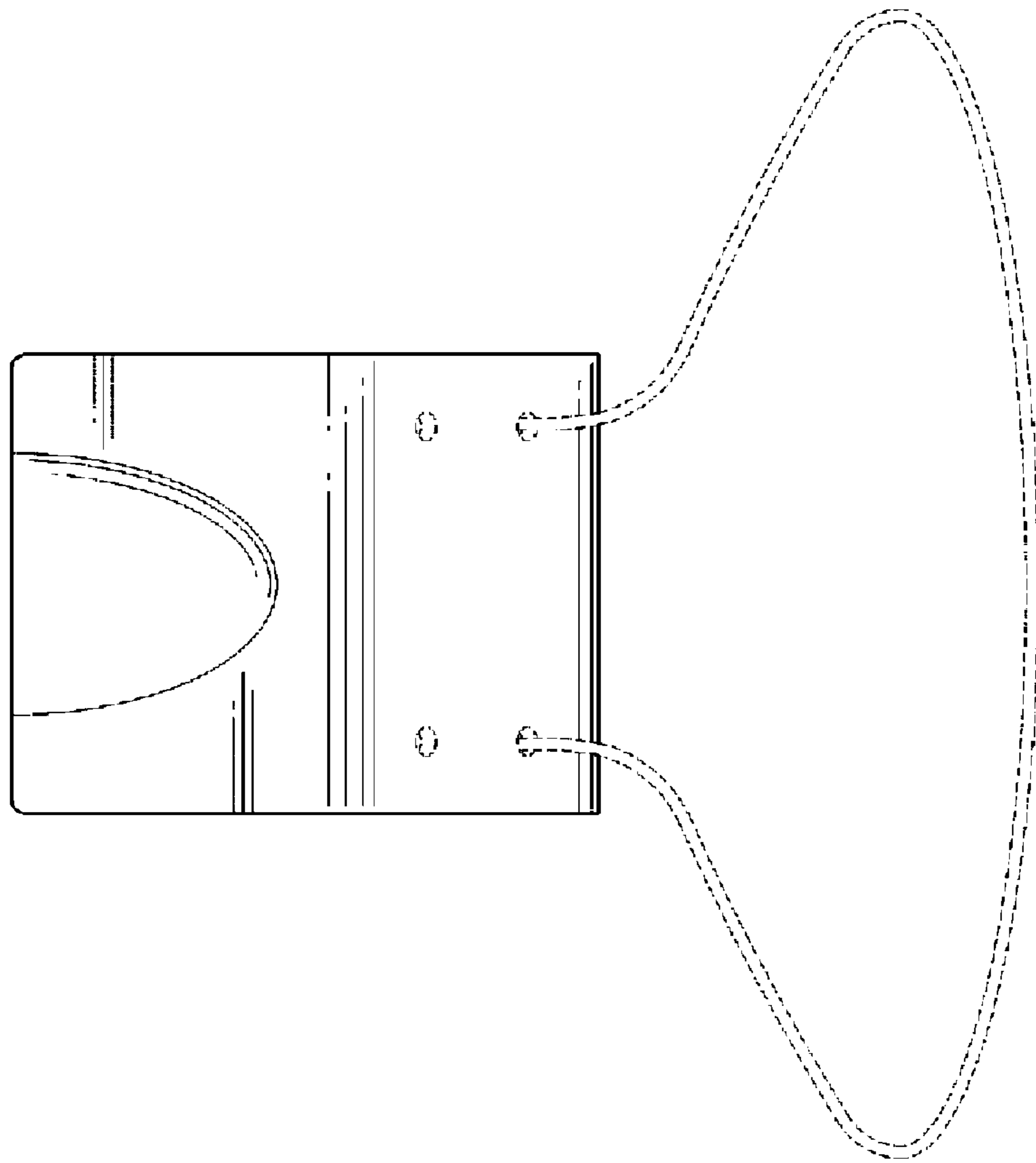


FIG. 13

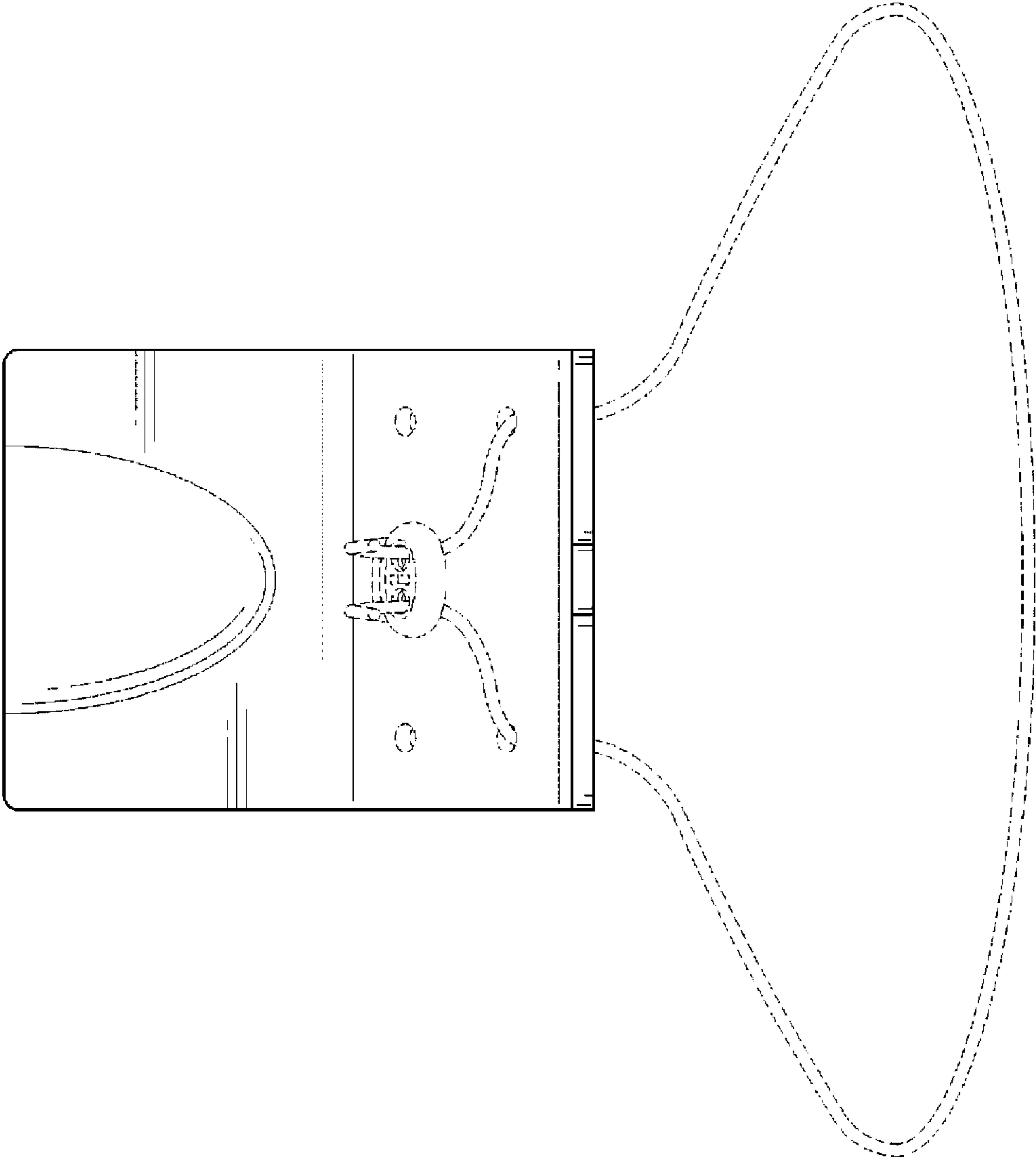


FIG. 14