



US00D648030S

(12) **United States Design Patent**
Bryant et al.

(10) **Patent No.:** **US D648,030 S**

(45) **Date of Patent:** **** Nov. 1, 2011**

(54) **SELF-LIGATING ORTHODONTIC BRACKET**

(75) Inventors: **Richard Randle Bryant**, Vista, CA (US); **Patrick Roman**, Escondido, CA (US); **Oswaldo Del Castillo**, Vista, CA (US); **Hector Del Castillo**, Vista, CA (US)

(73) Assignee: **Orthodontic Design and Production, Inc.**, Vista, CA (US)

(**) Term: **14 Years**

(21) Appl. No.: **29/383,975**

(22) Filed: **Jan. 25, 2011**

(51) **LOC (9) Cl.** **24-99**

(52) **U.S. Cl.** **D24/180**

(58) **Field of Classification Search** D24/176, D24/180; 433/8-17

See application file for complete search history.

(56) **References Cited**

U.S. PATENT DOCUMENTS

2,548,864	A	4/1951	Brusse	
4,144,642	A	3/1979	Wallshein	
4,197,642	A	4/1980	Wallshein	
4,209,906	A	7/1980	Fujita	
4,531,911	A *	7/1985	Creekmore	433/8
D290,040	S *	5/1987	Kelly	D24/180
D302,588	S *	8/1989	Jones	D24/180
D322,482	S *	12/1991	Ianieri et al.	D24/180
5,254,002	A *	10/1993	Reher et al.	433/8
5,269,681	A	12/1993	Degnan	
5,275,557	A	1/1994	Damon	
5,429,500	A	7/1995	Damon	
5,439,378	A	8/1995	Damon	
5,466,151	A	11/1995	Damon	
5,630,715	A *	5/1997	Voudouris	433/8
5,711,666	A *	1/1998	Hanson	433/11
5,782,631	A	7/1998	Kesling et al.	
5,908,293	A	6/1999	Voudouris	
5,967,773	A	10/1999	Roman et al.	
6,071,118	A	6/2000	Damon	

6,095,808	A *	8/2000	Nakagawa	433/8
6,190,166	B1	2/2001	Sasakura	
6,217,321	B1	4/2001	Kanno	
6,325,622	B1	12/2001	Kelly et al.	
6,582,226	B2	6/2003	Jordan et al.	
7,140,875	B2 *	11/2006	Lai et al.	433/8
7,335,020	B2	2/2008	Castner et al.	
7,377,777	B2	5/2008	Lai et al.	
D601,260	S *	9/2009	Romano et al.	D24/180
7,621,743	B2 *	11/2009	Bathen et al.	433/10
7,686,613	B2 *	3/2010	Pospisil et al.	433/11
7,785,101	B2 *	8/2010	Forster	433/11
2003/0180678	A1	9/2003	Kesling et al.	
2006/0228662	A1	10/2006	Lokar et al.	
2007/0072143	A1	3/2007	Sommer	
2007/0082315	A1	4/2007	Sabater	
2008/0032249	A1	2/2008	Scommegna et al.	
2008/0070184	A1	3/2008	Farzin-Nia et al.	
2008/0311534	A1	12/2008	Farzin-Nia et al.	
2009/0075227	A1	3/2009	Opin et al.	
2011/0076633	A1 *	3/2011	Bryant et al.	433/11

* cited by examiner

Primary Examiner — Wan Laymon

(74) *Attorney, Agent, or Firm* — Dorr, Carson & Birney, P.C.

(57) **CLAIM**

The ornamental design for a self-ligating orthodontic bracket, as shown and described.

DESCRIPTION

FIG. 1 is a front perspective view of a self-ligating orthodontic bracket showing my new design.

FIG. 2 is a right side elevational view thereof.

FIG. 3 is a top plan view thereof.

FIG. 4 is a front elevational view thereof.

FIG. 5 is a bottom plan view thereof.

FIG. 6 is a left side elevational view thereof; and,

FIG. 7 is a rear elevational view thereof.

The broken lines showing portions of a self-ligating orthodontic bracket are included for the purpose of illustrating environmental structure and form no part of the claimed design.

1 Claim, 4 Drawing Sheets

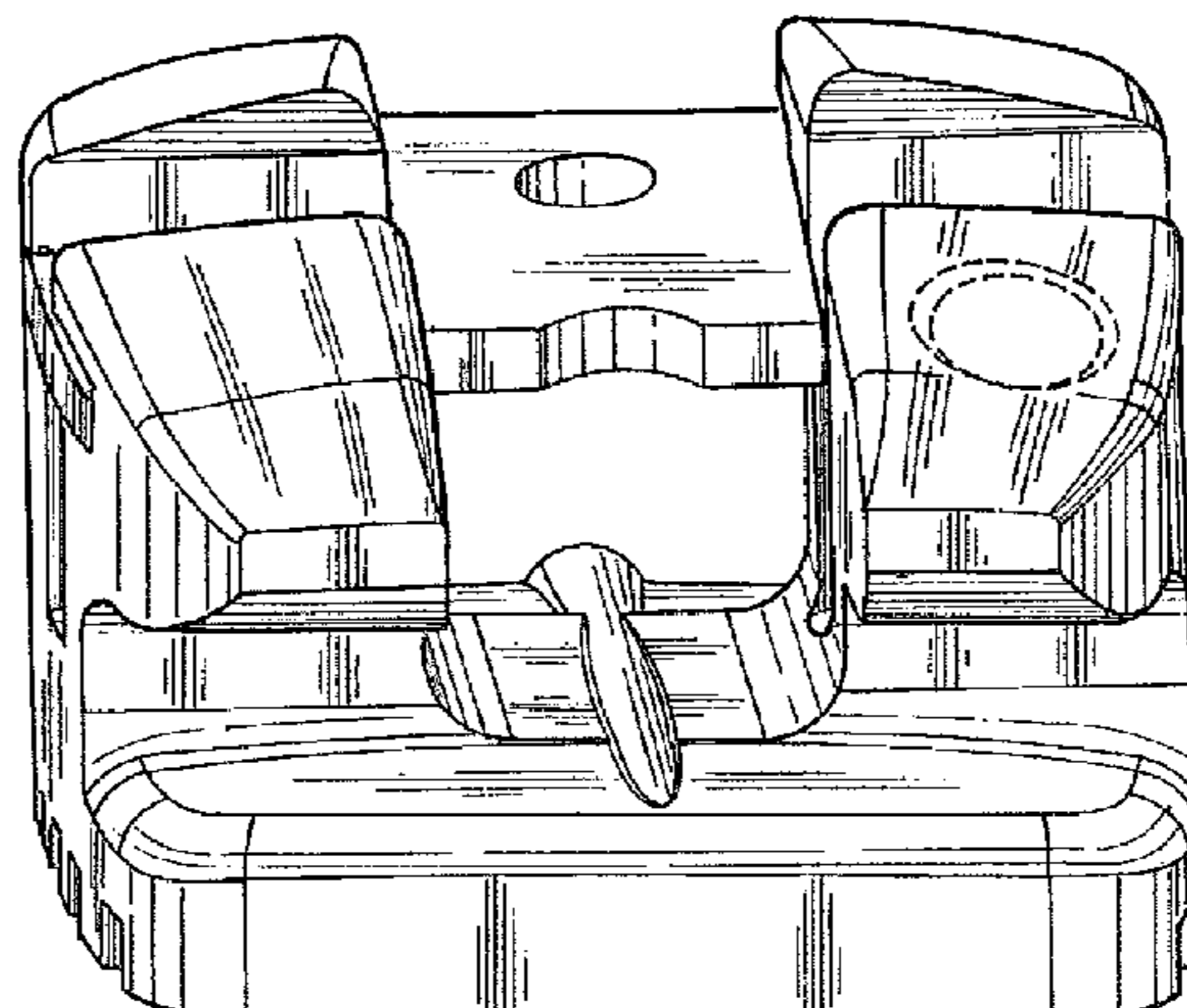
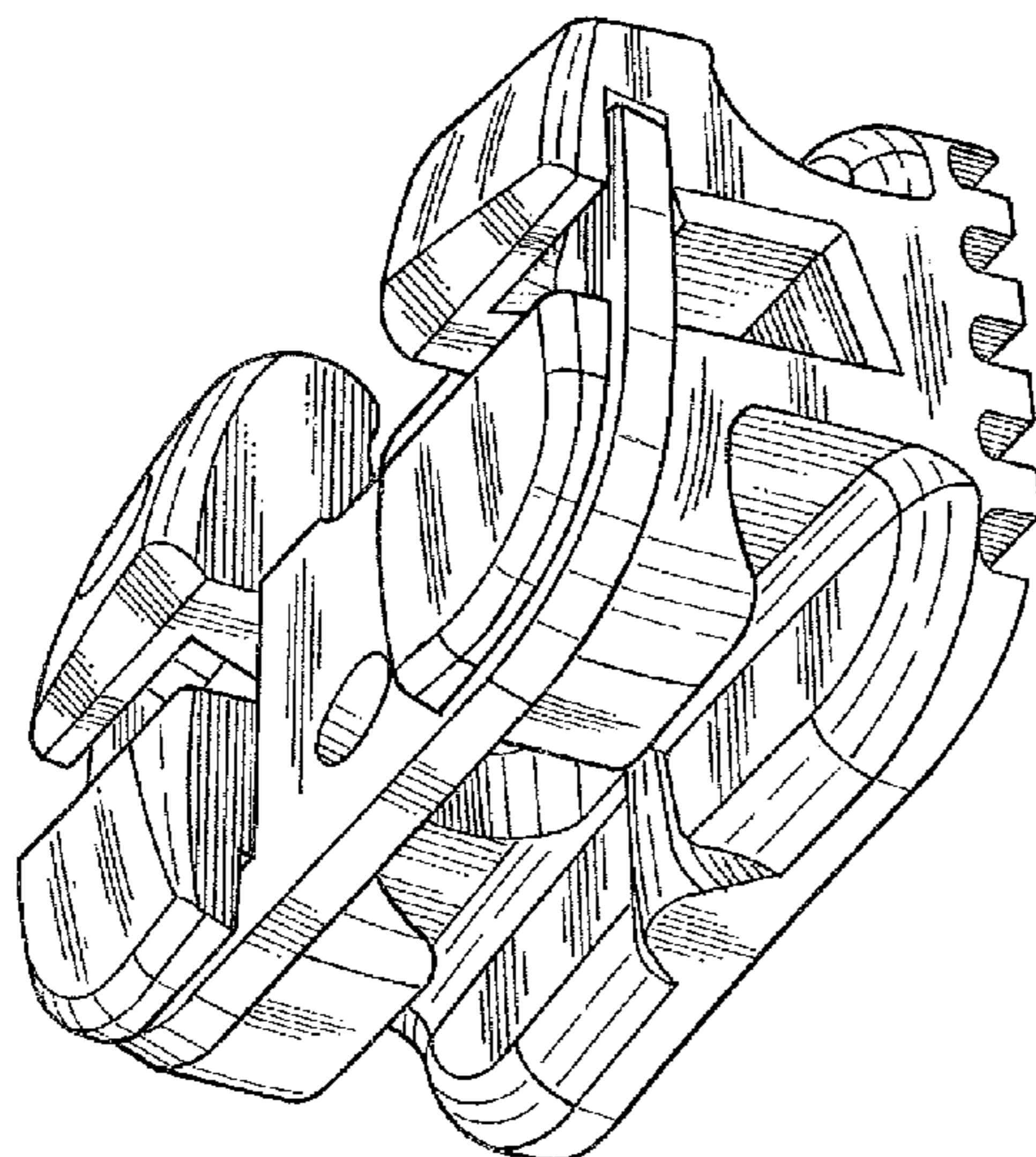


Fig. 1

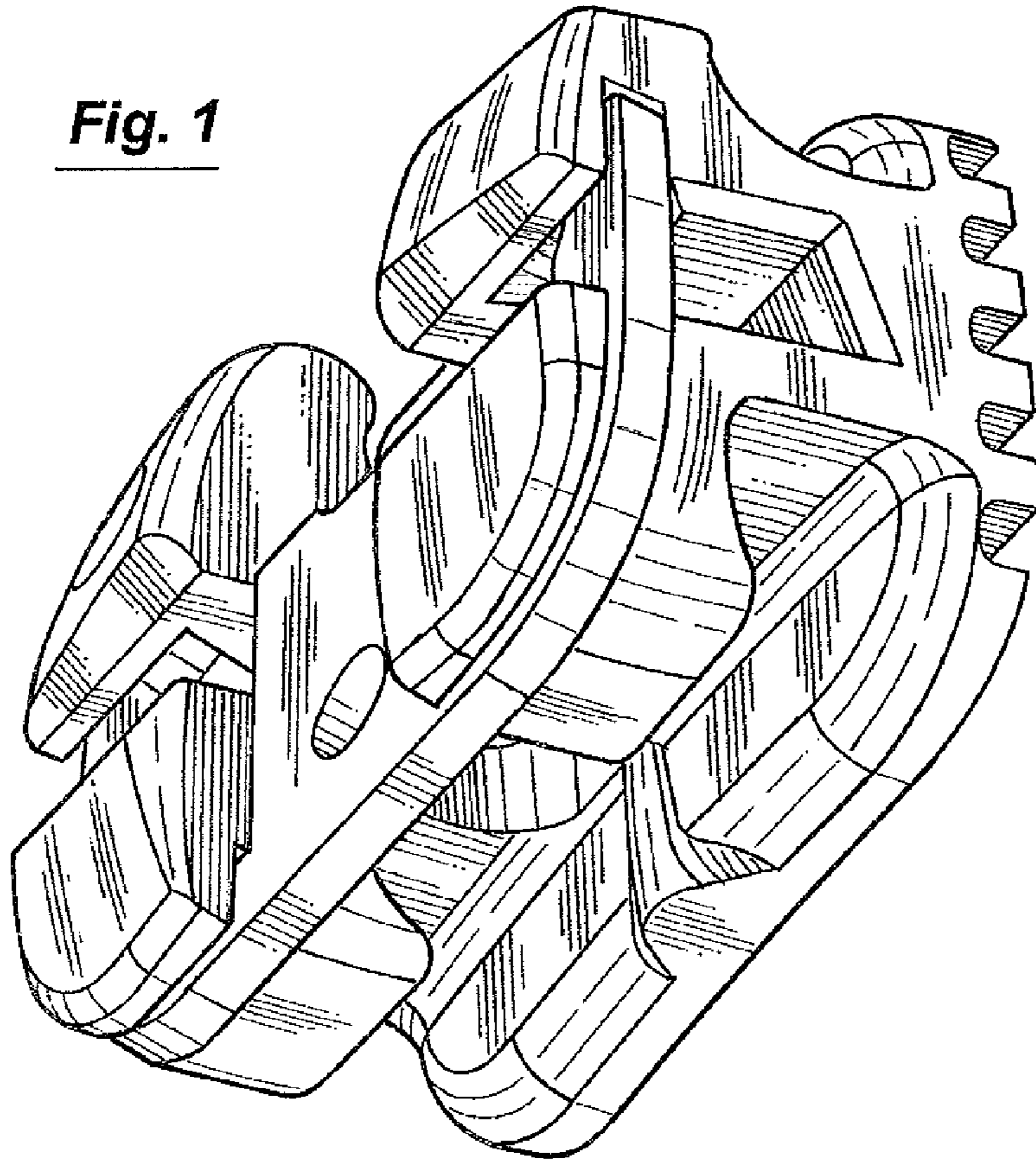
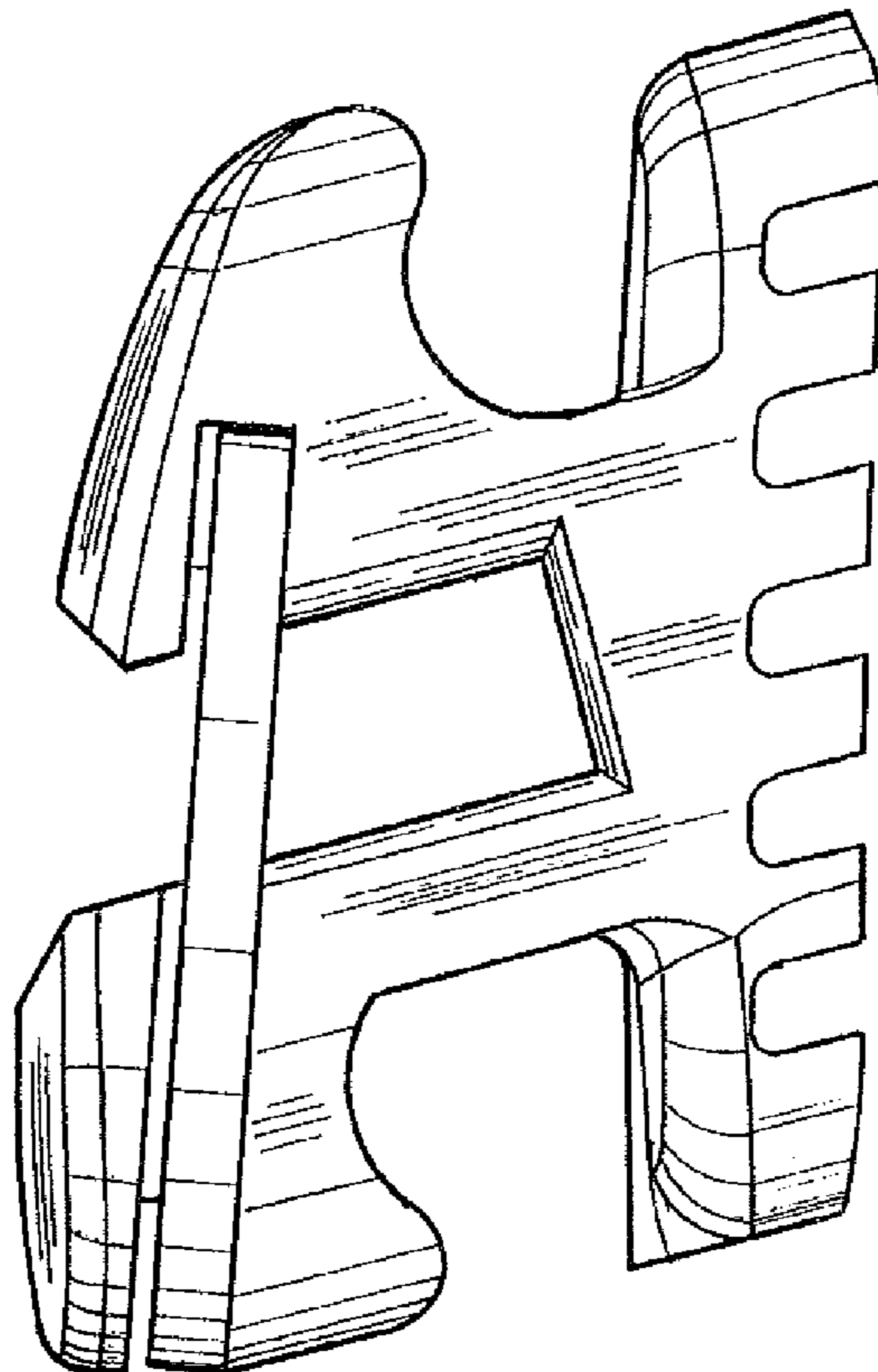


Fig. 2



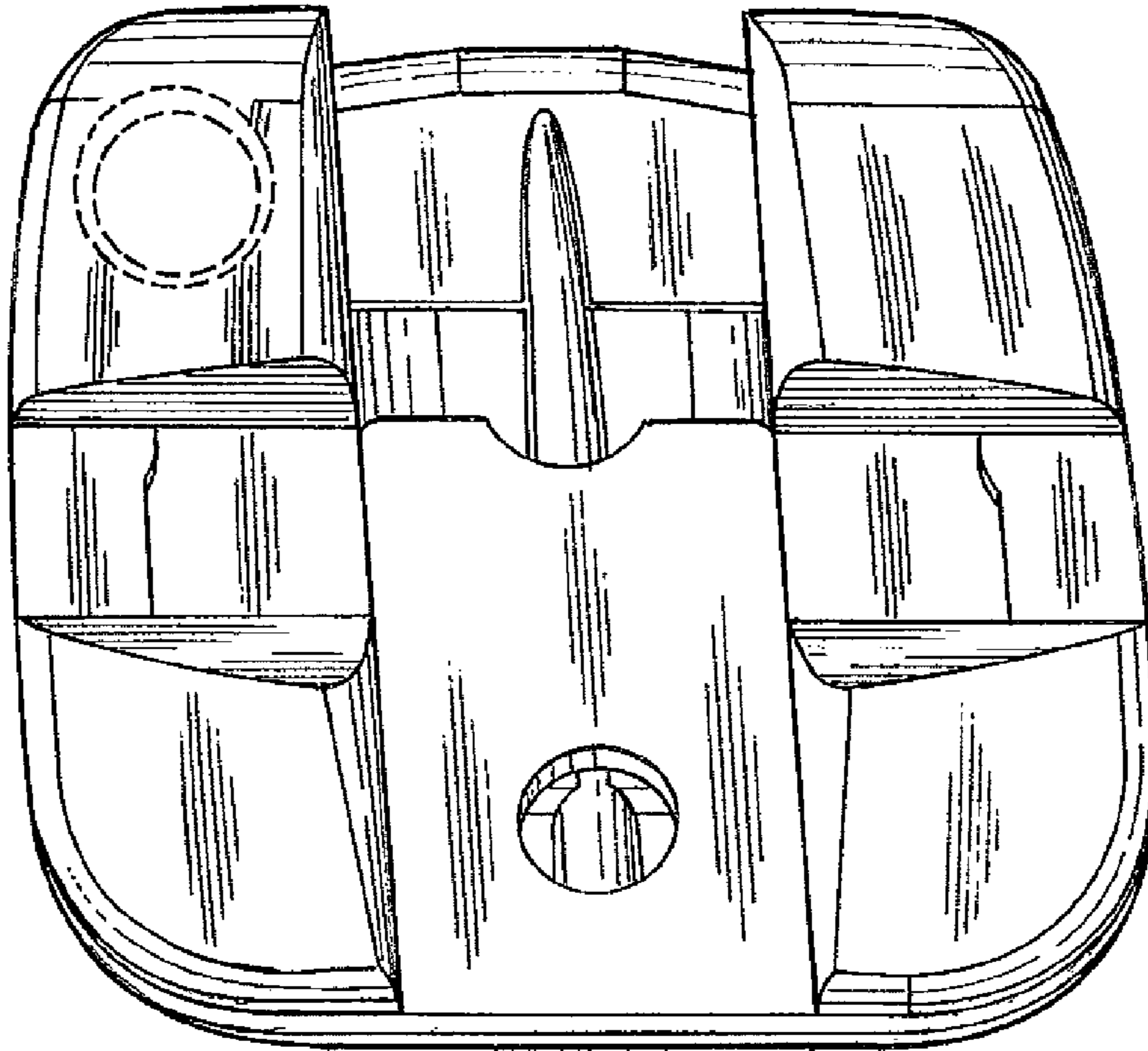


Fig. 3

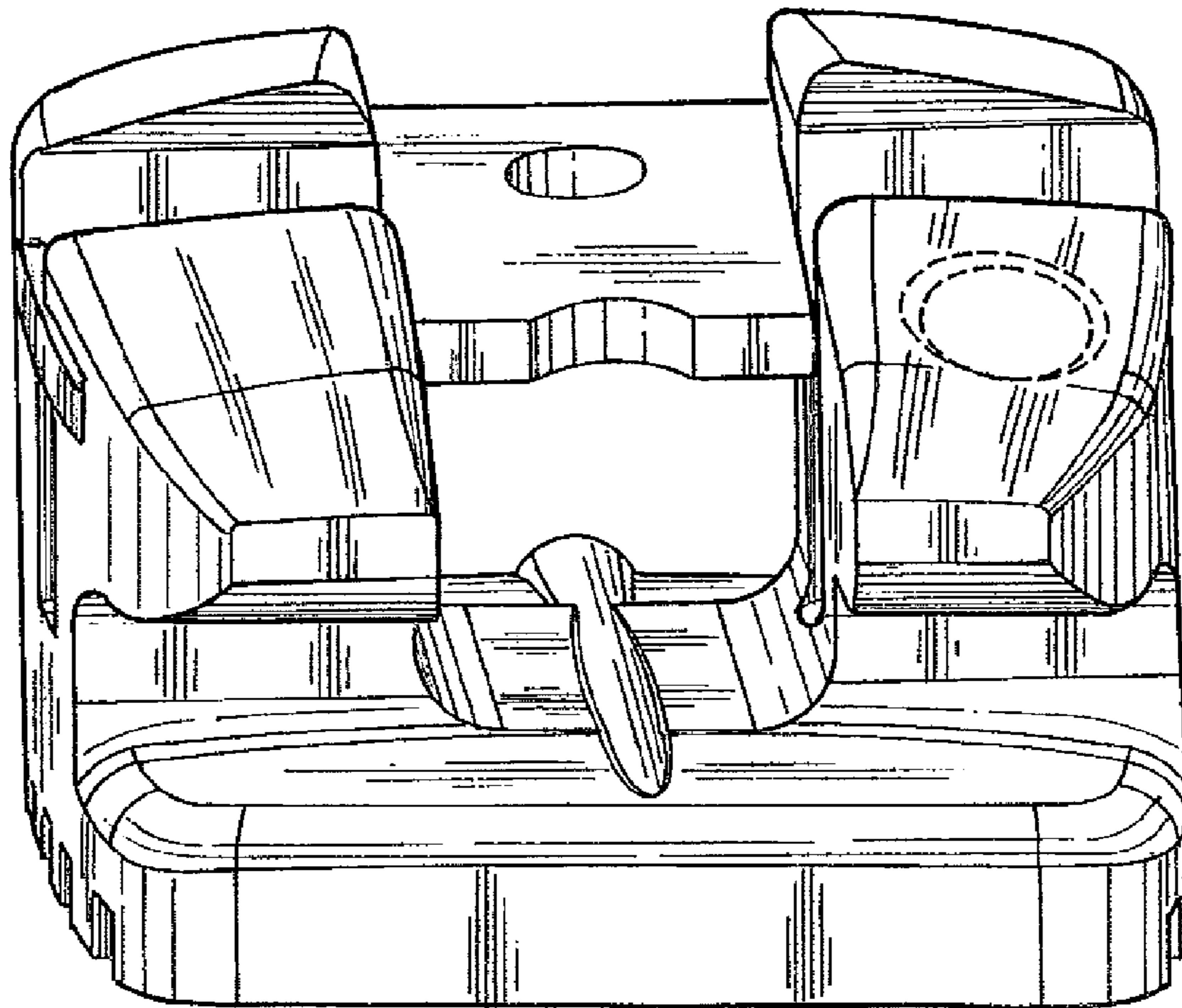


Fig. 4

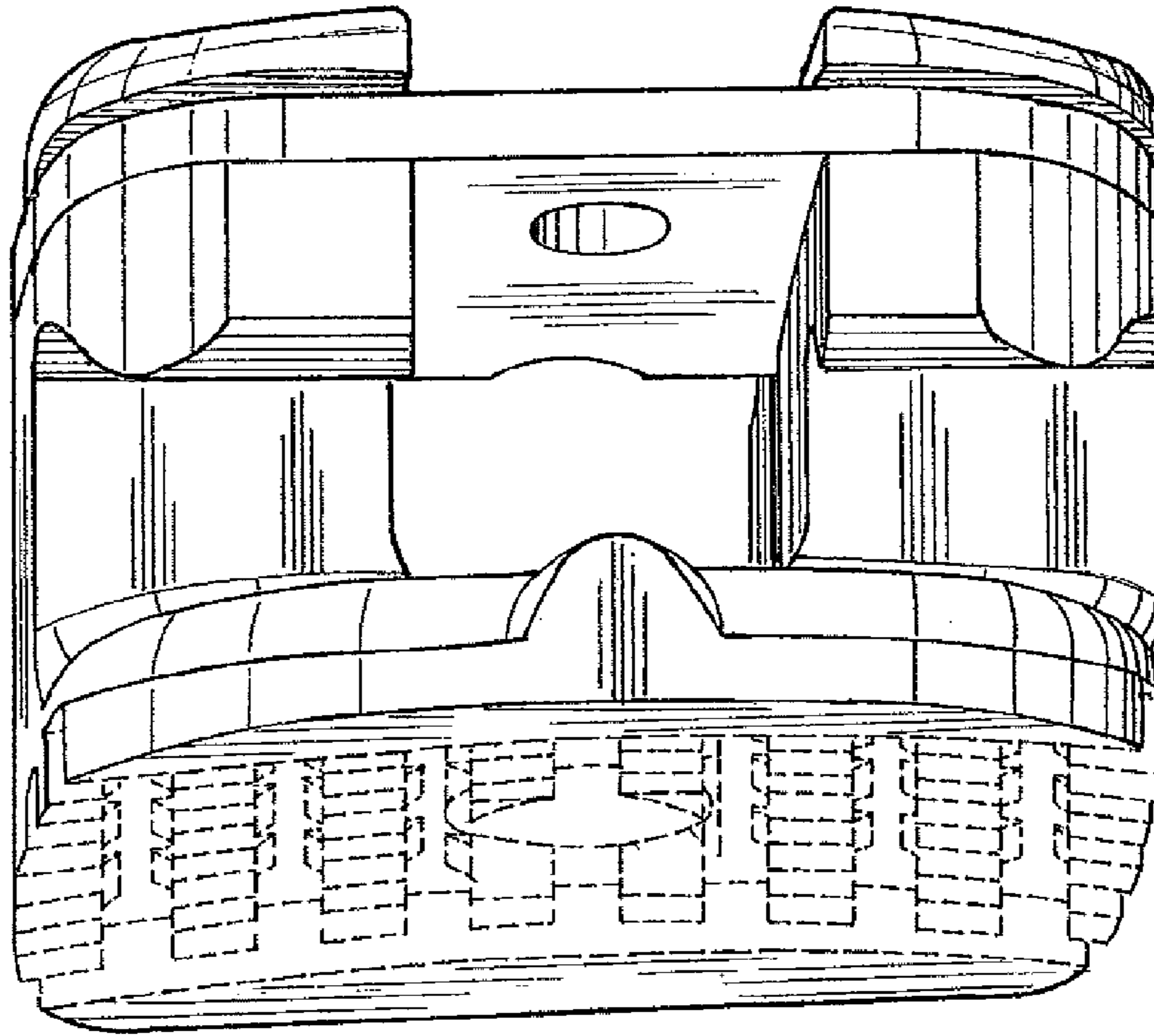


Fig. 5

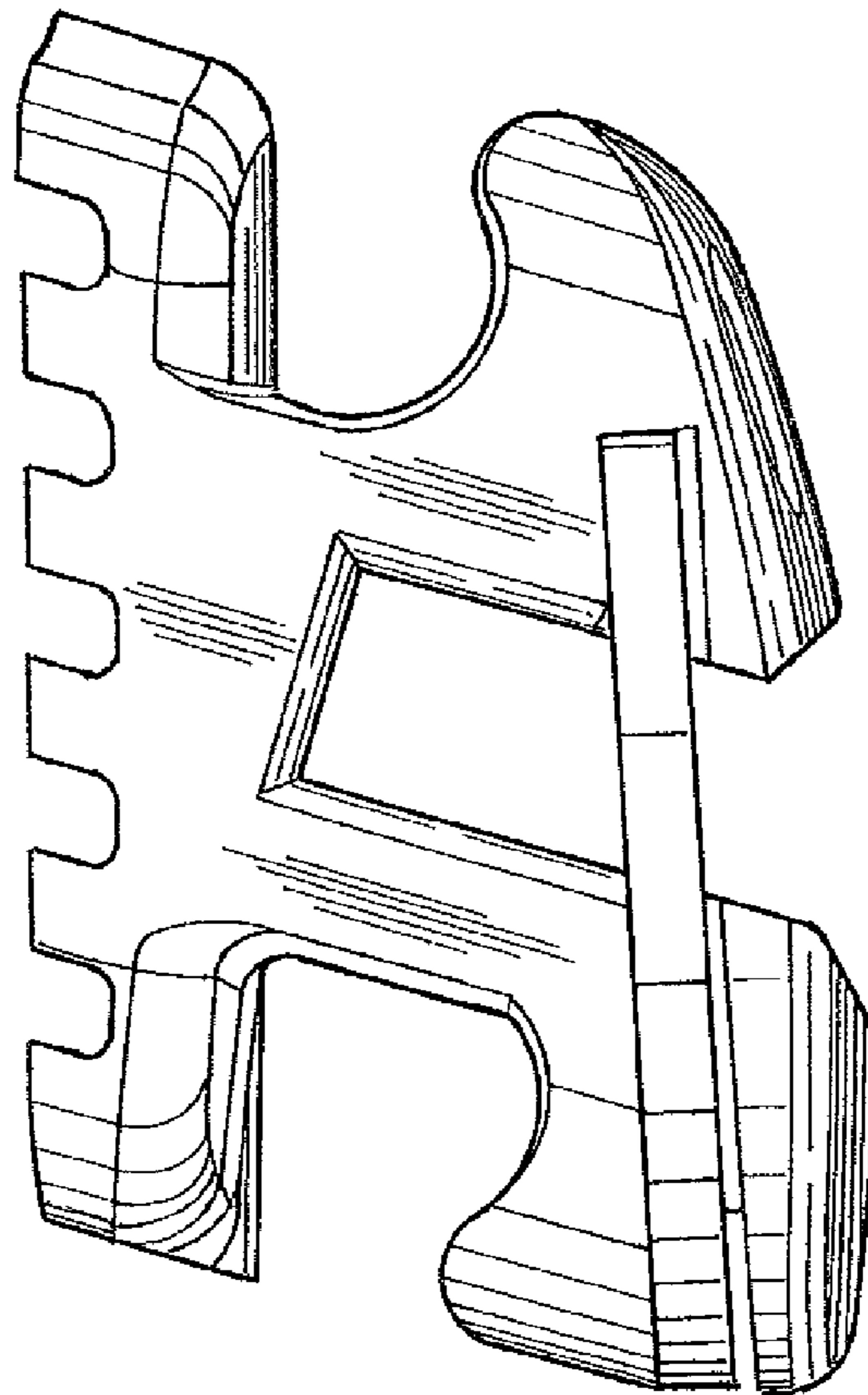


Fig. 6

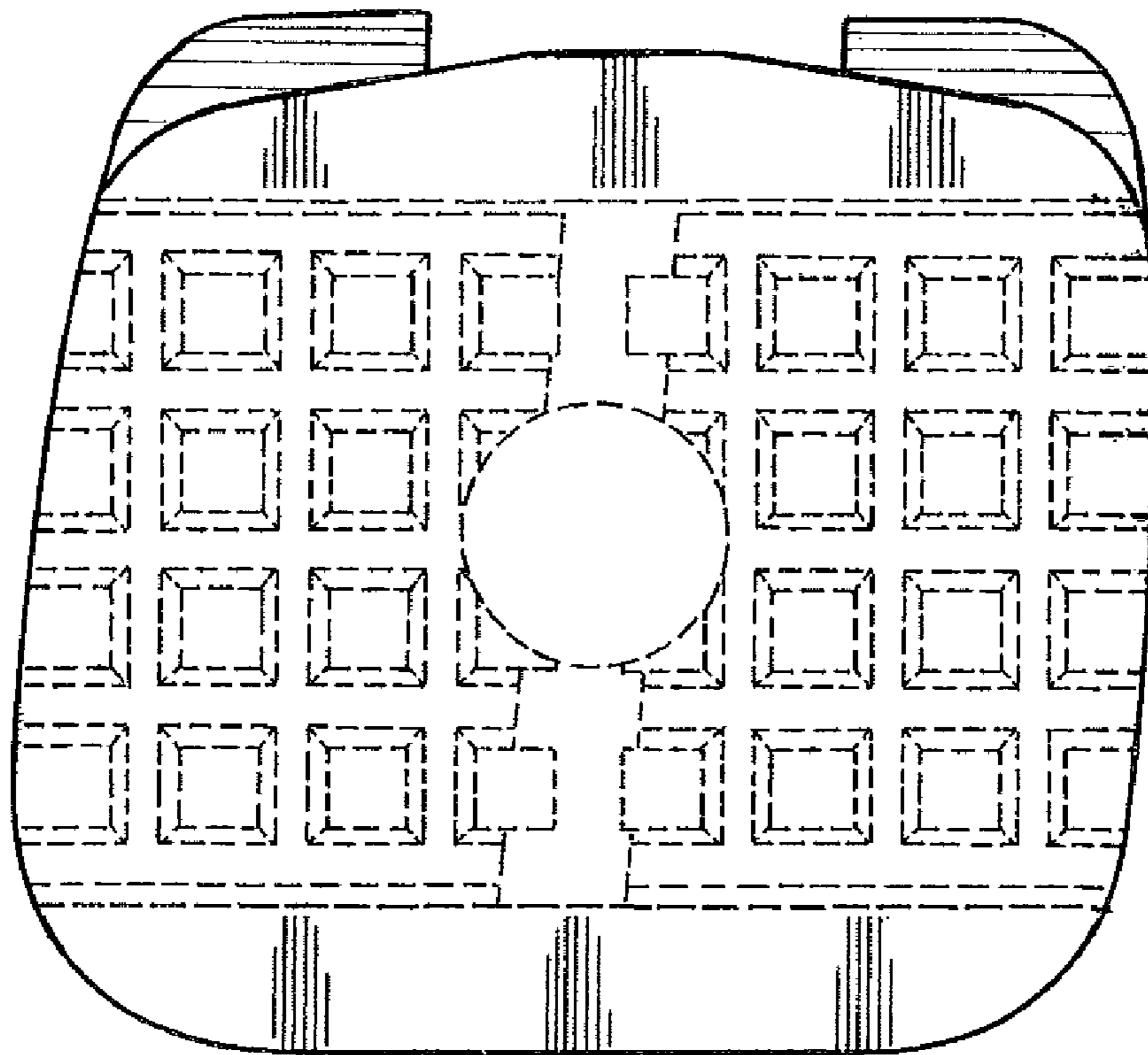


Fig. 7