



US00D648029S

(12) **United States Design Patent**
Presta et al.

(10) **Patent No.:** **US D648,029 S**
(45) **Date of Patent:** **** Nov. 1, 2011**

(54) **ANALYTE METER**

(75) Inventors: **Matthew P. Presta**, San Mateo, CA (US); **Ronaldo F. Carreon**, San Francisco, CA (US); **William J. Evans**, San Francisco, CA (US); **Phillip Halbert**, San Francisco, CA (US)

D369,864 S 5/1996 Petersen
5,515,170 A 5/1996 Matzinger et al.
D371,198 S 6/1996 Savage et al.
D371,440 S 7/1996 Petersen
D371,605 S 7/1996 Wong et al.
D376,763 S 12/1996 Flora et al.
D378,612 S 3/1997 Clark et al.
5,705,936 A 1/1998 Gibson et al.

(Continued)

(73) Assignee: **Abbott Diabetes Care, Inc.**, Alameda, CA (US)

(**) Term: **14 Years**

(21) Appl. No.: **29/355,474**

(22) Filed: **Feb. 8, 2010**

(51) **LOC (9) Cl.** **24-01**

(52) **U.S. Cl.** **D24/169**

(58) **Field of Classification Search** D24/164-169,
D24/107, 186, 187; D10/46, 78, 81; 435/14,
435/287.1; 422/56, 58, 68.1; 600/316, 322,
600/365, 368; D14/341

See application file for complete search history.

(56) **References Cited**

U.S. PATENT DOCUMENTS

D249,892 S 10/1978 Aul et al.
4,627,445 A 12/1986 Garcia et al.
4,637,403 A 1/1987 Garcia et al.
4,787,398 A 11/1988 Garcia et al.
D318,331 S 7/1991 Phillips et al.
5,029,583 A 7/1991 Meserol et al.
D323,893 S 2/1992 Arioka
D324,570 S 3/1992 Arioka et al.
D325,975 S 5/1992 Grade et al.
D332,833 S 1/1993 Lauks et al.
D351,469 S 10/1994 Okamoto et al.
5,397,537 A 3/1995 Kanda et al.
5,424,035 A 6/1995 Hones et al.
5,445,967 A 8/1995 Deuter
D369,216 S 4/1996 Micinski et al.

FOREIGN PATENT DOCUMENTS

WO WO 2010/024971 3/2010

(Continued)

OTHER PUBLICATIONS

Boehringer Mannheim Corp., Accu-Chek® Advantage™ Blood Glucose Monitor, User's Manual.

(Continued)

Primary Examiner — Anhdao Doan

(74) *Attorney, Agent, or Firm* — Edward J. Baba; Bozicevic, Field & Francis LLP

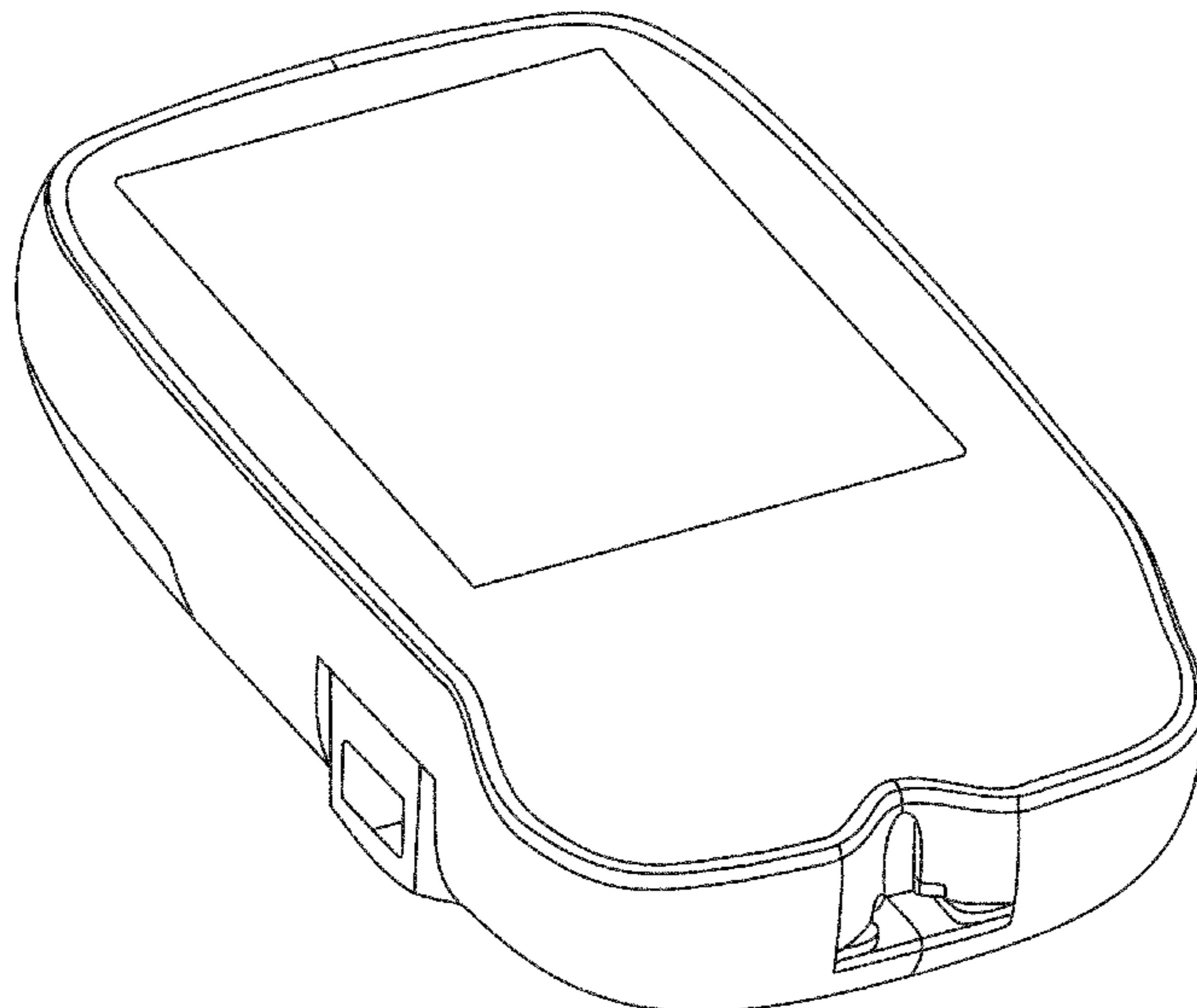
(57) **CLAIM**

The ornamental design for an analyte meter, as shown and described.

DESCRIPTION

FIG. 1 is a perspective view of an analyte meter, showing our new design, FIG. 2 is a front view of the analyte meter of FIG. 1, FIG. 3 is a rear view of the analyte meter of FIG. 1, FIG. 4 is a first side view of the analyte meter of FIG. 1; and, FIG. 5 is a second side view of the analyte meter of FIG. 1. The broken line showing of structural features is included for the purpose of illustrating non-claimed subject matter and forms no part of the claimed design.

1 Claim, 5 Drawing Sheets



U.S. PATENT DOCUMENTS

5,714,123 A 2/1998 Sohrab
D392,740 S 3/1998 Yung et al.
D393,313 S 4/1998 Meisner et al.
D393,314 S 4/1998 Meisner et al.
D399,565 S 10/1998 Prokop et al.
D399,566 S 10/1998 Sohrab et al.
D399,959 S 10/1998 Prokop et al.
D399,960 S 10/1998 Prokop et al.
D402,369 S 12/1998 Prokop et al.
D406,895 S 3/1999 Byrd et al.
D411,621 S 6/1999 Eisenbarth et al.
D417,504 S 12/1999 Love et al.
D418,602 S 1/2000 Prokop et al.
D424,696 S 5/2000 Ray et al.
D426,638 S 6/2000 Ray et al.
D440,312 S 4/2001 Bertrand et al.
6,377,894 B1* 4/2002 Deweese et al. 422/68.1
6,424,847 B1 7/2002 Mastrototaro et al.
D465,026 S 10/2002 May et al.
D465,849 S 11/2002 May et al.
6,506,168 B1 1/2003 Fathallah et al.
6,514,460 B1 2/2003 Fendrock
D471,280 S 3/2003 Jaeck
D471,983 S 3/2003 Hippolyte et al.
D473,310 S 4/2003 Schlagheck et al.
6,562,625 B2 5/2003 Modzelewski et al.
D484,600 S 12/2003 Kaar et al.
6,706,159 B2 3/2004 Moerman et al.
D493,536 S 7/2004 Jaeck et al.
D495,418 S 8/2004 Rounds et al.
D496,461 S 9/2004 Neel et al.
D499,805 S 12/2004 D'Agostino
D510,711 S 10/2005 Syme et al.
D518,397 S 4/2006 Sydlowski et al.
D520,888 S 5/2006 Sydlowski et al.
D533,095 S 12/2006 Kaushal et al.
D534,445 S 1/2007 Kaushal et al.
D581,056 S* 11/2008 Kurokawa et al. D24/186
D585,135 S* 1/2009 Mori et al. D24/169
D611,151 S* 3/2010 Lei D24/169
2002/0115912 A1 8/2002 Muraki et al.
2002/0161288 A1 10/2002 Shin et al.
2003/0021729 A1 1/2003 Moller et al.
2003/0119202 A1 6/2003 Kaylor et al.
2003/0159944 A1 8/2003 Pottgen et al.

2004/0073095 A1 4/2004 Causey et al.
2006/0040333 A1 2/2006 Zocchi
2006/0259676 A1* 11/2006 Oberding et al. 600/365

FOREIGN PATENT DOCUMENTS

WO WO 2010/033503 3/2010

OTHER PUBLICATIONS

Boehringer Mannheim Corp., Accu-Chek® Easy™, Blood Glucose Monitoring System, User's Manual, © 1995.
Boehringer Mannheim Corp., Accu-Chek® Instant™, Blood Glucose Monitoring System, User's Manual.
Lifescan, Inc., One Touch® Basic™, Blood Glucose Monitoring System, Owner's Booklet, © 1993. Rev. Feb. 1993.
Lifescan, Inc., One Touch® Profile™, Diabetes Tracking System, Owner's Booklet, © 1995.
Lifescan, Inc., One Touch®, Ultra Smart™ Blood Glucose Monitoring System, Owner's Booklet, © 2002, cover pages and pp. x, 2.
Lifescan, Inc., Surestep™, Complete Blood Glucose Monitoring System, Owner's Booklet, © 1995.
MediSense, Inc., ExactTech® R.S.G™, Blood Glucose Testing System for In vitro Diagnostic Use, User's Manual, © 1996. Rev. Sep. 1996.*
MediSense, Inc., MediSense® 2, Blood Glucose Testing System for In Vitro Diagnostic Use, User's Manual, © 1994, Rev. Dec. 1994.*
MediSense, Inc., Pen™2 Companion™2 Sensor, Blood Glucose Testing System, User's Manual, © 1992. Rev. Dec. 1992.*
MediSense, Inc., Precision Q.I.D™ Blood Glucose Testing System for In Vitro Diagnostic Use, User's Manual. 01994. Rev. Dec. 1994.*
Miles, Inc., Glucometer Elite™, Diabetes Care System, User guide, © 1993. Rev. Feb. 1993.*
Miles, Inc., Glucometer Encore™, Diabetes Care System, User Guide, © 1994. Rev. Mar. 1994.*
Photographs (3) of Bayer Glucometer Elite.*
Photographs (3) of Bayer Glucometer Encore.*
Photographs (3) of Boehringer Mannheim Accu-Check Advantage.*
Photographs (3) of Boehringer Mannheim Accu-Check Easy.*
Photographs (3) of Boehringer Mannheim Accu-Check Instant.*
Photographs (3) of Lifescan One Scan Basic.*
Photographs (3) of Lifescan One Touch Profile.
Photographs (3) of Lifescan SureStep.
Photographs (3) of Sensorex.

* cited by examiner

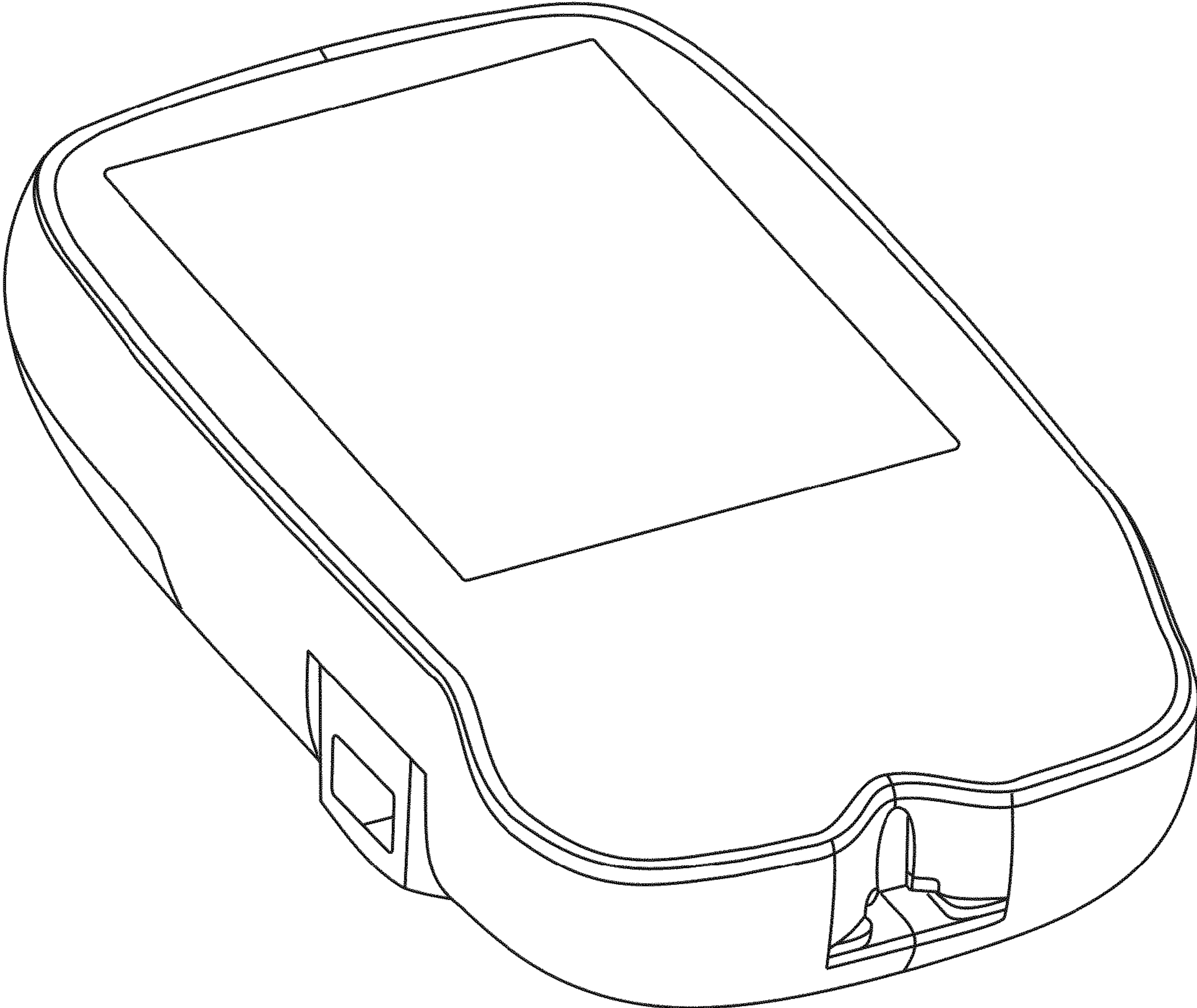


FIG. 1

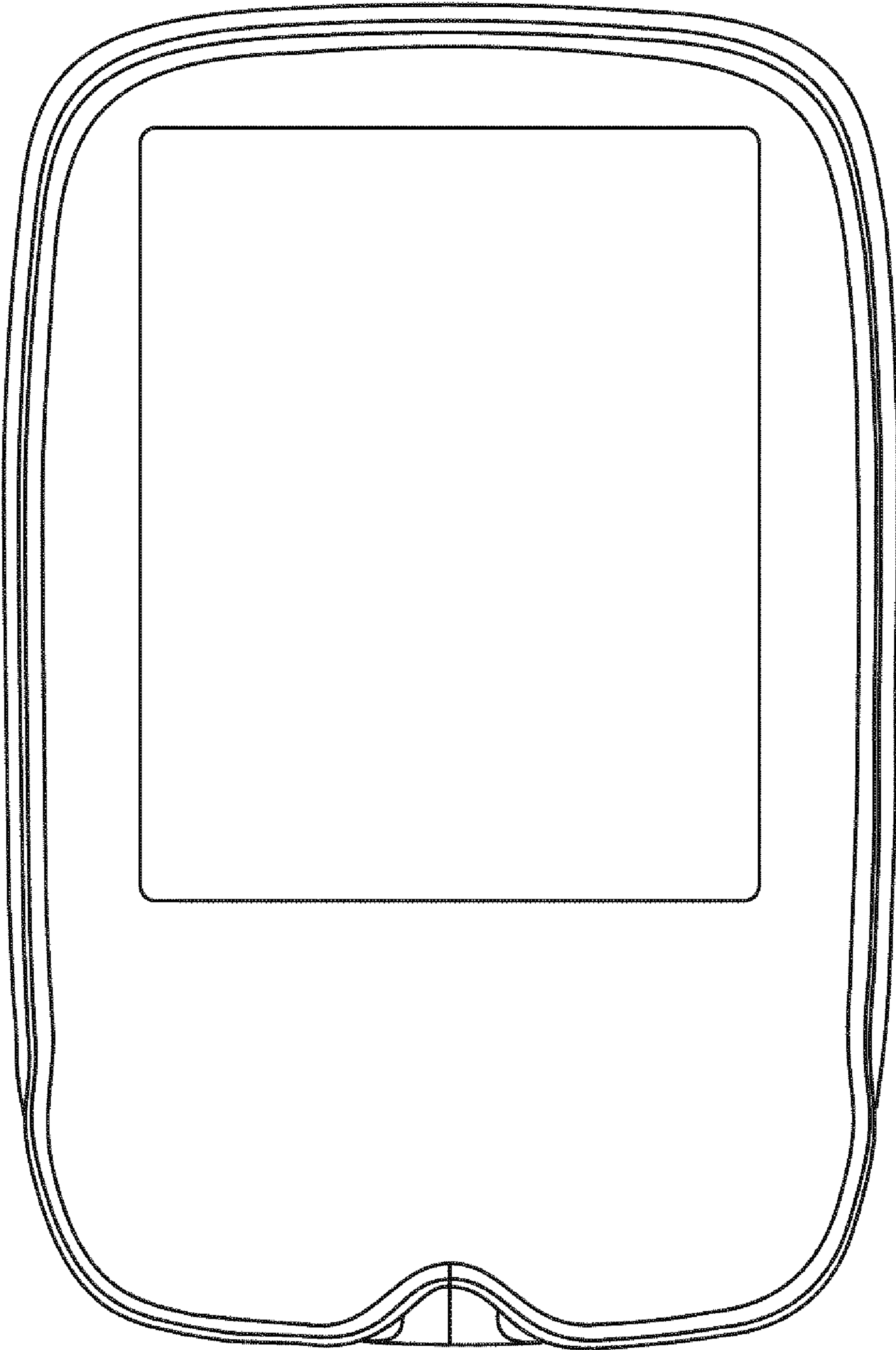


FIG. 2

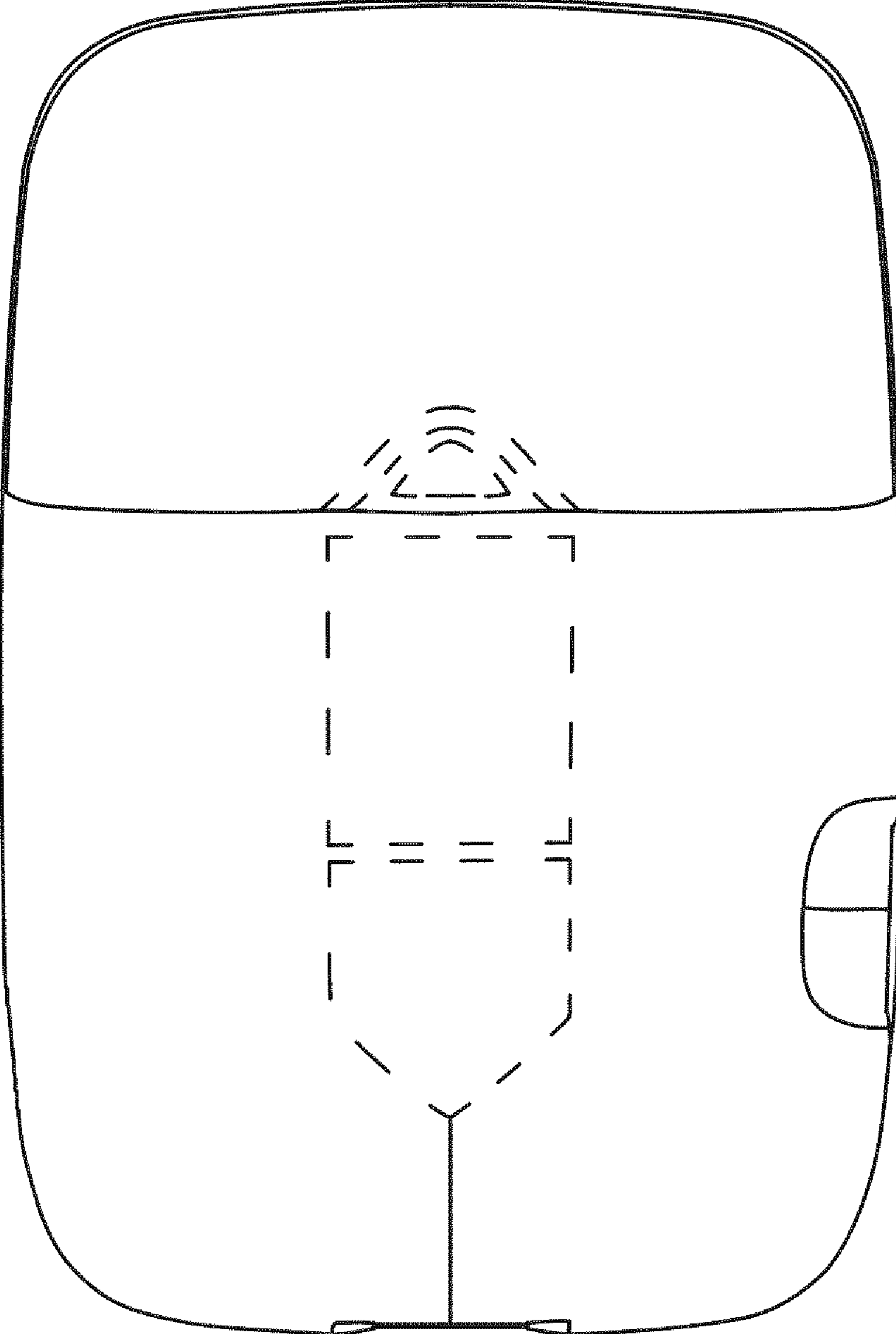


FIG. 3

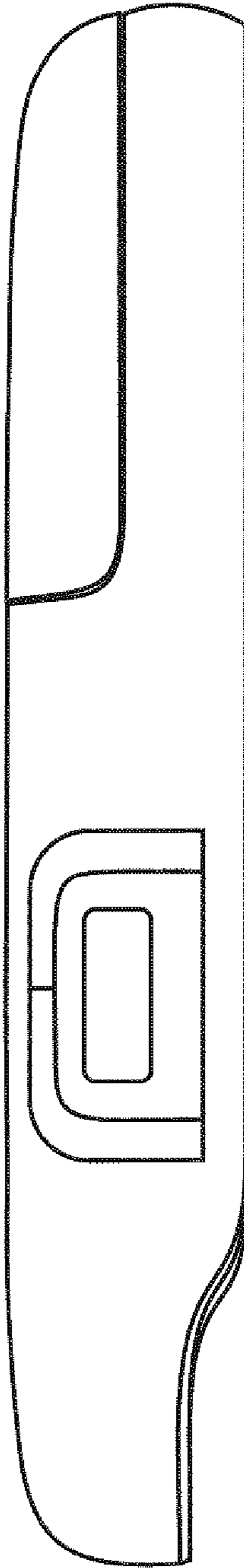


FIG. 4

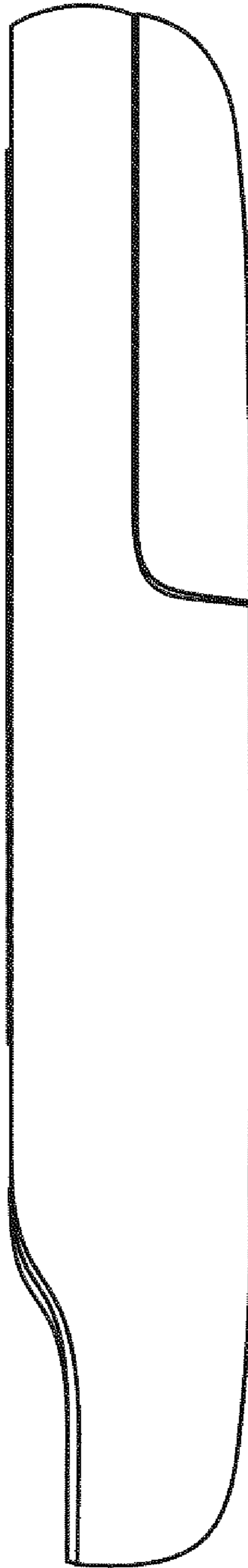


FIG. 5