



US00D648023S

(12) **United States Design Patent**
Nohara et al.

(10) **Patent No.:** **US D648,023 S**

(45) **Date of Patent:** **** Nov. 1, 2011**

(54) **PORTION OF AN ENDOSCOPE**

(75) Inventors: **Takeshi Nohara**, Hachioji (JP); **Kenji Tajima**, Hachioji (JP); **Naohiro Nakamura**, Hachioji (JP)

(73) Assignee: **Olympus Medical Systems Corp.**, Tokyo (JP)

(**) Term: **14 Years**

(21) Appl. No.: **29/384,076**

(22) Filed: **Jan. 26, 2011**

(30) **Foreign Application Priority Data**

Jul. 30, 2010 (JP) 2010-018612

(51) **LOC (9) Cl.** **24-02**

(52) **U.S. Cl.** **D24/138**

(58) **Field of Classification Search** D24/133,
D24/137, 138; 600/131, 132, 145-147
See application file for complete search history.

(56) **References Cited**

U.S. PATENT DOCUMENTS

D269,457 S *	6/1983	Ishiwara	D24/138
D277,405 S *	1/1985	Imada	D24/138
D277,406 S *	1/1985	Imada	D24/138
D277,407 S *	1/1985	Imada	D24/138
D277,505 S *	2/1985	Kubokawa et al.	D24/138
D481,124 S *	10/2003	Hayamizu	D24/138
D486,910 S *	2/2004	Hayamizu et al.	D24/138
D493,529 S *	7/2004	Hayamizu et al.	D24/138
D498,846 S *	11/2004	Hayamizu et al.	D24/138
D534,656 S *	1/2007	Pilvisto et al.	D24/138
D535,393 S *	1/2007	Pilvisto et al.	D24/138
D638,937 S *	5/2011	Tanaka	D24/138
2001/0018551 A1 *	8/2001	Komi	600/131

* cited by examiner

Primary Examiner — Bridget L Eland

(74) *Attorney, Agent, or Firm* — Scully, Scott, Murphy & Presser, P.C.

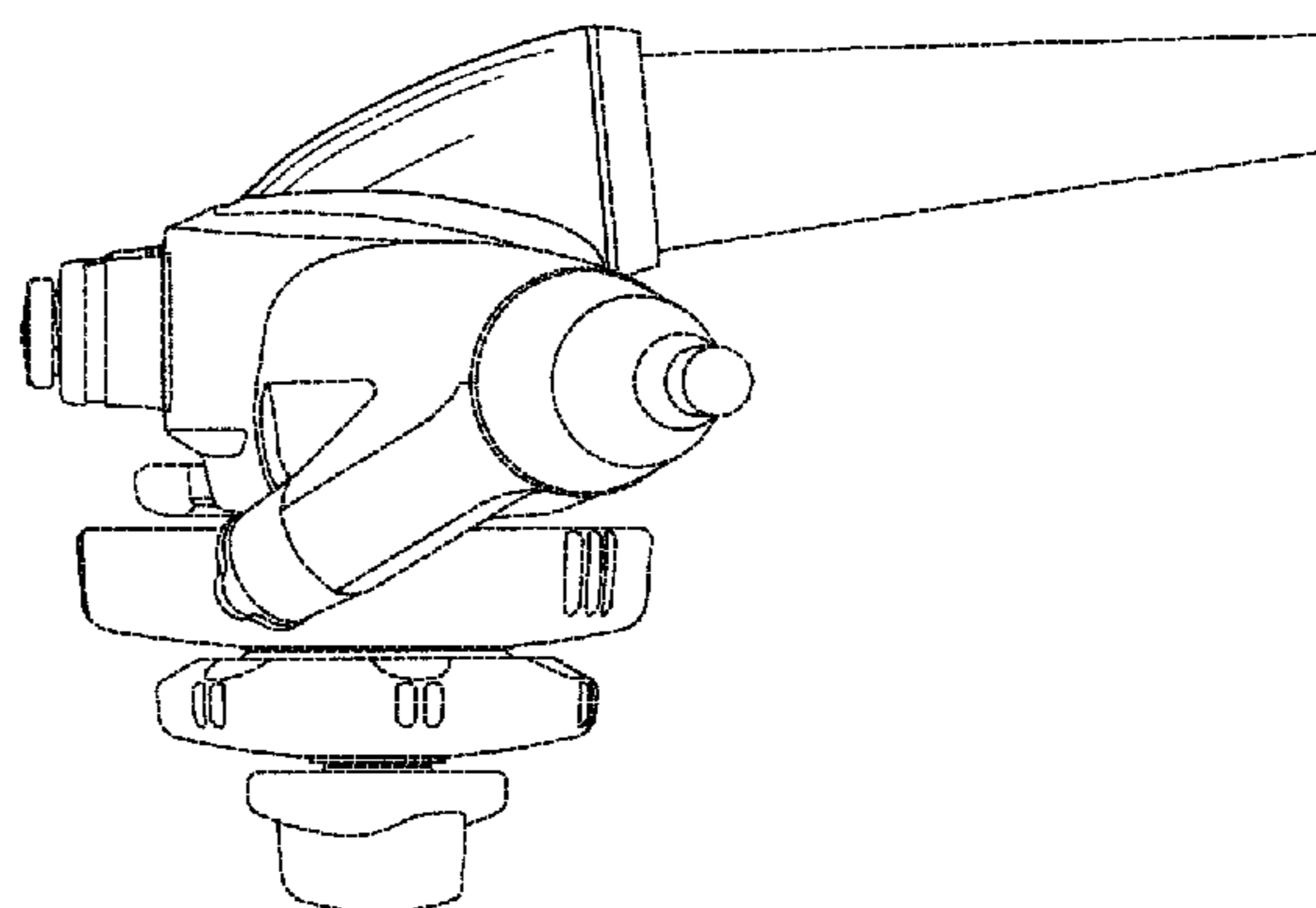
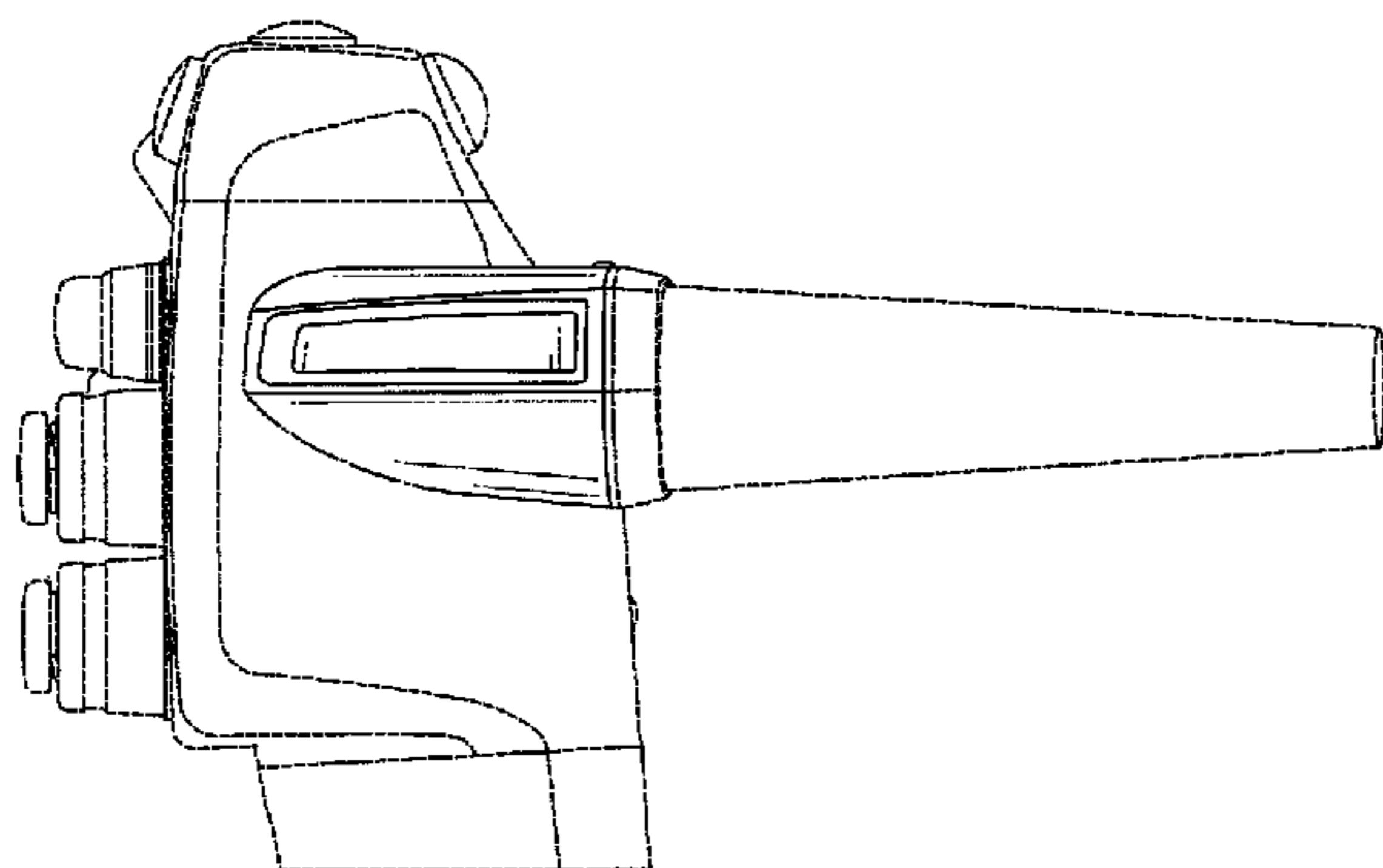
(57) **CLAIM**

The ornamental design for portion of an endoscope, as shown and described.

DESCRIPTION

FIG. 1 is a front, top and left side perspective view of portion of an endoscope, showing our new design;
 FIG. 2 is a front elevational view thereof;
 FIG. 3 is a rear elevational view thereof;
 FIG. 4 is a top plan view thereof;
 FIG. 5 is a bottom plan view thereof;
 FIG. 6 is a left side elevational view thereof;
 FIG. 7 is a right side elevational view thereof;
 FIG. 8 is an enlarged fragmented perspective view thereof, taken along the line 8-8 in FIG. 1;
 FIG. 9 is an enlarged fragmented perspective view thereof, taken along the line 9-9 in FIG. 2;
 FIG. 10 is an enlarged fragmented perspective view thereof, taken along the line 10-10 in FIG. 3;
 FIG. 11 is an enlarged top plan view thereof;
 FIG. 12 is an enlarged bottom plan view thereof;
 FIG. 13 is an enlarged fragmented perspective view thereof, taken along the line 13-13 in FIG. 7; and,
 FIG. 14 is an enlarged fragmented perspective view thereof, taken along the line 14-14 in FIG. 6.
 The broken lines immediately adjacent the shaded areas represent the bounds of the claimed design while all other broken lines are directed to environment and are for illustrative purposes only; the broken lines form no part of the claimed design.

1 Claim, 9 Drawing Sheets



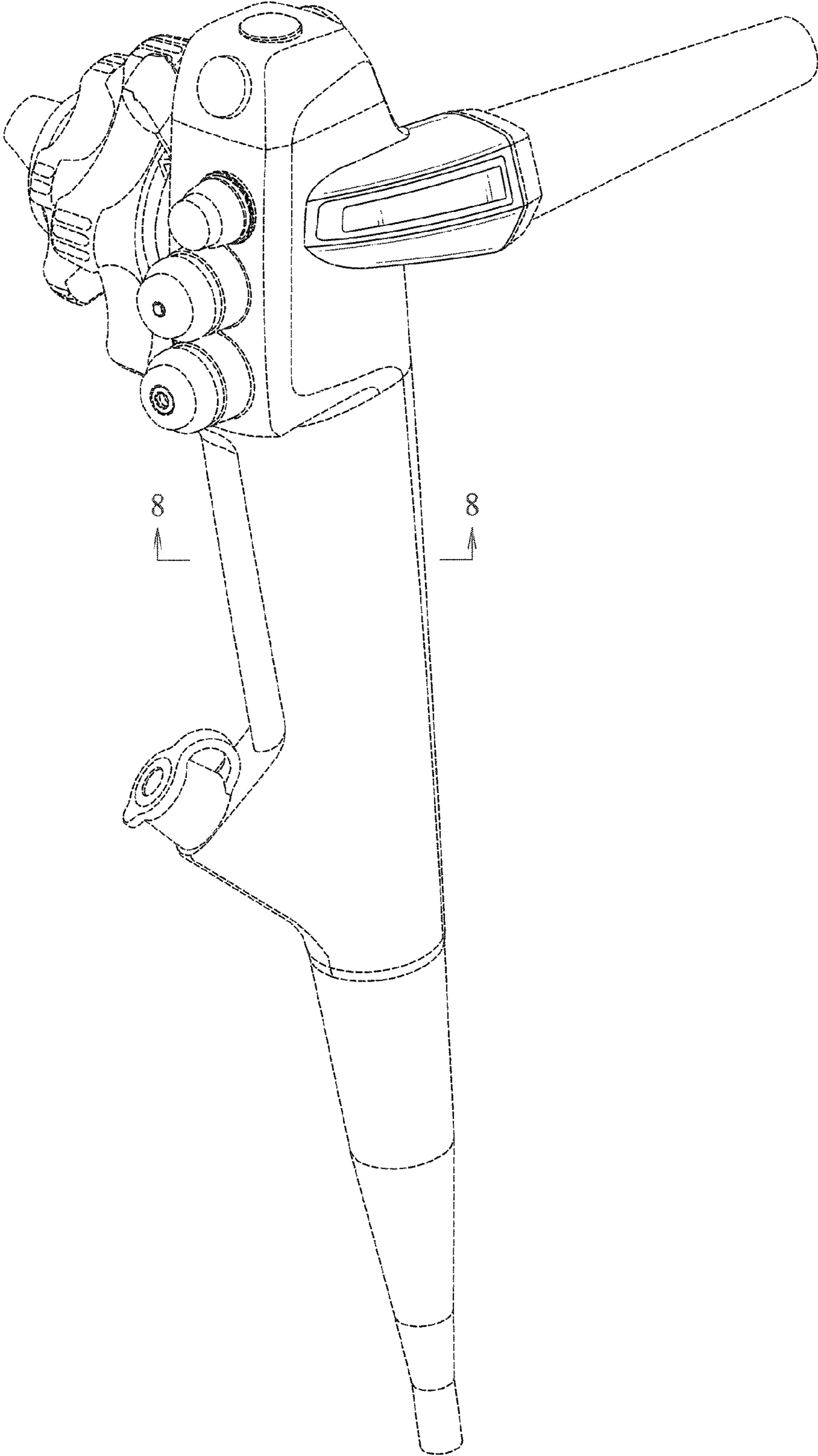


Fig. 1

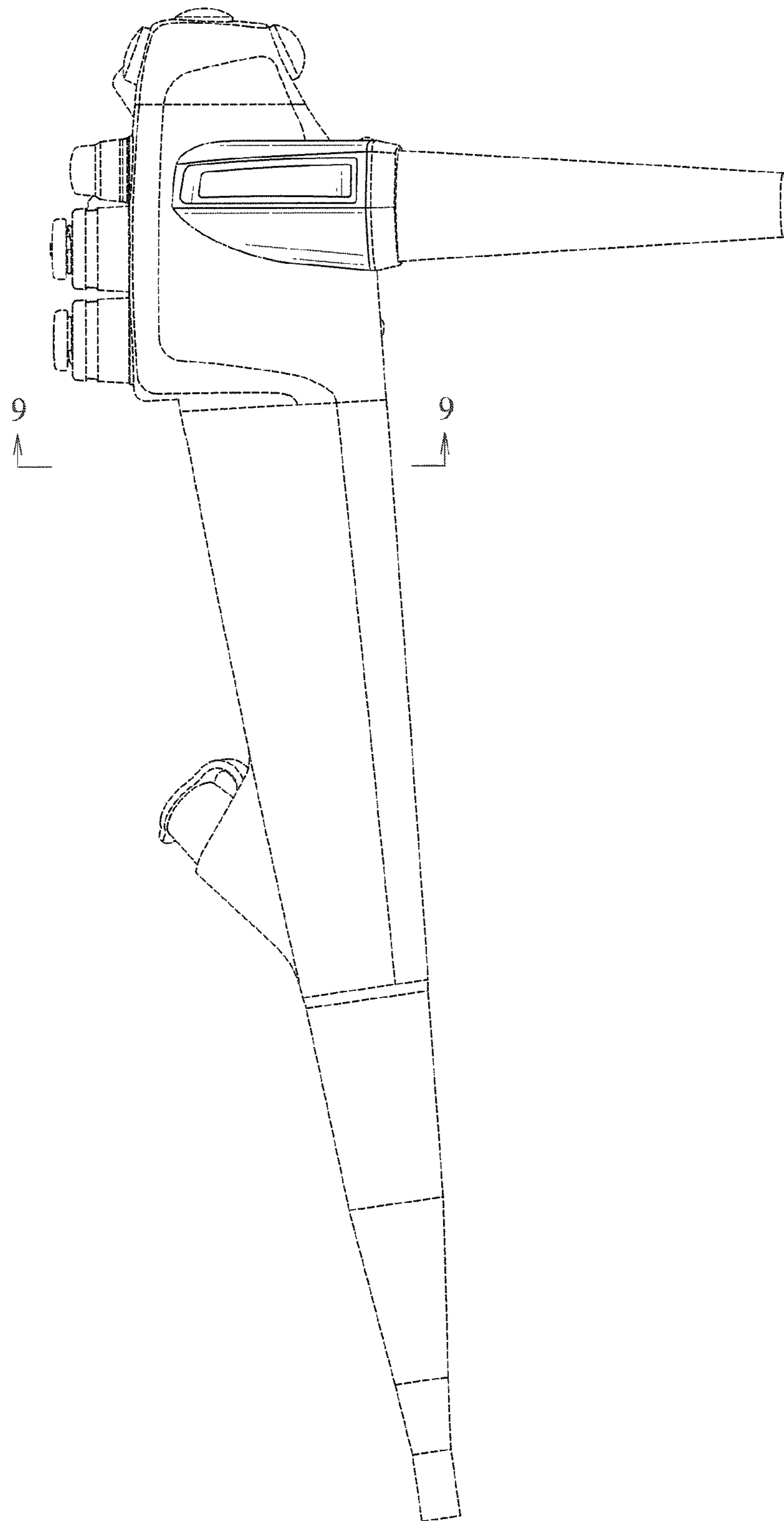


Fig. 2

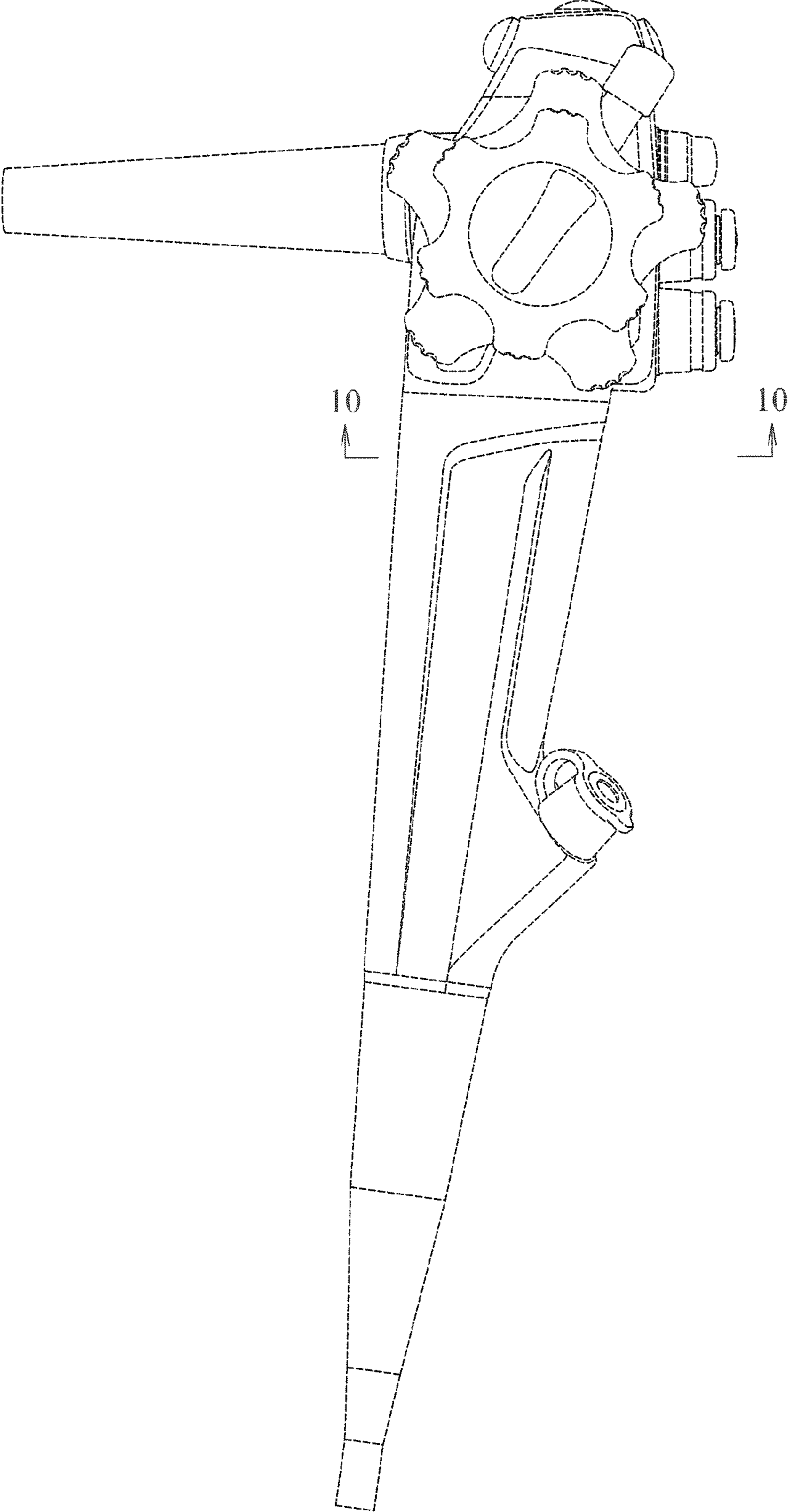


Fig. 3

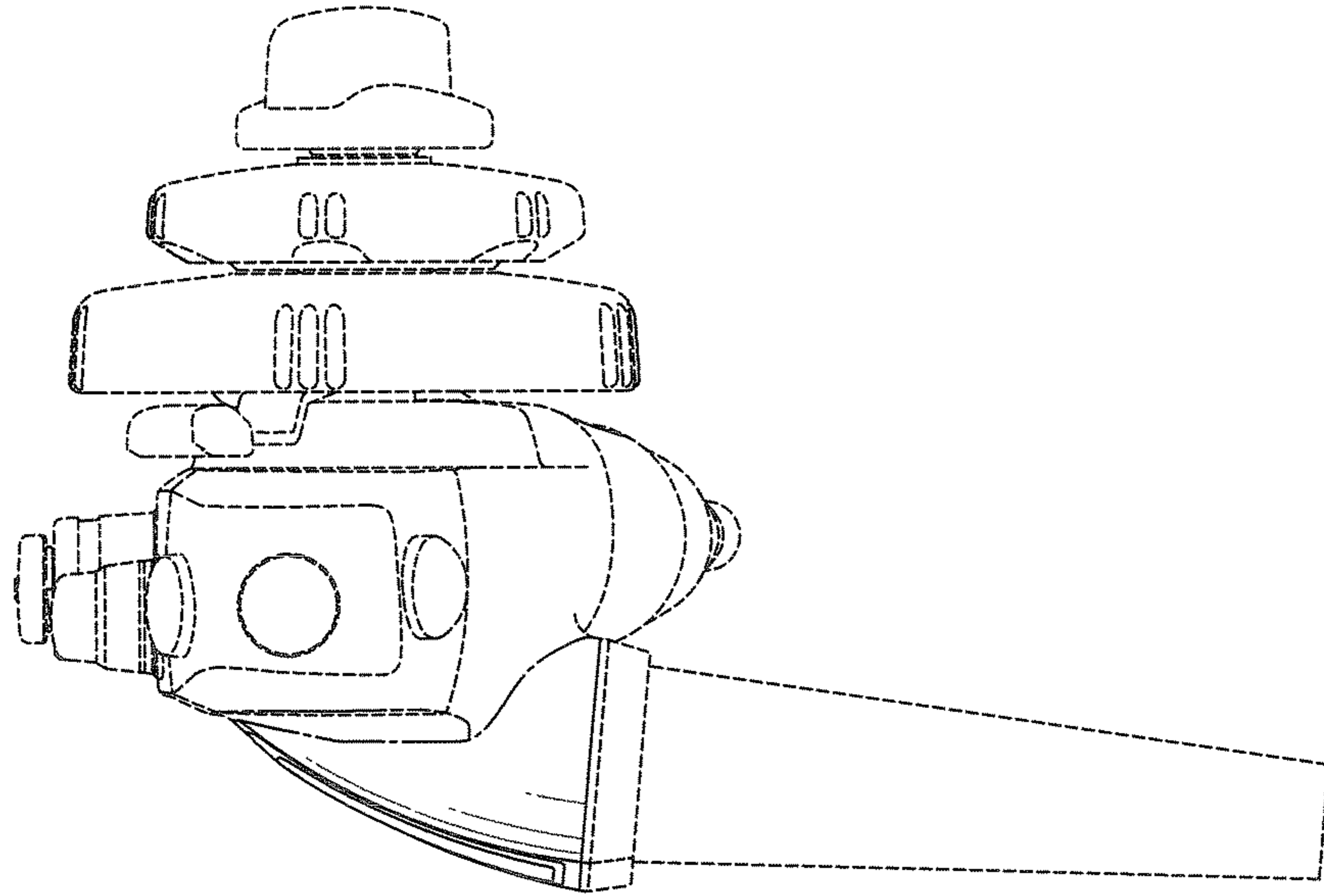


Fig. 4

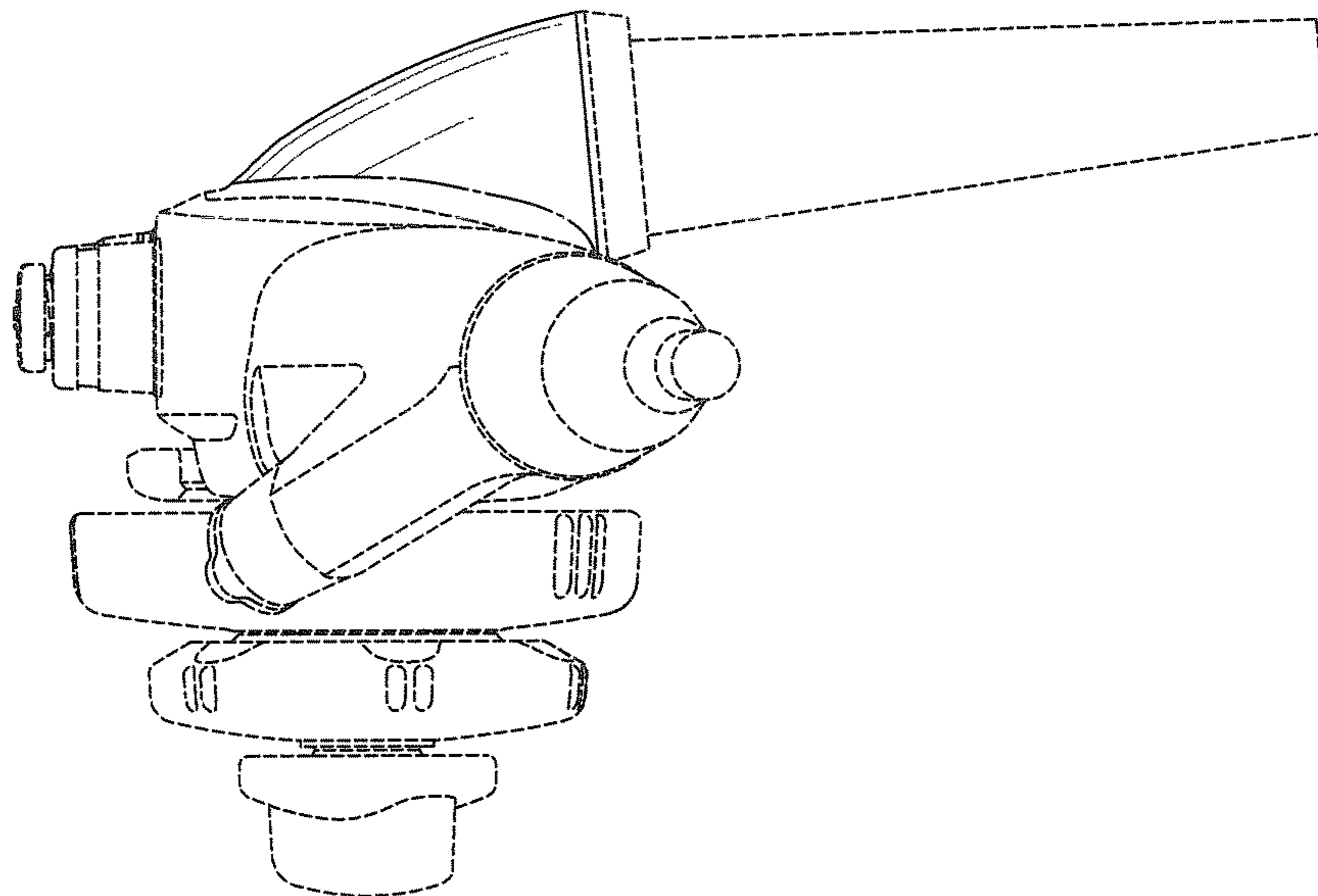


Fig. 5

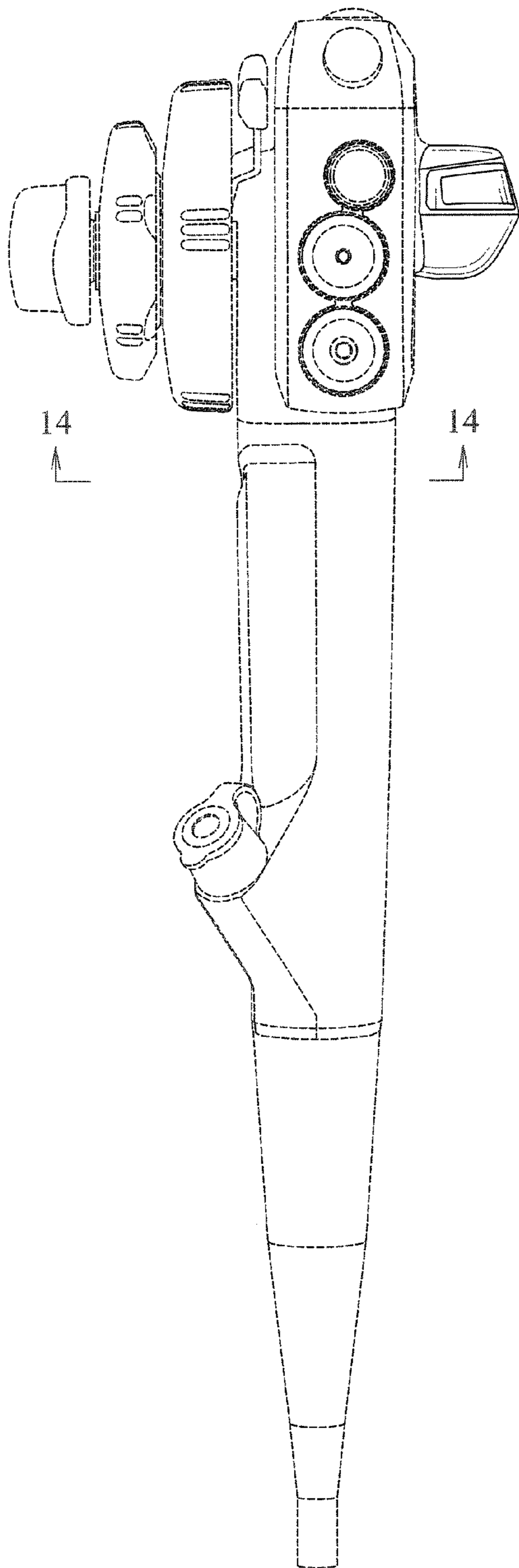


Fig. 6

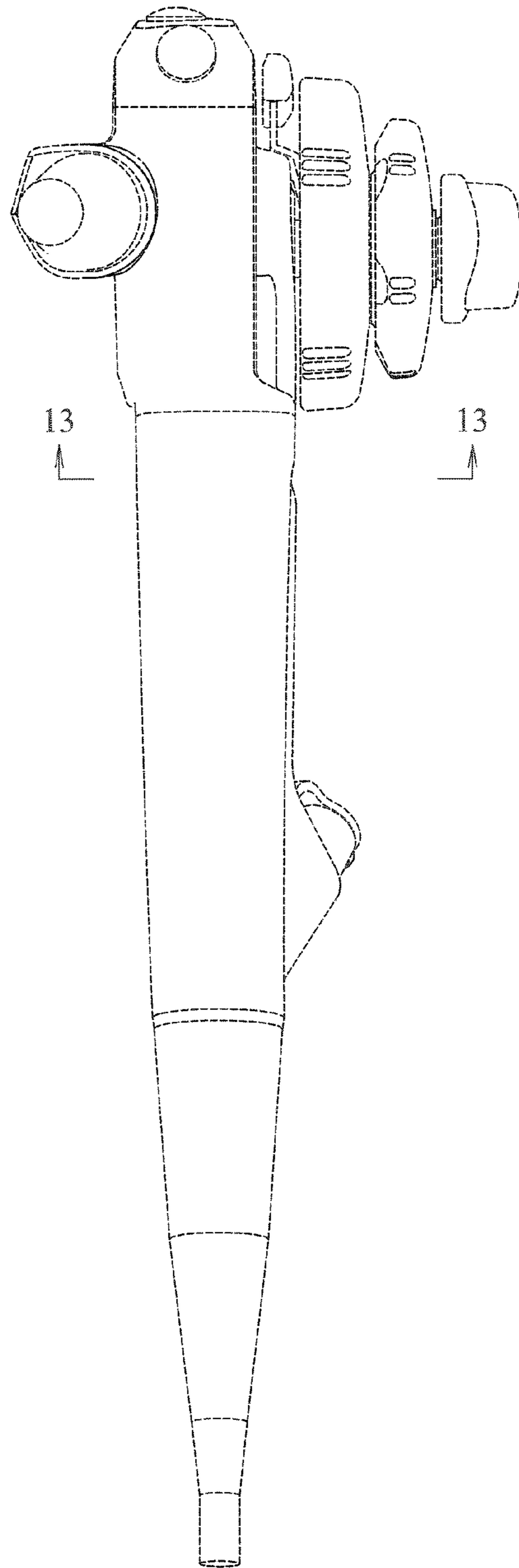


Fig. 7

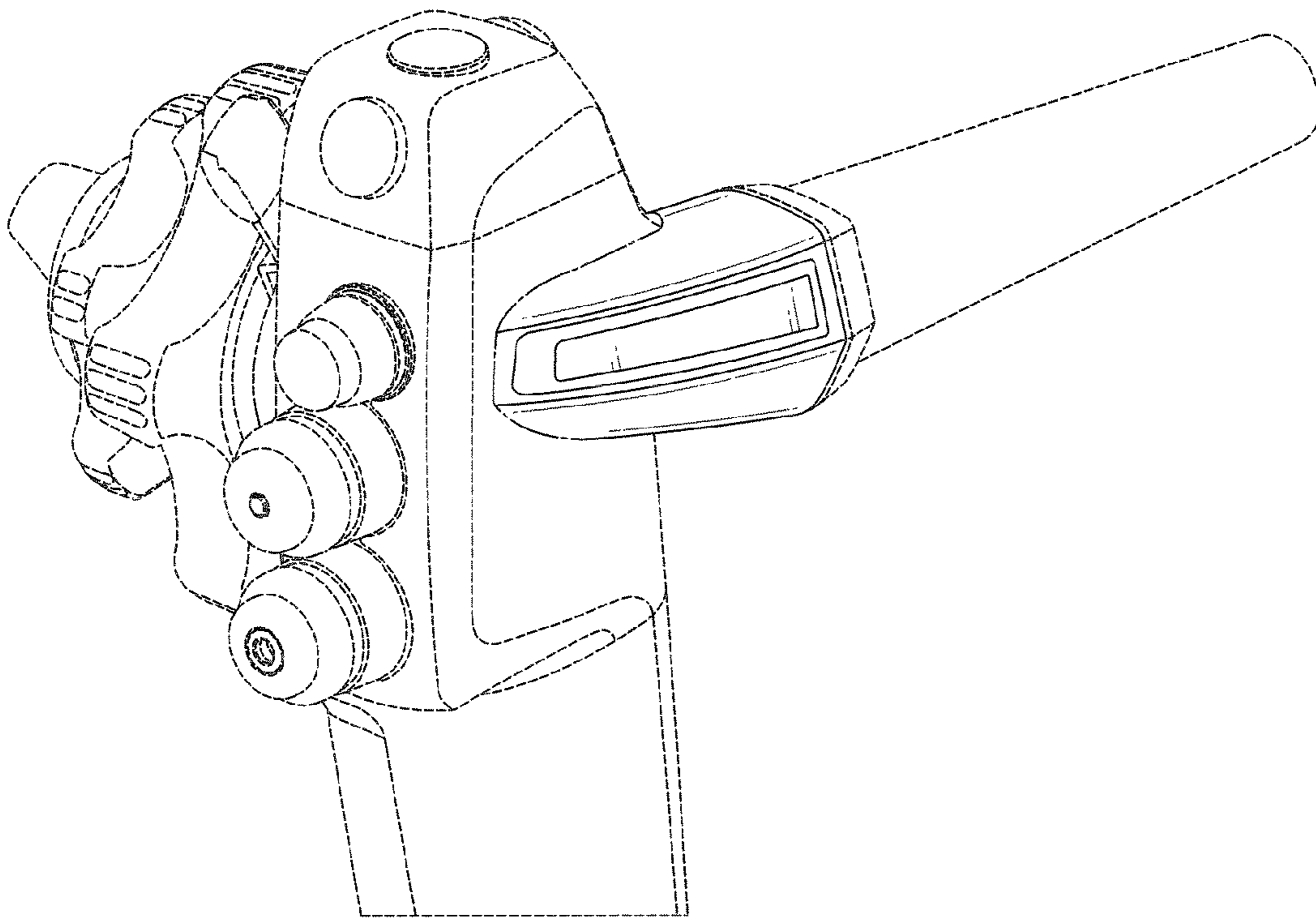


Fig. 8

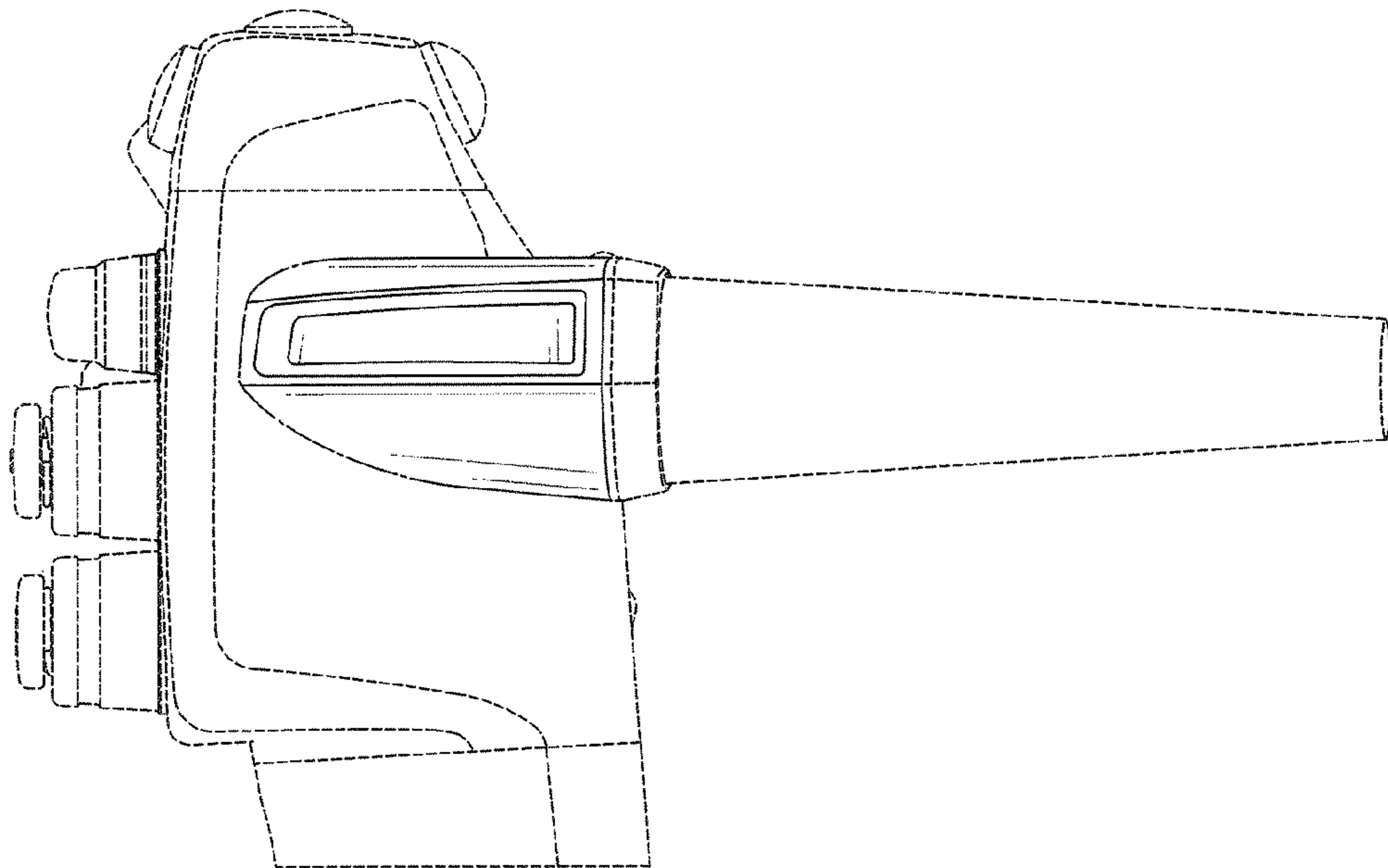


Fig. 9

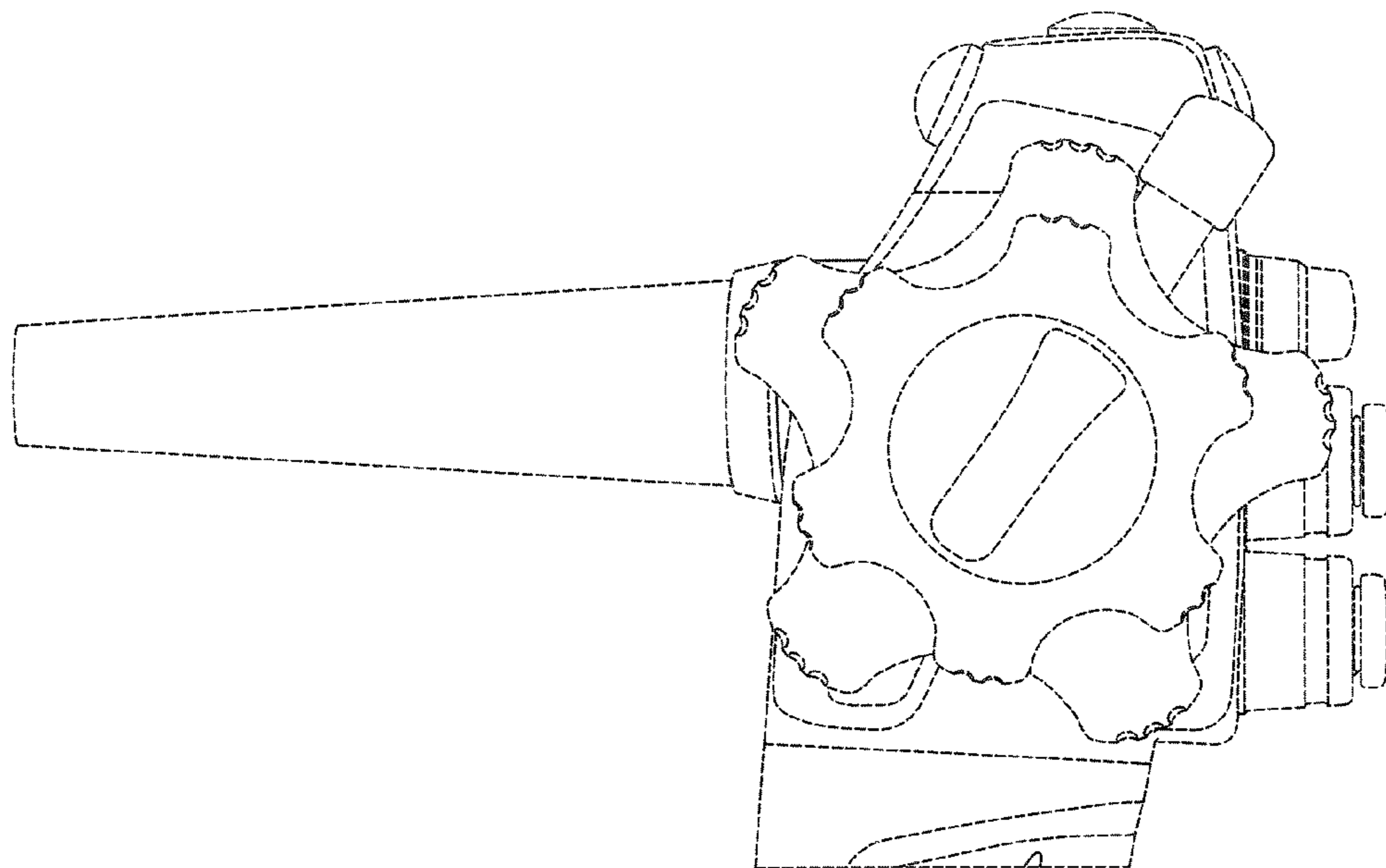


Fig. 10

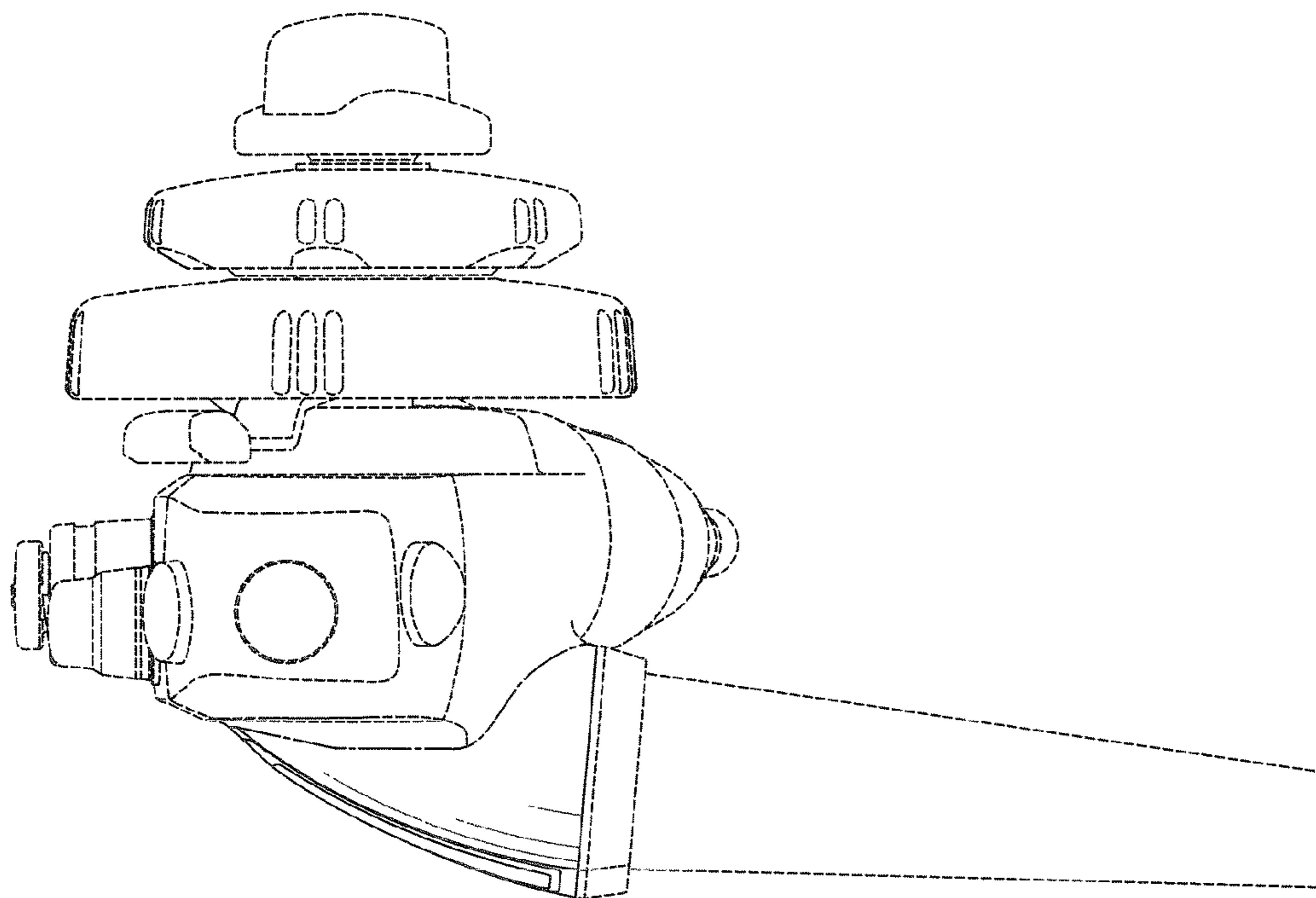


Fig. 11

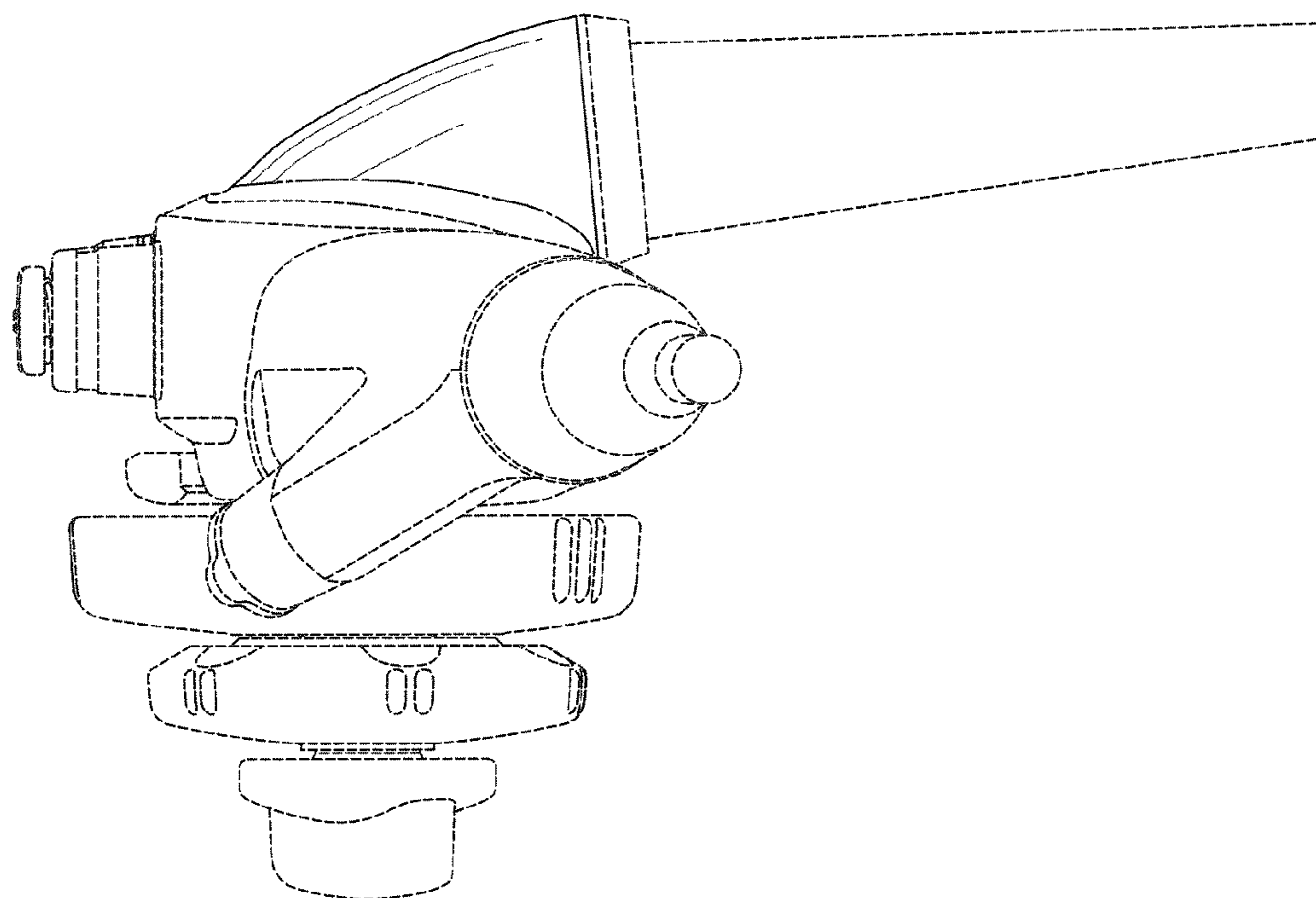


Fig. 12

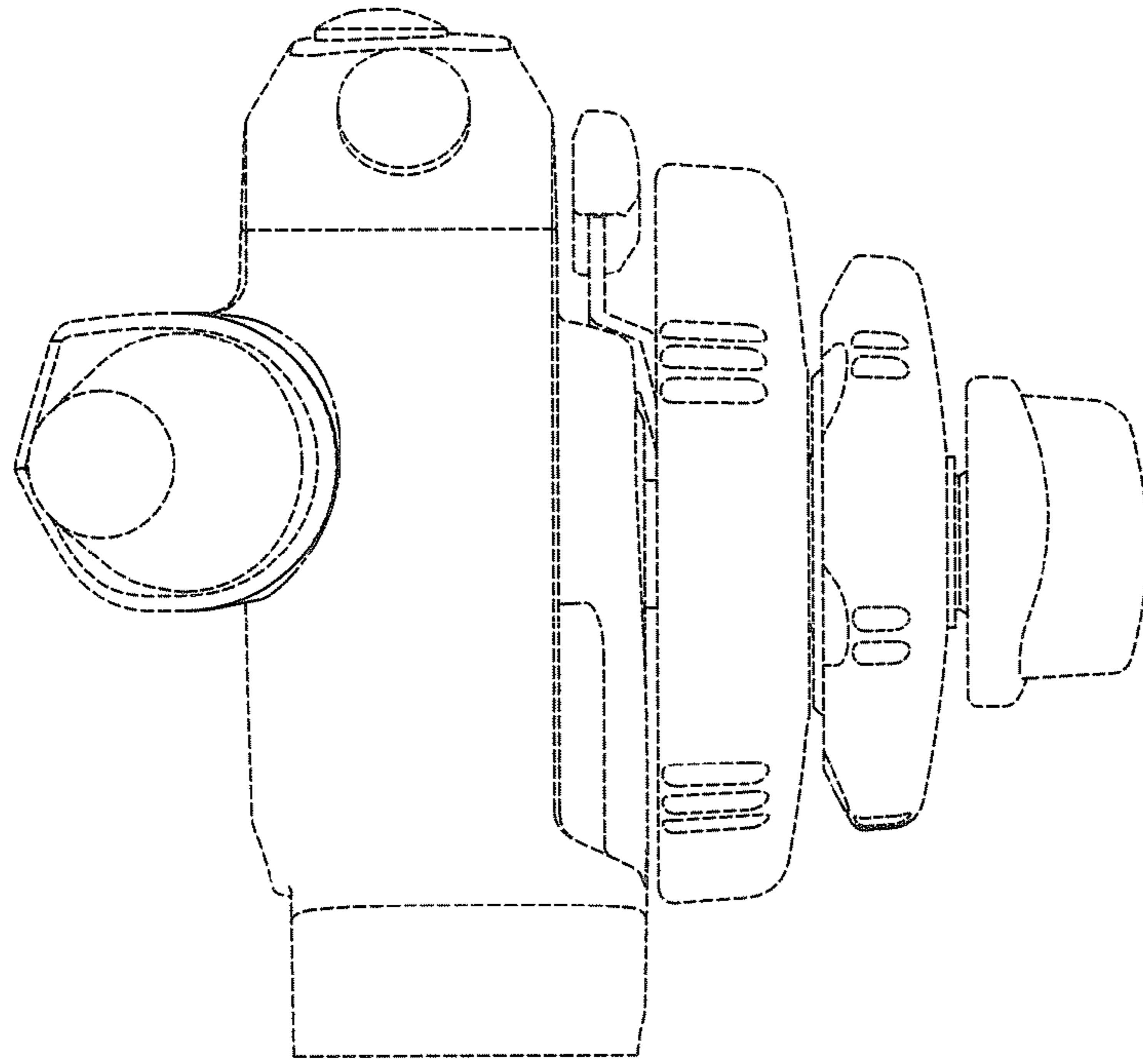


Fig. 13

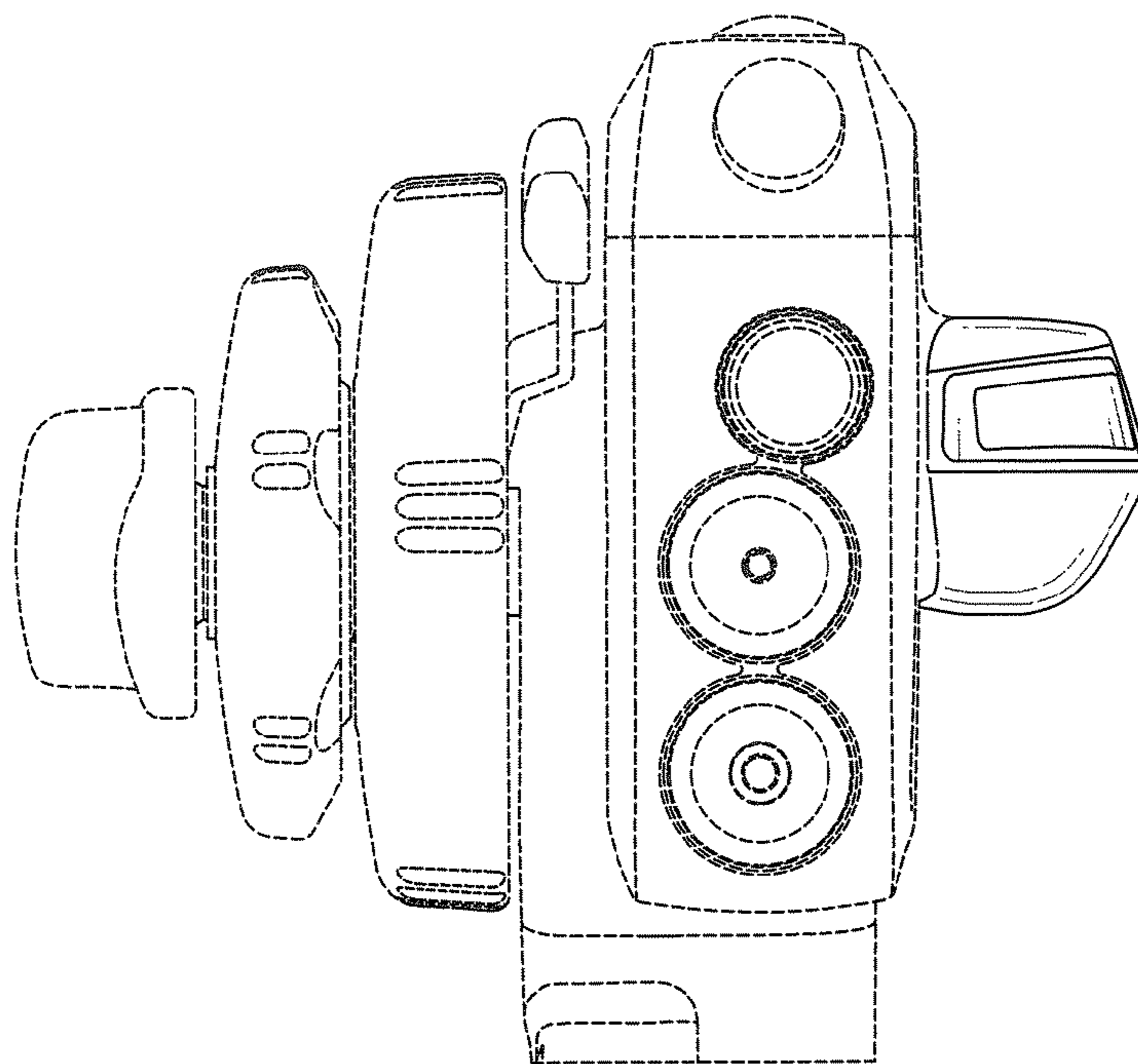


Fig. 14