



US00D648022S

(12) **United States Design Patent**  
**Becker**

(10) **Patent No.:** **US D648,022 S**

(45) **Date of Patent:** **\*\* Nov. 1, 2011**

(54) **OPTICAL BLOCK FOR AN ENDOSCOPE**

(75) Inventor: **Wolfram Becker**, Laer (DE)

(73) Assignee: **Karl Storz GmbH & Co. KG** (DE)

(\*\*) Term: **14 Years**

(21) Appl. No.: **29/378,702**

(22) Filed: **Nov. 8, 2010**

(30) **Foreign Application Priority Data**

May 7, 2010 (EM) ..... 001705849-0007

(51) **LOC (9) Cl.** ..... **24-02**

(52) **U.S. Cl.** ..... **D24/138**

(58) **Field of Classification Search** ..... D24/138,  
D24/137, 133; 600/101-183

See application file for complete search history.

(56) **References Cited**

**U.S. PATENT DOCUMENTS**

6,201,649	B1 *	3/2001	Rudischhauser et al. ....	359/808
6,245,011	B1 *	6/2001	Dudda et al. ....	600/104
6,743,166	B2 *	6/2004	Berci et al. ....	600/120
7,056,285	B2 *	6/2006	Kehr ....	600/163
D536,790	S *	2/2007	Michel et al. ....	D24/137
D548,340	S *	8/2007	Michel et al. ....	D24/138

D585,923	S *	2/2009	Berci .....	D16/130
D598,099	S *	8/2009	Halbig .....	D24/138
D611,599	S *	3/2010	Eisenkolb .....	D24/138
D611,600	S *	3/2010	Stammberger et al. ....	D24/138
D612,497	S *	3/2010	Berci .....	D24/138
2007/0088200	A1 *	4/2007	Dahmen et al. ....	600/182
2010/0022838	A1 *	1/2010	Hoeg .....	600/131

\* cited by examiner

*Primary Examiner* — Bridget L Eland

(74) *Attorney, Agent, or Firm* — St. Onge Steward Johnston & Reens LLC

(57) **CLAIM**

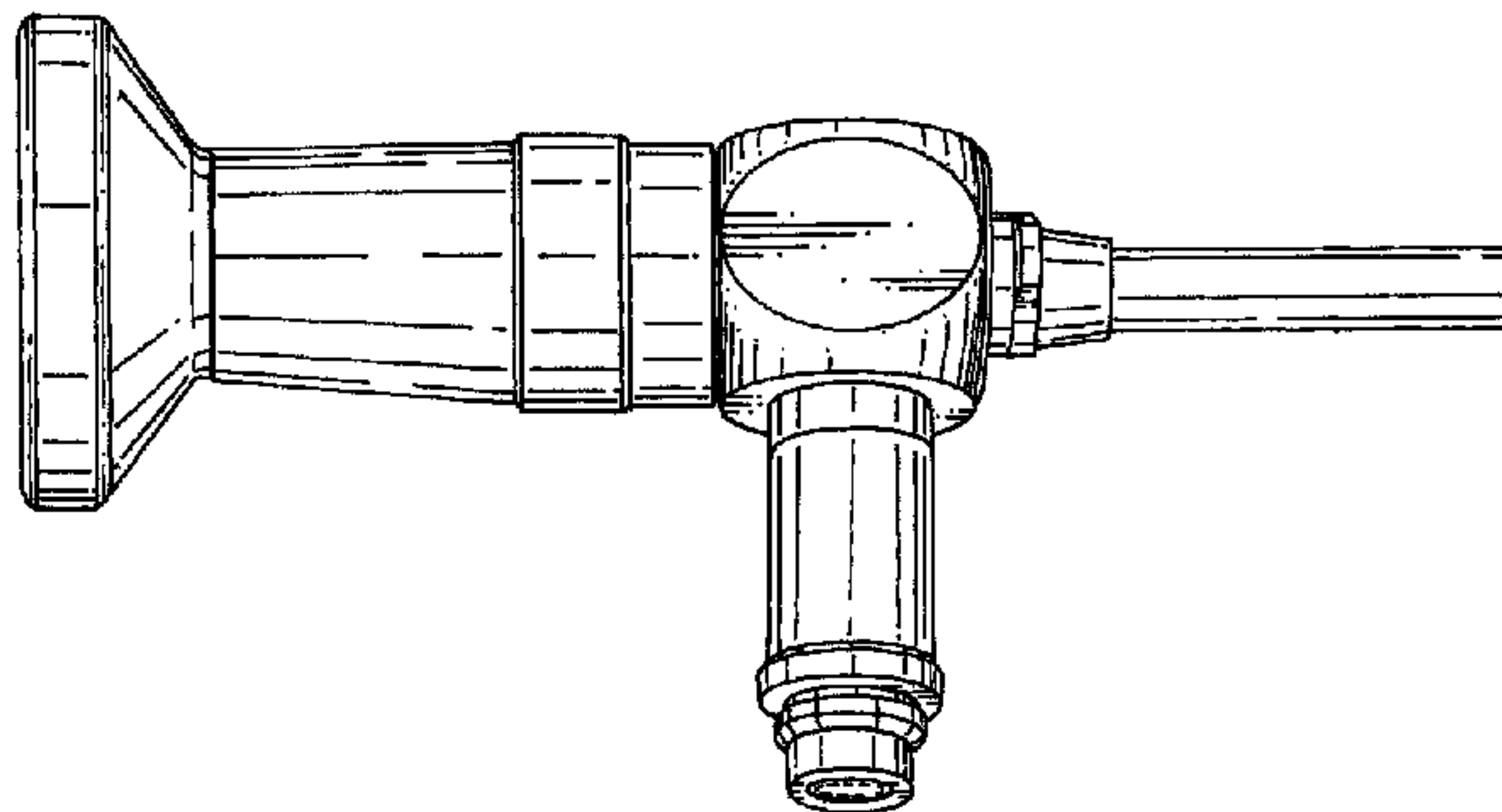
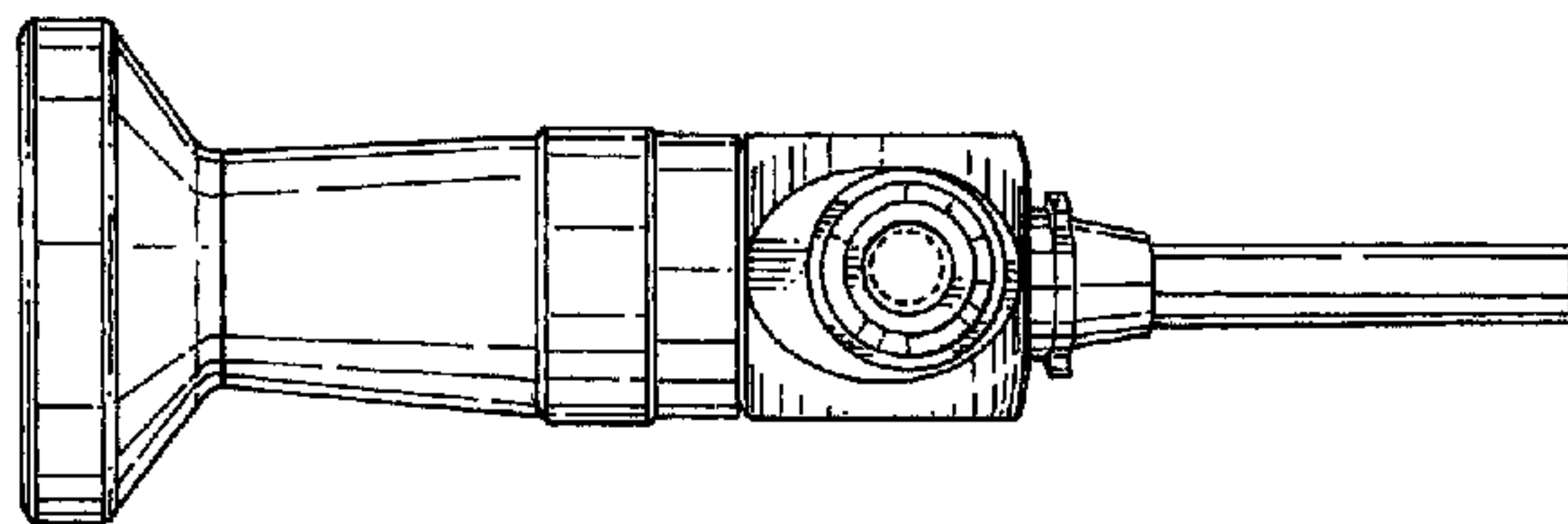
The ornamental design for an optical block for an endoscope, as shown and described.

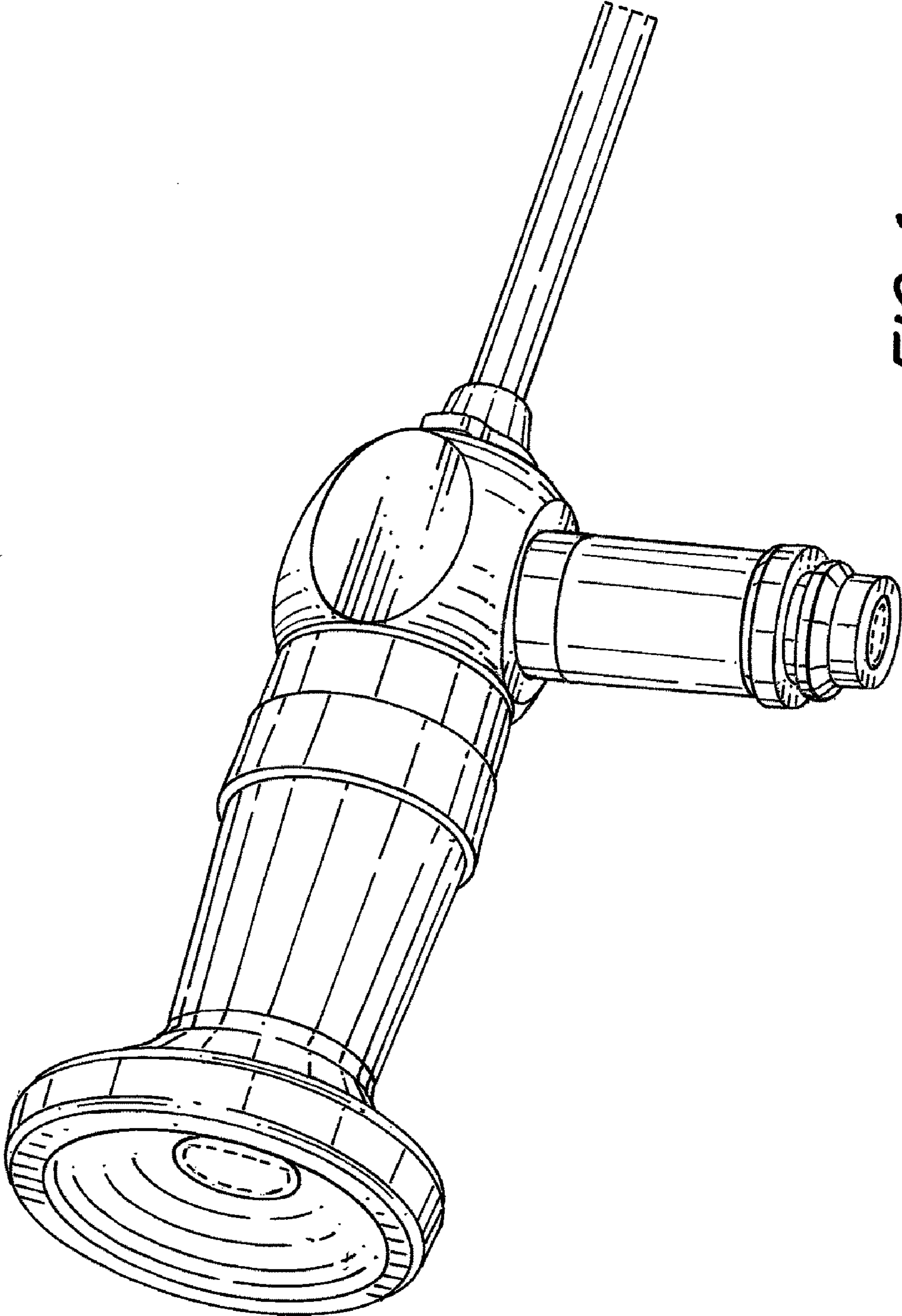
**DESCRIPTION**

FIG. 1 is a left side perspective view of an optical block for an endoscope in accordance with the new design; FIG. 2 is a bottom isometric view thereof; FIG. 3 is a left side isometric view thereof; FIG. 4 is a right side isometric view thereof; FIG. 5 is a front isometric view thereof; and, FIG. 6 is a rear isometric view thereof.

The broken lines immediately adjacent the shaded areas in FIGS. 1-6 represent the bounds of the claimed design; the broken lines form no part of the claimed design.

**1 Claim, 6 Drawing Sheets**





*FIG. 1*

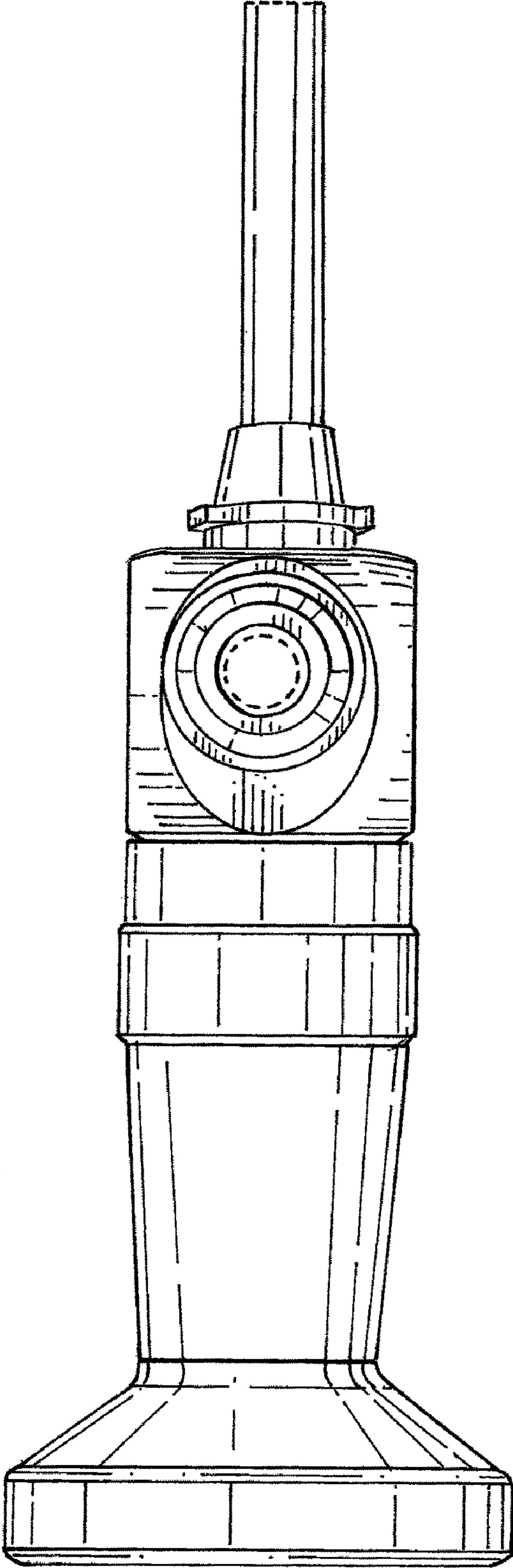


FIG. 2

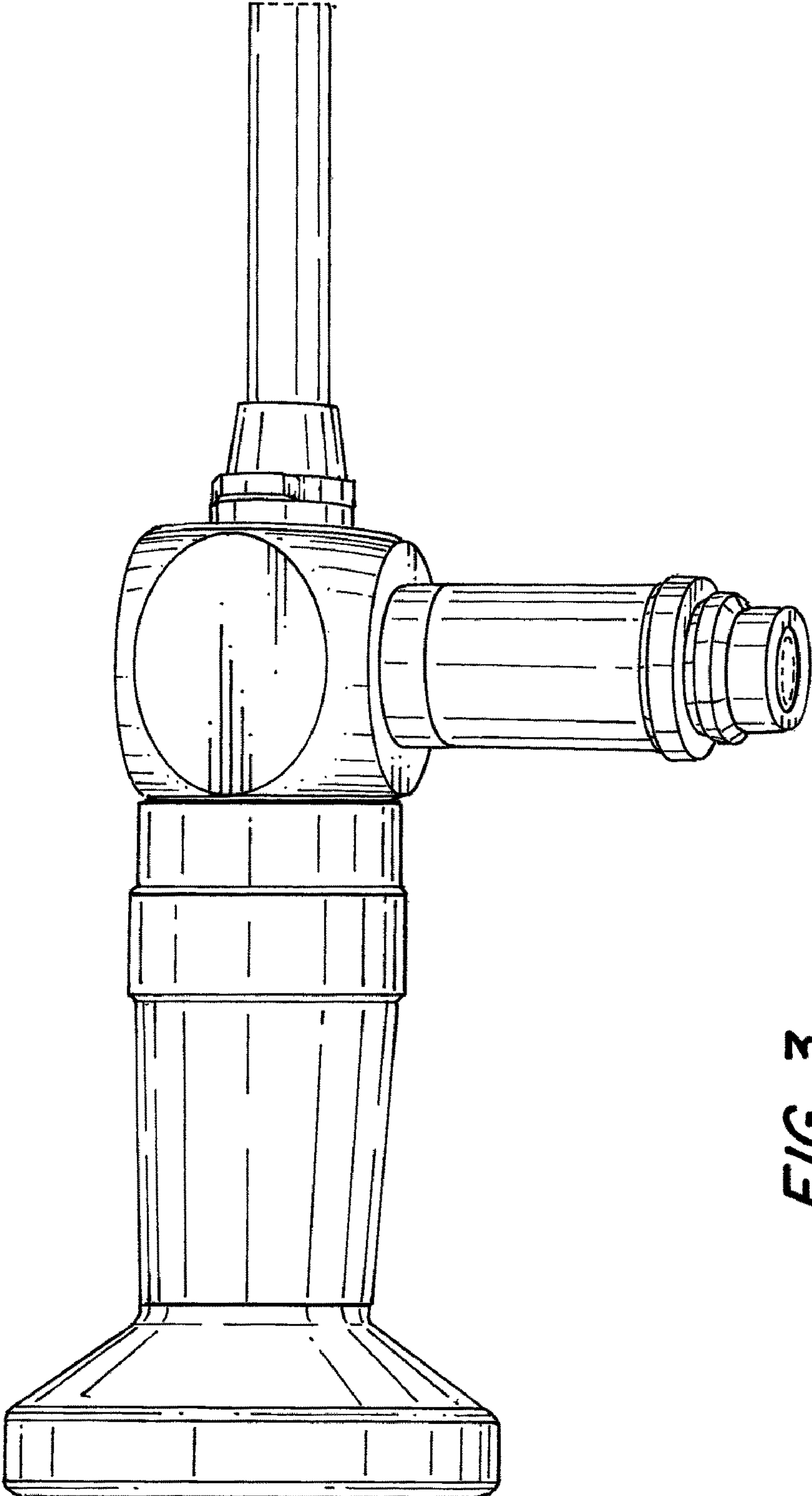
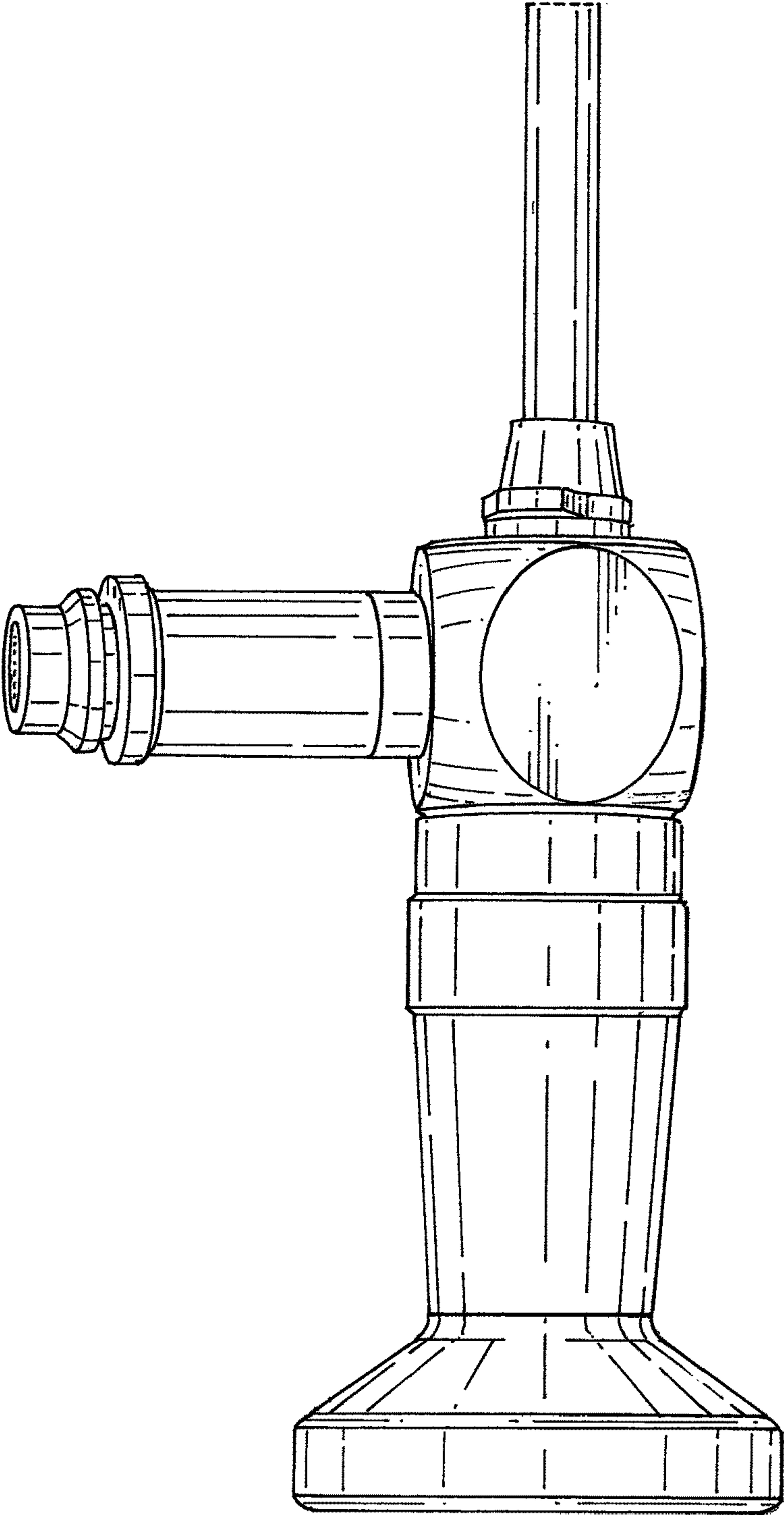
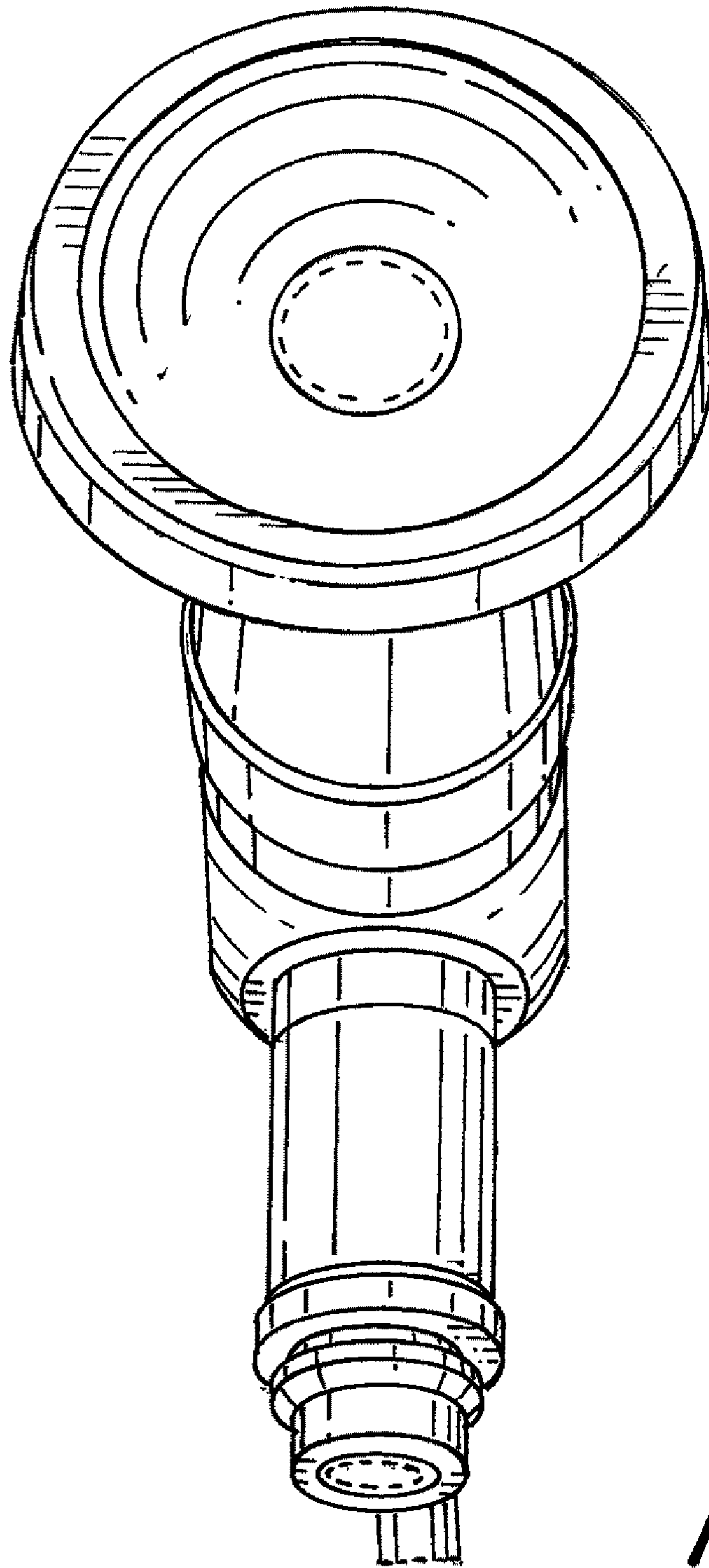


FIG. 3

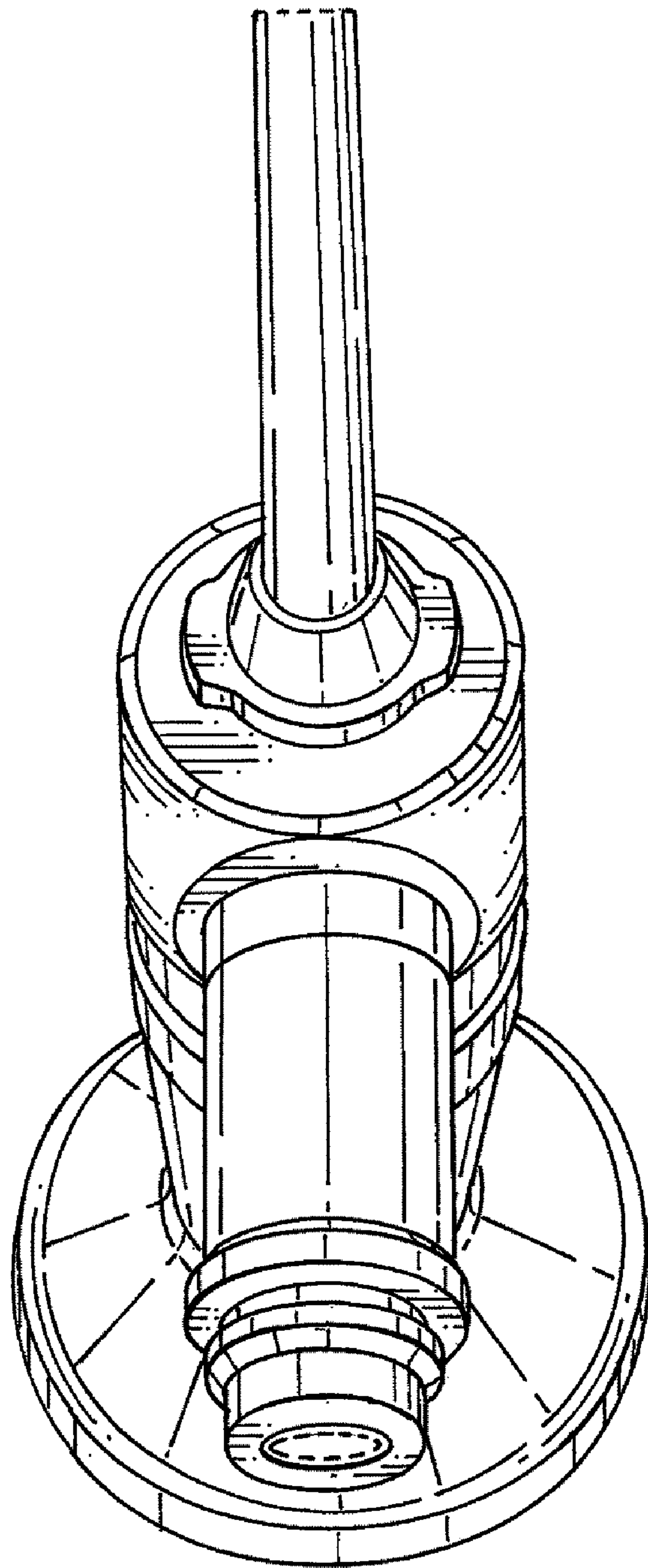


*FIG. 4*





*FIG. 5*



**FIG. 6**