



US00D648020S

(12) **United States Design Patent**
Morgan et al.

(10) **Patent No.:** **US D648,020 S**
(45) **Date of Patent:** **** Nov. 1, 2011**

(54) **BUBBLE DIVERTER**

(75) Inventors: **William Morgan**, Santa Maria, CA (US); **Connie Morgan**, Santa Maria, CA (US); **Trent Schultz**, Santa Barbara, CA (US); **Pete Ryan**, Santa Maria, CA (US)

(73) Assignee: **Kirby Morgan Dive Systems, Inc.**, Santa Barbara, CA (US)

(**) Term: **14 Years**

(21) Appl. No.: **29/314,183**

(22) Filed: **Mar. 11, 2009**

(51) **LOC (9) Cl.** **29-02**

(52) **U.S. Cl.** **D24/110.3; D24/110.4**

(58) **Field of Classification Search** D24/110.1, D24/110.2, 110.3, 110.4; D29/102, 107; 128/201.12, 201.19, 201.22, 201.24, 201.27, 128/201.29, 205.25, 205.29, 204.17, 206.23, 128/207.11, 207.18, 200.29

See application file for complete search history.

(56) **References Cited**

U.S. PATENT DOCUMENTS

D242,881	S *	1/1977	Jones	D24/110.3
4,595,003	A *	6/1986	Shoemaker et al.	128/201.19
5,040,528	A *	8/1991	O'Neill	128/201.27
6,644,307	B2 *	11/2003	Morgan et al.	128/200.29
6,938,619	B1 *	9/2005	Hickle	128/207.18
D518,066	S *	3/2006	Morgan et al.	D15/4

7,278,421	B2 *	10/2007	Hannah et al.	128/201.29
7,455,061	B2 *	11/2008	Morgan et al.	128/200.29
7,578,294	B2 *	8/2009	Pierro et al.	128/207.13
7,798,142	B2 *	9/2010	Morgan et al.	128/201.27
2002/0129818	A1 *	9/2002	Morgan et al.	128/206.26

* cited by examiner

Primary Examiner — Ian Simmons

Assistant Examiner — Christopher Lee

(74) *Attorney, Agent, or Firm* — Cislo & Thomas, LLP

(57) **CLAIM**

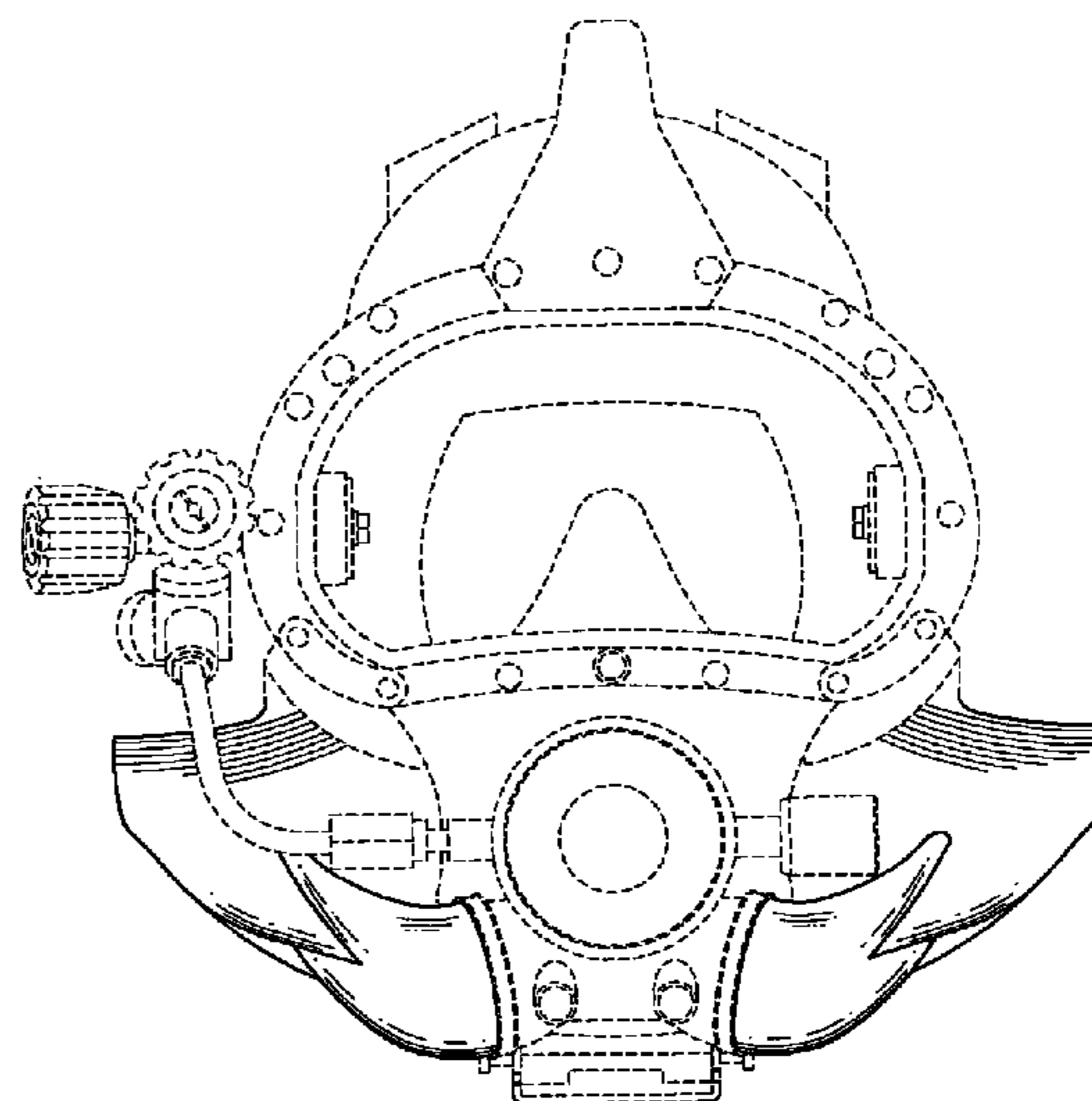
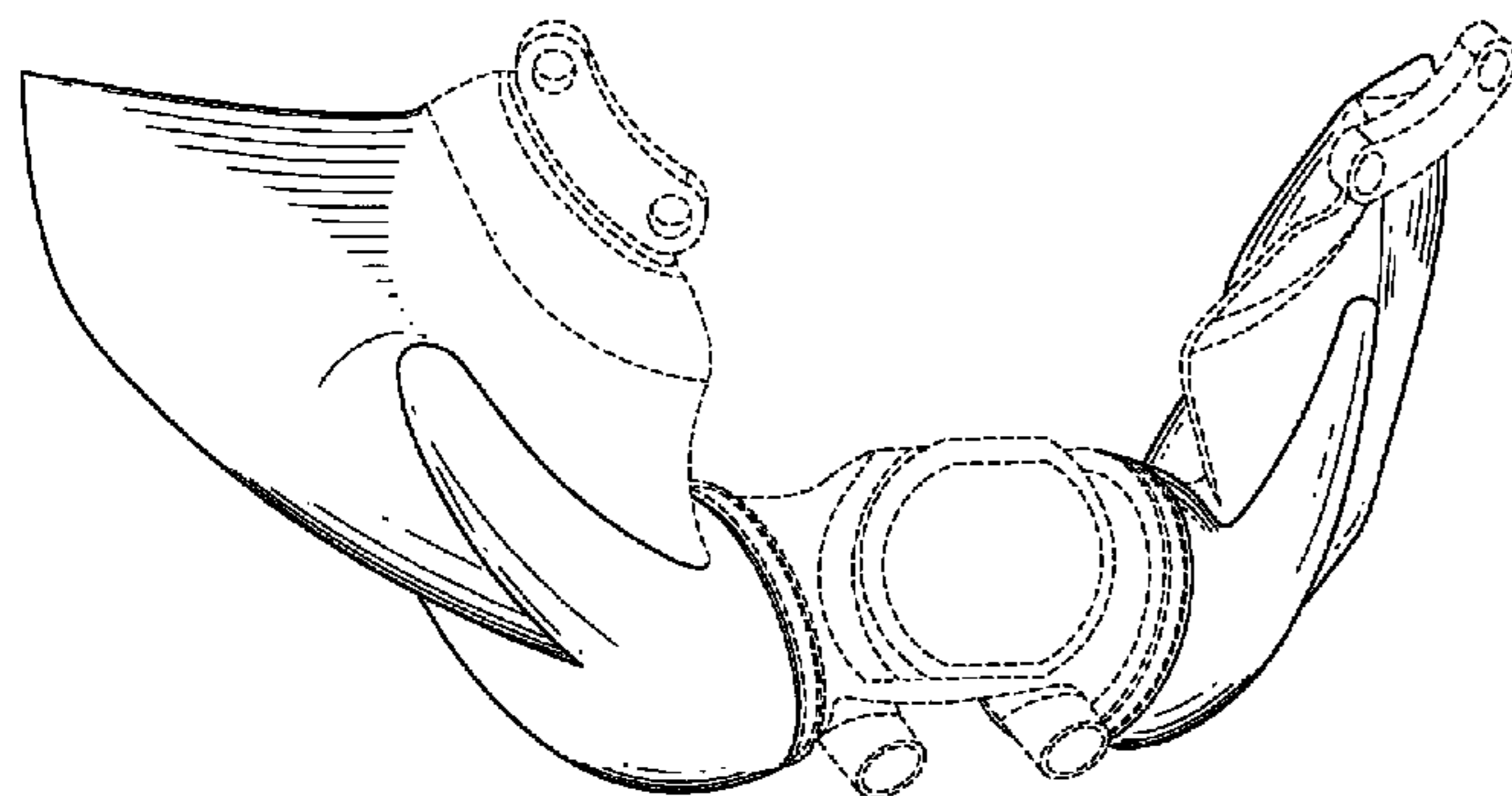
The ornamental design for a bubble diverter, as shown and described.

DESCRIPTION

FIG. 1 is a perspective view of our bubble diverter; FIG. 2 is a front view thereof; FIG. 3 is a left side view thereof; FIG. 4 is a right side view thereof; FIG. 5 is a rear view thereof; FIG. 6 is a top view thereof; FIG. 7 is a bottom view thereof; FIG. 8 is another front view of our bubble diverter showing additional environmental features; and, FIG. 9 is a perspective view thereof.

The broken line portions of the disclosure are included for the purpose of illustrating environment and form no part of the claimed design.

1 Claim, 8 Drawing Sheets



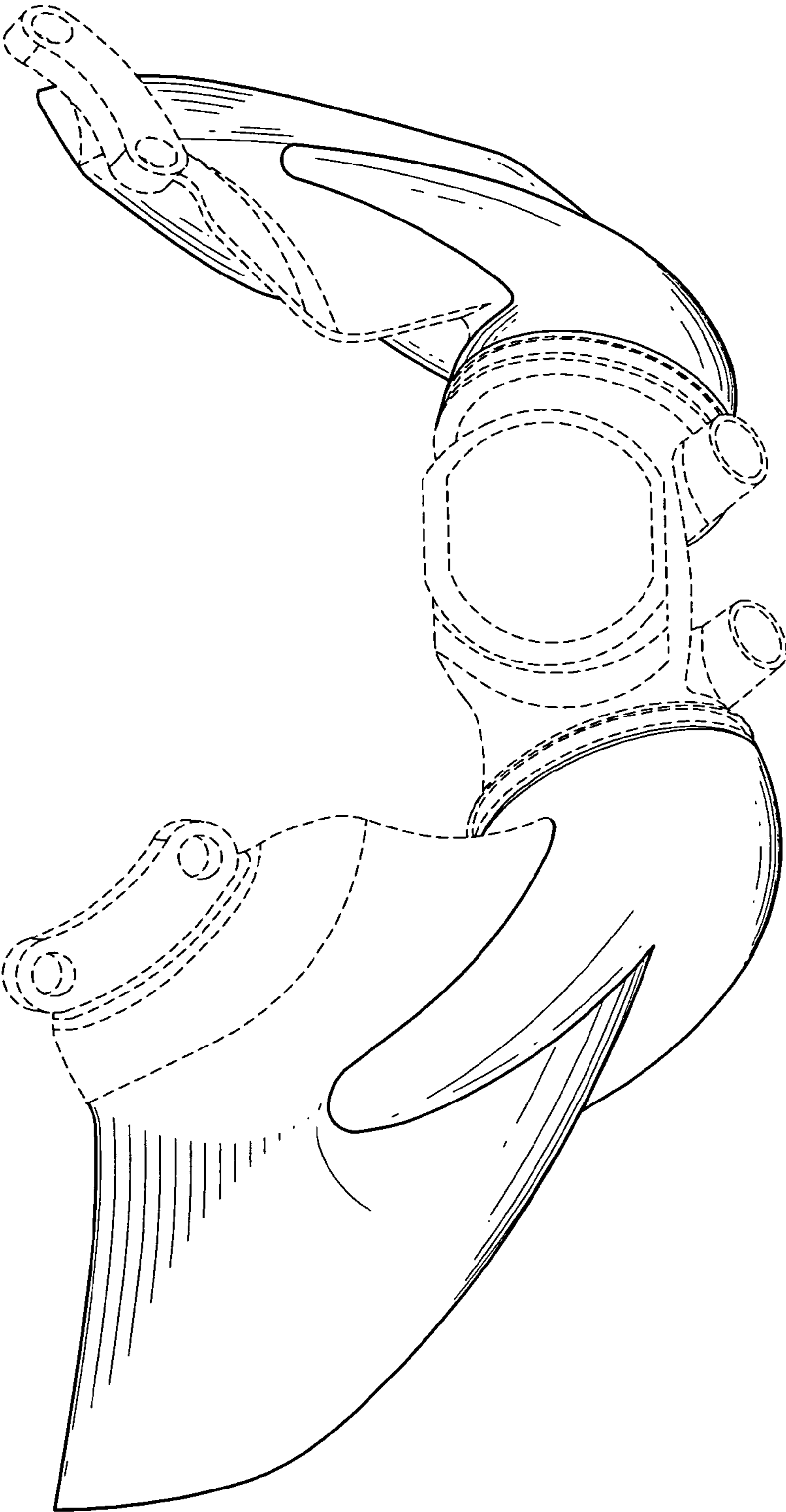


FIG. 1

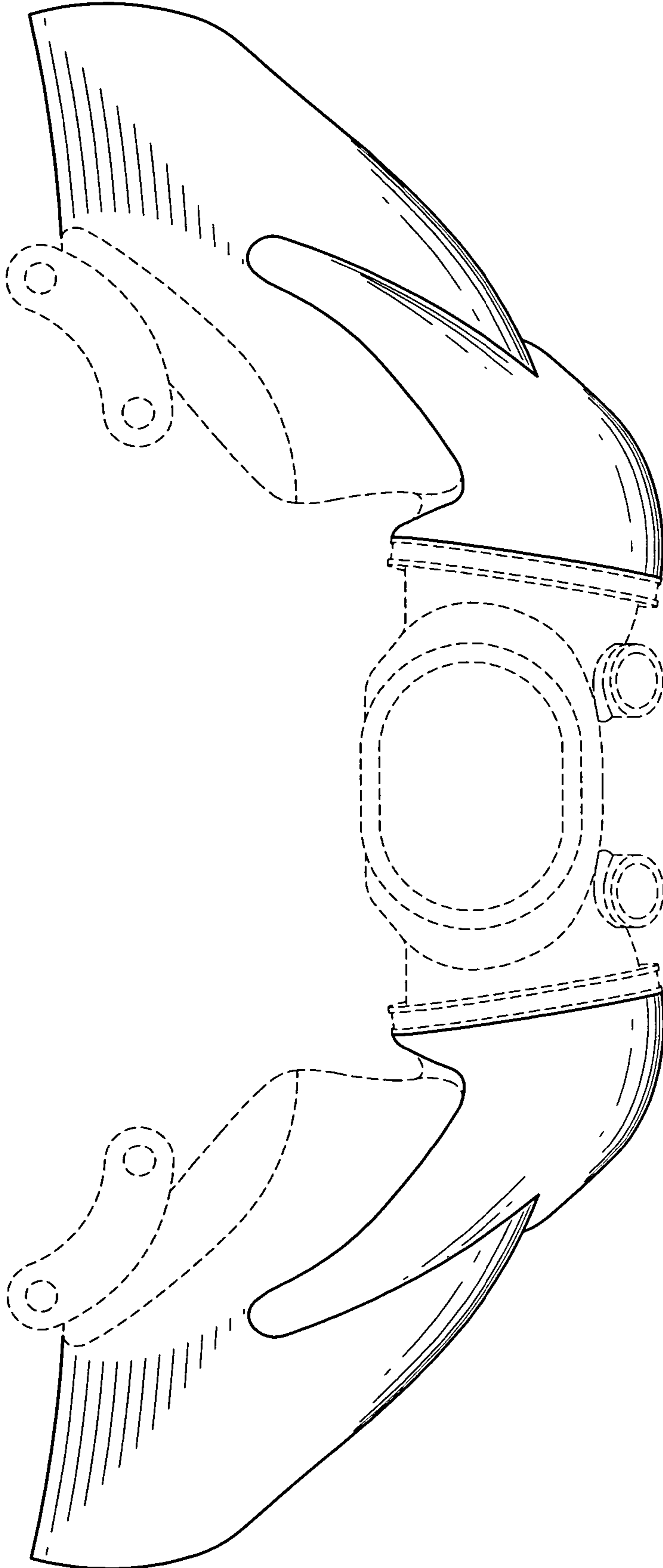


FIG. 2

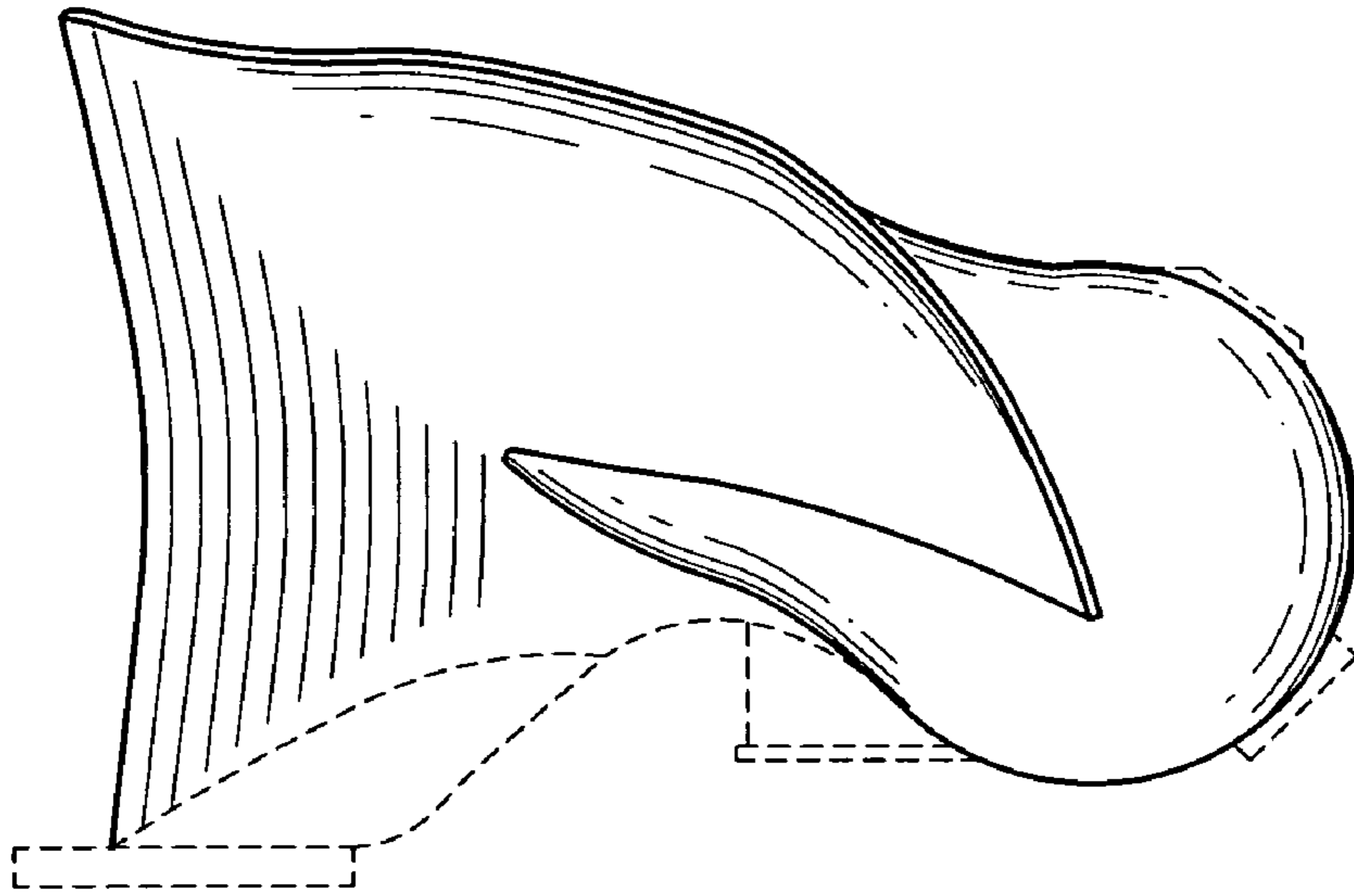


FIG. 4

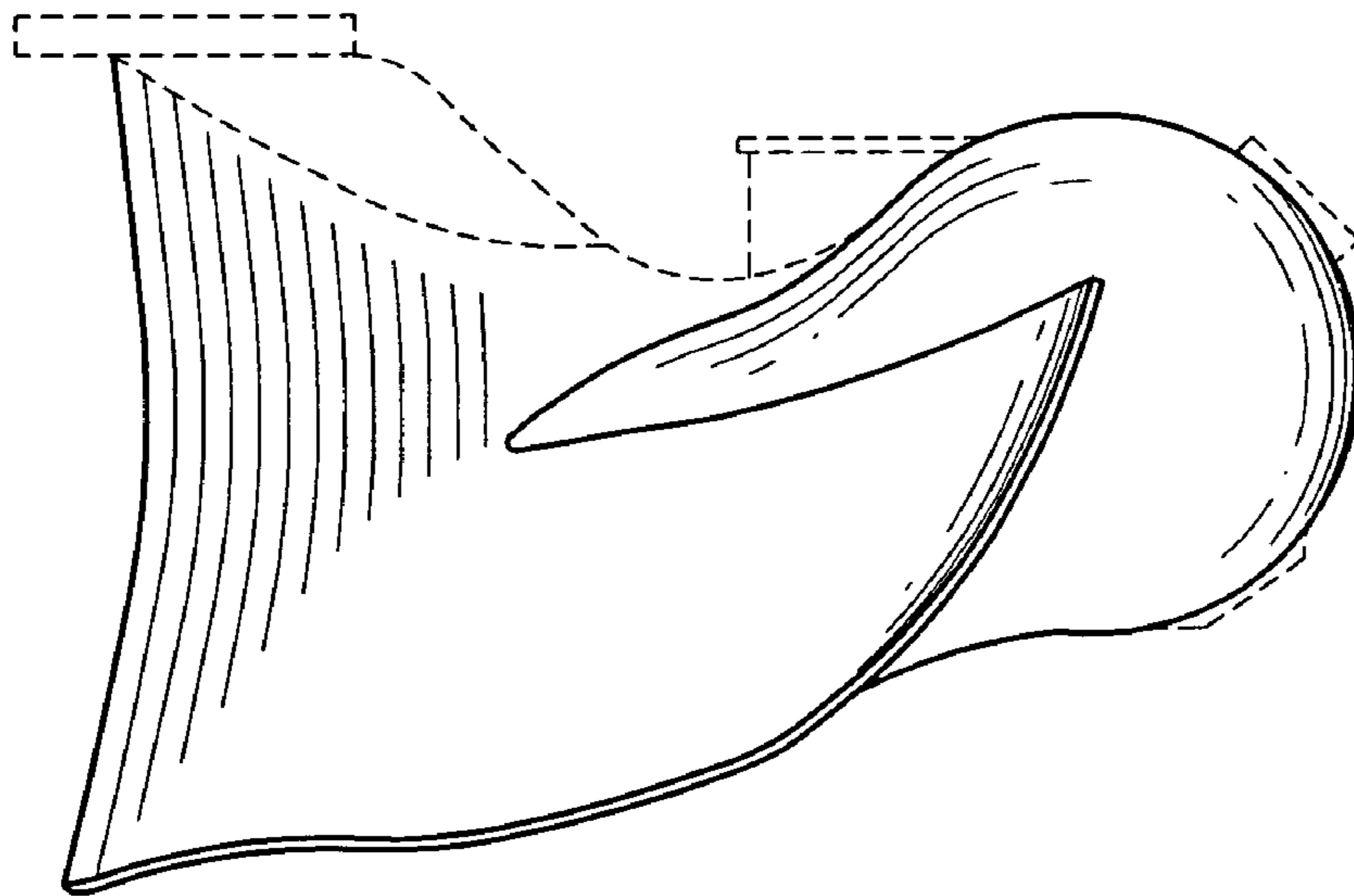


FIG. 3

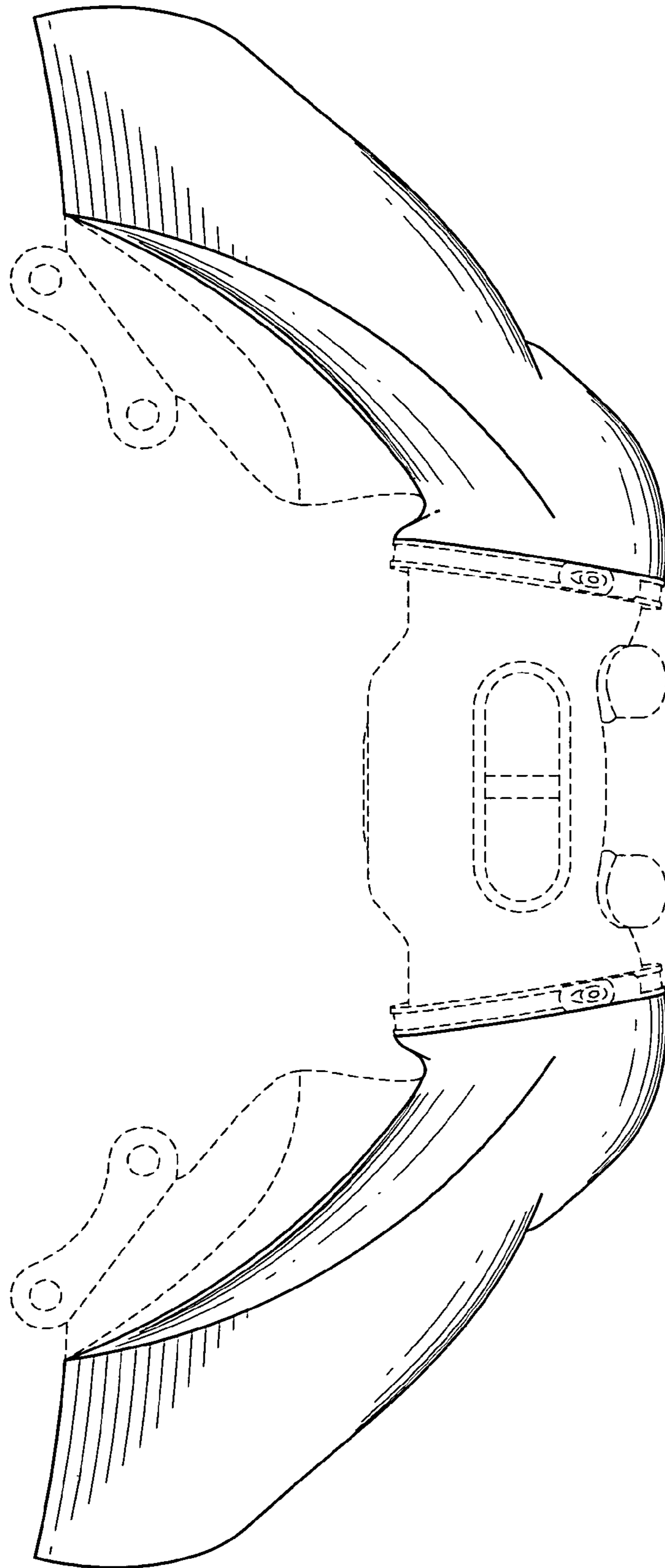


FIG. 5

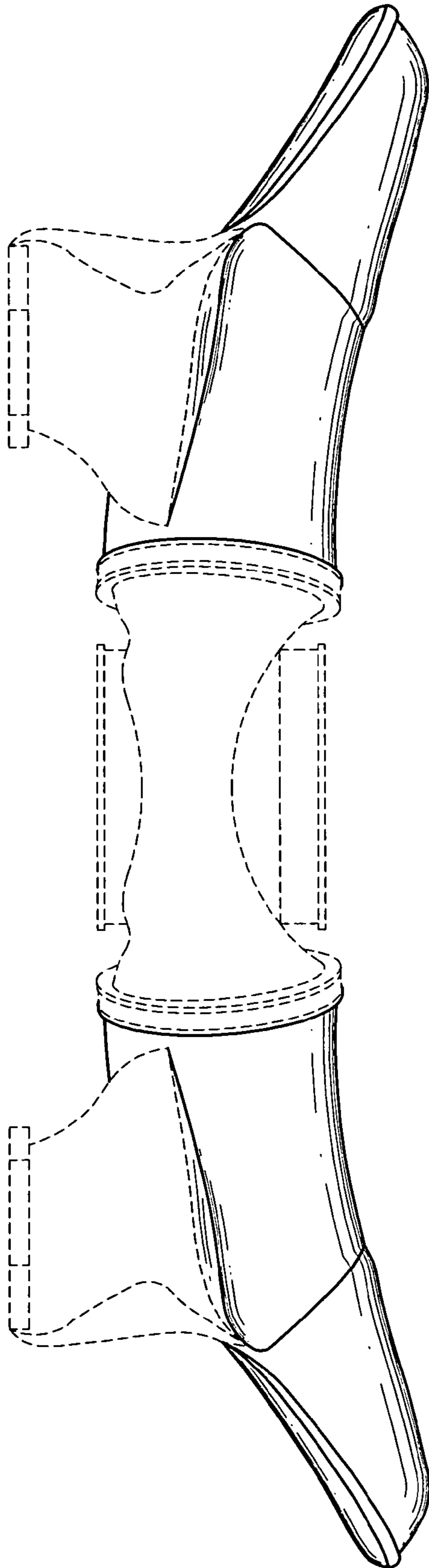


FIG. 6

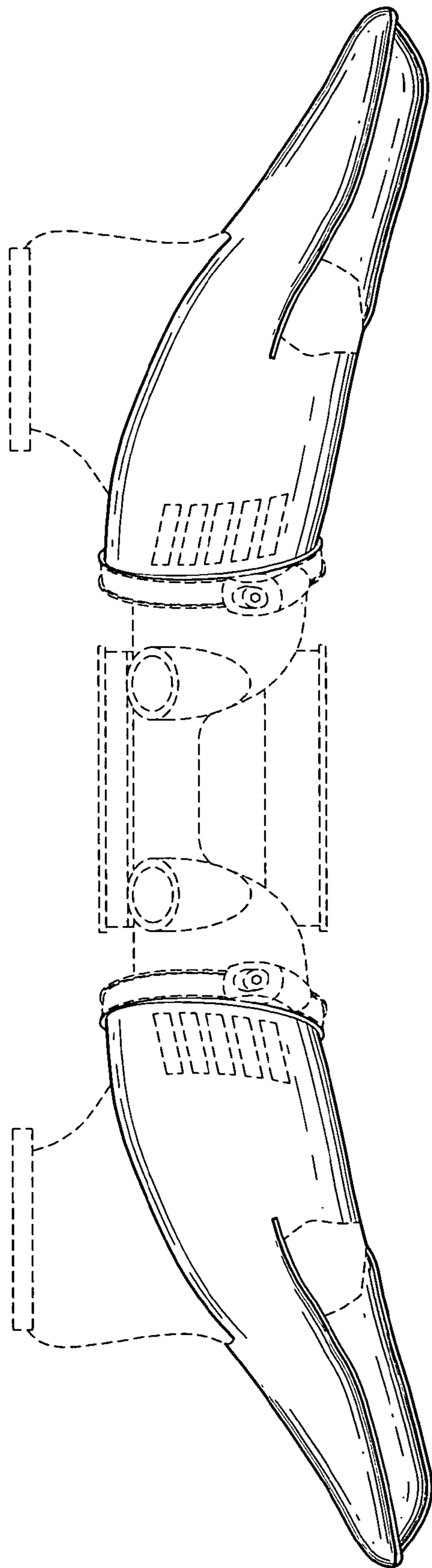


FIG. 7

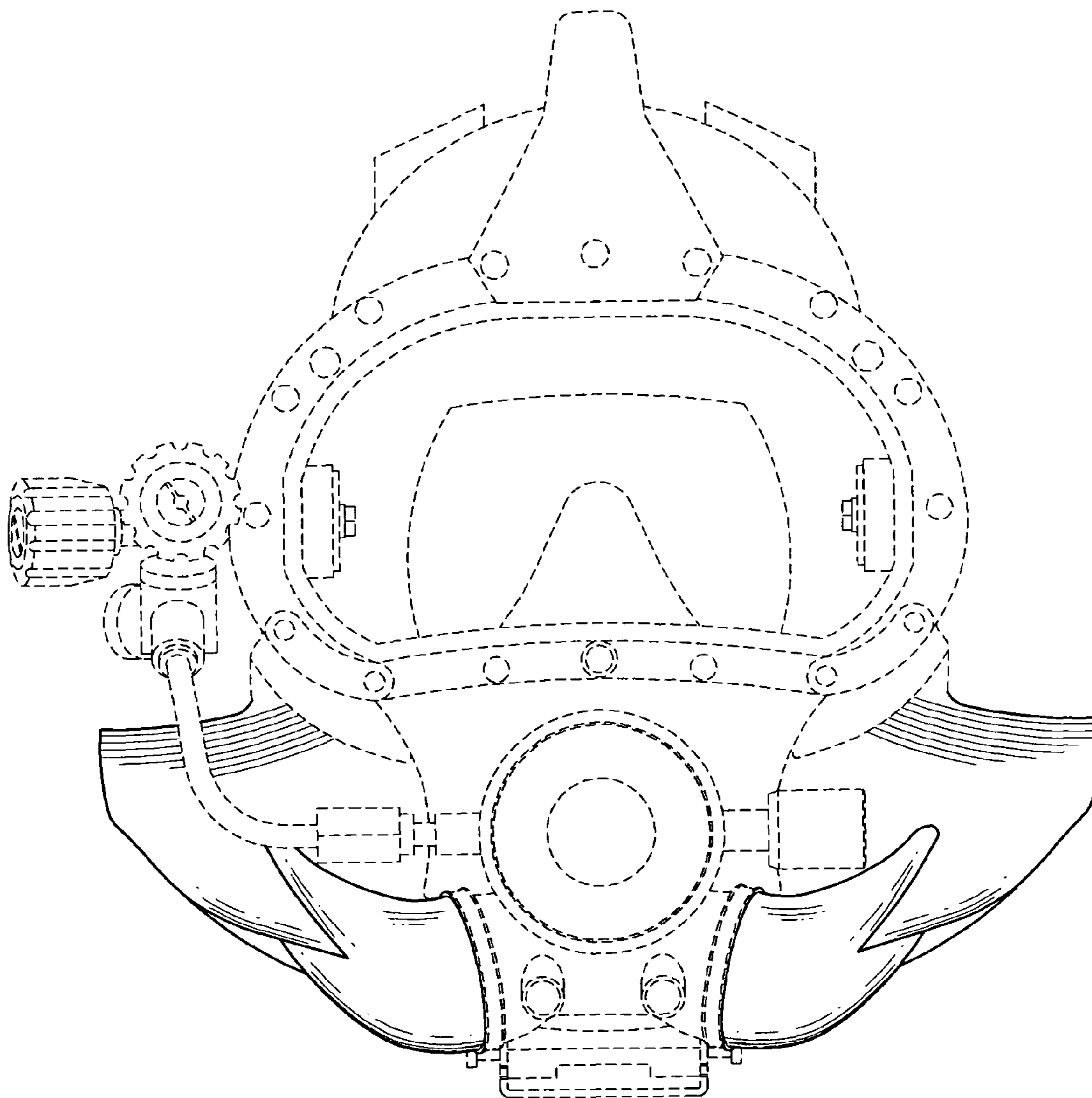


FIG. 8

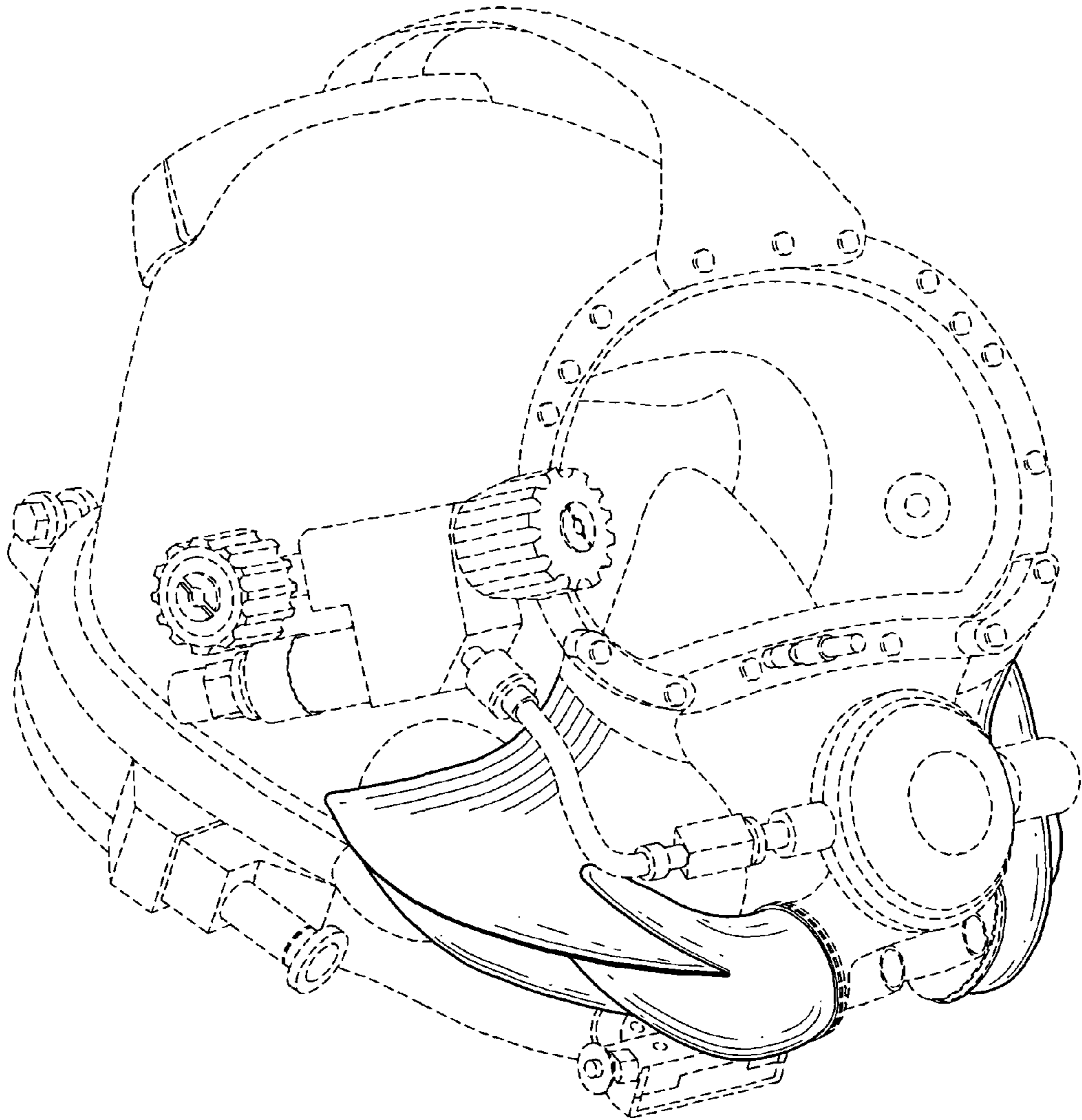


FIG. 9