



US00D648019S

(12) **United States Design Patent**  
**Morneault et al.**

(10) **Patent No.:** **US D648,019 S**

(45) **Date of Patent:** **\*\* Nov. 1, 2011**

(54) **DEODORIZER CONTAINER**

(75) Inventors: **Michael D. Morneault**, Gibsonia, PA  
(US); **Robert Snyder**, Glenshaw, PA  
(US)

(73) Assignee: **Odor Gladiator Inc.**, Gibsonia, PA (US)

(\*\*) Term: **14 Years**

(21) Appl. No.: **29/388,439**

(22) Filed: **Mar. 29, 2011**

(51) **LOC (9) Cl.** ..... **28-99**

(52) **U.S. Cl.** ..... **D23/366**

(58) **Field of Classification Search** ..... D23/355-369;  
D28/5, 6; 261/DIG. 17, DIG. 42, DIG. 65,  
261/DIG. 88, DIG. 89; 392/386, 390, 391,  
392/392, 393, 394, 395; 239/34, 35, 44-47,  
239/50, 53, 56, 60, 145, 326

See application file for complete search history.

(56) **References Cited**

U.S. PATENT DOCUMENTS

4,214,146	A *	7/1980	Schimanski	.....	392/390
D265,924	S *	8/1982	Gehlke	.....	D23/355
4,467,177	A *	8/1984	Zobebe	.....	392/392
D445,855	S *	7/2001	Kumazawa	.....	D21/684
D489,123	S *	4/2004	Basaganas Millan	.....	D23/366
D503,973	S *	4/2005	Millan	.....	D23/366
D515,188	S *	2/2006	Schalansky et al.	.....	D23/355
D522,118	S *	5/2006	Miro	.....	D23/366
D535,002	S *	1/2007	Caserta et al.	.....	D23/366
D536,081	S *	1/2007	Steinel	.....	D23/366
D539,407	S *	3/2007	Zobebe	.....	D23/366
D540,931	S *	4/2007	Luo	.....	D23/366
D543,431	S *	5/2007	Jimenez	.....	D8/96
D544,950	S *	6/2007	Zobebe	.....	D23/366
D547,430	S *	7/2007	Low	.....	D23/364
D553,231	S *	10/2007	Li	.....	D23/366
D579,163	S *	10/2008	Schablinger	.....	D32/29.1
D599,897	S *	9/2009	Low	.....	D23/364
D632,378	S *	2/2011	Deflorian et al.	.....	D23/366
2003/0080197	A1 *	5/2003	Tuomikoski et al.	.....	239/44

\* cited by examiner

*Primary Examiner* — Sandra Snapp

(74) *Attorney, Agent, or Firm* — Vedder Price P.C.

(57) **CLAIM**

The ornamental design for a deodorizer container, as shown and described.

**DESCRIPTION**

FIG. 1 is a front perspective view of a deodorizer container in accordance with the first embodiment of the ornamental design;

FIG. 2 is a front view of the deodorizer container in accordance with the first embodiment of the ornamental design;

FIG. 3 is a rear view of the deodorizer container in accordance with the first embodiment of the ornamental design;

FIG. 4 is a left side view of the deodorizer container in accordance with the first embodiment of the ornamental design;

FIG. 5 is a right side view of the deodorizer container in accordance with the first embodiment of the ornamental design;

FIG. 6 is a top view of the deodorizer container in accordance with the first embodiment of the ornamental design;

FIG. 7 is a bottom view of the deodorizer container in accordance with the first embodiment of the ornamental design;

FIG. 8 is a front perspective view of the deodorizer container in accordance with the second embodiment of the ornamental design;

FIG. 9 is a front view of the deodorizer container in accordance with the second embodiment of the ornamental design;

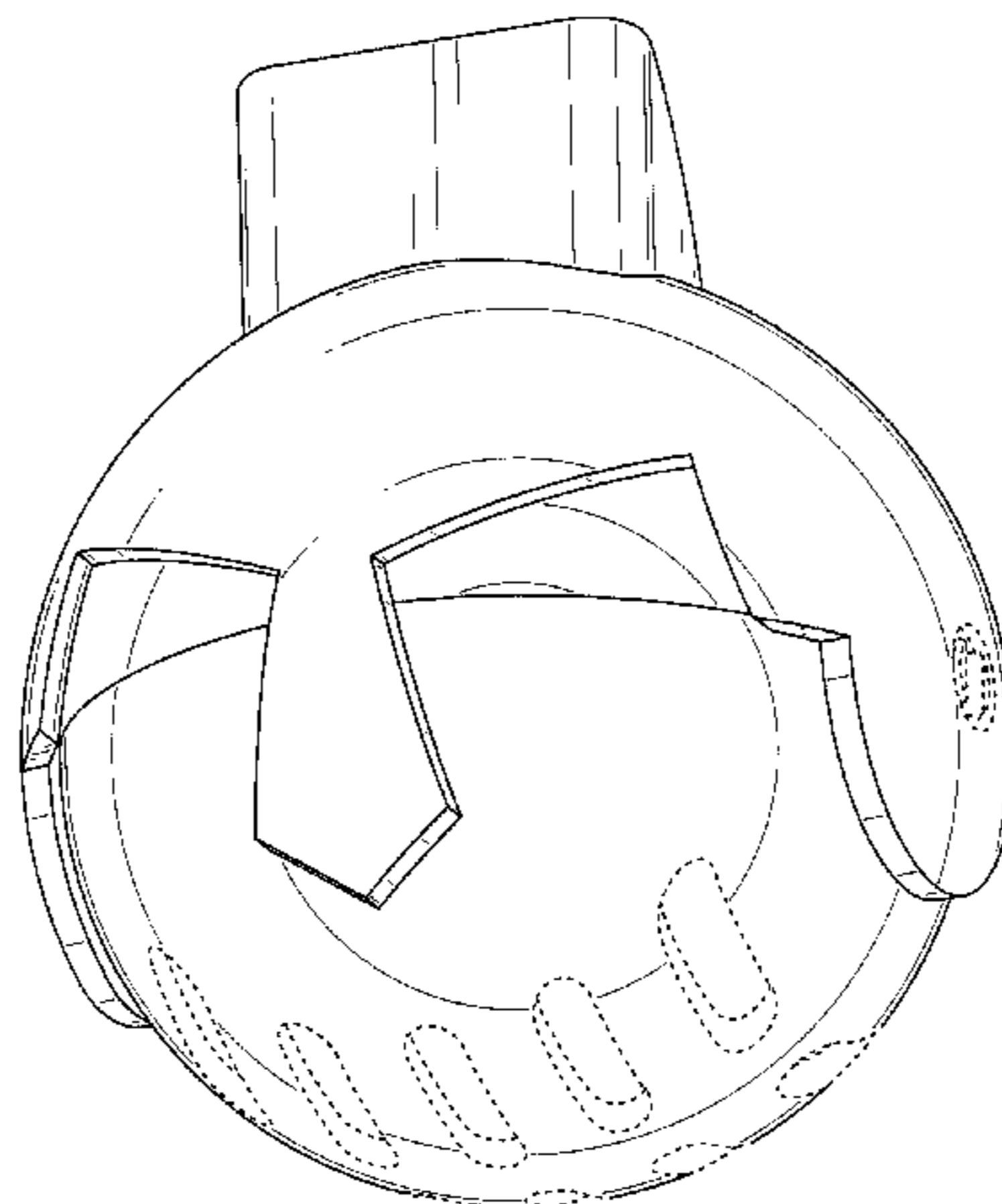
FIG. 10 is a rear view of the deodorizer container in accordance with the second embodiment of the ornamental design;

and,

FIG. 11 is a top view of the deodorizer container in accordance with the second embodiment of the ornamental design.

The broken lines shown in the drawings are for illustrative purposes only and form no part of the claimed design.

**1 Claim, 11 Drawing Sheets**



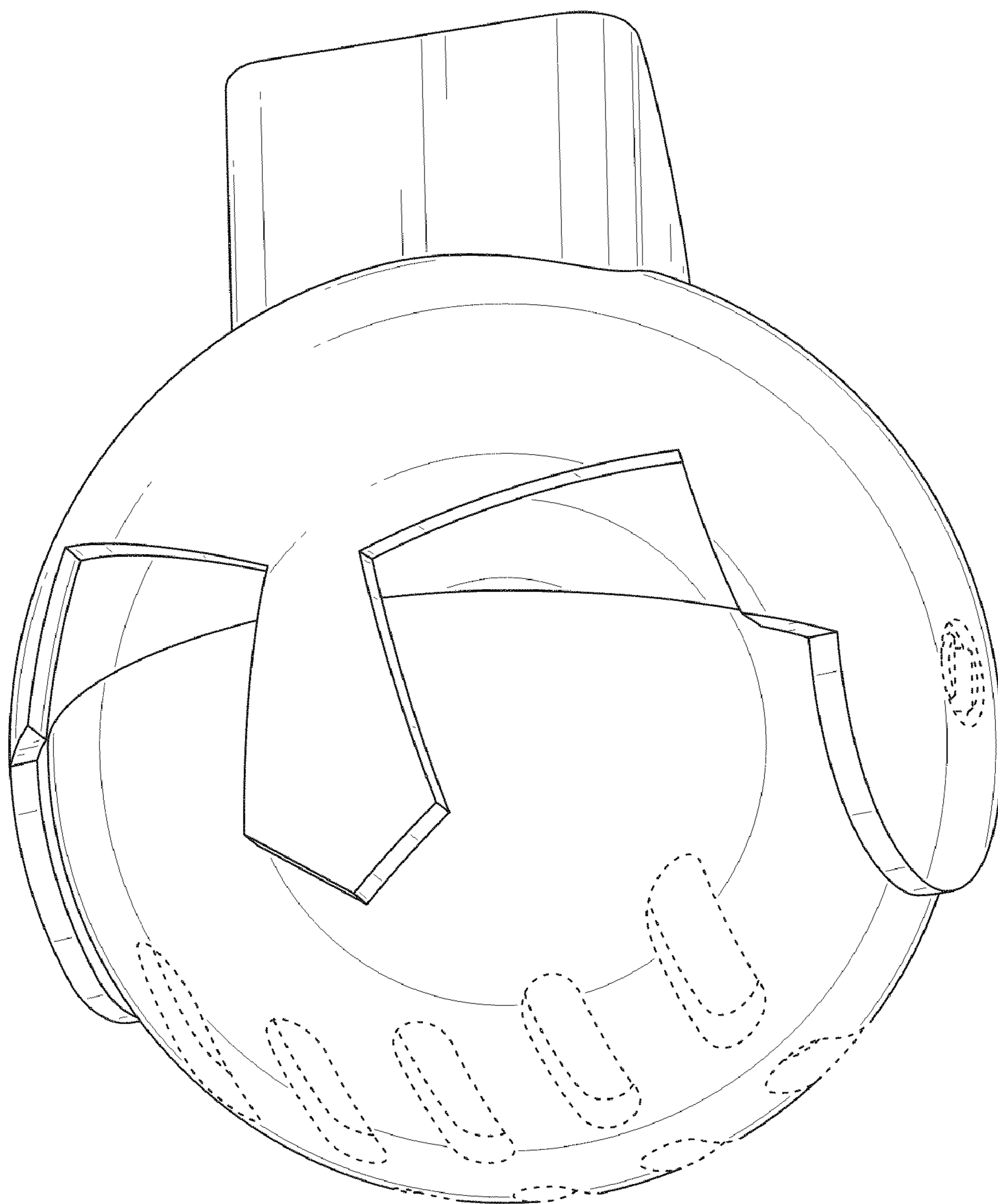


FIG. 1

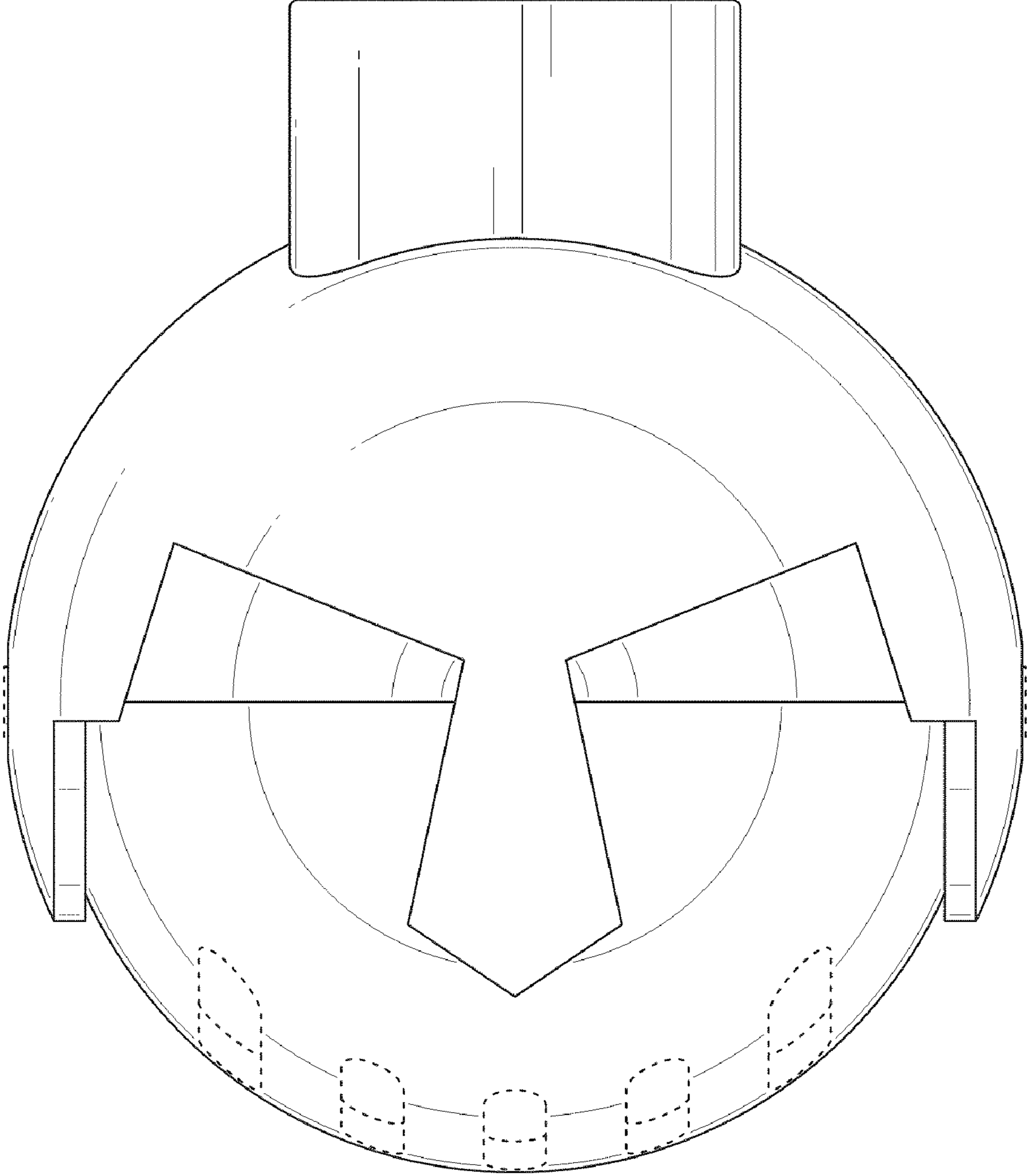


FIG. 2

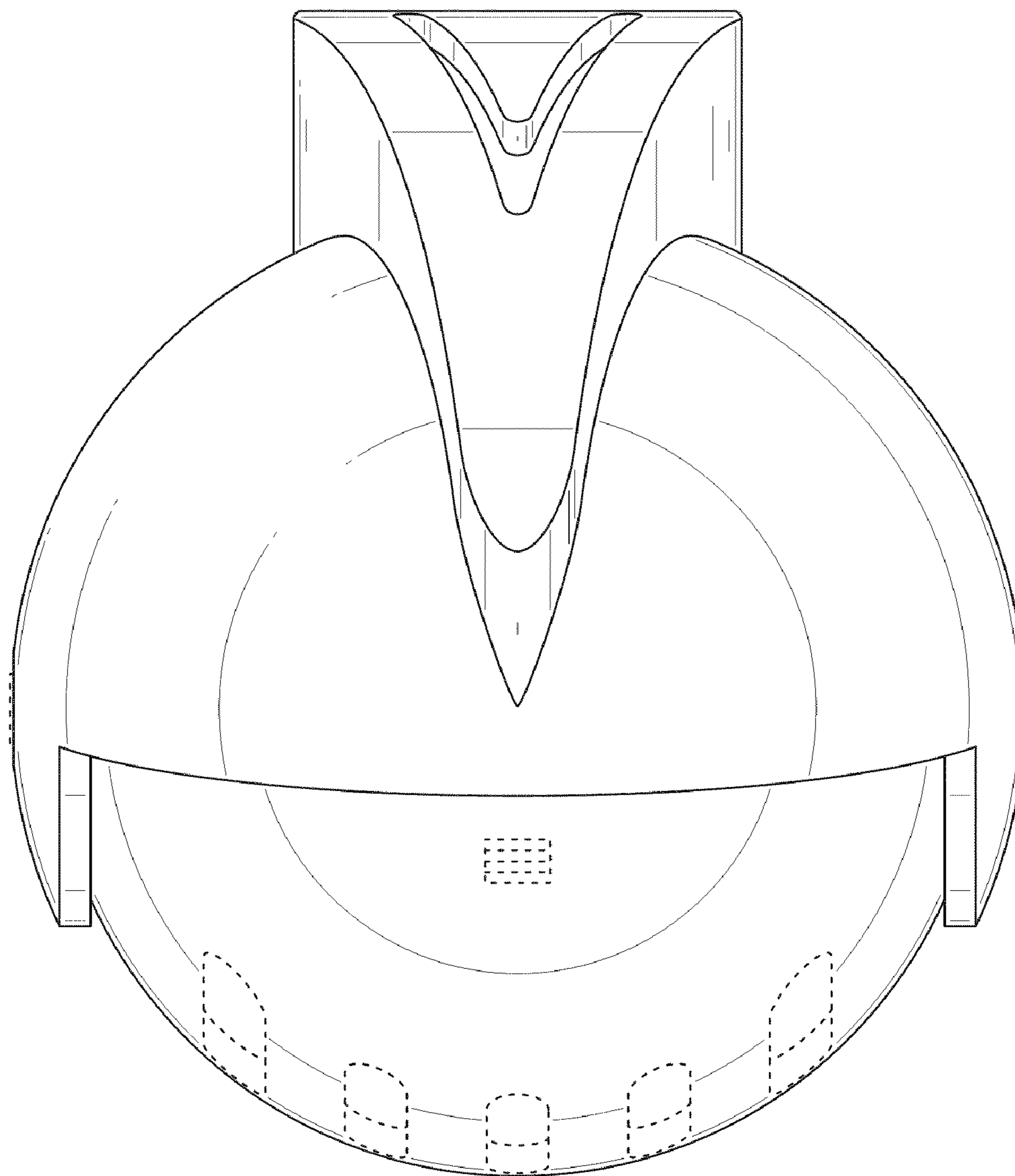


FIG. 3

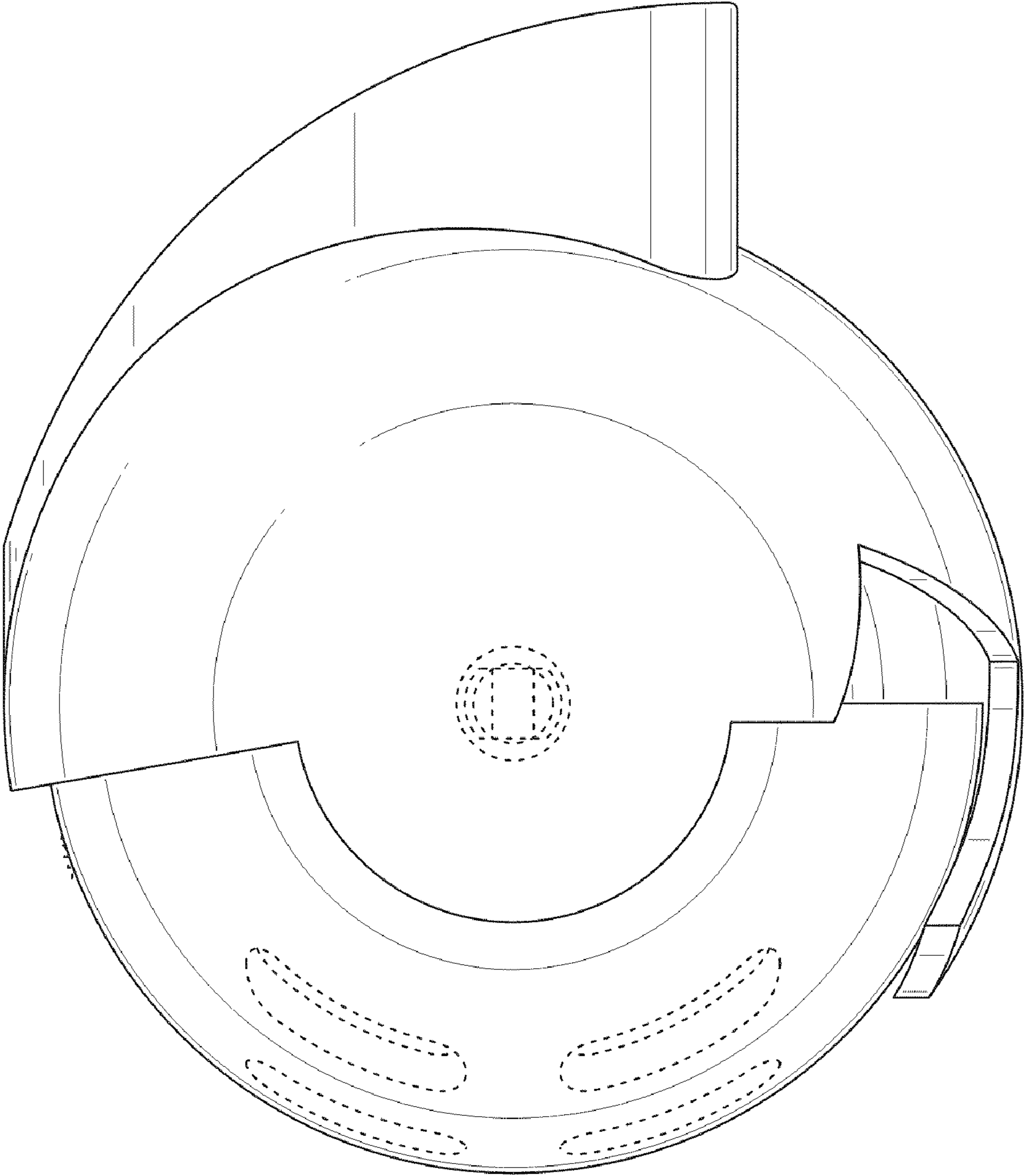


FIG. 4

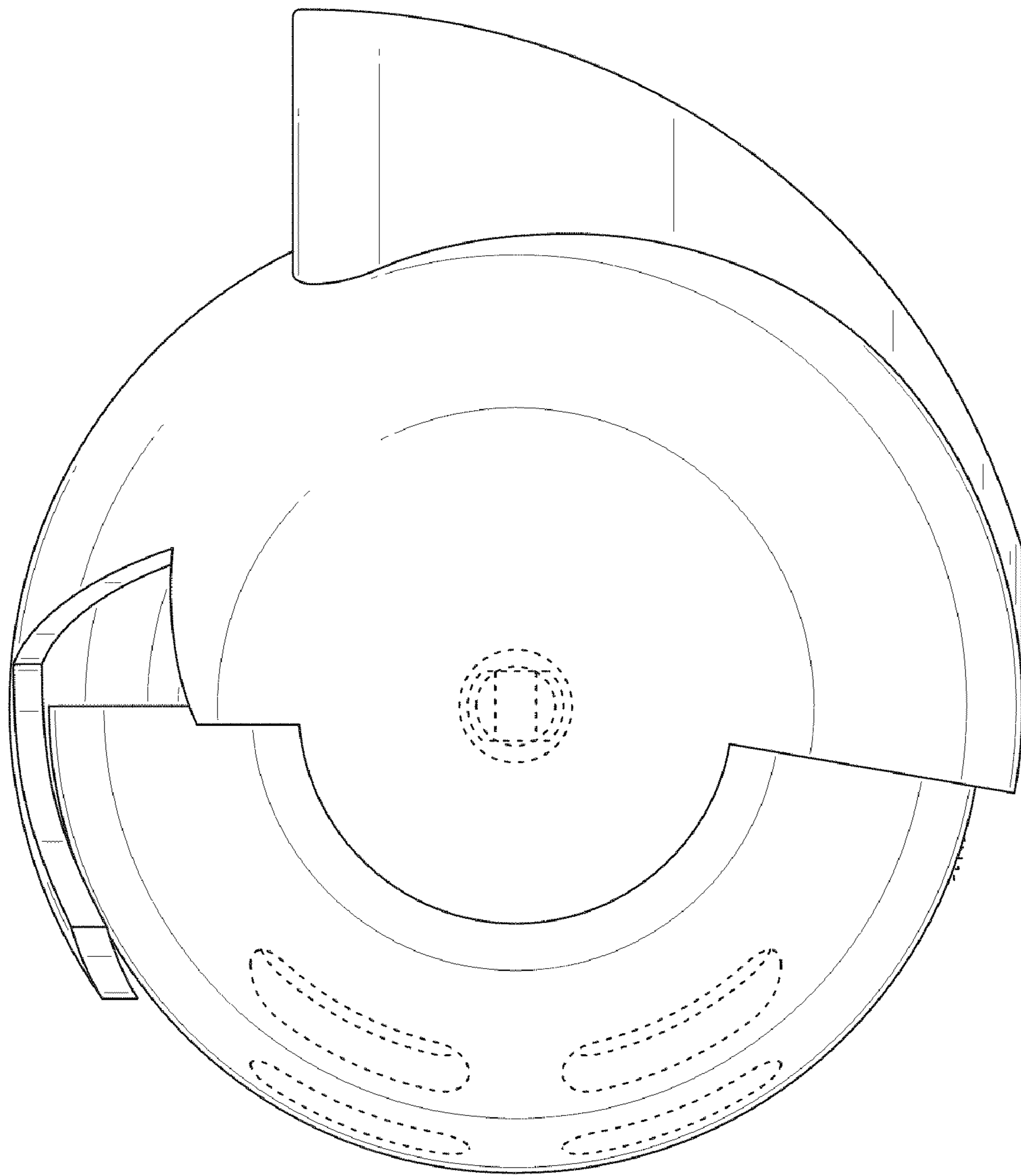


FIG. 5

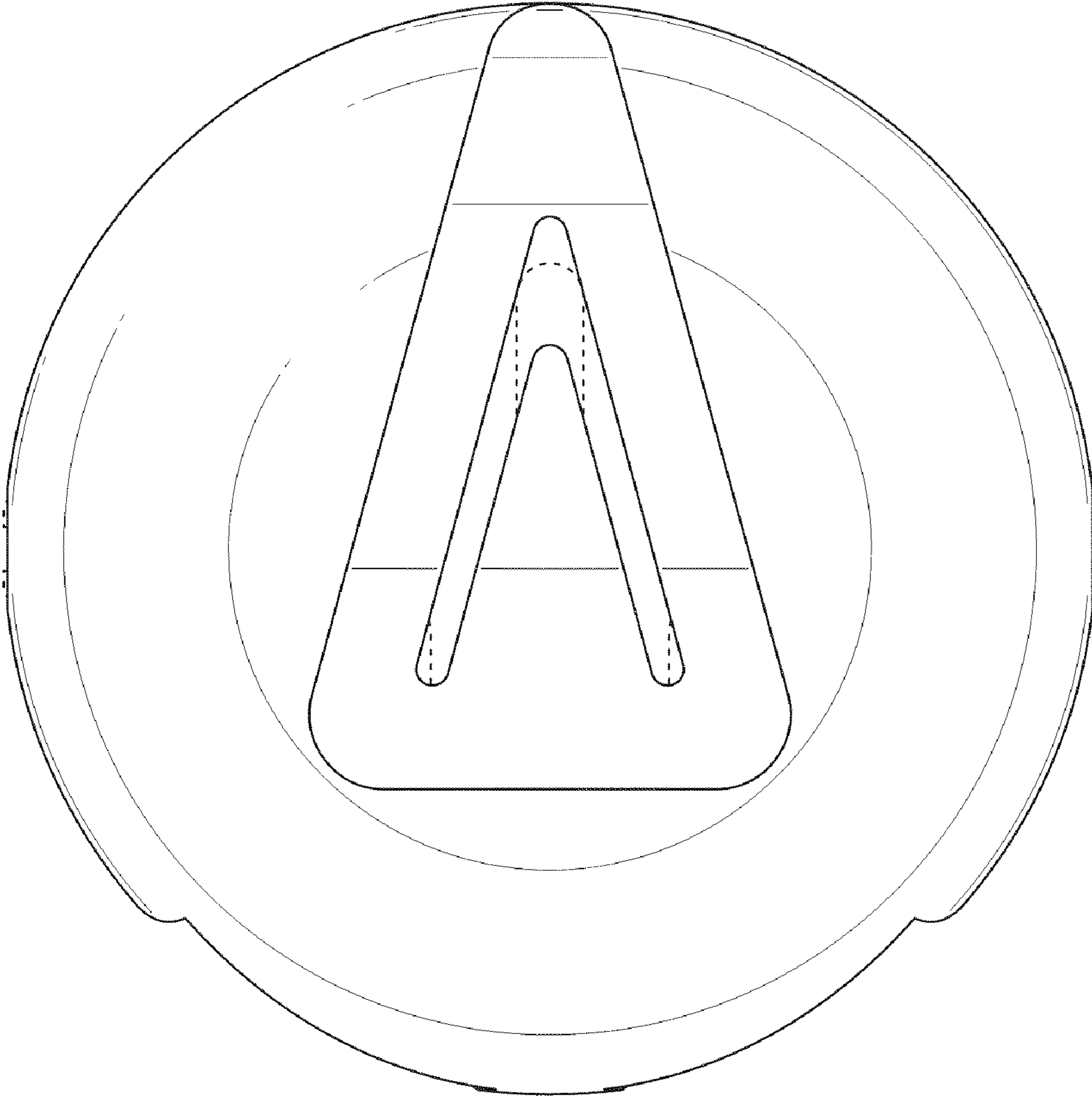


FIG. 6

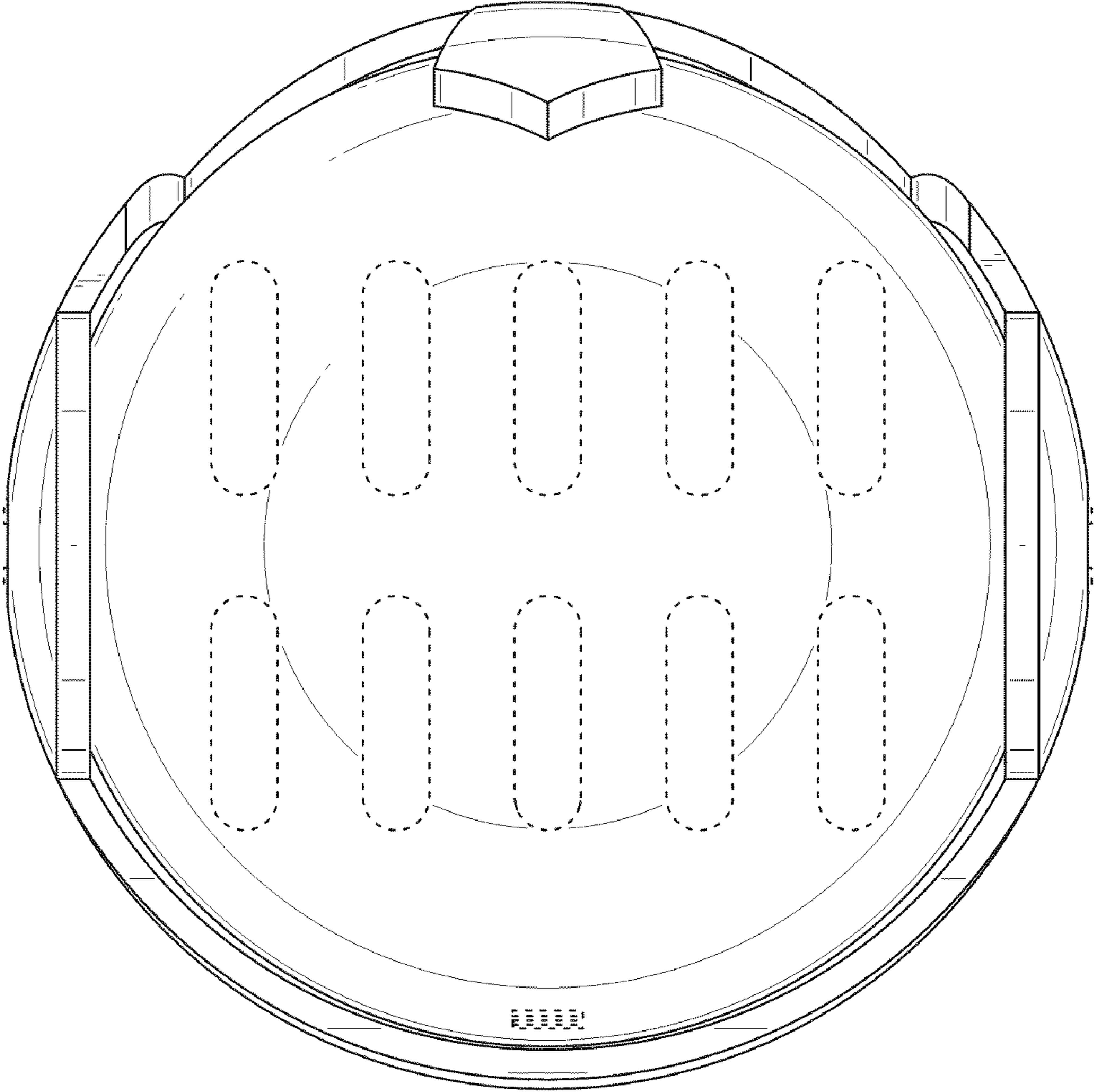


FIG. 7



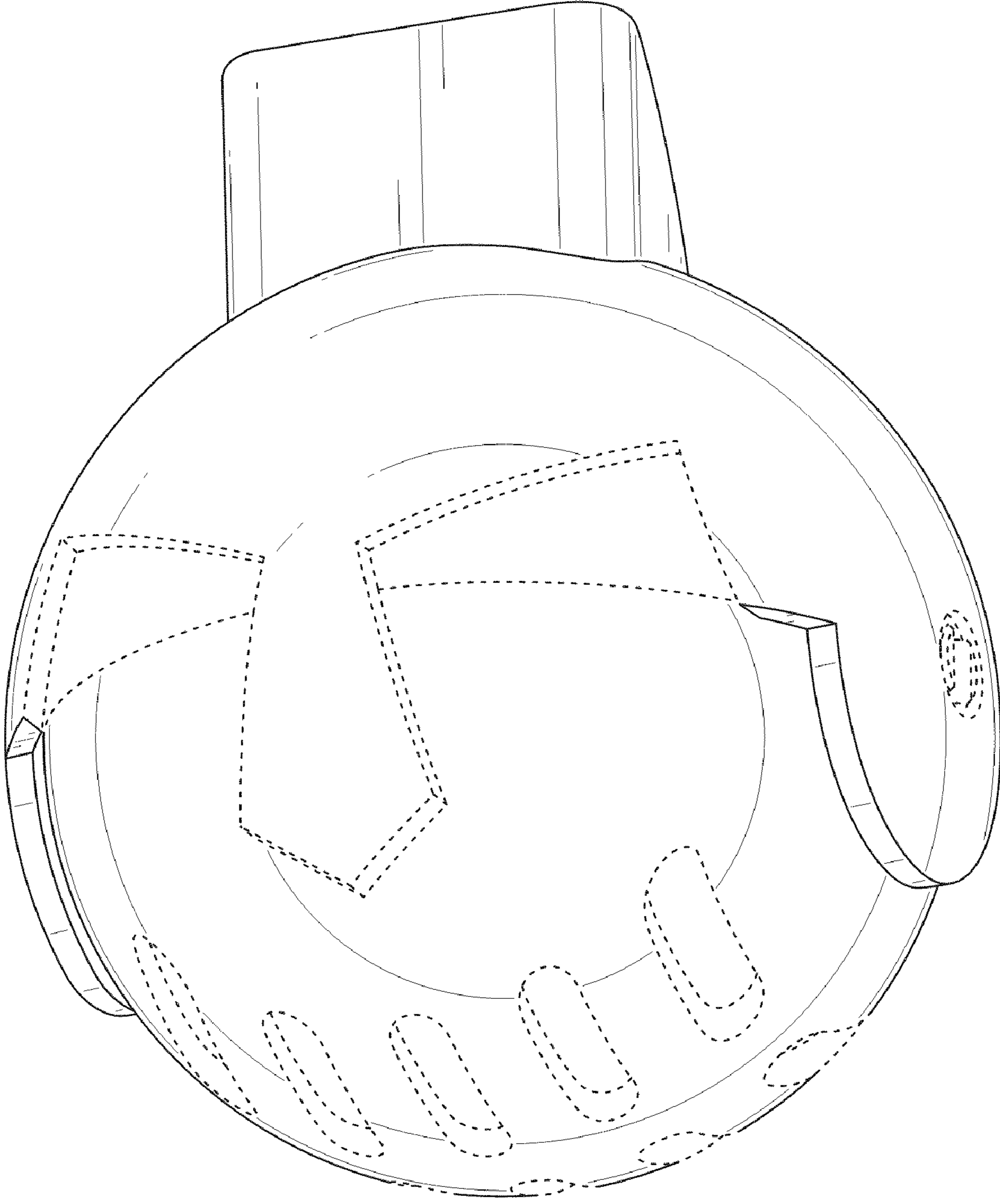


FIG. 8

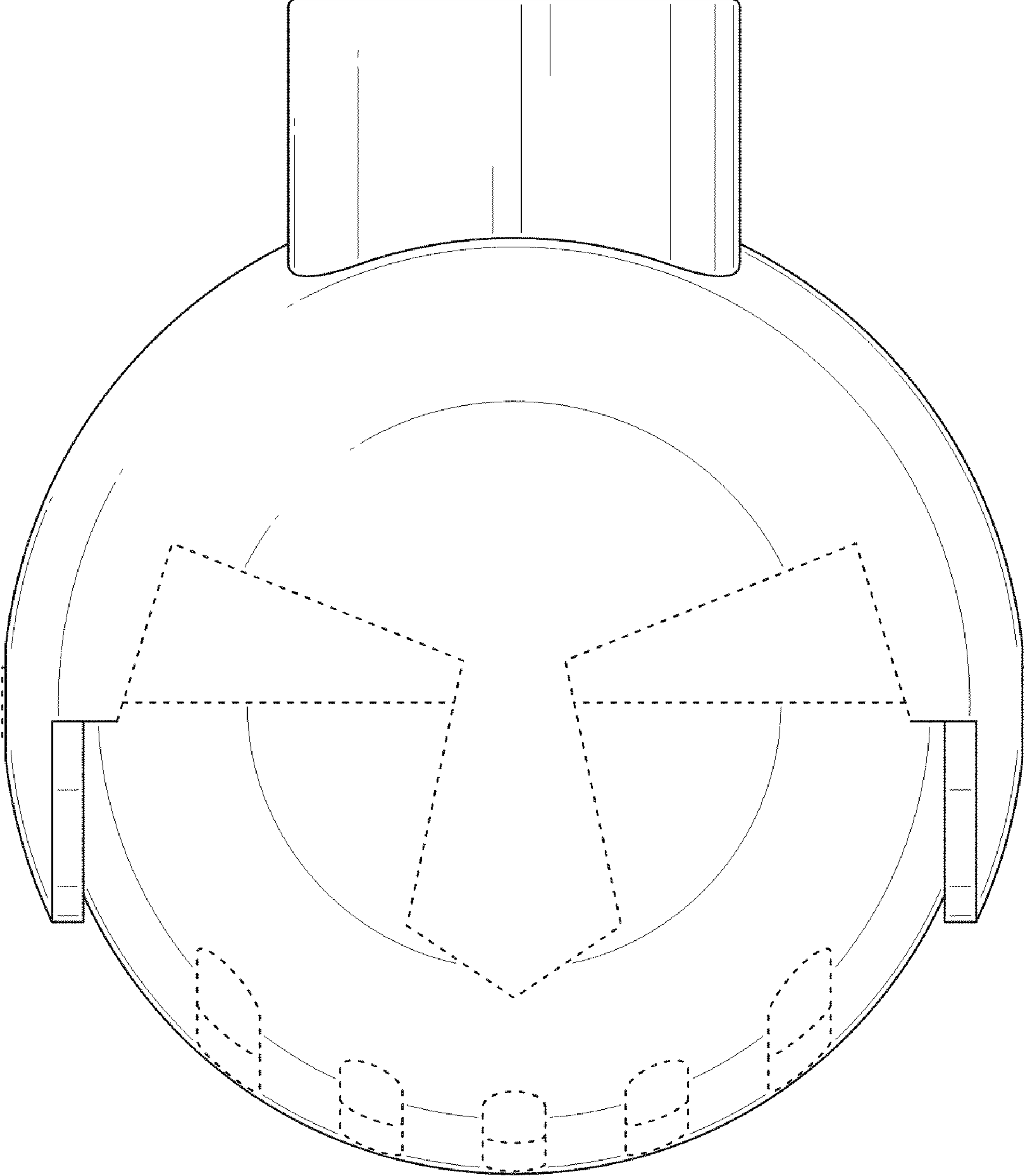


FIG. 9

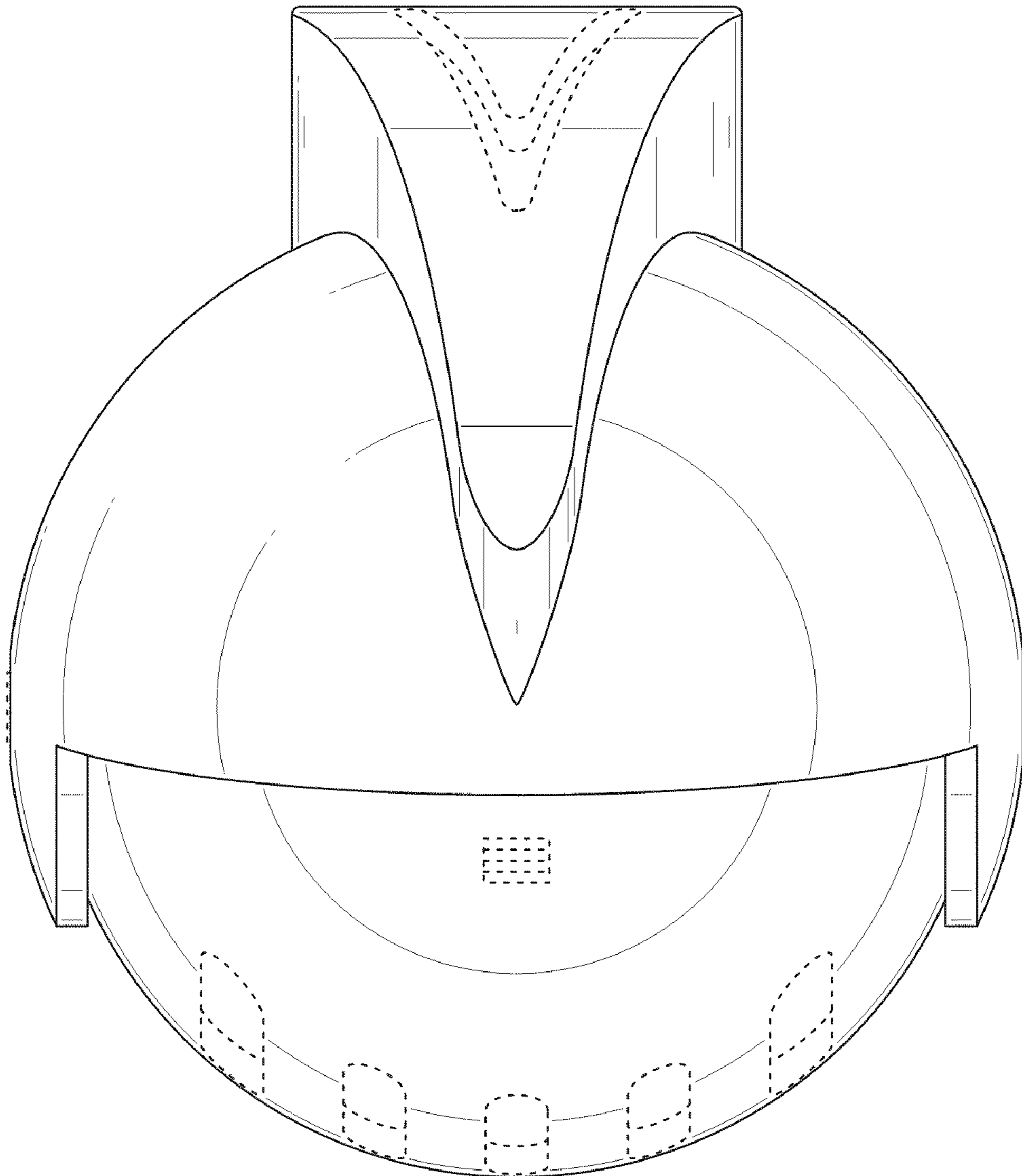


FIG. 10

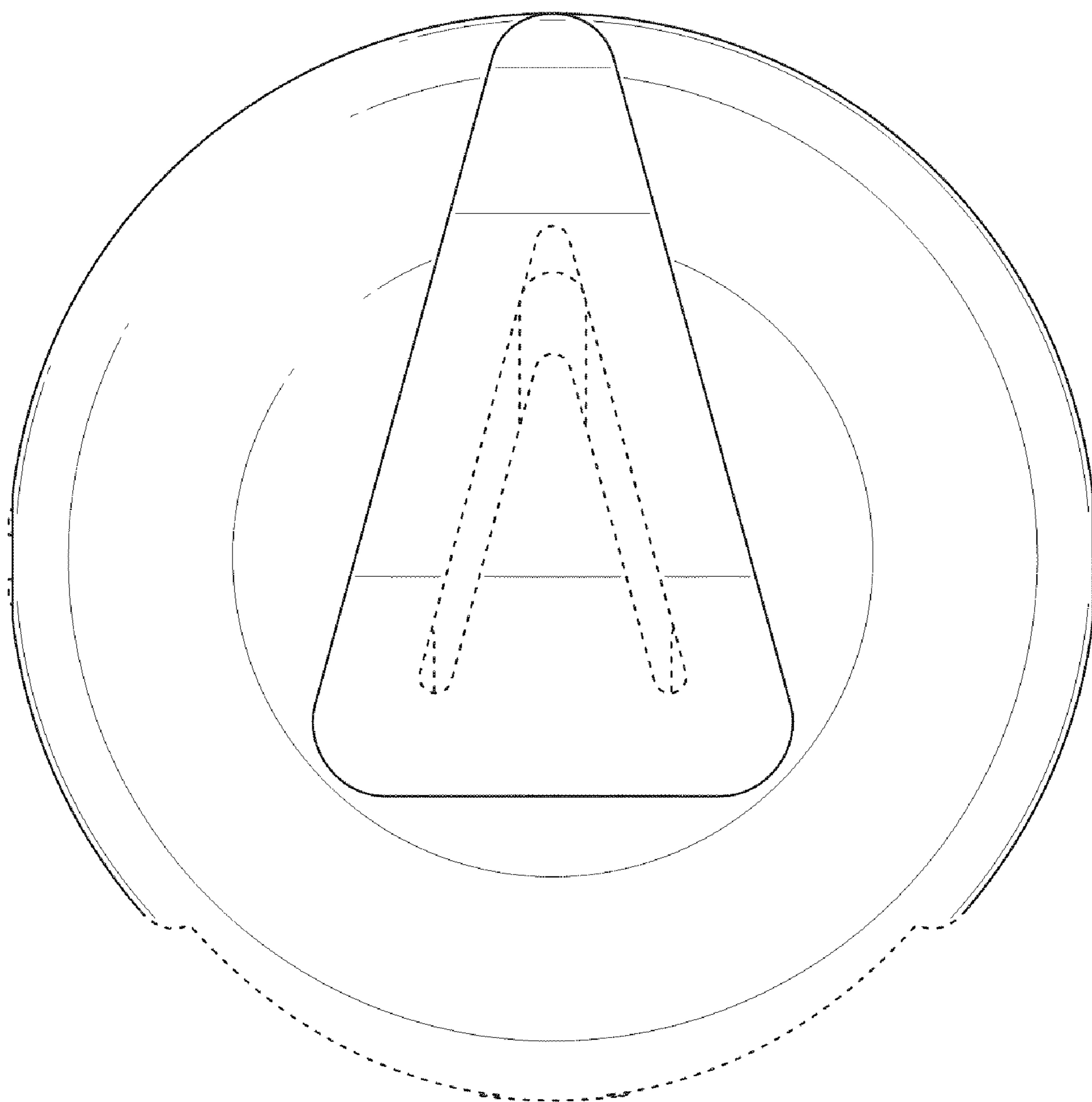


FIG. 11