



US00D648017S

(12) **United States Design Patent**
Ruegg

(10) **Patent No.:** **US D648,017 S**

(45) **Date of Patent:** **** Nov. 1, 2011**

(54) **COVER PLATE FOR AN AIR FRESHENER**

(75) Inventor: **Martin Ruegg**, MuttENZ (CH)

(73) Assignee: **S.C. Johnson & Son, Inc.**, Racine, WI (US)

(**) Term: **14 Years**

(21) Appl. No.: **29/315,273**

(22) Filed: **Jun. 10, 2009**

(51) **LOC (9) Cl.** **28-99**

(52) **U.S. Cl.** **D23/366**

(58) **Field of Classification Search** D23/355-369;
D28/5, 6; 261/DIG. 17, DIG. 42, DIG. 65,
261/DIG. 88, DIG. 89; 392/386, 390, 391,
392/392, 393, 394, 395; 239/34, 35, 44-47,
239/50, 53, 56, 60, 145, 326

See application file for complete search history.

- D360,461 S 7/1995 Gillespie
- D361,896 S 9/1995 Bramley et al.
- D366,107 S 1/1996 Shaffer
- D369,473 S 5/1996 Gluck
- D372,797 S 8/1996 Ilaria et al.
- D374,777 S 10/1996 Agam
- D376,002 S 11/1996 Upson
- D376,420 S 12/1996 Rymer
- D376,914 S 12/1996 Waszkiewicz, III
- D379,853 S 6/1997 Long et al.
- D380,822 S 7/1997 Decker et al.
- D383,613 S 9/1997 Handler
- D384,408 S 9/1997 Foreman
- D384,821 S 10/1997 Sugar
- D392,031 S 3/1998 Miller

(Continued)

Primary Examiner — Sandra Snapp

(57) **CLAIM**

The ornamental design for a cover plate for an air freshener, as shown and described.

DESCRIPTION

FIG. 1 is an isometric view of a front, bottom, and right side of an ornamental design for a cover plate for an air freshener; FIG. 2 is a front elevational view of the cover plate of FIG. 1; FIG. 3 is a front elevational view of a different embodiment of the cover plate of FIG. 1; FIG. 4 is a front elevational view of another embodiment of the cover plate of FIG. 1; FIG. 5 is a front elevational view of yet a different embodiment of the cover plate of FIG. 1; FIG. 6 is a front elevational view of still a different embodiment of the cover plate of FIG. 1; and, FIG. 7 is a front elevational view of still another embodiment of the cover plate of FIG. 1.

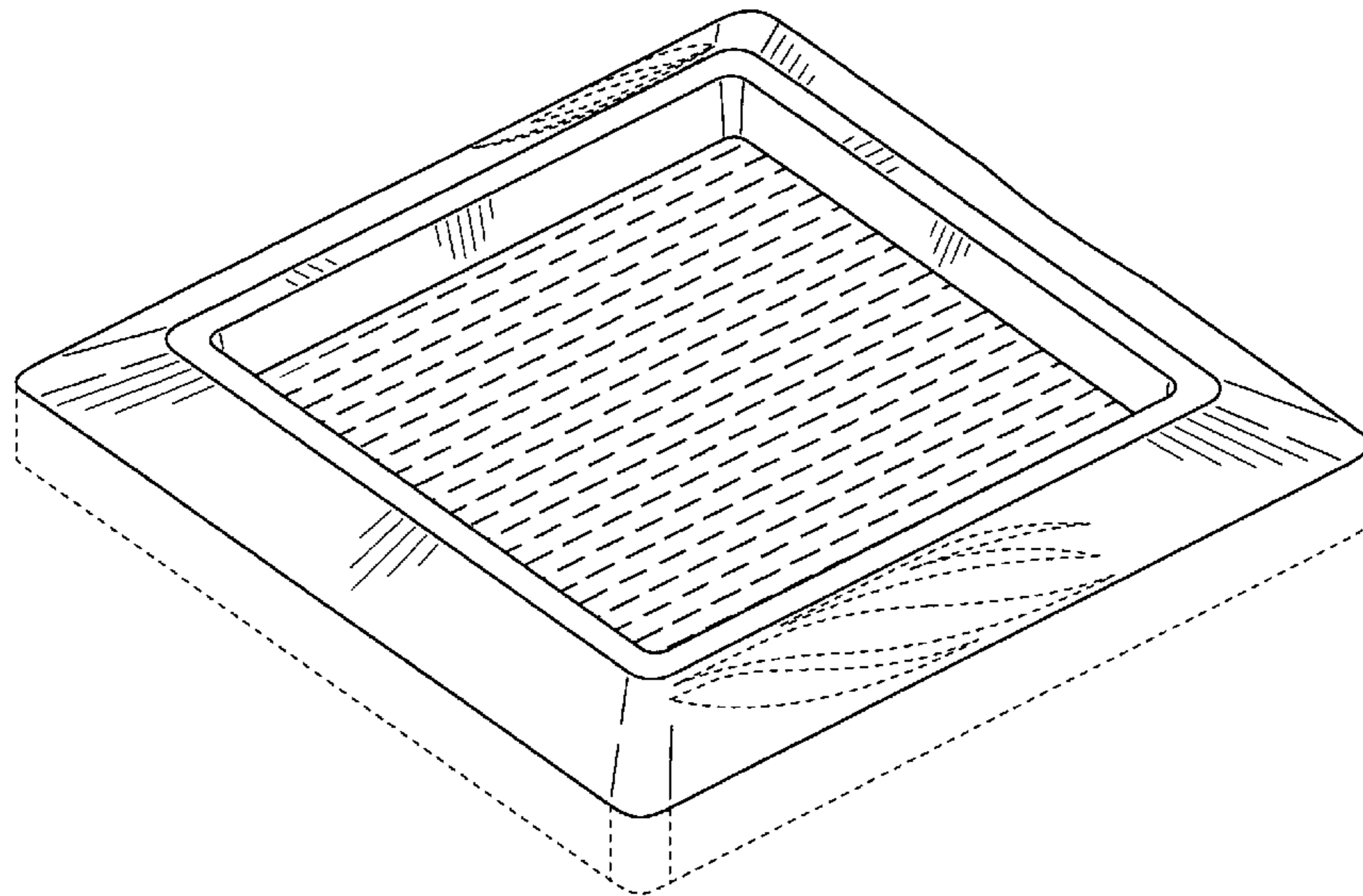
The broken lines showing of the subject matter shown is for the purpose of depicting environmental structure and forms no part of the claimed design. The drawings are lined for color.

1 Claim, 7 Drawing Sheets

(56) **References Cited**

U.S. PATENT DOCUMENTS

- D169,871 S 6/1953 Speer et al.
- D255,264 S * 6/1980 Butcher et al. D23/367
- D255,265 S * 6/1980 Butcher et al. D23/367
- D260,503 S 9/1981 Stangarone
- D268,266 S * 3/1983 Johnson et al. D15/72
- D269,838 S 7/1983 Altonaga
- D271,359 S 11/1983 Le
- D275,223 S 8/1984 Marxen
- D275,700 S 9/1984 Marxen
- D279,146 S 6/1985 McCaffrey
- D288,003 S 1/1987 Hoyt
- D296,957 S 8/1988 Gordon et al.
- D305,703 S 1/1990 Wang
- D325,077 S 3/1992 Kearnes
- D339,238 S 9/1993 Hamilton
- D339,242 S 9/1993 Sontag et al.
- D346,068 S 4/1994 White
- D346,856 S 5/1994 Kany
- D354,627 S 1/1995 Rowan
- D358,037 S 5/1995 Monroe



US D648,017 S

Page 2

U.S. PATENT DOCUMENTS

D399,298 S	10/1998	Whitehead	D485,607 S	1/2004	Wu	
D401,767 S	12/1998	Leung	D487,308 S	3/2004	Engerant	
D405,473 S	2/1999	Tikhonski et al.	D498,524 S	11/2004	Morillas	
D405,961 S	2/1999	Stangl et al.	D498,525 S	11/2004	Harbutt et al.	
D407,809 S	4/1999	Hammond	D498,836 S	11/2004	Morillas	
D424,812 S	5/2000	Kacius	D503,974 S	4/2005	Morillas	
D431,075 S	9/2000	Barraclough	D504,500 S	4/2005	Morillas	
D435,100 S	12/2000	Pesu et al.	D508,285 S *	8/2005	Velicescu	D23/366
D437,404 S	2/2001	Wu	D515,681 S	2/2006	Muir et al.	
D438,607 S	3/2001	Edwards et al.	D520,130 S	5/2006	Miró	
D439,964 S	4/2001	Wu	D522,640 S	6/2006	Miró	
D441,441 S	5/2001	Upson	D528,309 S	9/2006	Schwind	
D445,262 S	7/2001	Rowan	D541,054 S	4/2007	Schwind	
D456,620 S	5/2002	Vincent	D548,827 S	8/2007	Pivert et al.	
D456,888 S	5/2002	Buthier	D561,887 S	2/2008	Friedman et al.	
D461,006 S	7/2002	Buthier	D592,948 S *	5/2009	Mayer	D23/359
D461,393 S	8/2002	Aubert Capella	D607,095 S *	12/2009	LeMay et al.	D23/366
D476,726 S	7/2003	Rosenberg	D628,267 S *	11/2010	Dittmann et al.	D23/209
D479,742 S	9/2003	Hollingsworth	D628,268 S *	11/2010	Dittmann et al.	D23/209
D480,221 S	10/2003	Luciano	D628,269 S *	11/2010	Dittmann et al.	D23/209
D481,113 S	10/2003	Groene et al.	D638,112 S *	5/2011	Hisey et al.	D23/366
D481,785 S	11/2003	Koike				

* cited by examiner

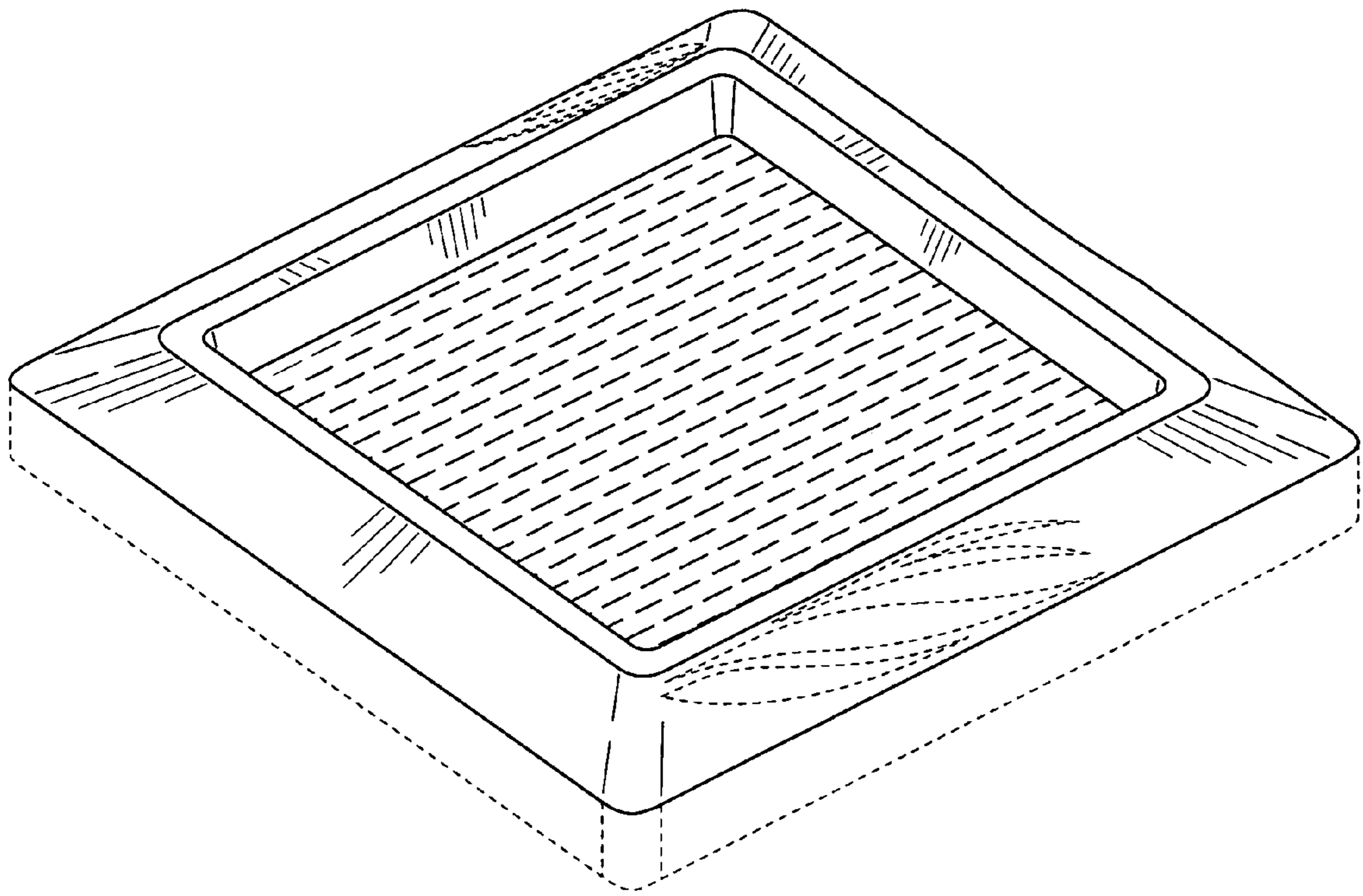


FIG. 1

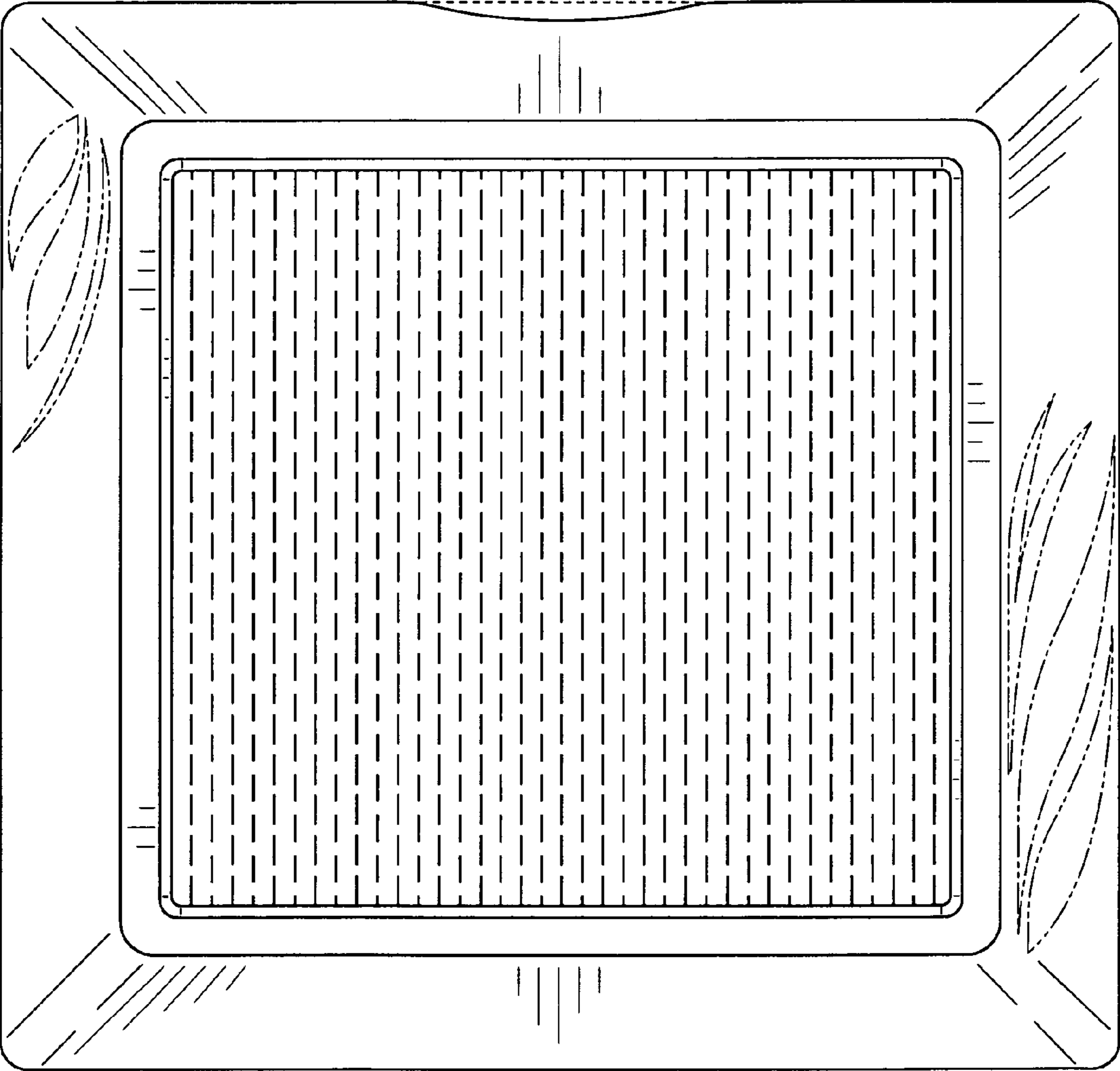


FIG. 2

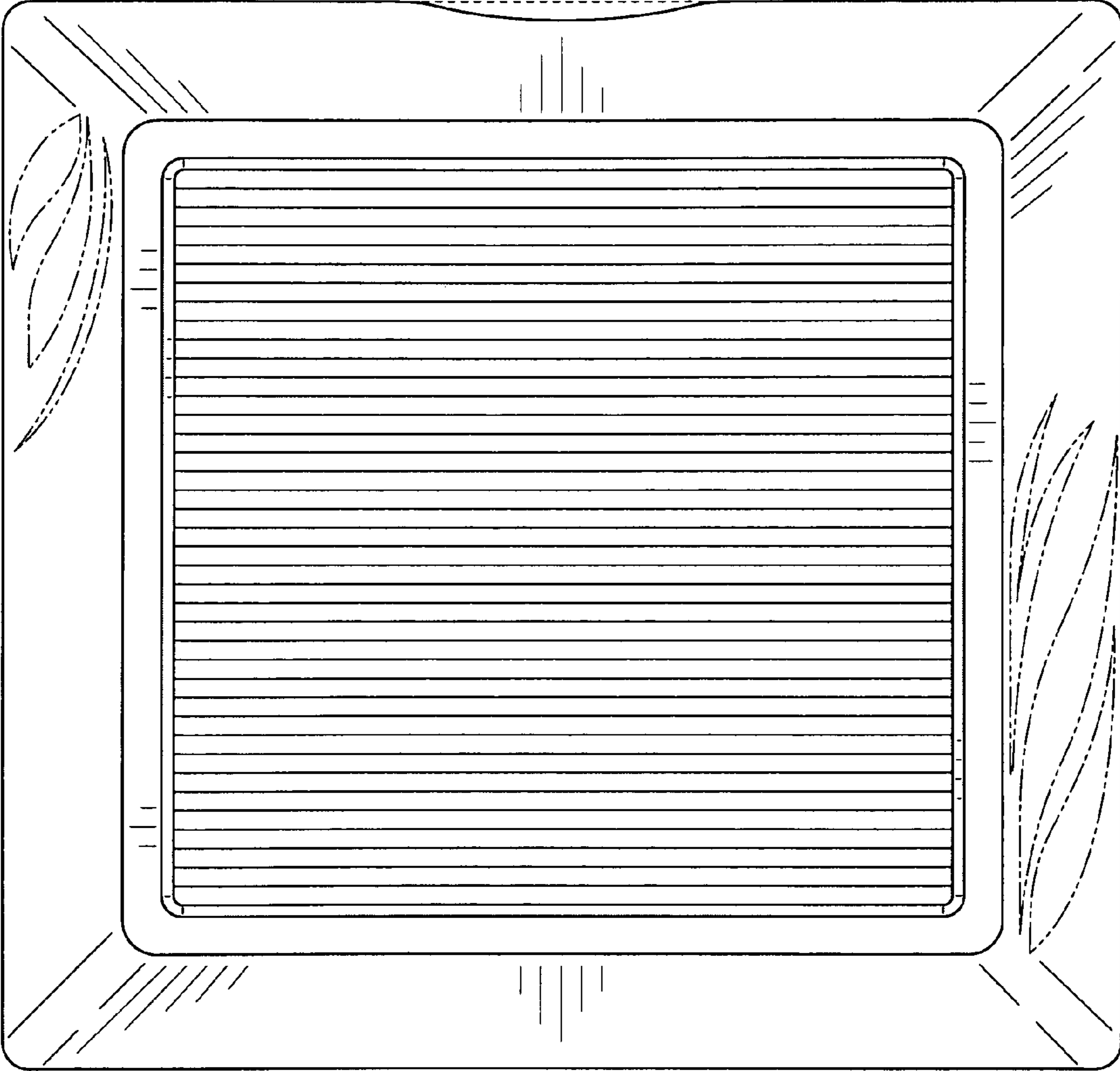


FIG. 3

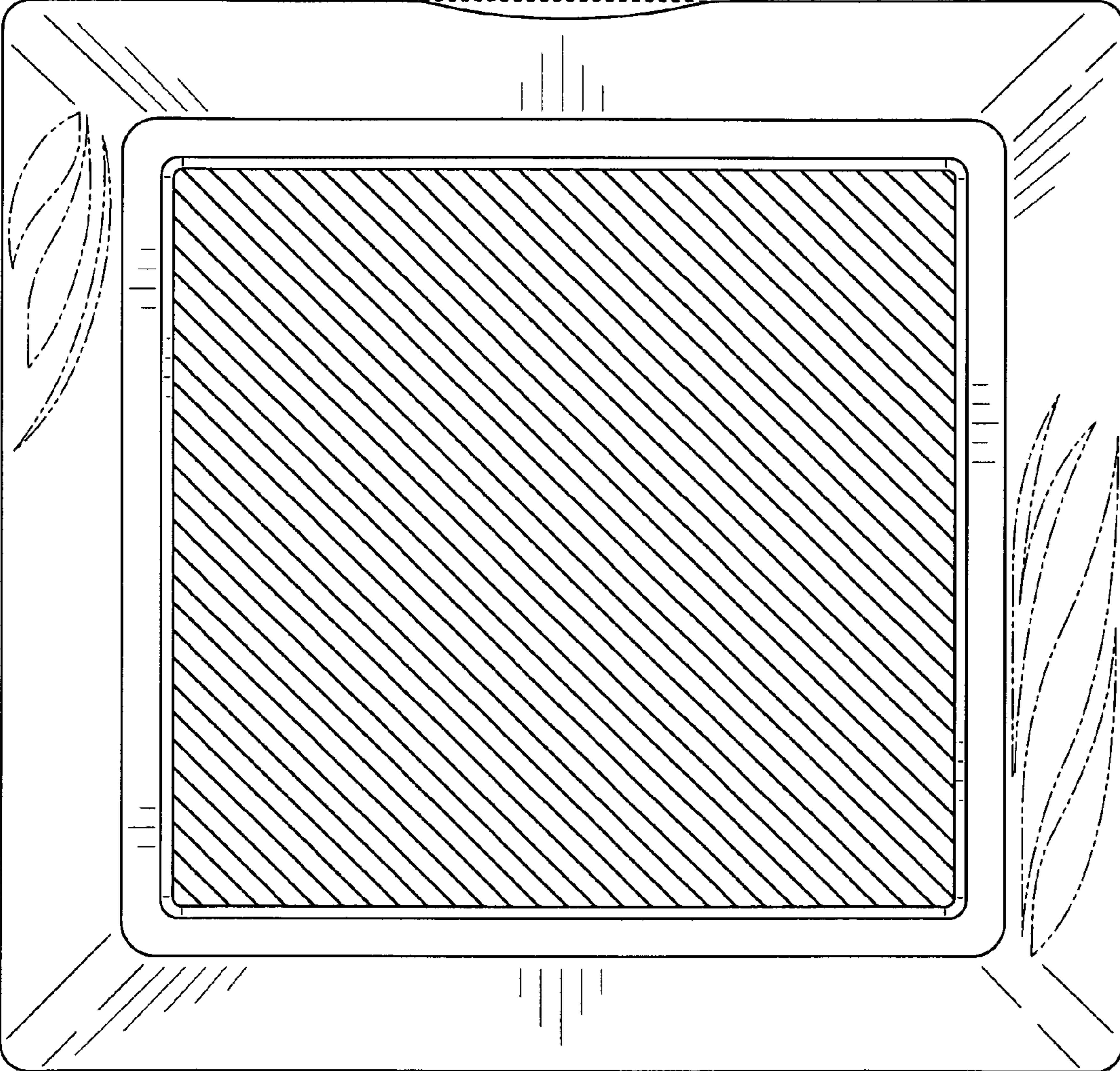


FIG. 4

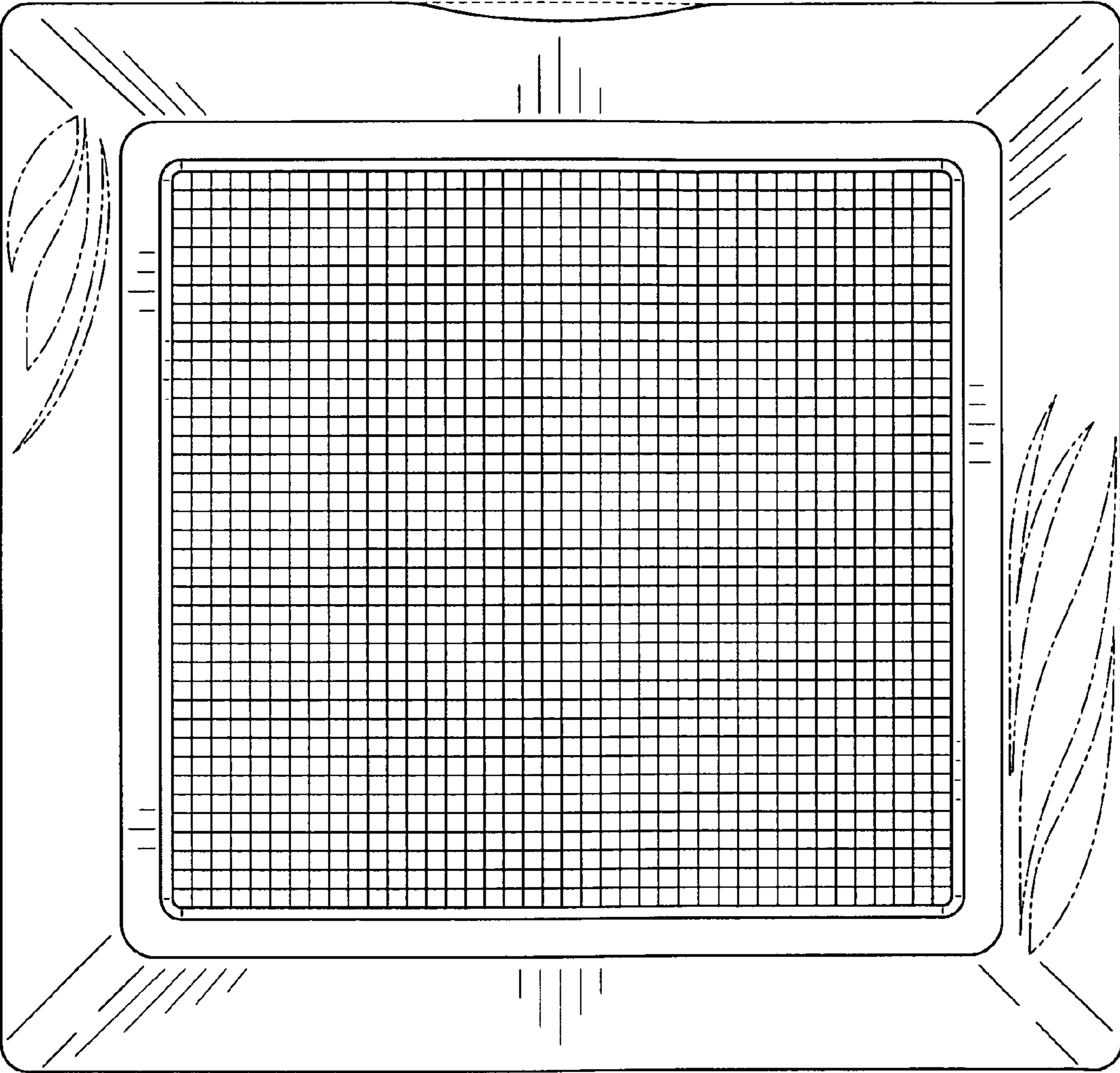


FIG. 5

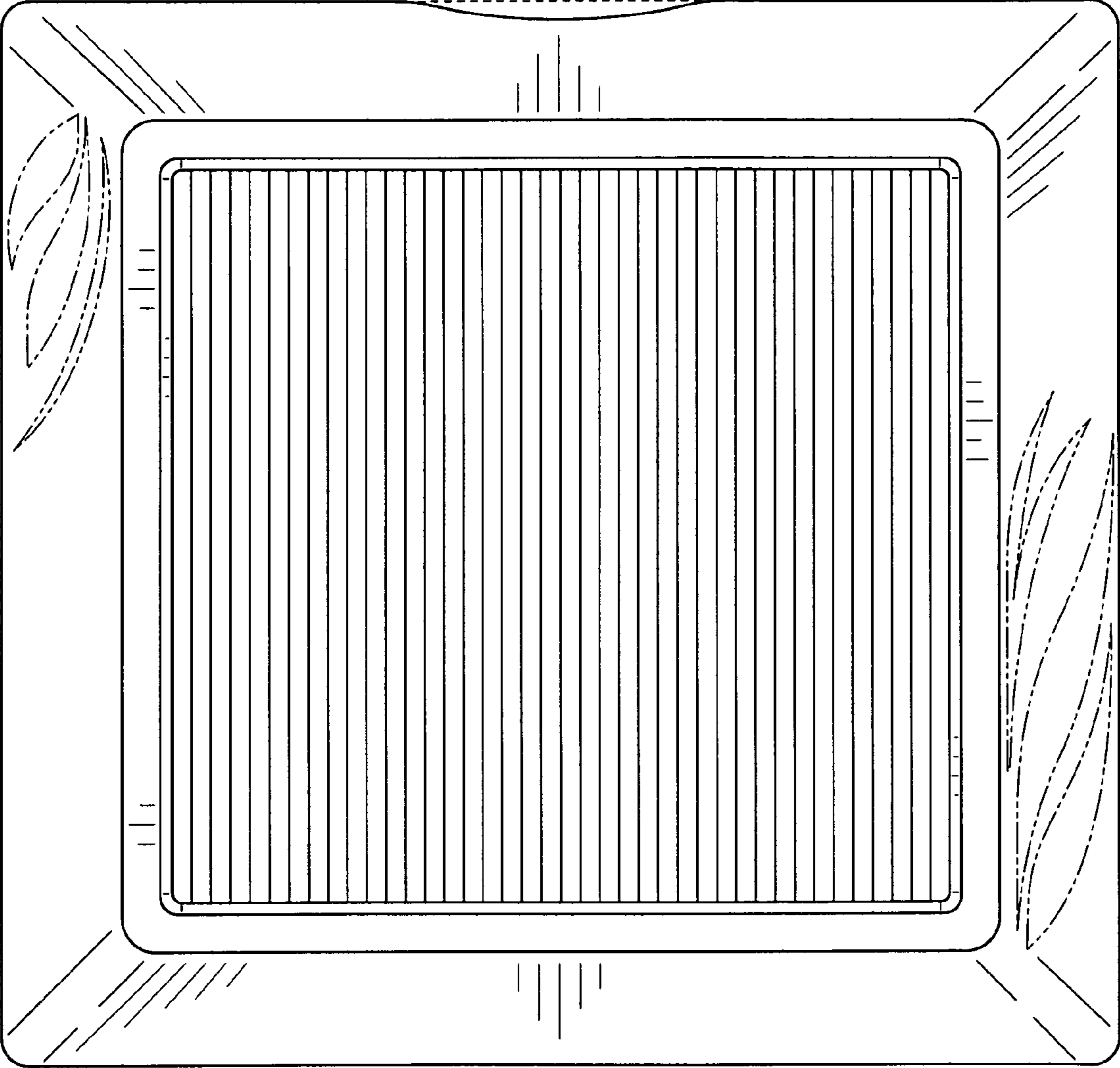


FIG. 6

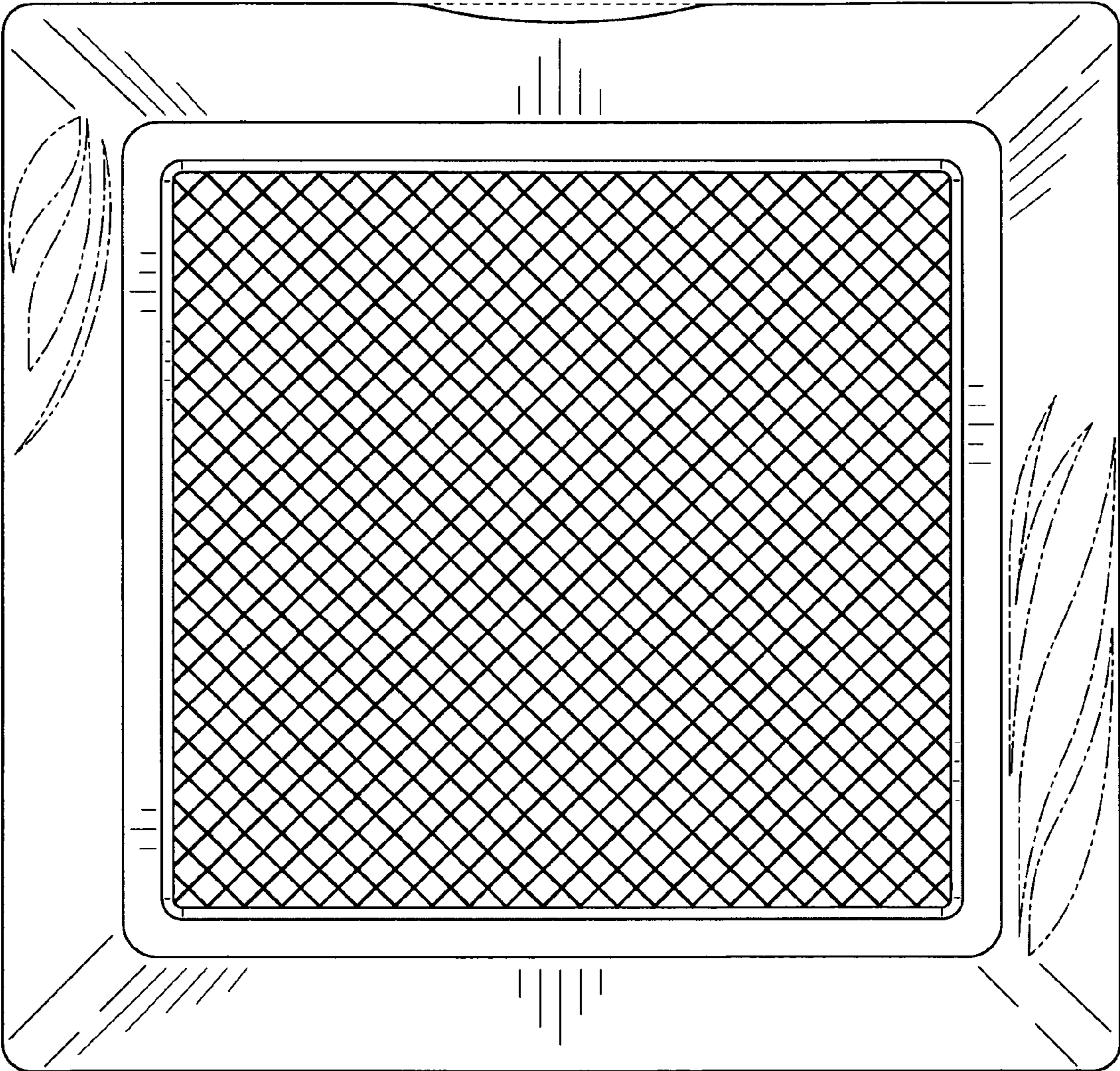


FIG. 7