



US00D648013S

(12) **United States Design Patent**
Baek et al.

(10) **Patent No.:** **US D648,013 S**
(45) **Date of Patent:** **** Nov. 1, 2011**

(54) **AIR CONDITIONER**

(75) Inventors: **Seungho Baek**, Seoul (KR); **Hyein Jung**, Seoul (KR); **Joogyeon Kim**, Seoul (KR); **Gangui Cho**, Seoul (KR)

(73) Assignee: **LG Electronics Inc.**, Seoul (KR)

(**) Term: **14 Years**

(21) Appl. No.: **29/393,690**

(22) Filed: **Jun. 8, 2011**

(30) **Foreign Application Priority Data**

Dec. 29, 2010 (KR) 30-2010-0056479

(51) **LOC (9) Cl.** **23-04**

(52) **U.S. Cl.** **D23/351**

(58) **Field of Classification Search** D23/351-354,
D23/385, 355, 357, 361; 312/236; 62/259.1,
62/259.4, 262-263, 304; 454/330-331, 349-350
See application file for complete search history.

(56) **References Cited**

U.S. PATENT DOCUMENTS

D487,142 S * 2/2004 Yoo D23/351
D529,593 S * 10/2006 Mishiro et al. D23/351

D568,975 S * 5/2008 Lim D23/351
D571,907 S * 6/2008 Choi D23/351
D580,534 S * 11/2008 Oh et al. D23/351
D580,536 S * 11/2008 Oh et al. D23/351
D584,806 S * 1/2009 Oh et al. D23/351
D613,842 S * 4/2010 Yamashita D23/351
D641,847 S * 7/2011 Seki D23/351
D641,851 S * 7/2011 Chouji D23/351
D642,249 S * 7/2011 Seki D23/351

* cited by examiner

Primary Examiner — Brian N Vinson

(74) *Attorney, Agent, or Firm* — Birch, Stewart, Kolasch & Birch, LLP

(57) **CLAIM**

The ornamental design for a air conditioner, as shown and described.

DESCRIPTION

FIG. 1 is a top, front, perspective view of a air conditioner showing our new design;
FIG. 2 is a front view thereof;
FIG. 3 is a rear view thereof;
FIG. 4 is a left side view thereof;
FIG. 5 is a right side view thereof;
FIG. 6 is a top view thereof; and,
FIG. 7 is a bottom view thereof.

1 Claim, 4 Drawing Sheets

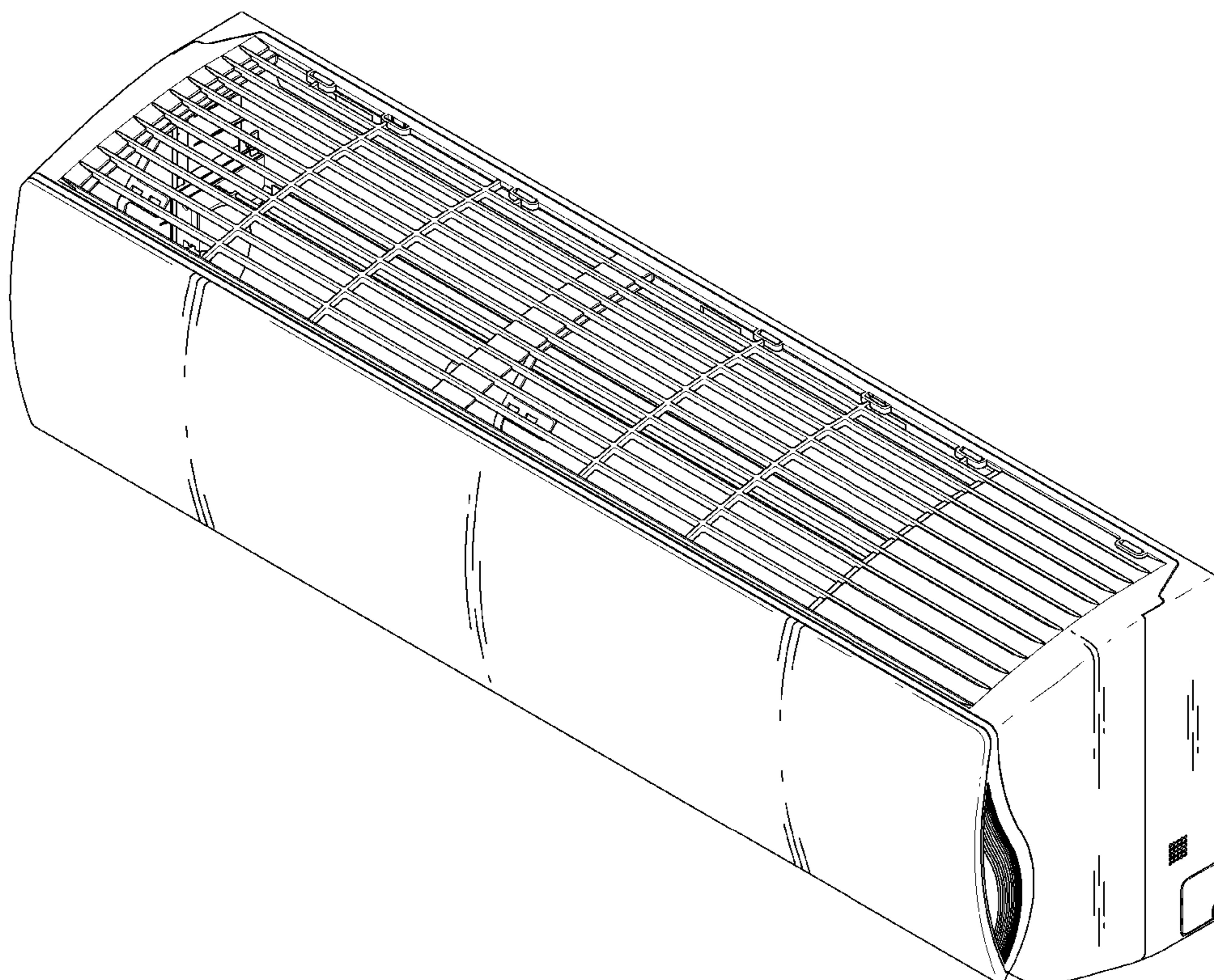


FIG. 1

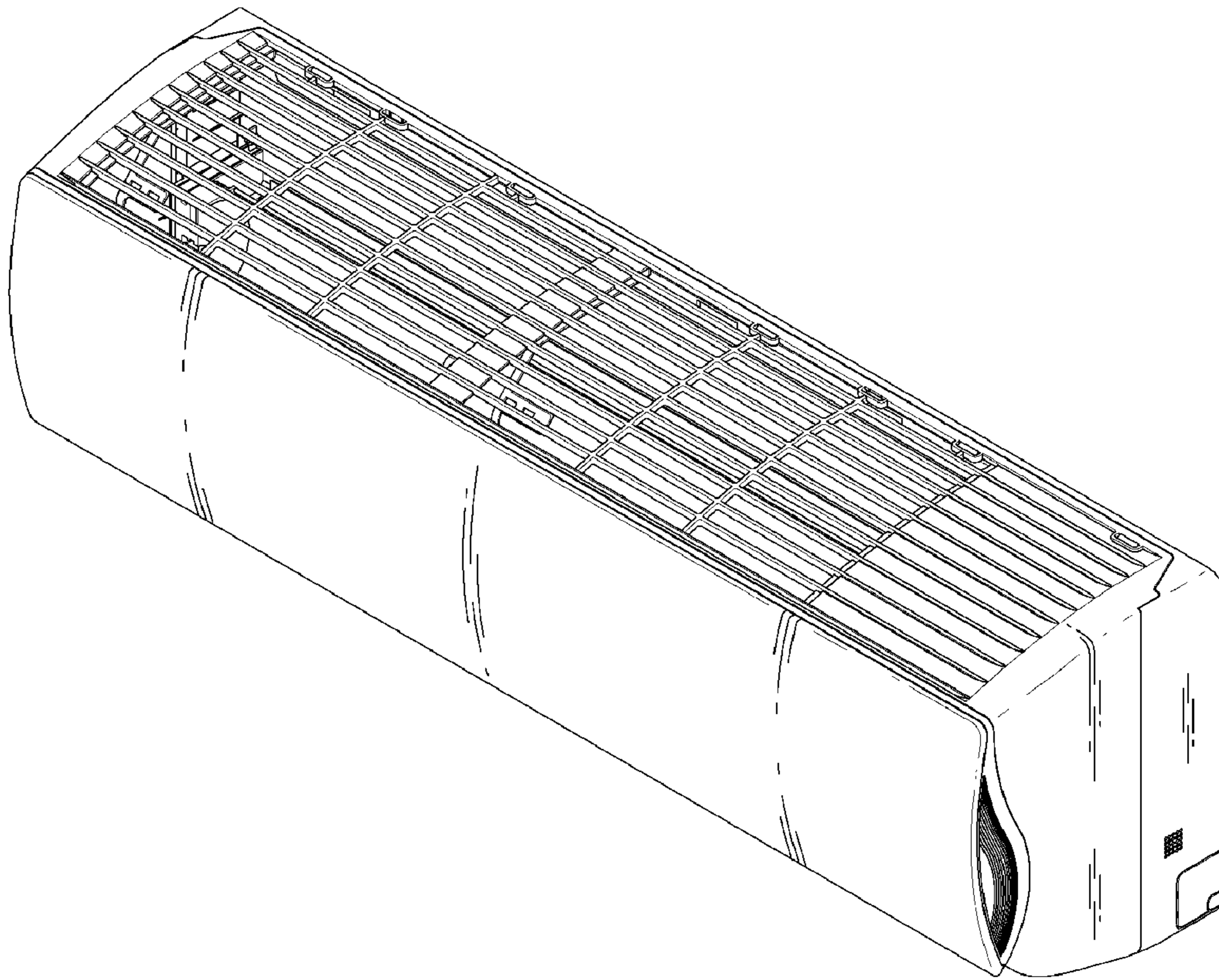


FIG. 2



FIG. 3

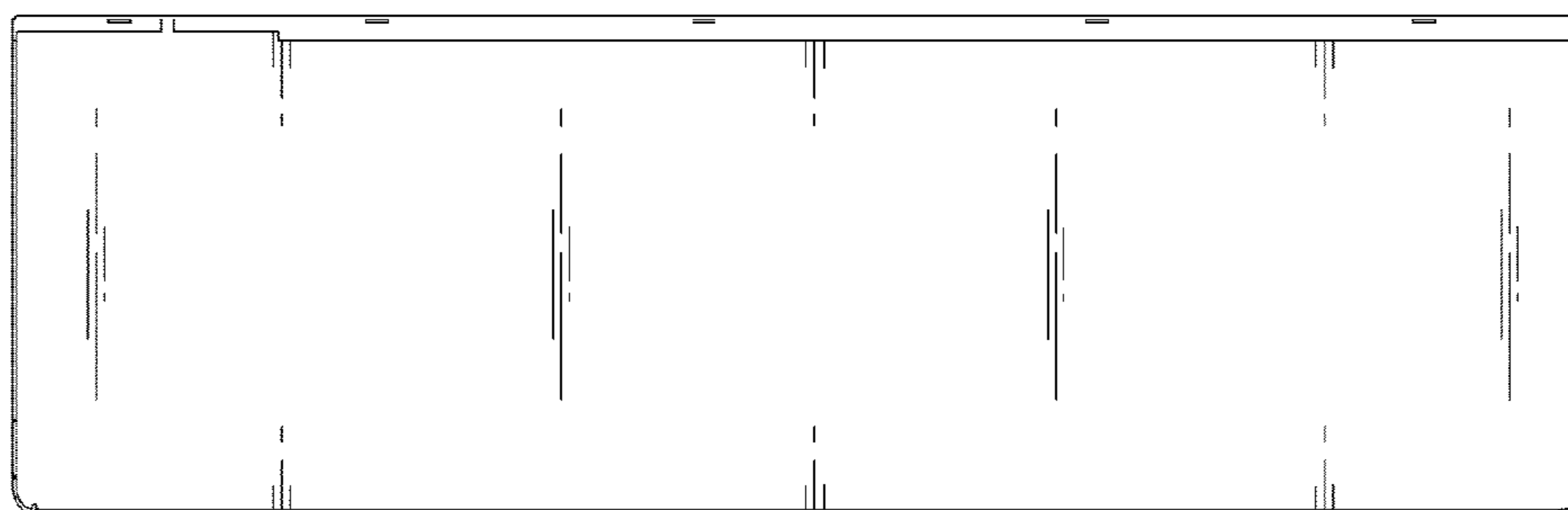


FIG. 4

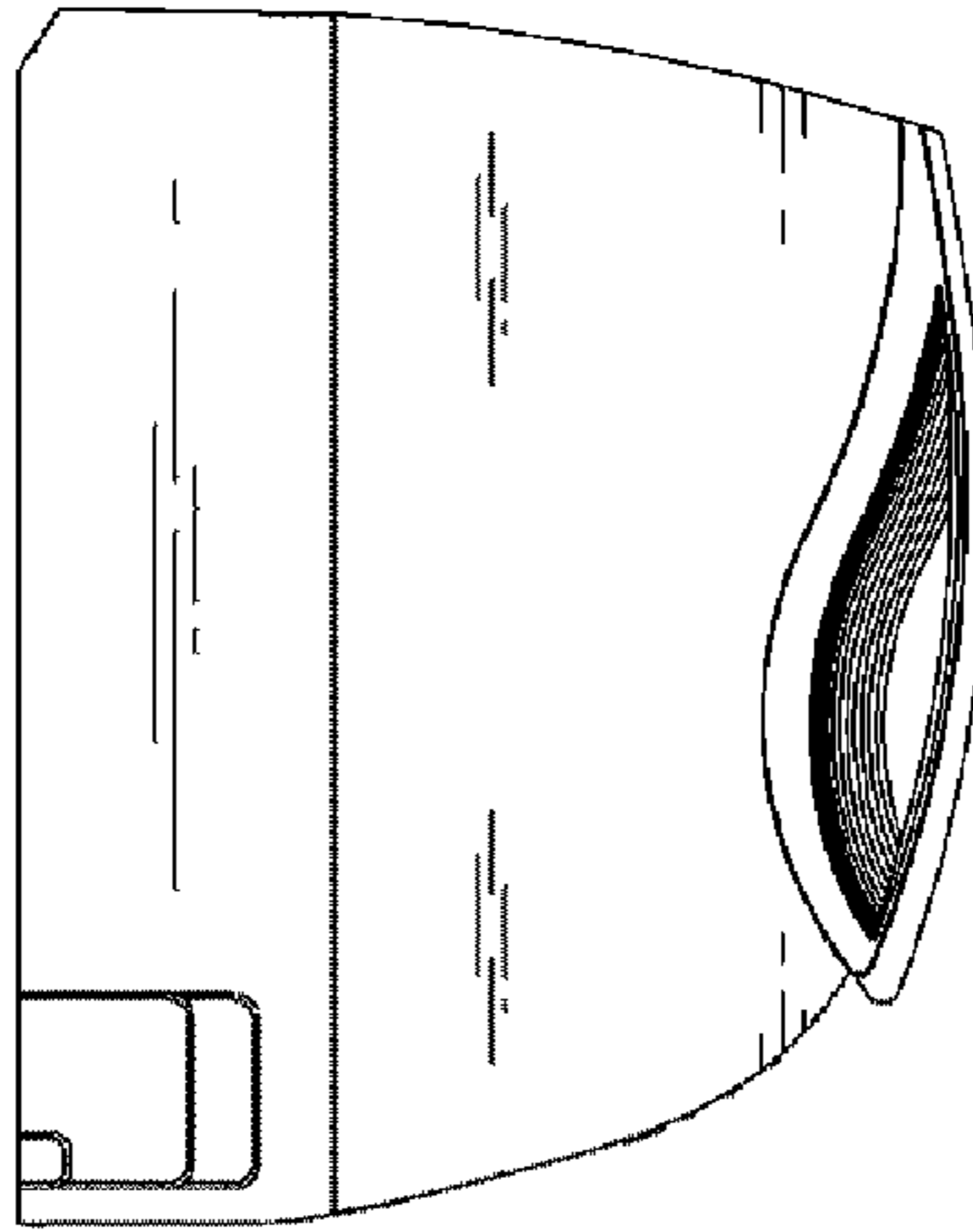


FIG. 5

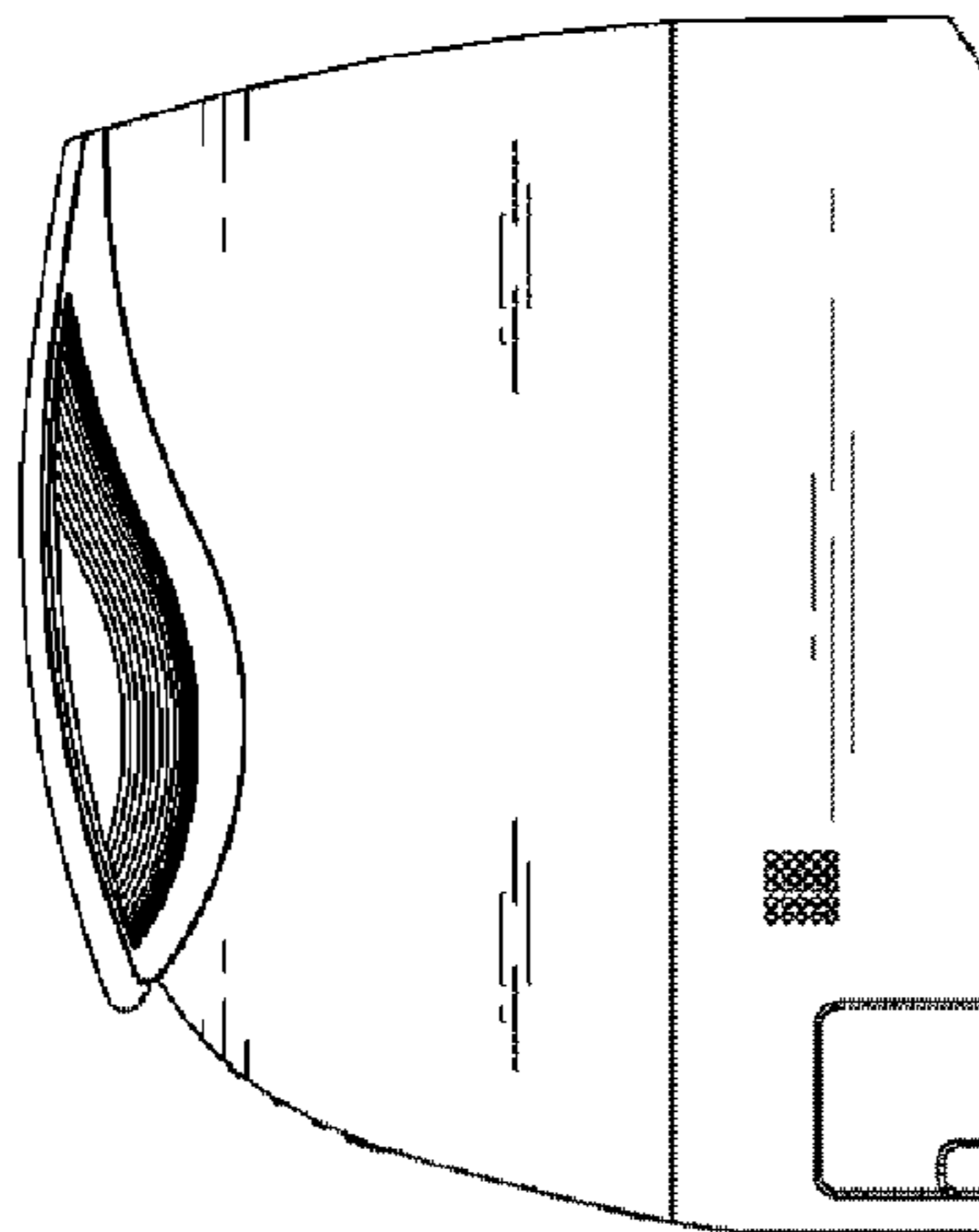


FIG. 6

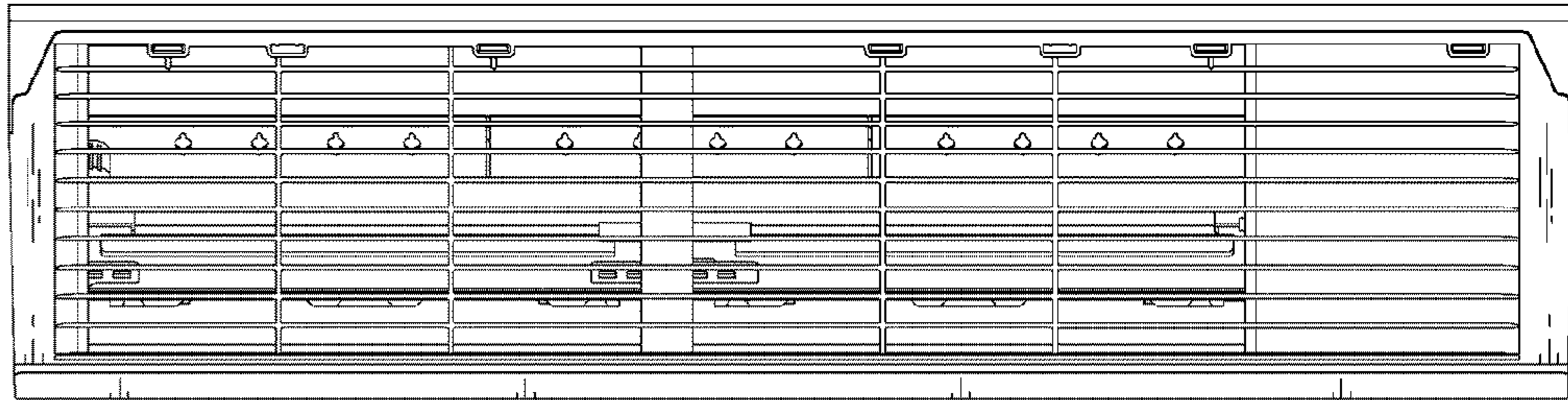


FIG. 7

