



US00D648011S

(12) **United States Design Patent**
Mikami

(10) **Patent No.:** **US D648,011 S**

(45) **Date of Patent:** **** Nov. 1, 2011**

(54) **AIR COOLING DEVICE**

D617,887 S * 6/2010 Sata et al. D23/351
D628,685 S * 12/2010 Aoyama et al. D23/351
D629,878 S * 12/2010 Kaiser et al. D23/351

(75) Inventor: **Teruo Mikami**, Tokyo (JP)

* cited by examiner

(73) Assignee: **Hitachi Plant Technologies, Ltd.**,
Tokyo (JP)

Primary Examiner — Brian N Vinson

(74) *Attorney, Agent, or Firm* — Antonelli, Terry, Stout &
Kraus, LLP.

(**) Term: **14 Years**

(57) **CLAIM**

We claim the ornamental design for an air cooling device, as shown.

(21) Appl. No.: **29/391,039**

(22) Filed: **May 3, 2011**

DESCRIPTION

(30) **Foreign Application Priority Data**

Nov. 10, 2010 (JP) 2010-027003

(51) **LOC (9) Cl.** **23-04**

(52) **U.S. Cl.** **D23/351**

(58) **Field of Classification Search** D6/314,
D6/317, 332-333, 351; 312/236; 62/259.1,
62/259.3, 259.4, 262-263, 304, 401, 515-516;
454/330-331, 349-350, 354

See application file for complete search history.

FIG. 1 is a front perspective view of an air conditioning device seen from on the top left side.

FIG. 2 is a rear perspective view thereof seen from on the bottom right side.

FIG. 3 is a front elevation view thereof.

FIG. 4 is a rear elevation view thereof.

FIG. 5 is a top plan view thereof.

FIG. 6 is a bottom plan view thereof.

FIG. 7 is a left elevation view thereof; and,

FIG. 8 is a right elevation view thereof.

The air cooling device is ordinarily installed on a roof of a server room, has a heat exchanger and a fan therein and is used to cool a server rack in the server room where computers are housed, in such a way that air is sucked from an inlet on a bottom surface, cooled through the heat exchanger and blown out from through an outlet on a front surface by the fan.

(56) **References Cited**

U.S. PATENT DOCUMENTS

D435,095 S * 12/2000 Nanjo D23/351
D562,954 S * 2/2008 Brenneke et al. D23/351
D605,271 S * 12/2009 Sata et al. D23/351

1 Claim, 7 Drawing Sheets

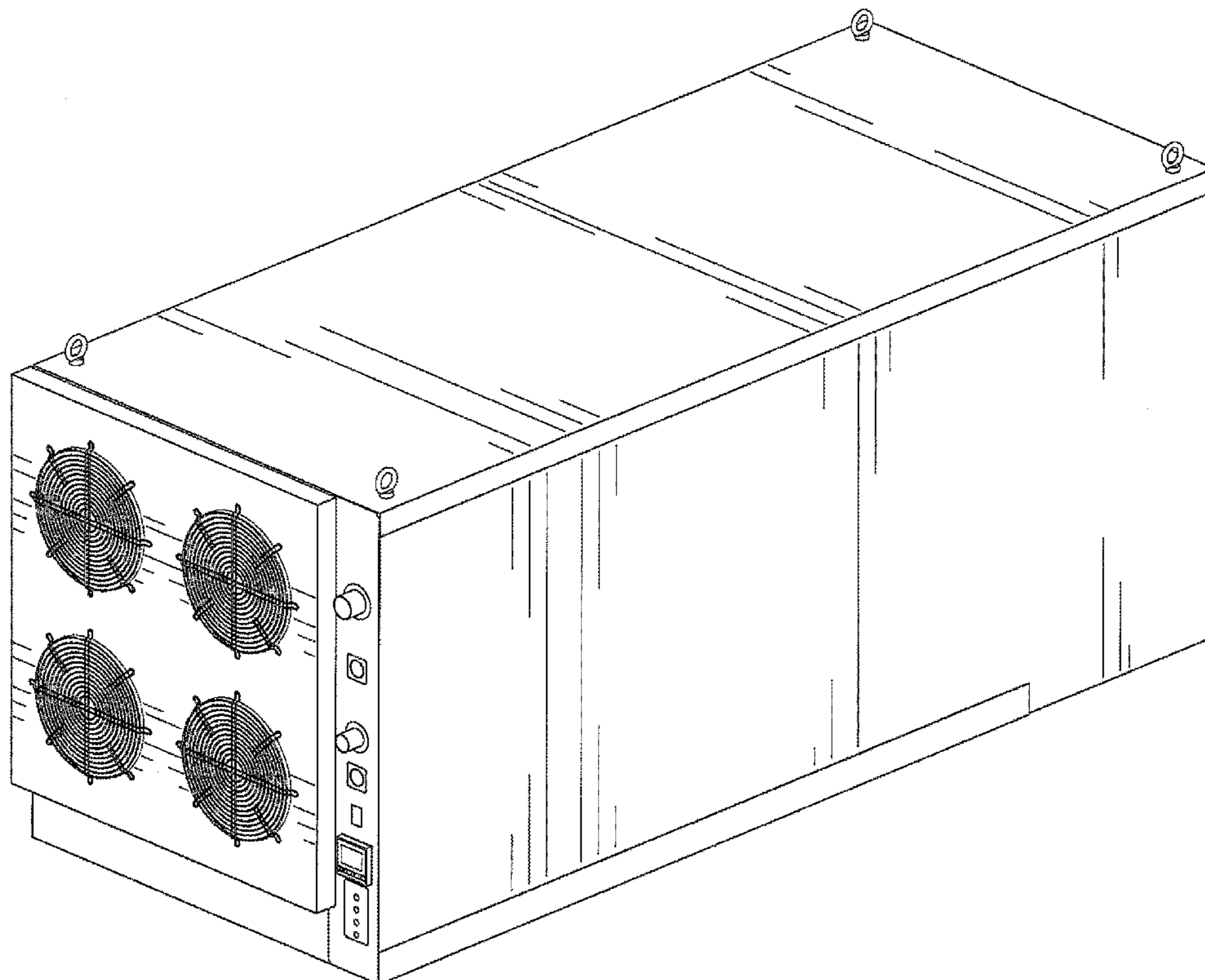


FIG. 1

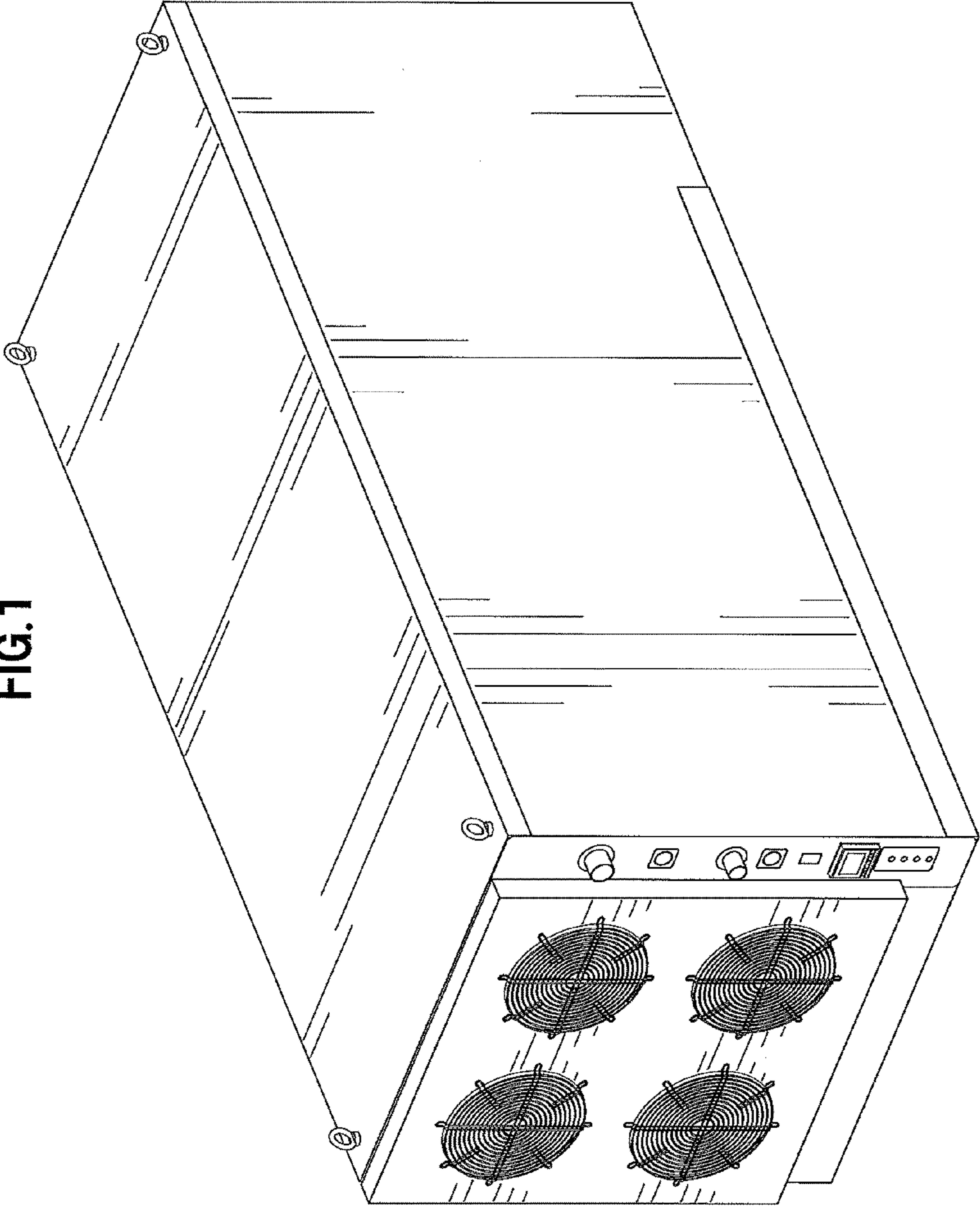


FIG.2

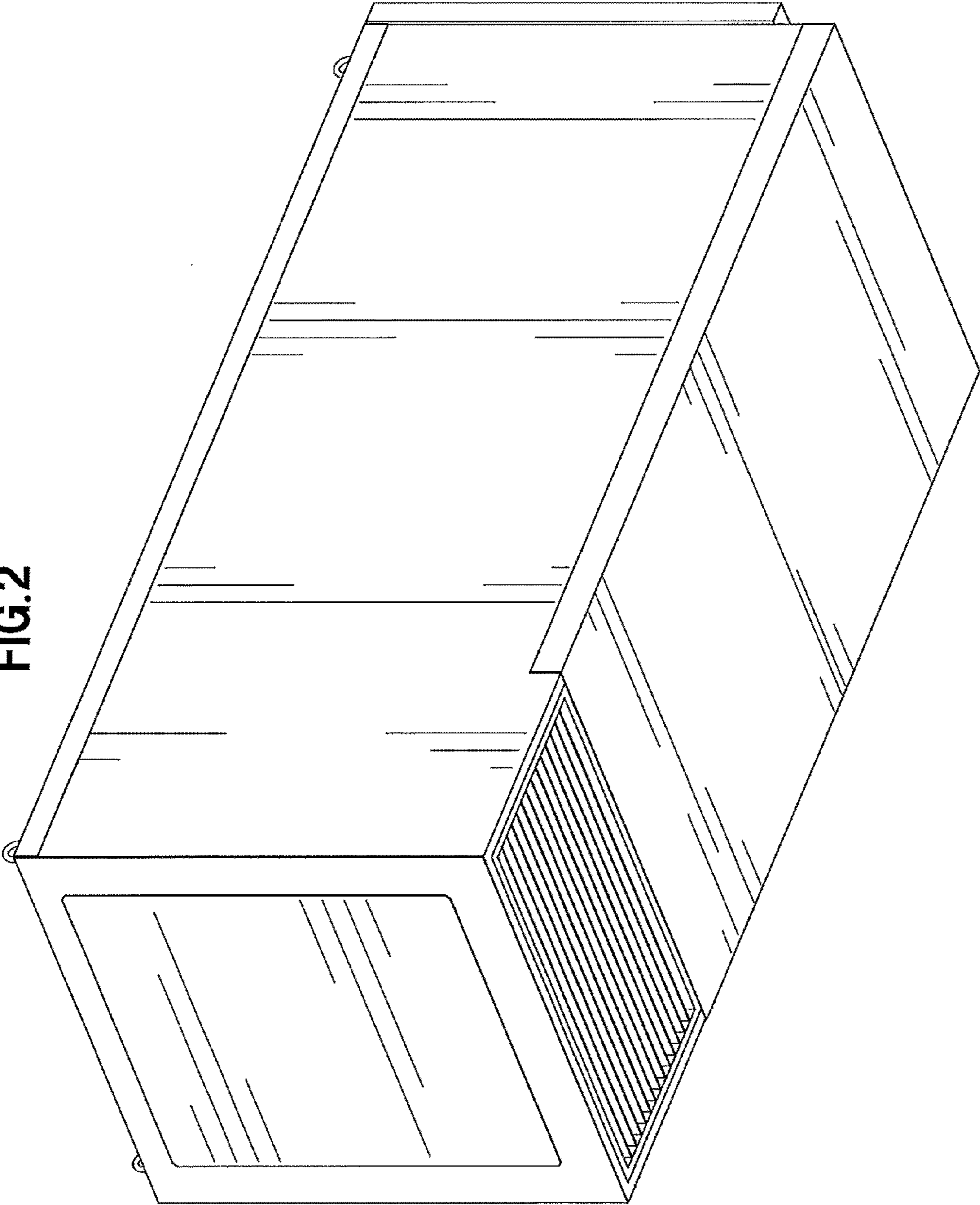


FIG.3

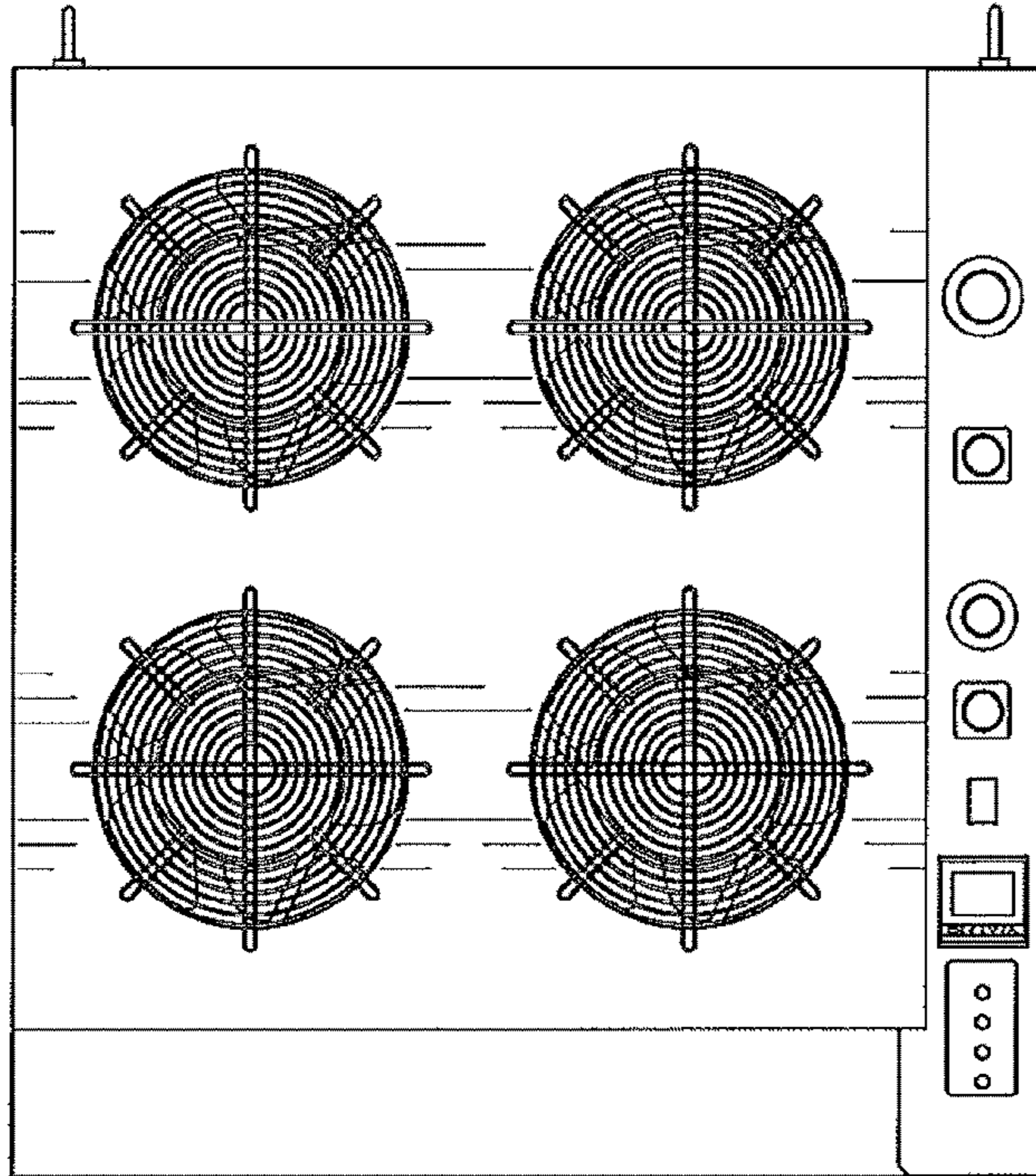


FIG.4

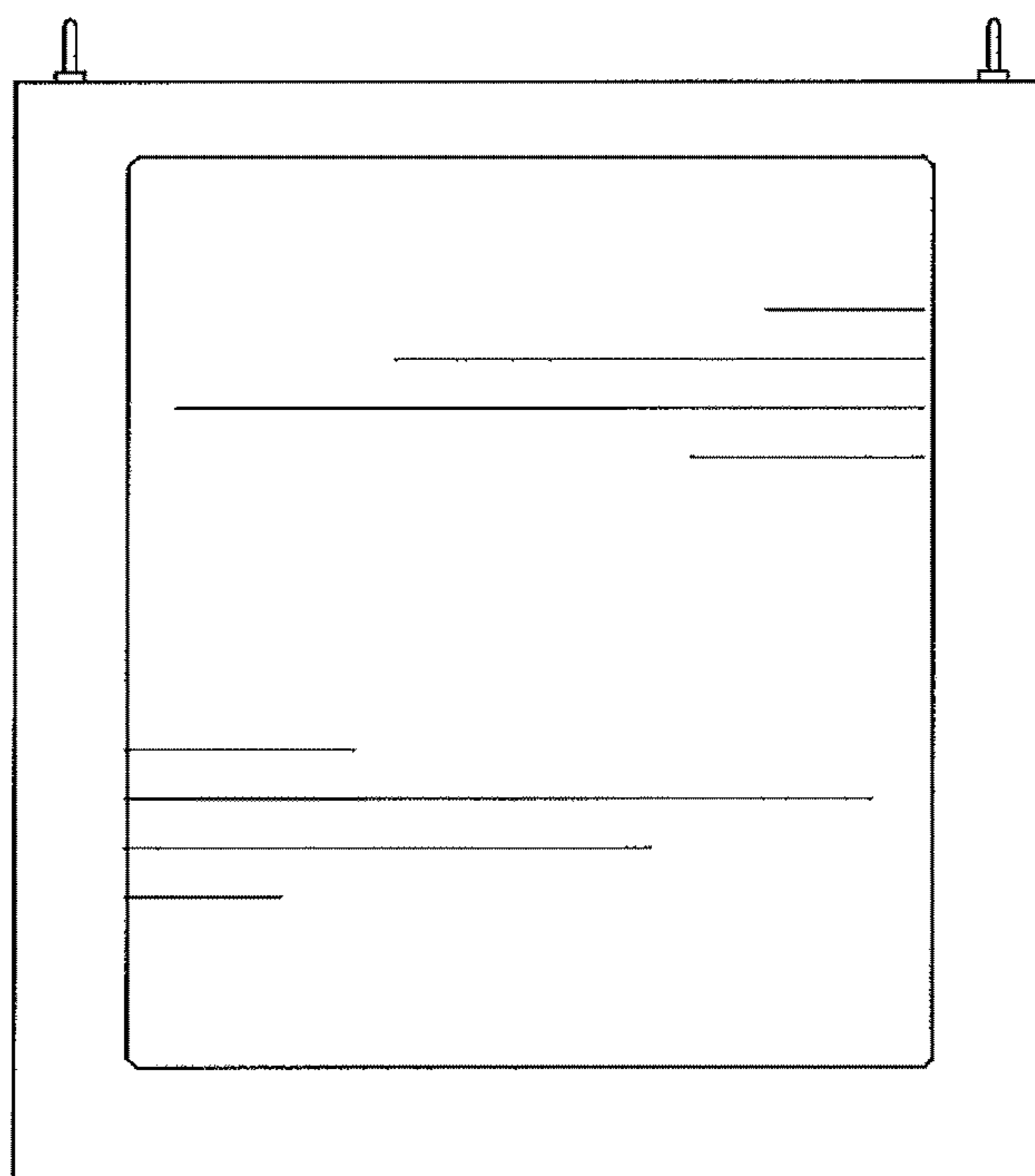


FIG. 5

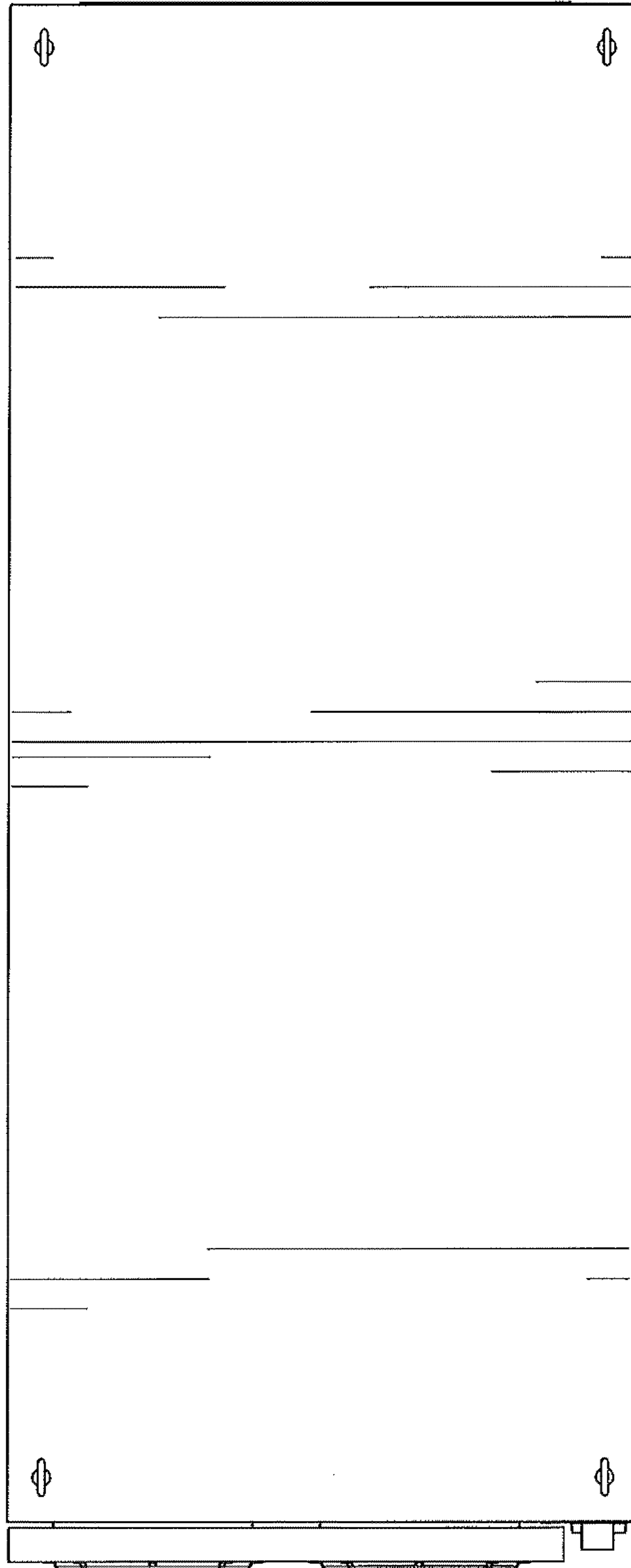


FIG. 6

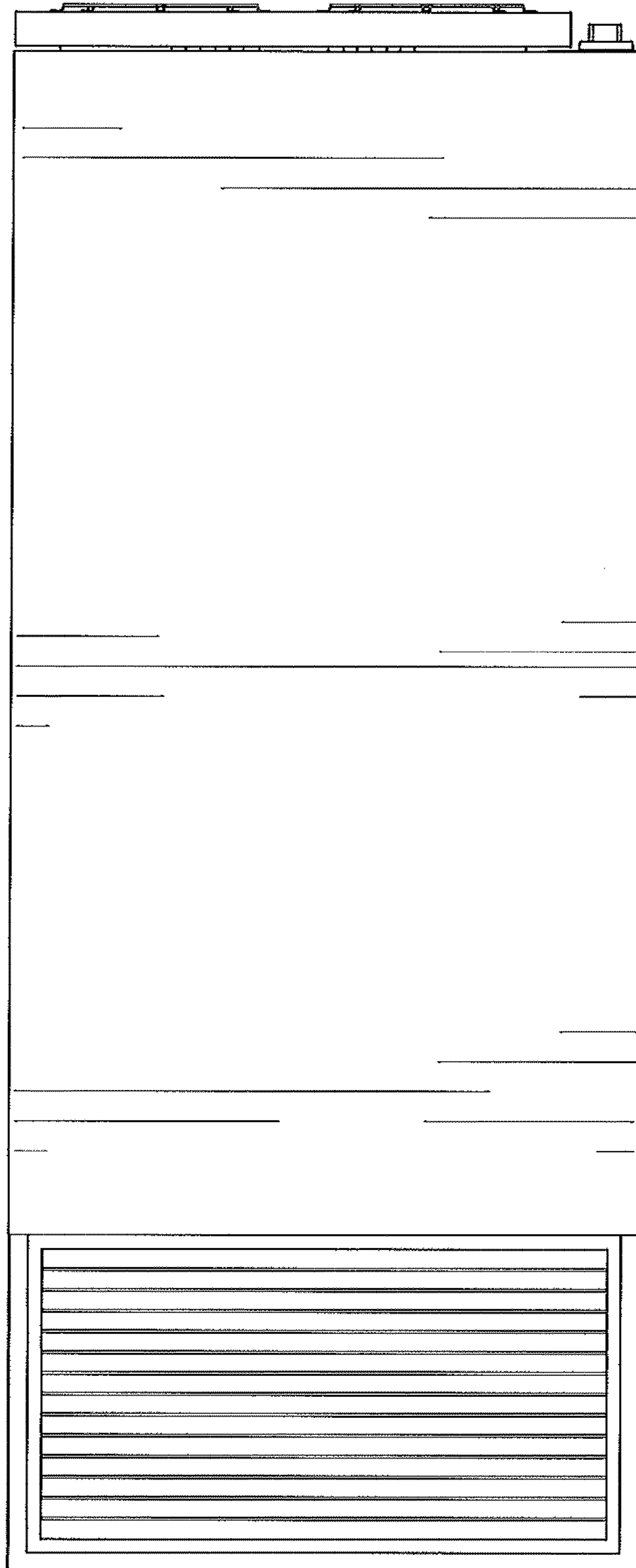


FIG. 7

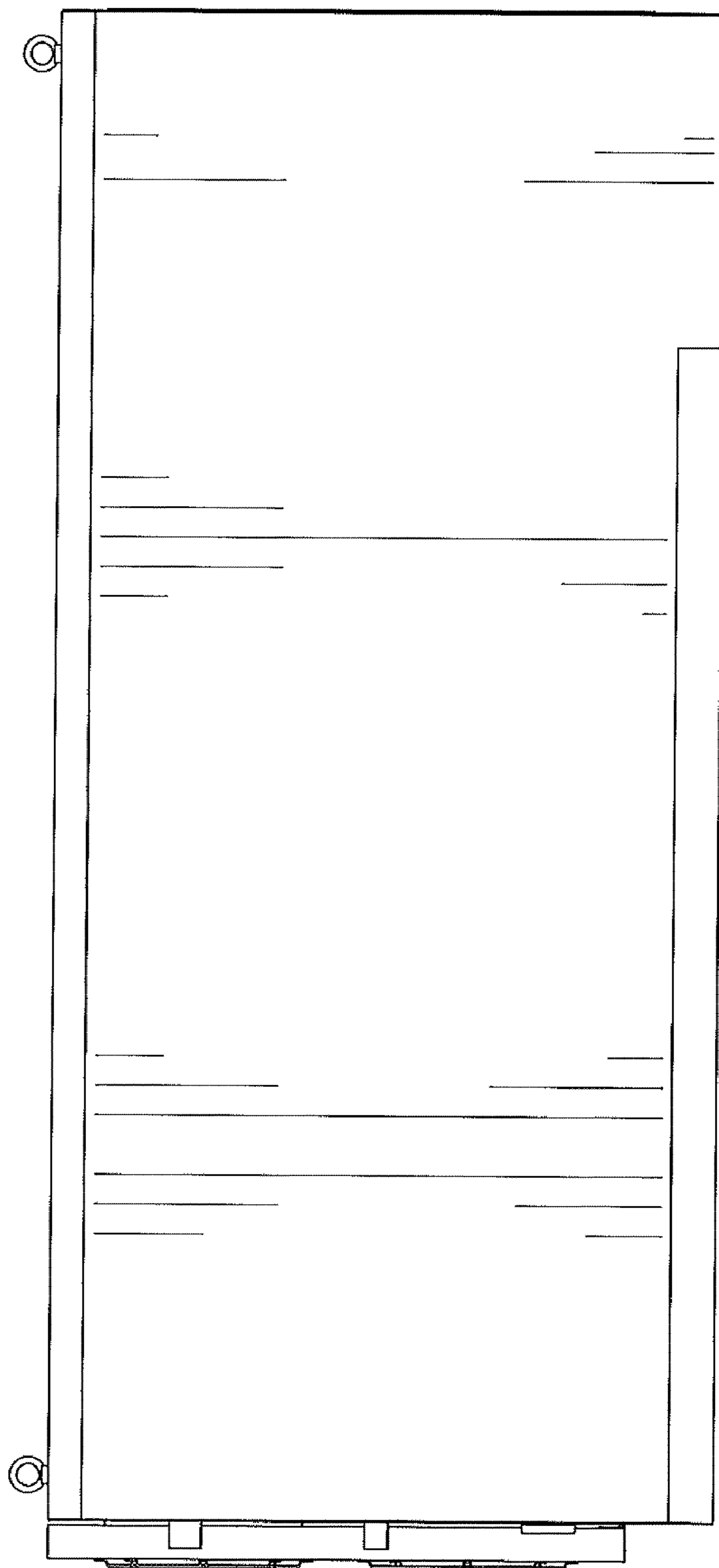


FIG. 8

