



US00D648010S

(12) **United States Design Patent**
Freriks

(10) **Patent No.:** **US D648,010 S**

(45) **Date of Patent:** **** Nov. 1, 2011**

(54) **HEAD REST/CUSHION FOR FITTING INTO A U-SHAPED DEPRESSION OF A SALON SHAMPOO BOWL**

D567,562 S * 4/2008 Nash D6/601
7,707,668 B2 * 5/2010 Kloes et al. 5/636
D618,947 S * 7/2010 Kalatsky D6/601
D625,420 S * 10/2010 Sharps et al. D6/601
D642,278 S * 7/2011 Sharps et al. D6/601

(76) Inventor: **Timothy A. Freriks**, Tampa, FL (US)

* cited by examiner

(**) Term: **14 Years**

Primary Examiner — Robert Delehanty

(21) Appl. No.: **29/362,465**

(74) *Attorney, Agent, or Firm* — Larson & Larson, P.A.;
Frank Liebenow; Justin P. Miller

(22) Filed: **May 26, 2010**

(51) **LOC (9) Cl.** **23-02**

(52) **U.S. Cl.** **D23/308; D23/289; D6/601; 4/579**

(58) **Field of Classification Search** D23/289,
D23/308, 303; 4/579, 575.1, 659; D6/601;
D28/20; D24/204–205

(57) **CLAIM**

I claim the ornamental design for a head rest/cushion for fitting into a U-shaped depression of a salon shampoo bowl, as shown and described.

See application file for complete search history.

DESCRIPTION

(56) **References Cited**

FIG. 1 is a left side elevational view of my head rest/cushion for fitting into a U-shaped depression of a salon shampoo bowl showing my novel design;
FIG. 2 is a right side elevational view thereof;
FIG. 3 is a rear view thereof;
FIG. 4 is a front view thereof;
FIG. 5 is a top plan view thereof;
FIG. 6 is a bottom plan view thereof;
FIG. 7 is a front perspective view thereof; and,
FIG. 8 is a rear perspective view thereof.

U.S. PATENT DOCUMENTS

D266,549	S	*	10/1982	Lund, III	D6/601
4,385,408	A	*	5/1983	Rhodes	4/519
D272,860	S	*	2/1984	Swatzell	D28/20
D288,727	S	*	3/1987	Mandeville	D23/308
D296,482	S	*	6/1988	LaCour	D23/289
D339,021	S	*	9/1993	Henry	D6/601
5,476,105	A	*	12/1995	Toth	5/648
D392,495	S	*	3/1998	Baousson	D6/601
D400,386	S	*	11/1998	Keilhauer	D6/601
D410,810	S	*	6/1999	Lozier	D6/601

1 Claim, 4 Drawing Sheets

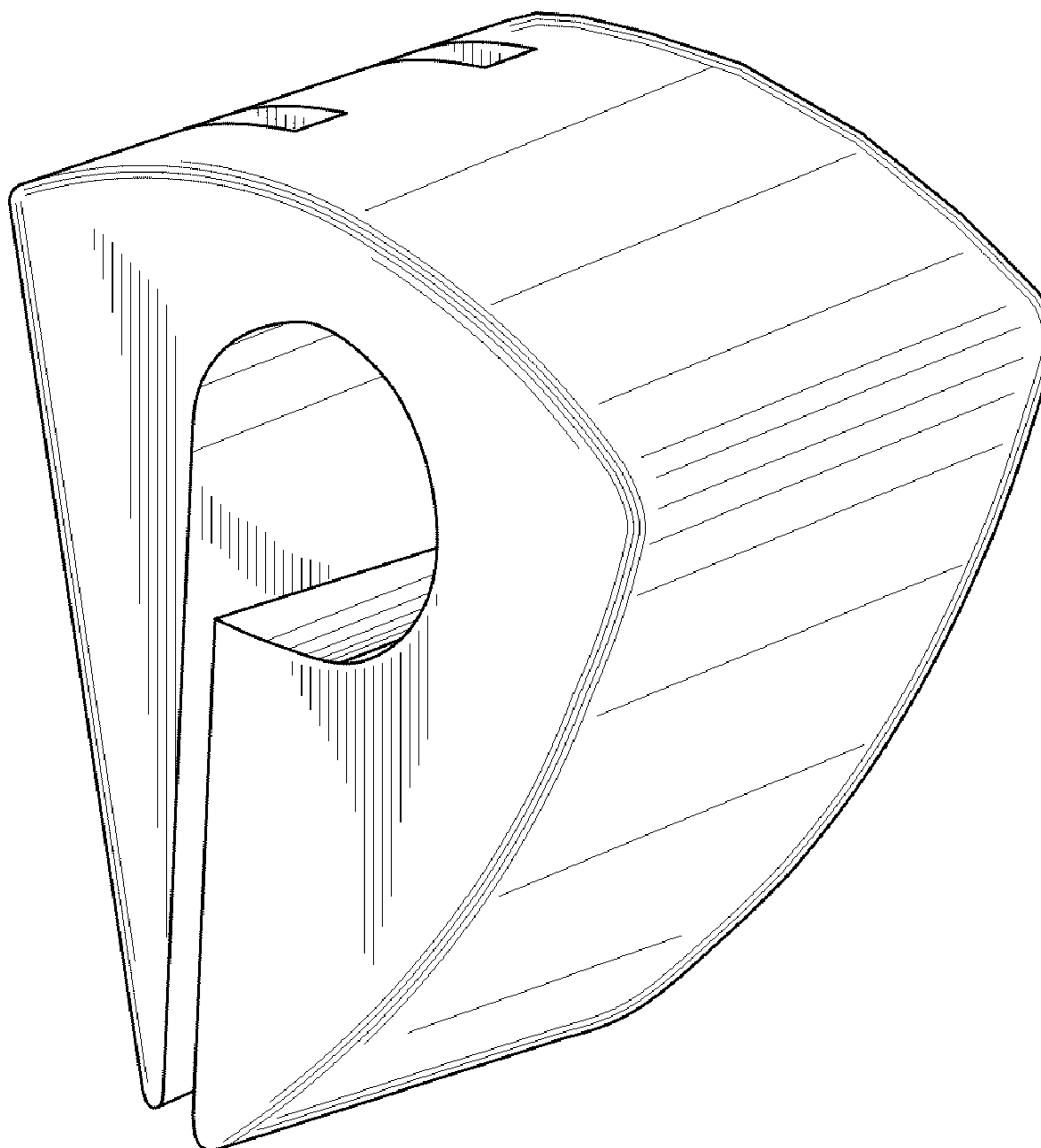


FIG. 1

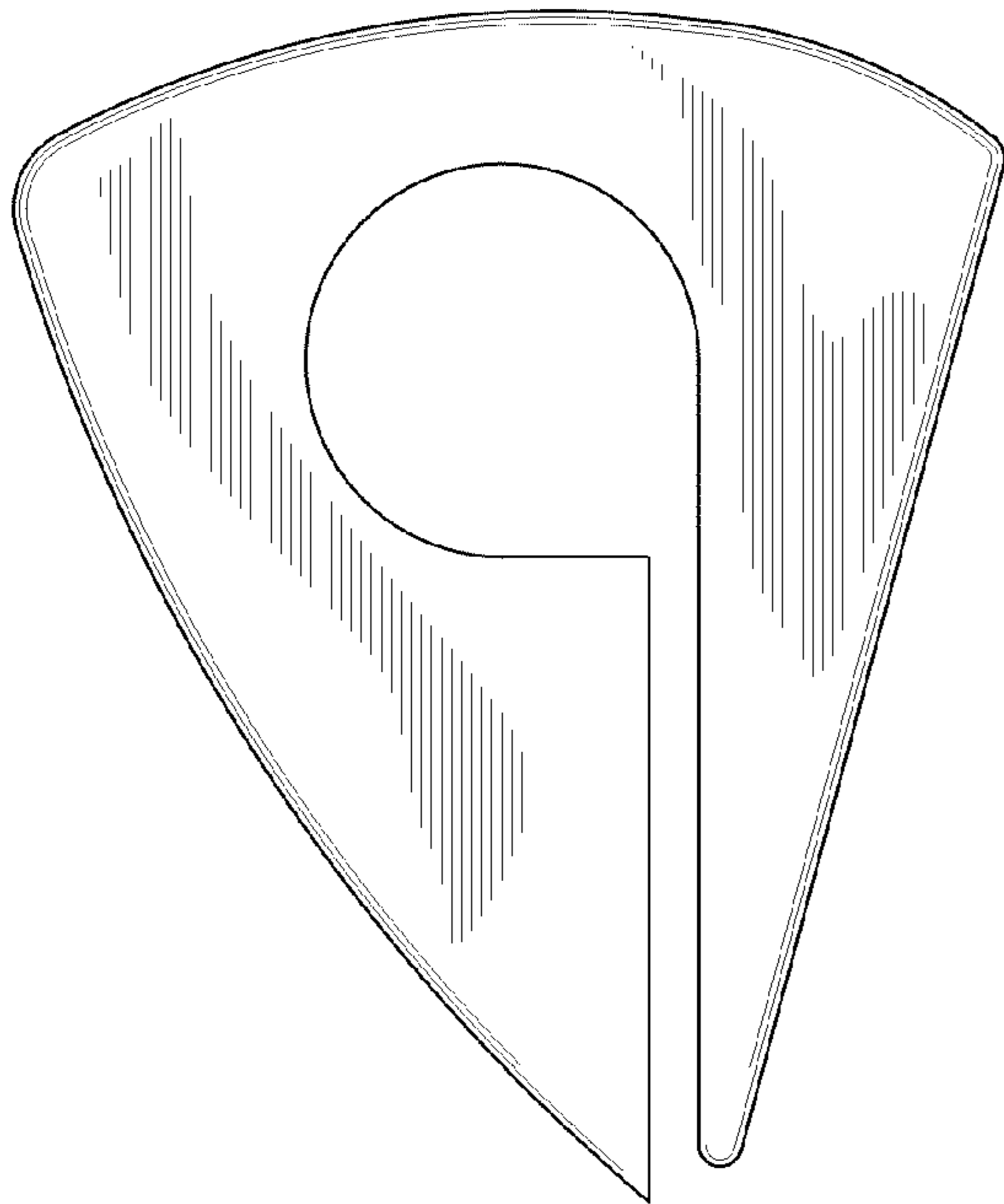


FIG. 2

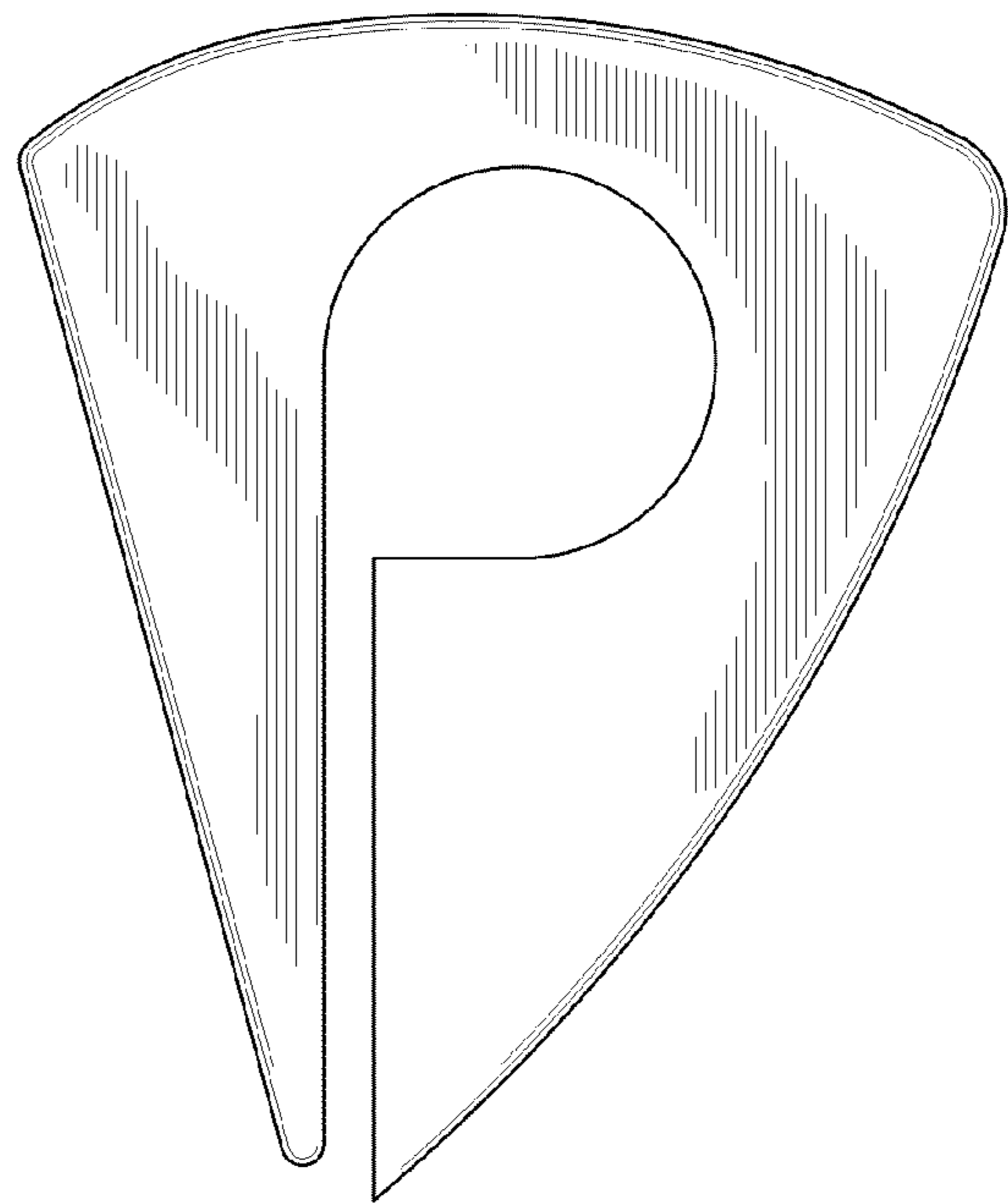


FIG. 3

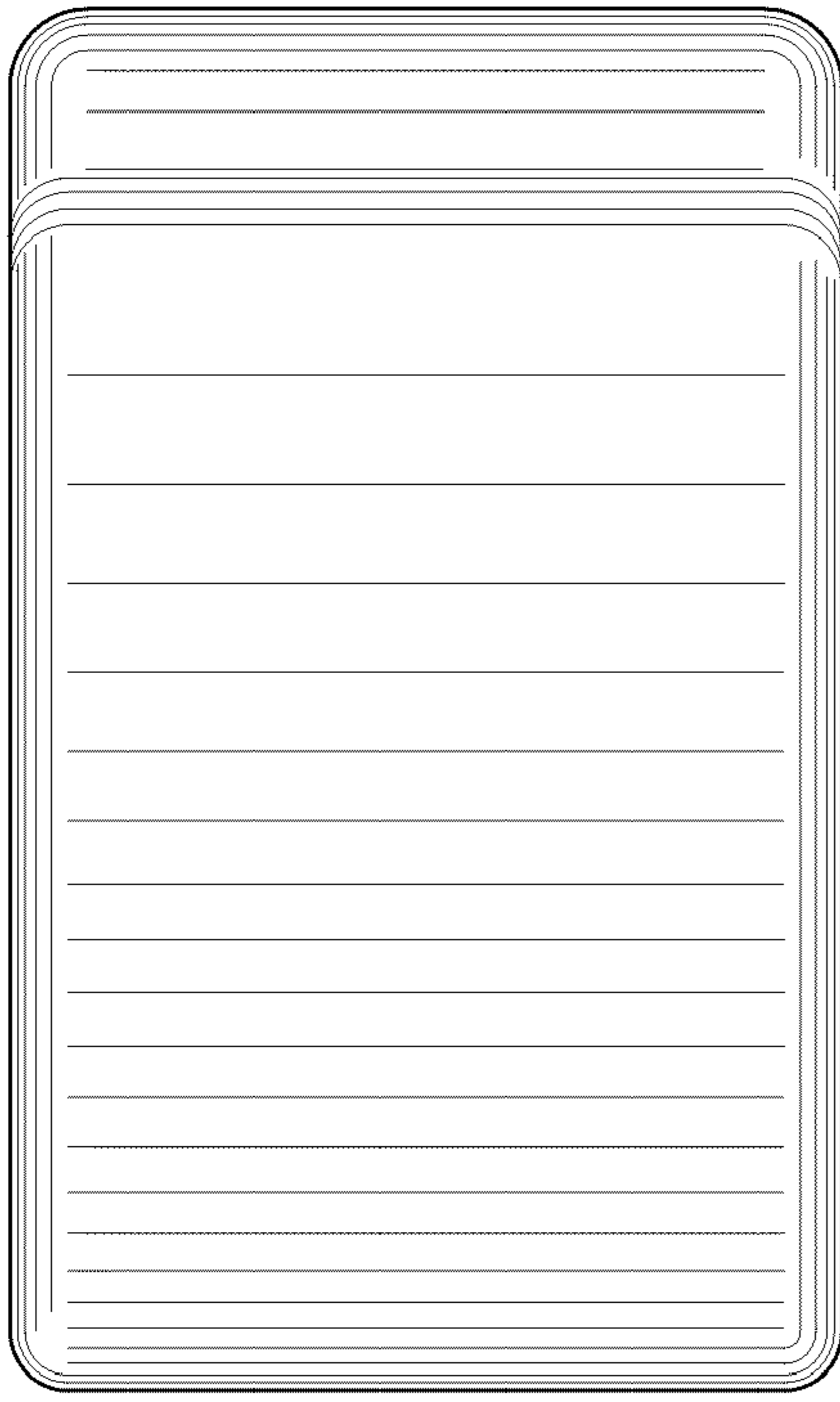


FIG. 4

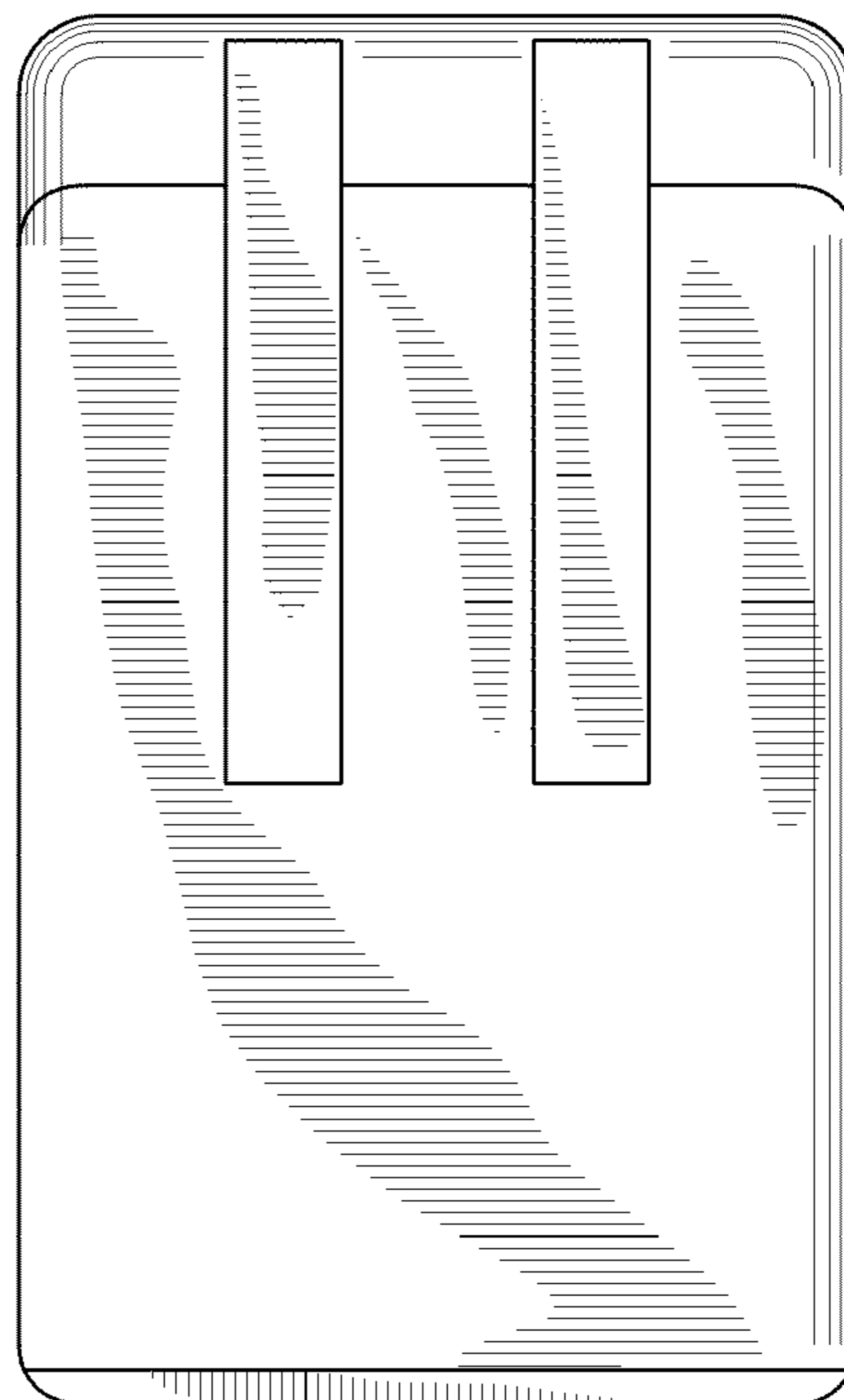


FIG. 5

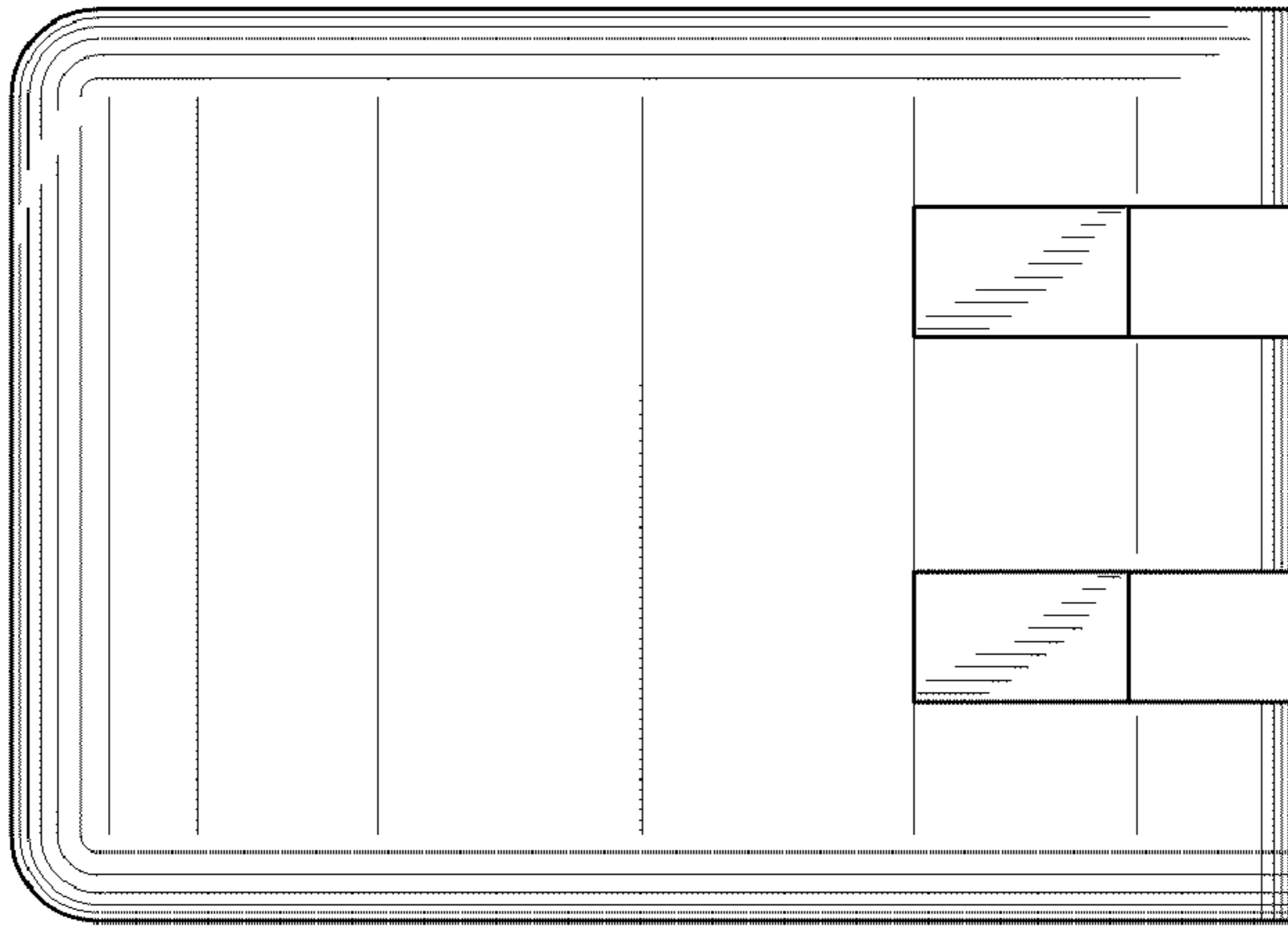


FIG. 6

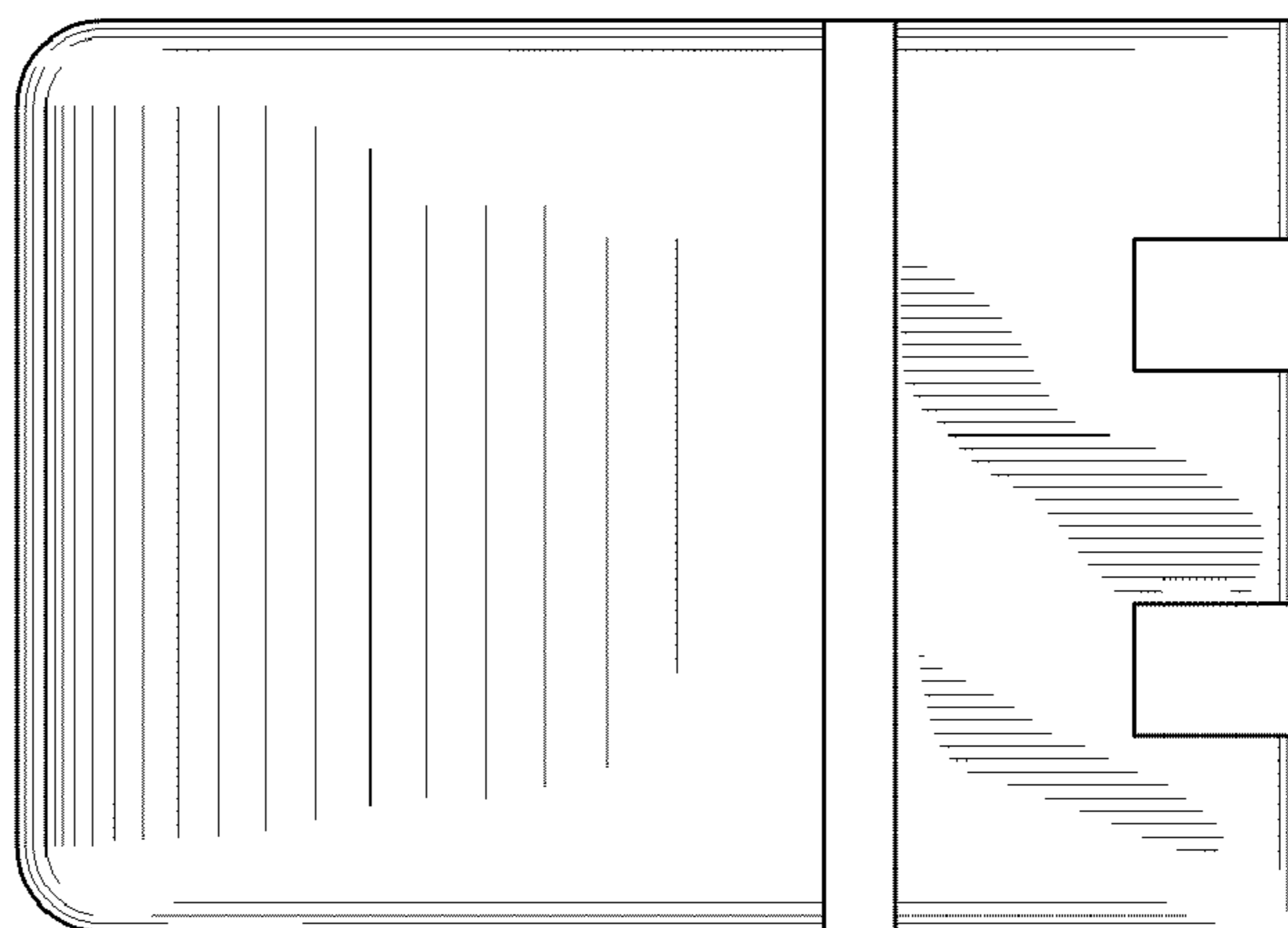


FIG. 7

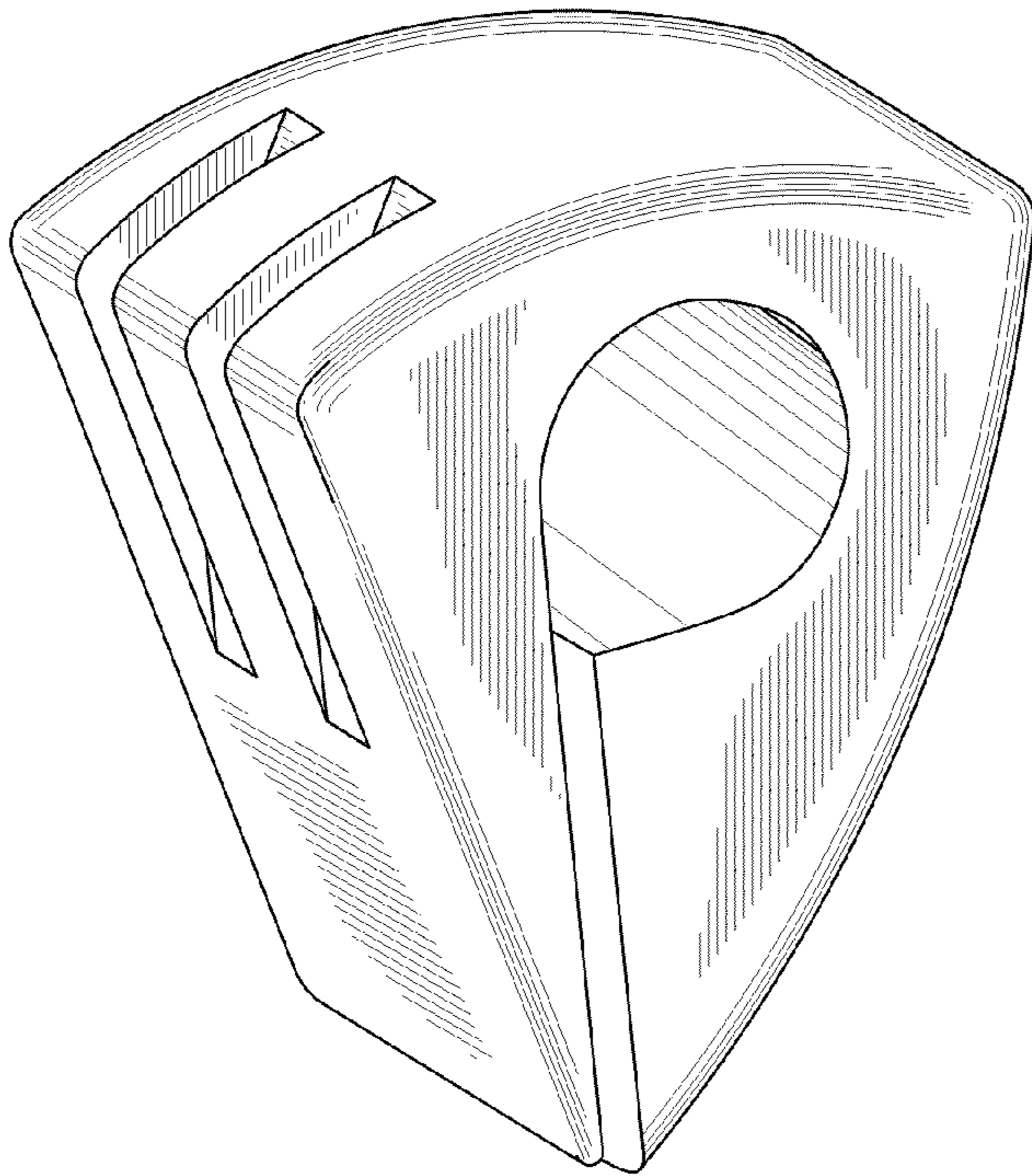


FIG. 8

