



US00D648009S

(12) **United States Design Patent**  
**Morishita**

(10) **Patent No.:** **US D648,009 S**

(45) **Date of Patent:** **\*\* Nov. 1, 2011**

(54) **PIPE FOR A FILTER**

(75) **Inventor:** **Noriyuki Morishita**, Tokyo (JP)

(73) **Assignee:** **Asahi Kasei Chemicals Corporation**,  
Tokyo (JP)

(\*\*) **Term:** **14 Years**

(21) **Appl. No.:** **29/384,384**

(22) **Filed:** **Jan. 31, 2011**

(30) **Foreign Application Priority Data**

Aug. 5, 2010 (JP) ..... D2010-019163

(51) **LOC (9) Cl.** ..... **23-01**

(52) **U.S. Cl.** ..... **D23/266**

(58) **Field of Classification Search** ..... D23/259-266;  
210/232, 323.2, 321.72, 321.78, 321.8, 321.88,  
210/321.89, 500.23

See application file for complete search history.

(56) **References Cited**

**U.S. PATENT DOCUMENTS**

D235,343	S	*	6/1975	Otto	.....	D23/262
D347,377	S	*	5/1994	Nakamura et al.	.....	D8/354
D488,545	S	*	4/2004	Takamatu	.....	D23/266
D498,825	S	*	11/2004	Fu	.....	D23/266
2008/0164203	A1	*	7/2008	Nakahara et al.	.....	210/483
2009/0314706	A1	*	12/2009	Kim et al.	.....	210/462
2010/0072124	A1	*	3/2010	Morikawa et al.	.....	210/321.79
2010/0096317	A1	*	4/2010	Morita	.....	210/321.84
2010/0155334	A1	*	6/2010	Taniguchi et al.	.....	210/650
2010/0186777	A1	*	7/2010	Nakahara et al.	.....	134/30
2010/0200481	A1	*	8/2010	Nakahara et al.	.....	210/151
2010/0237014	A1	*	9/2010	Pedersen et al.	.....	210/650
2010/0270227	A1	*	10/2010	Kang et al.	.....	210/236
2010/0282655	A1	*	11/2010	Matsuzaki et al.	.....	210/151
2011/0005987	A1	*	1/2011	Matsuzaki et al.	.....	210/232
2011/0062074	A1	*	3/2011	Ishibashi et al.	.....	210/321.87

**OTHER PUBLICATIONS**

U.S. Appl. No. 29/385,742 to Noriyuki Morishita, which was filed Feb. 18, 2011.

\* cited by examiner

*Primary Examiner* — T. Chase Nelson

*Assistant Examiner* — Eric Goodman

(74) *Attorney, Agent, or Firm* — Greenblum & Bernstein P.L.C.

(57) **CLAIM**

I claim the ornamental design for a pipe for a filter, as shown and described.

**DESCRIPTION**

FIG. 1 is a front elevational view of a pipe for a filter, showing my new design;

FIG. 2 is a rear elevational view thereof;

FIG. 3 is a top plan view thereof;

FIG. 4 is a bottom plan view thereof;

FIG. 5 is right side elevational view thereof;

FIG. 6 is a left side elevational view thereof;

FIG. 7 is a top perspective view thereof;

FIG. 8 is a bottom perspective view thereof;

FIG. 9 is a sectional view taken along line 9-9 in FIG. 1;

FIG. 10 is a sectional view taken along line 10-10 in FIG. 3;

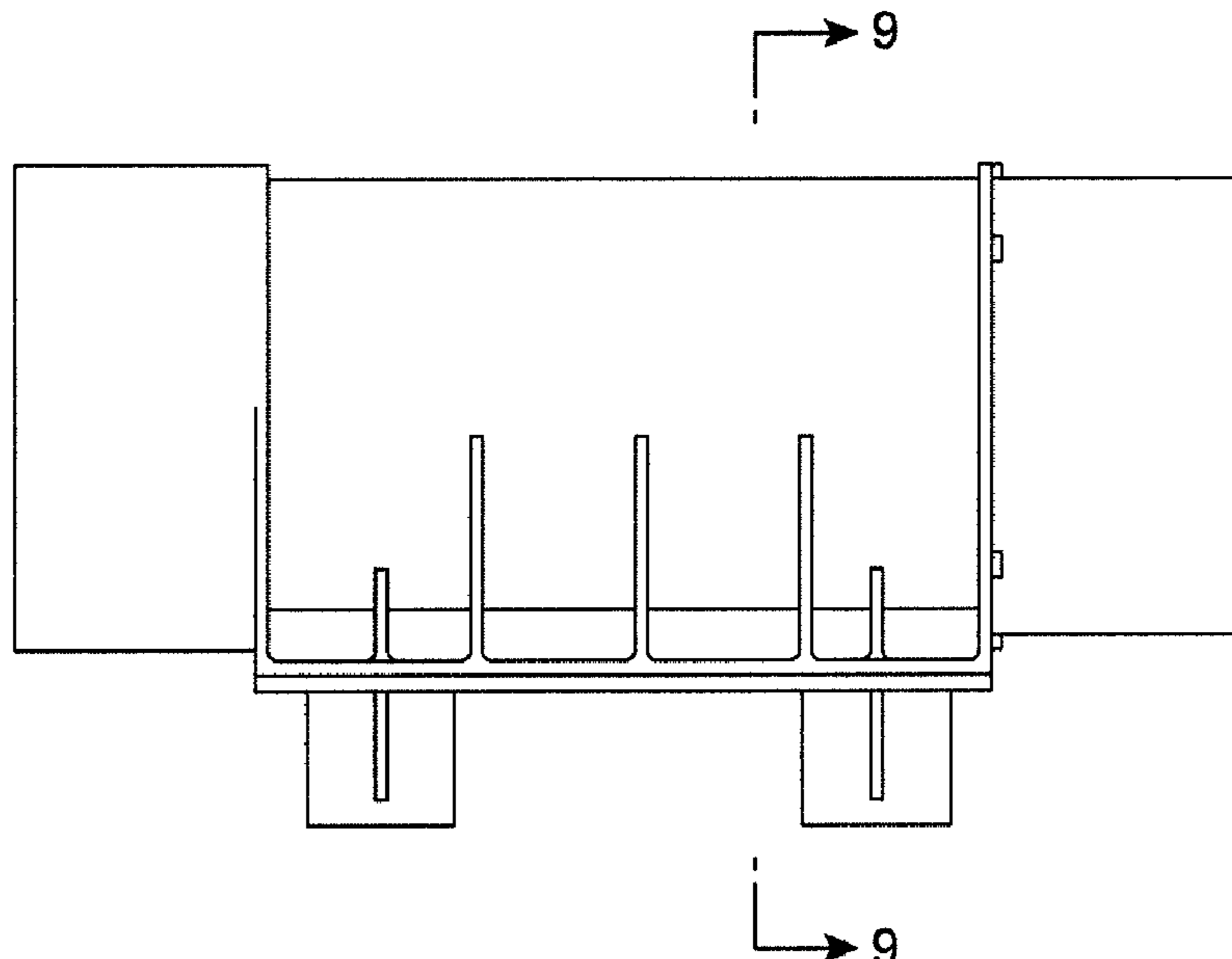
FIG. 11 is a sectional view taken along line 11-11 in FIG. 3; and,

FIG. 12 is a perspective view showing the pipe for a filter of my new design in use.

The perspective view FIG. 12 shows the pipe for a filter of my new design in an environment in which the pipe for a filter may be used, and is for illustrative purposes only.

The broken line showing is included for the purpose of illustrating environment and forms no part of the claimed design.

**1 Claim, 12 Drawing Sheets**



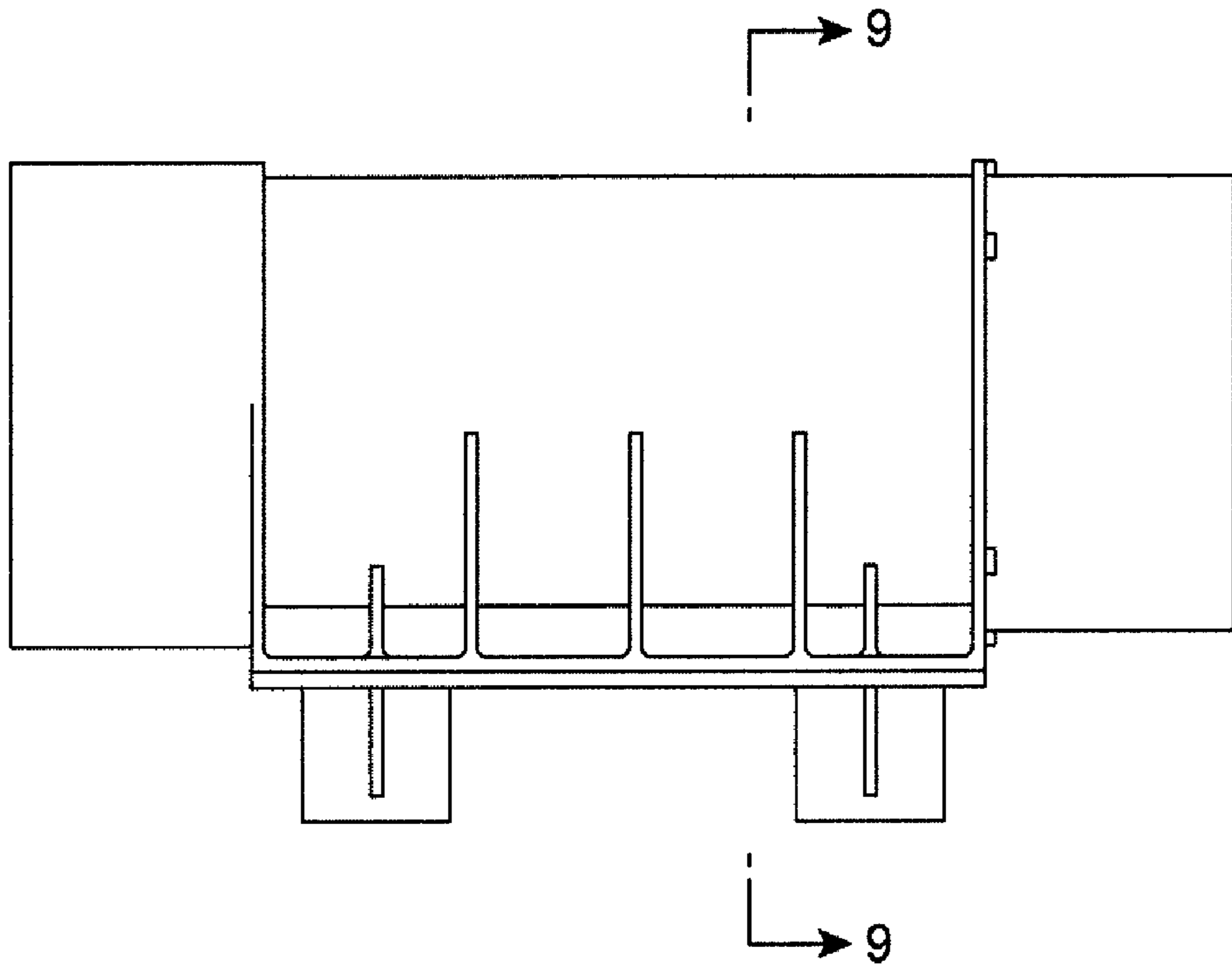


FIG. 1

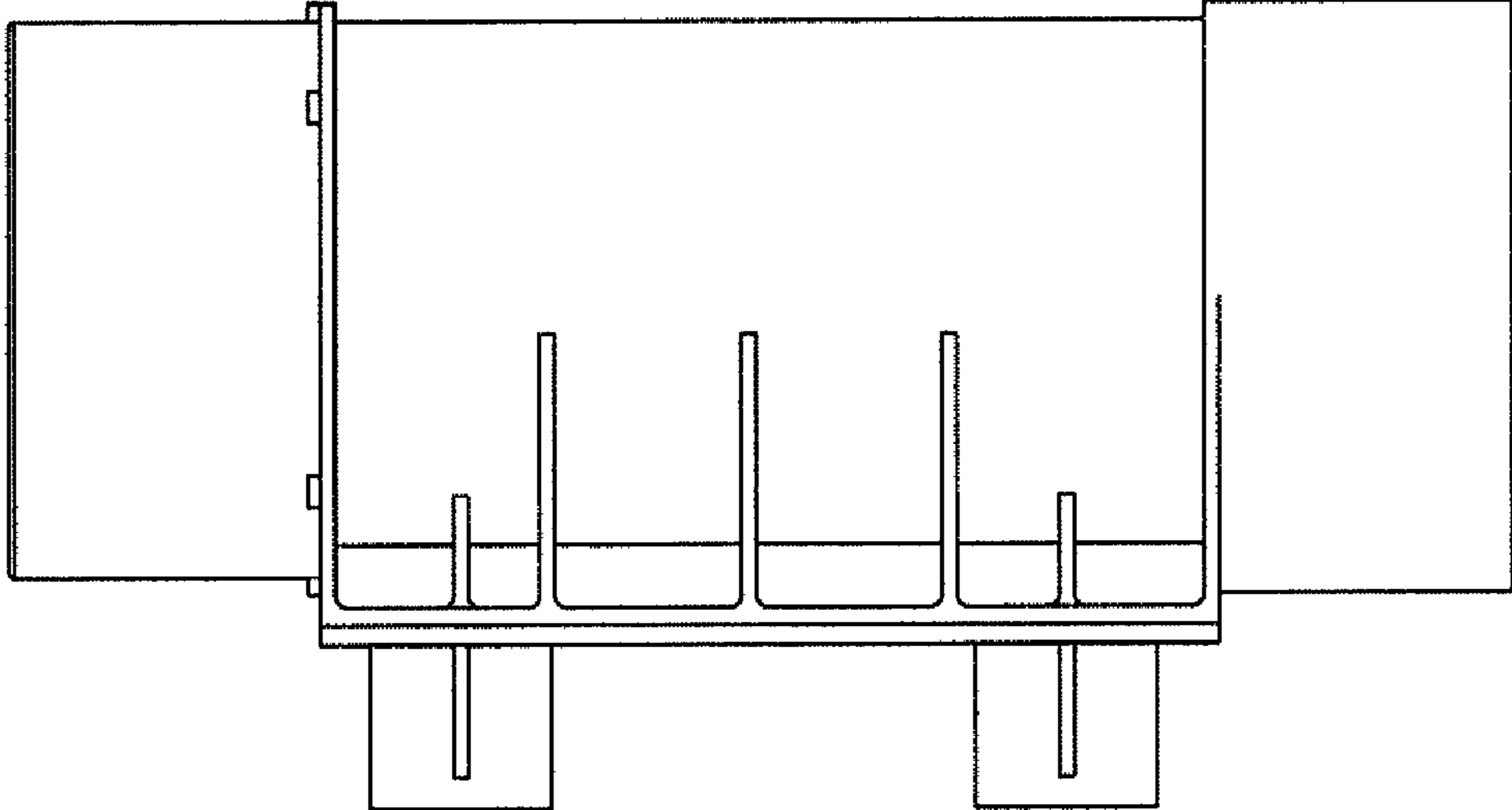


FIG. 2

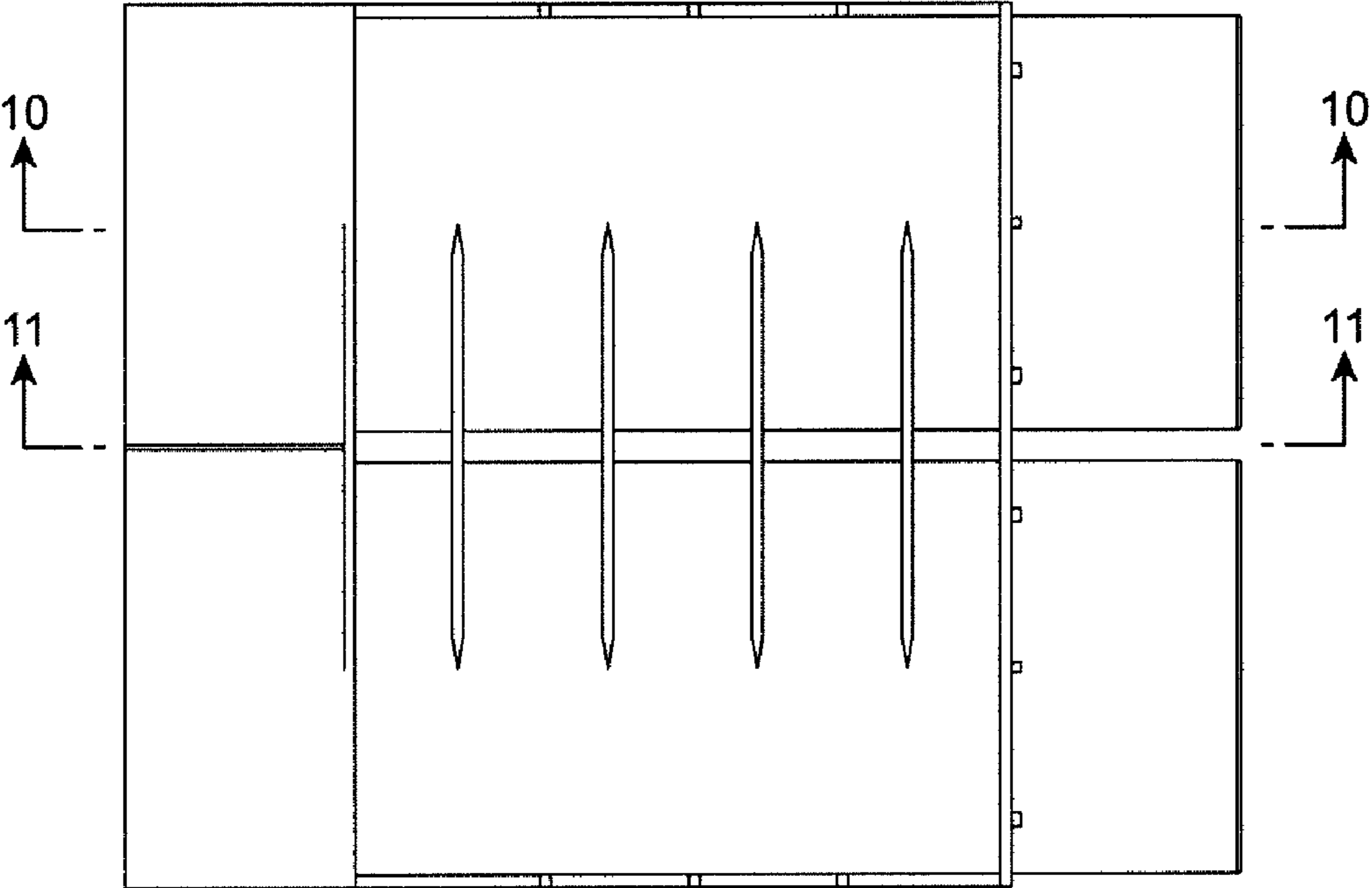


FIG. 3

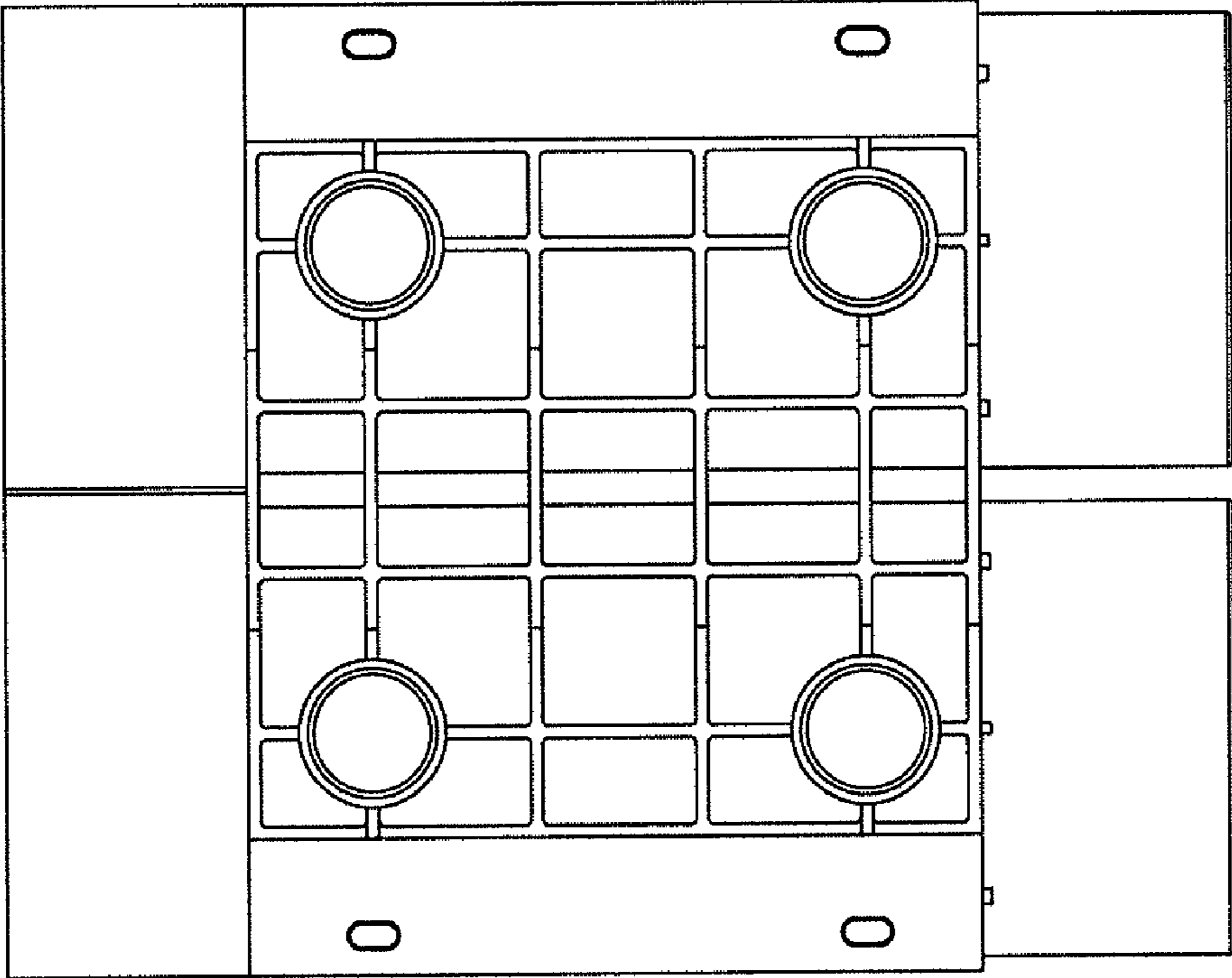


FIG. 4

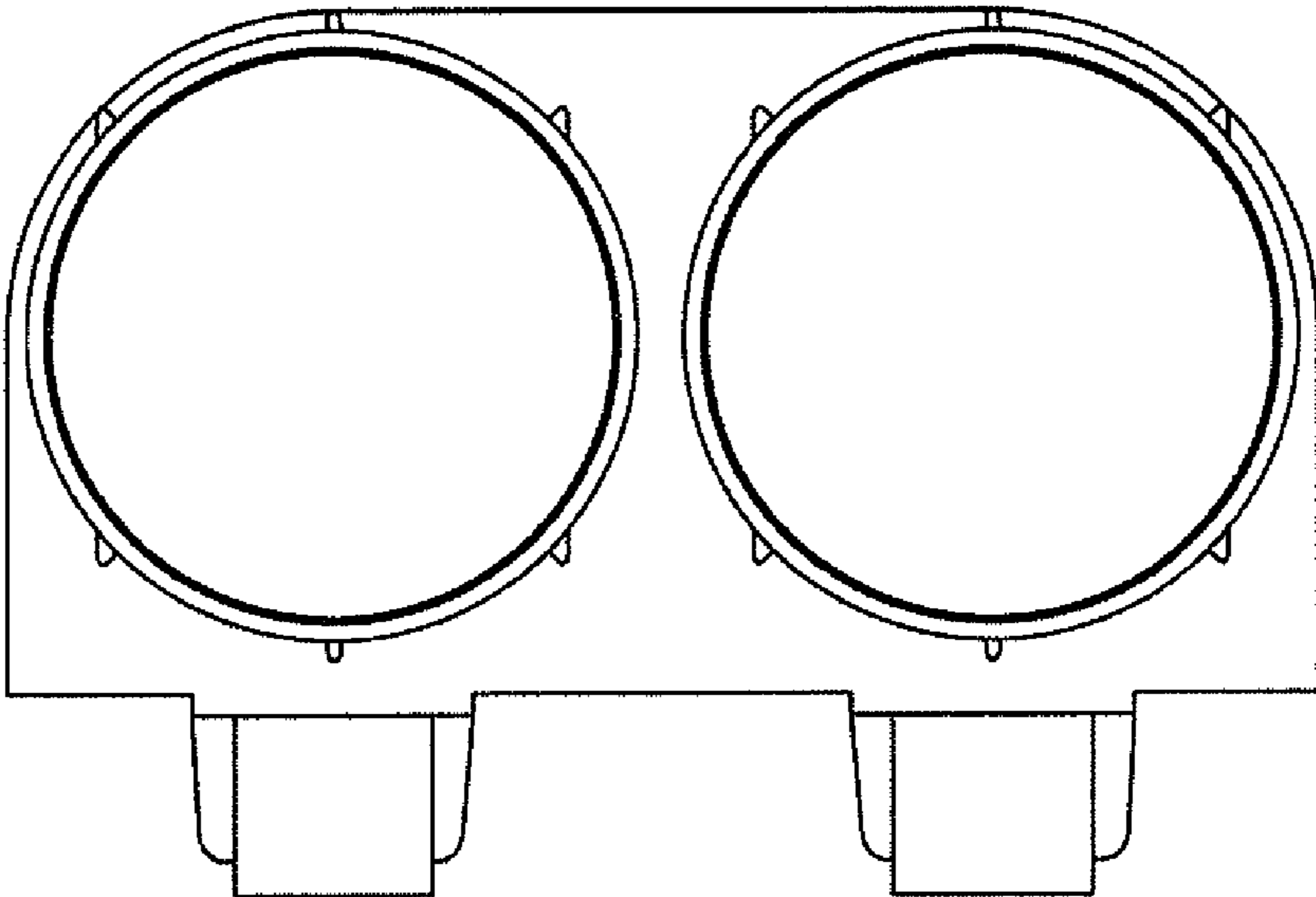


FIG. 5

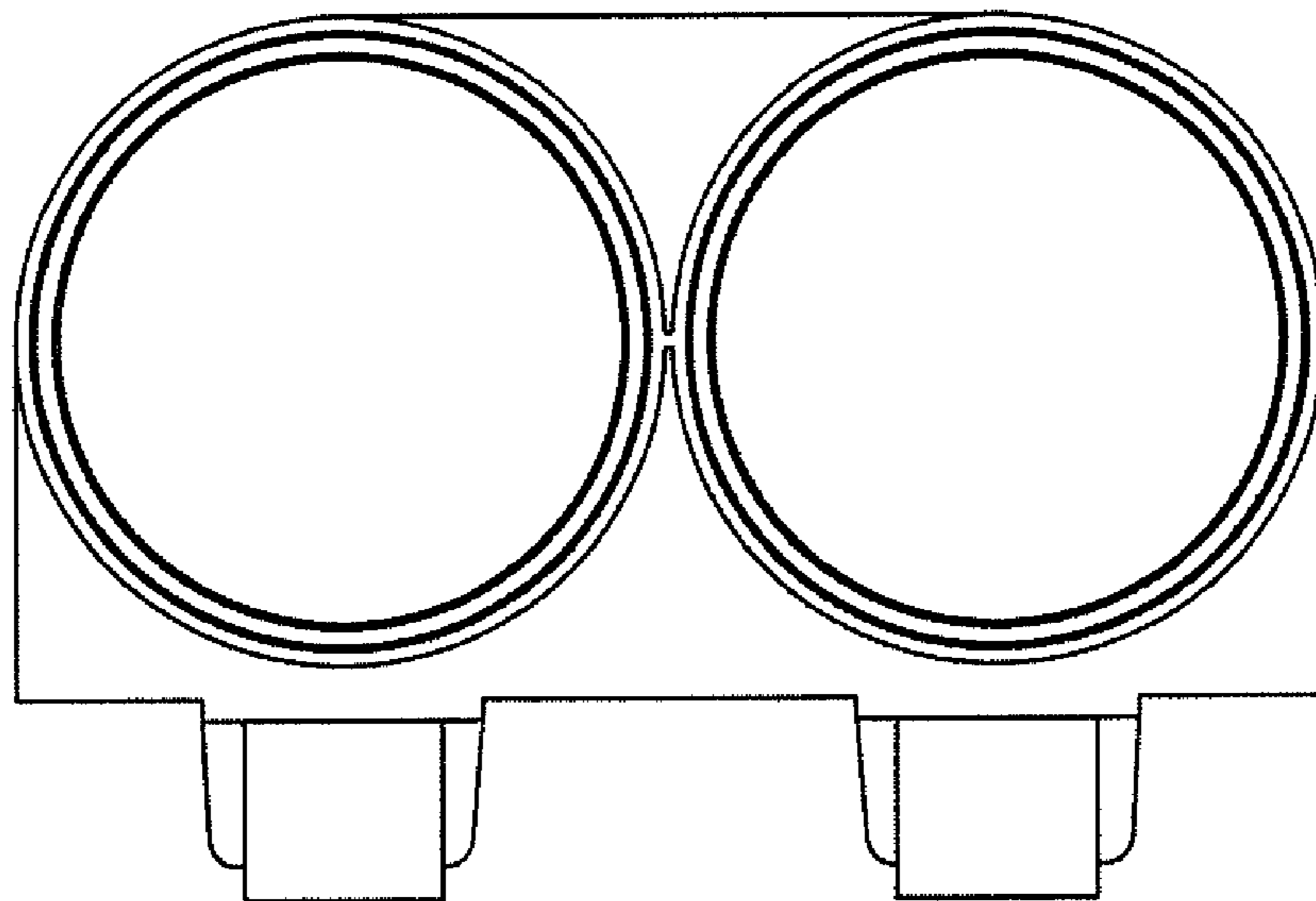


FIG. 6

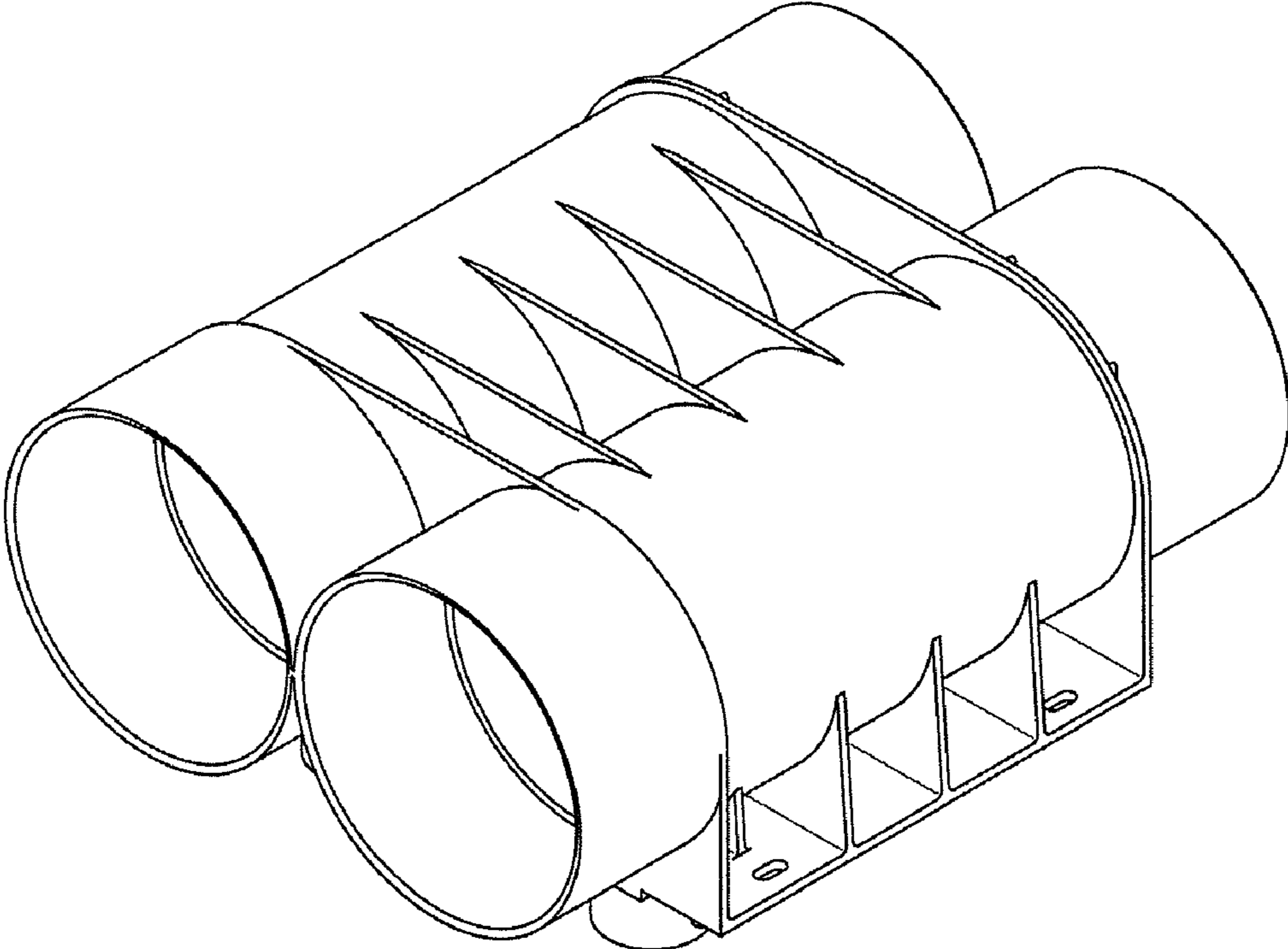


FIG. 7



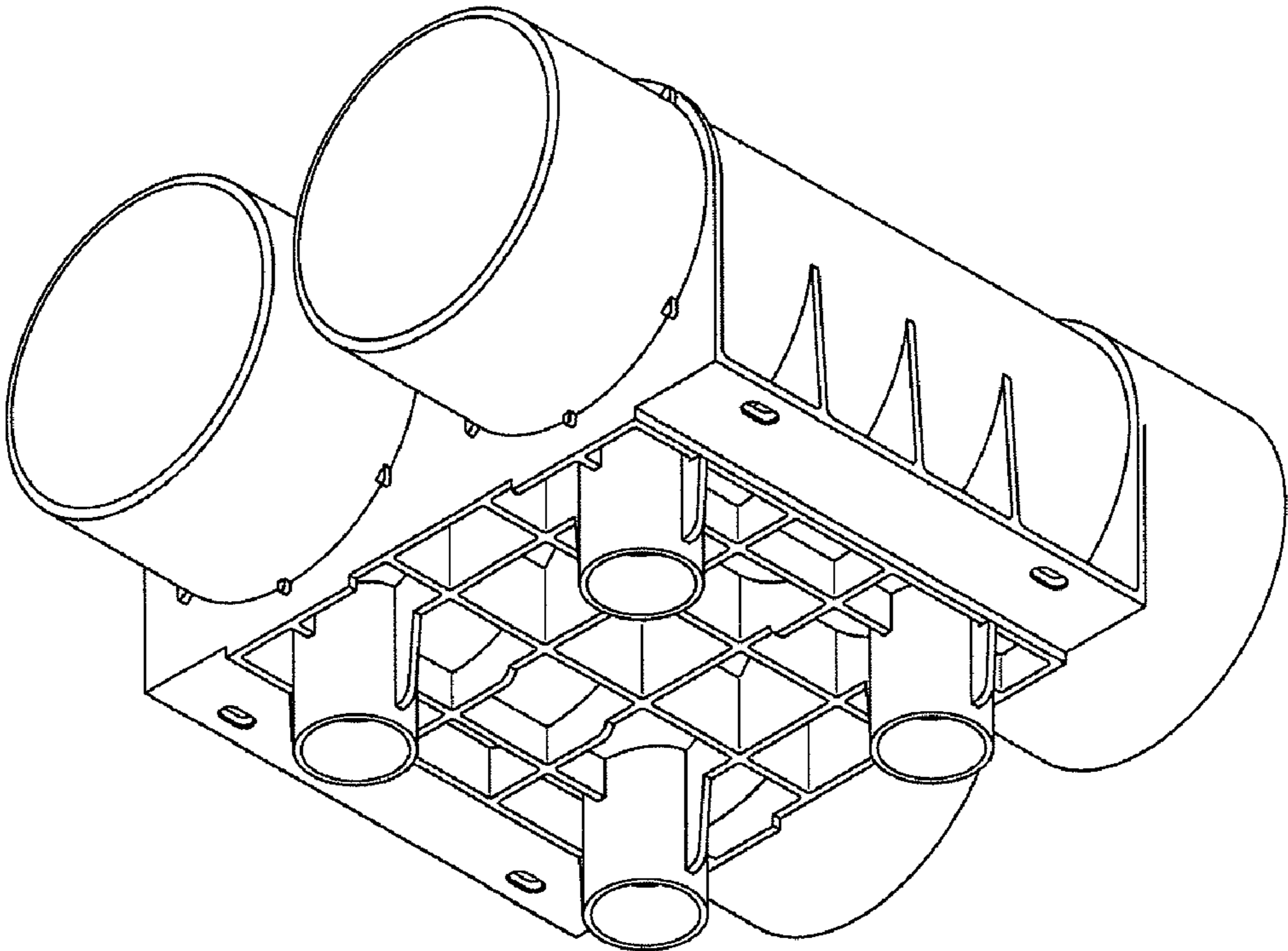


FIG. 8

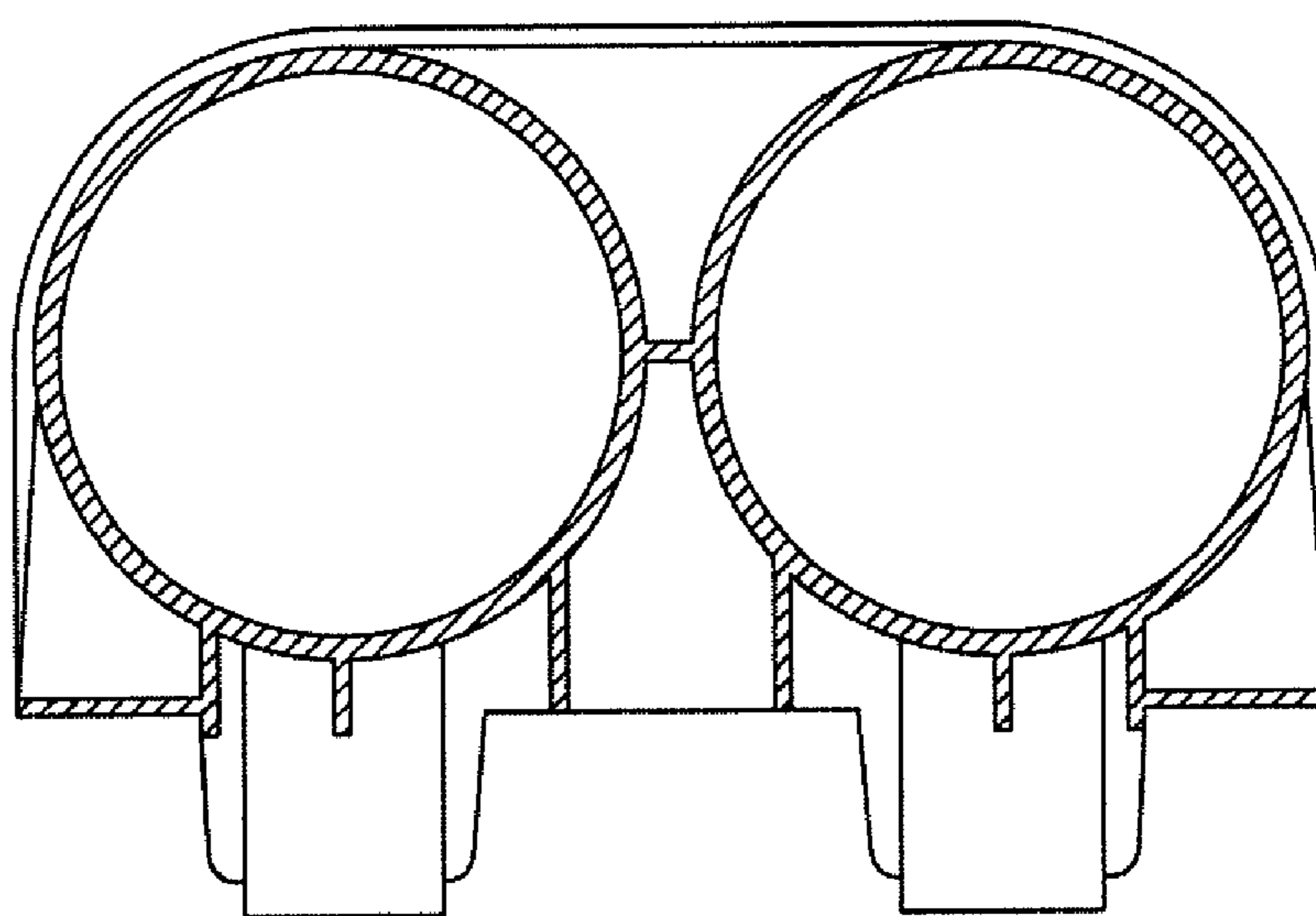


FIG. 9

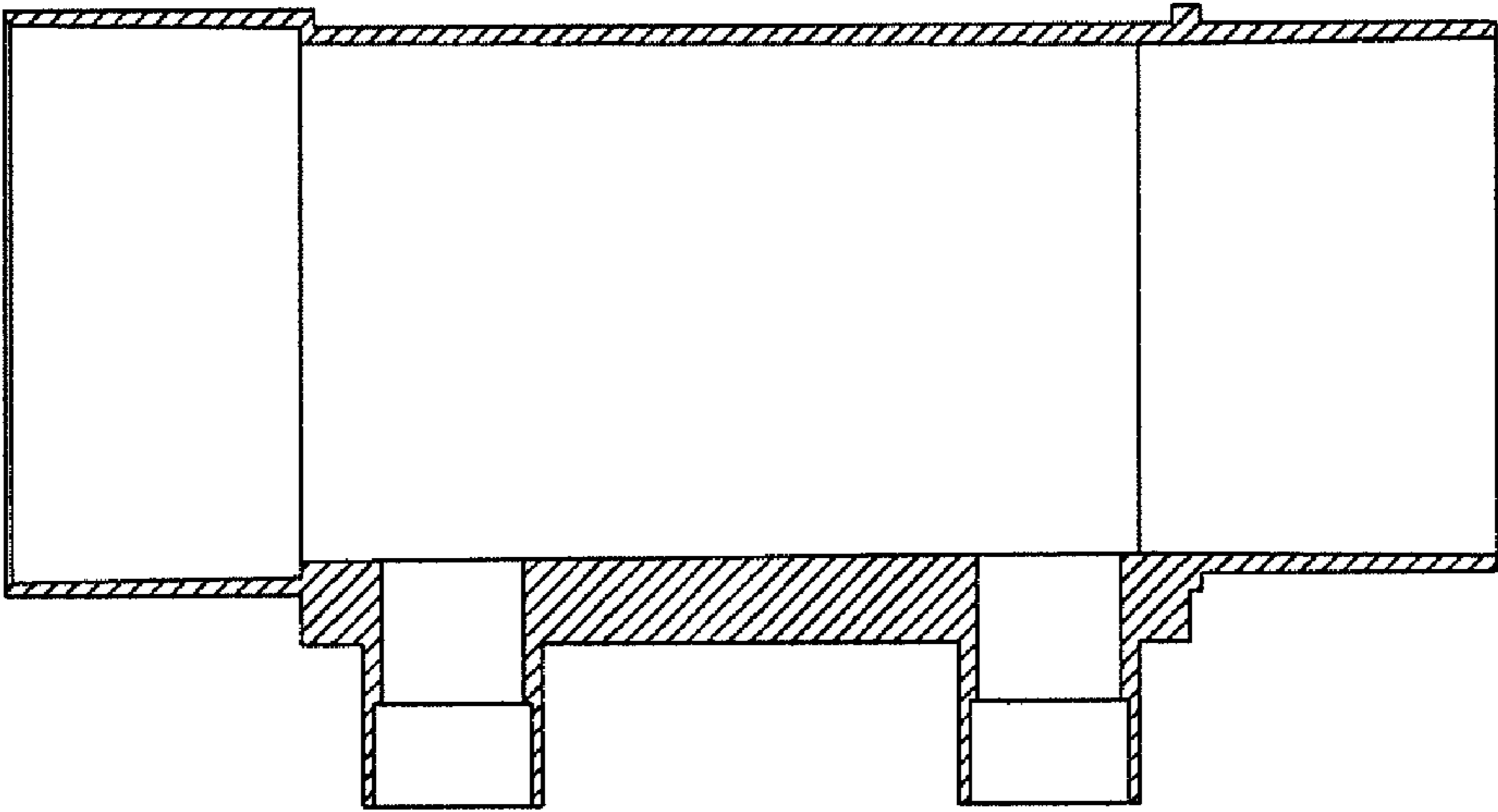


FIG. 10

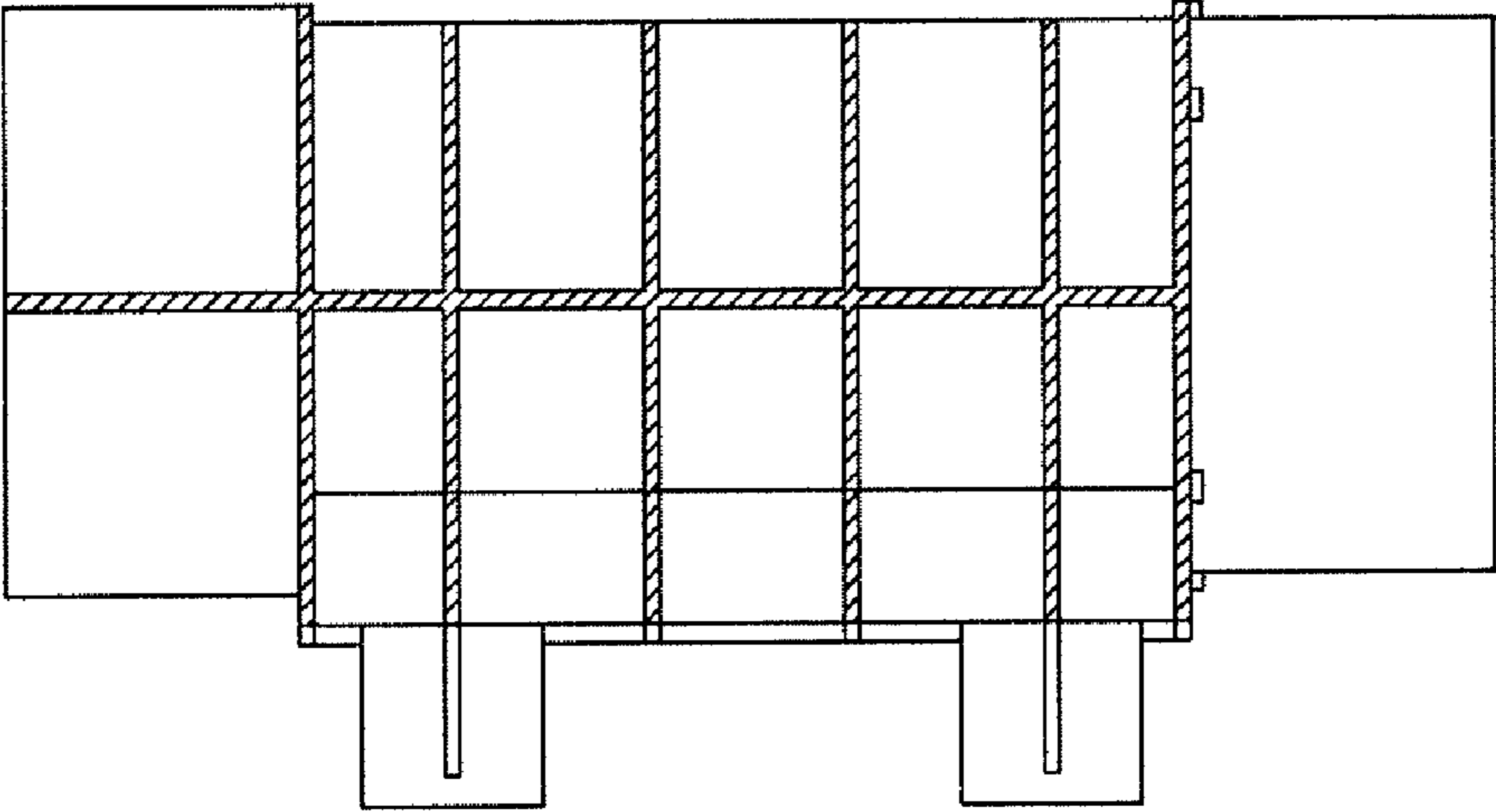


FIG. 11

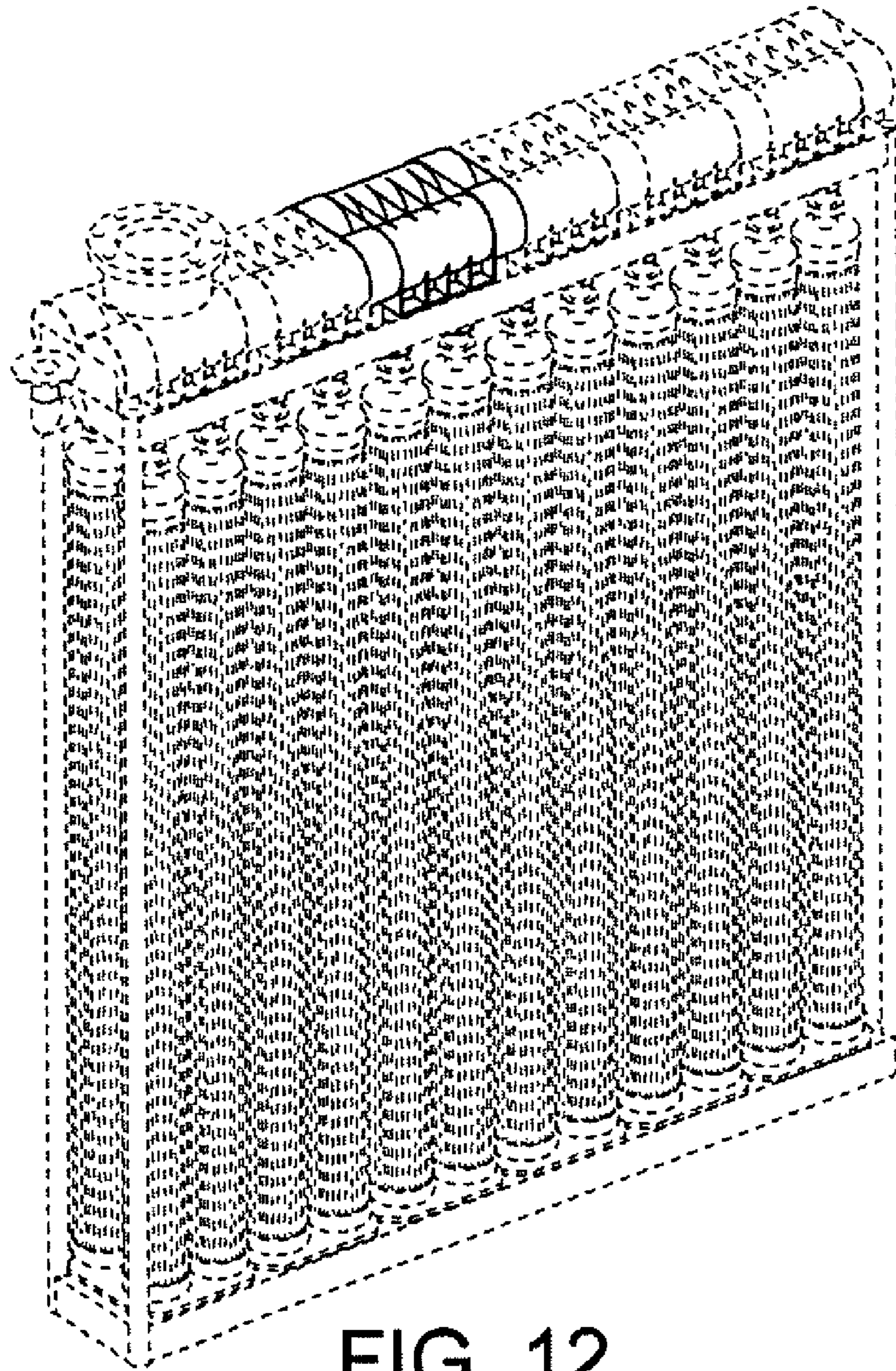


FIG. 12