



US00D648008S

(12) **United States Design Patent**
Percoco et al.

(10) **Patent No.:** **US D648,008 S**

(45) **Date of Patent:** **** Nov. 1, 2011**

(54) **COUPLING**

(75) Inventors: **August Percoco**, Easton, PA (US);
Samuel Gregory Stednitz, St. Clair, PA
(US)

(73) Assignee: **Strahman Valves, Inc.**, Bethlehem, PA
(US)

(**) Term: **14 Years**

(21) Appl. No.: **29/361,302**

(22) Filed: **May 10, 2010**

(51) **LOC (9) Cl.** **23-02**

(52) **U.S. Cl.** **D23/262**

(58) **Field of Classification Search** D23/259-262;
285/197, 180, 285.1-296.1, 18, 34-35, 275,
285/277; 251/149.1, 150

See application file for complete search history.

(56) **References Cited**

U.S. PATENT DOCUMENTS

3,209,786	A *	10/1965	Daniels	138/43
D213,957	S *	4/1969	Myerly	D23/262
4,863,202	A *	9/1989	Oldford	285/321
D313,067	S *	12/1990	Kotake et al.	D23/262
D333,511	S *	2/1993	Mikiya et al.	D23/262
5,538,296	A *	7/1996	Horton	285/276

6,705,647	B1	3/2004	Palmer	
6,746,056	B2	6/2004	Palmer	
D639,398	S *	6/2011	Wilhelm D23/262
D642,244	S *	7/2011	Wilhelm D23/262
2008/0284165	A1 *	11/2008	Chiang 285/261
2010/0140928	A1 *	6/2010	Becker et al. 285/321

* cited by examiner

Primary Examiner — T. Chase Nelson

Assistant Examiner — Eric Goodman

(74) *Attorney, Agent, or Firm* — Graham Curtin, PA

(57) **CLAIM**

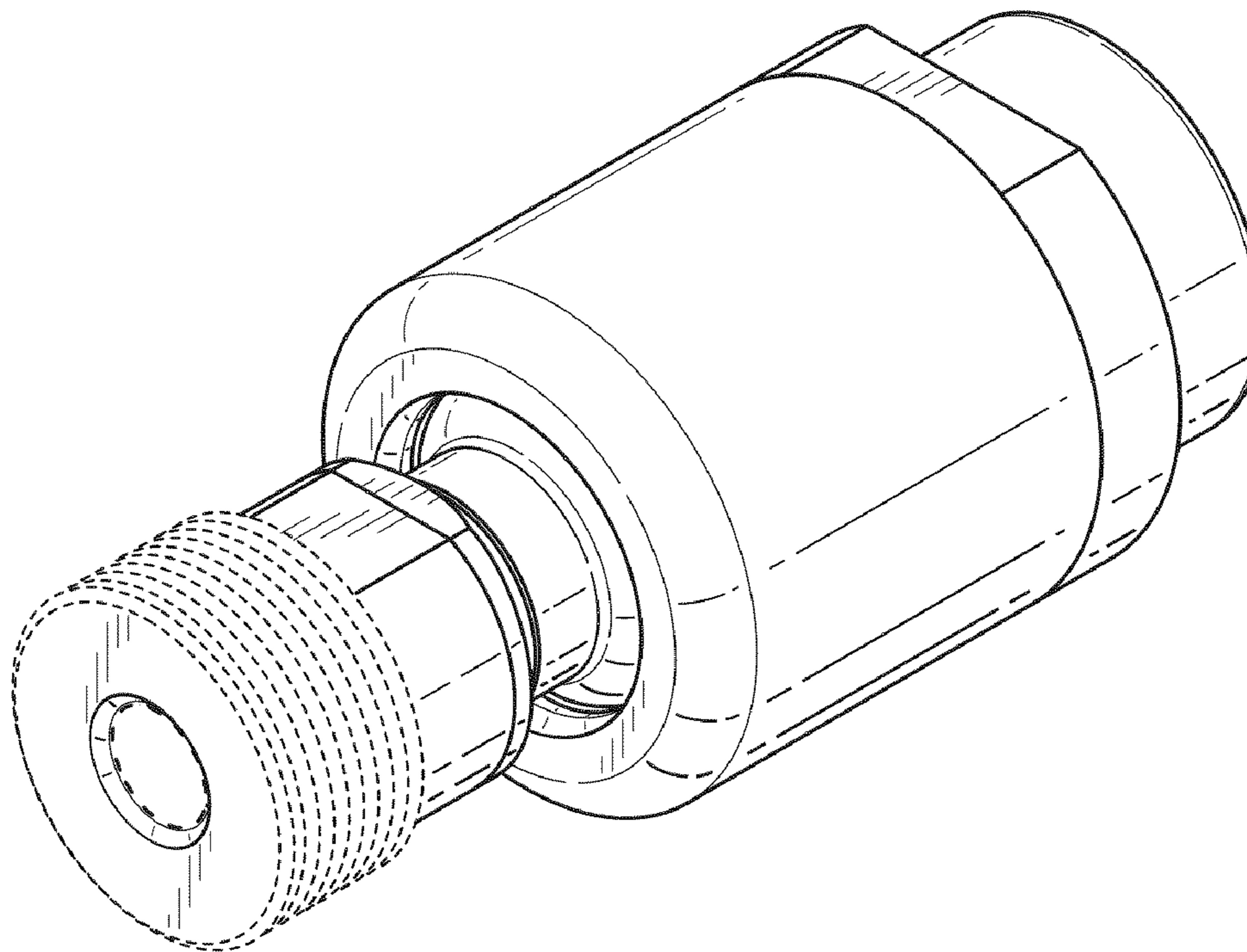
We claim the ornamental design for a coupling, as shown and described.

DESCRIPTION

FIG. 1 is a front perspective view of one embodiment of a coupling showing our new design;
FIG. 2 is a rear perspective view thereof;
FIG. 3 is a top view thereof, the bottom view being identical;
FIG. 4 is a left side elevation thereof, the right side elevation being identical;
FIG. 5 is a front elevation thereof; and,
FIG. 6 is a rear elevation thereof.

The broken lines shown in the drawings form no part of the claimed design.

1 Claim, 2 Drawing Sheets



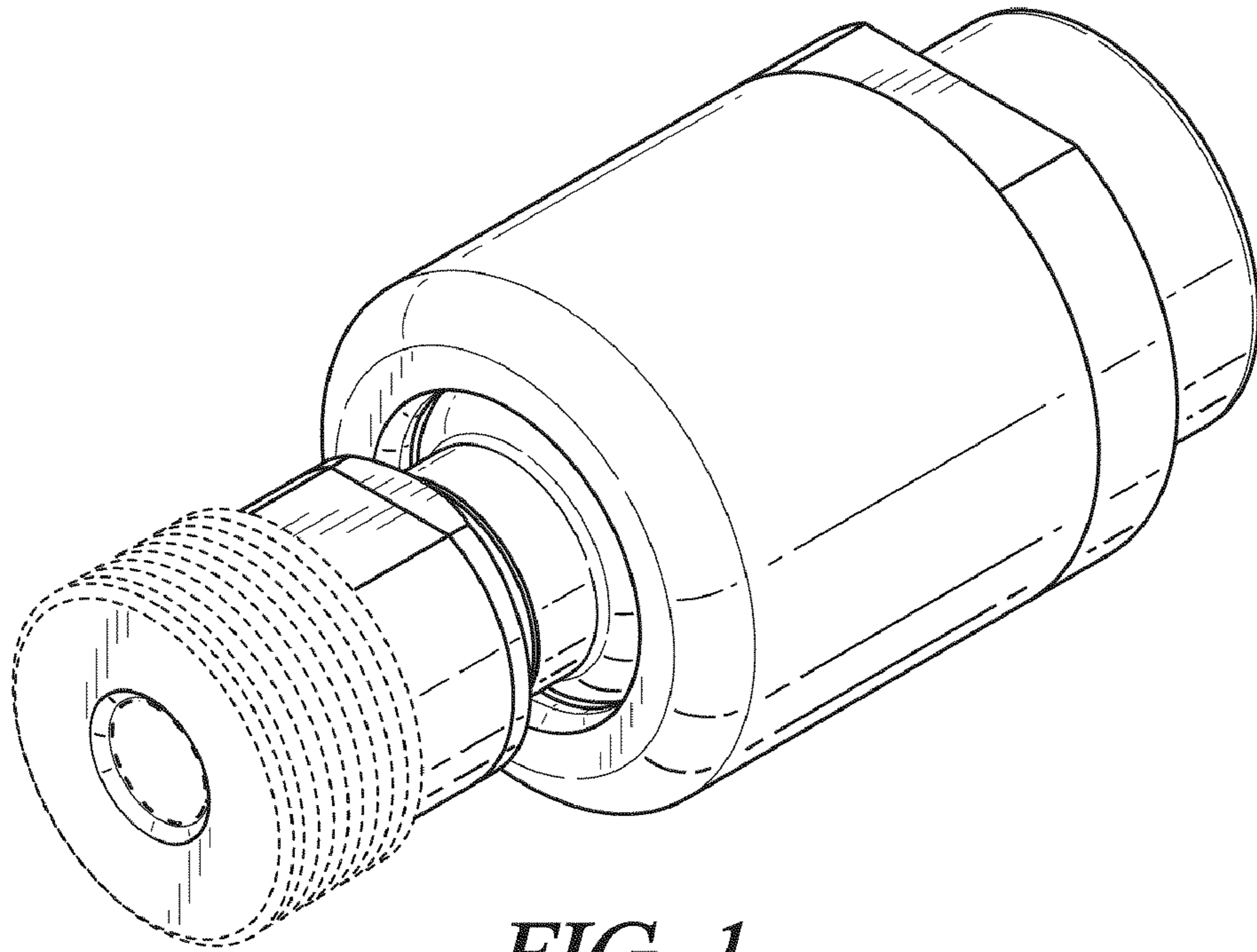


FIG. 1

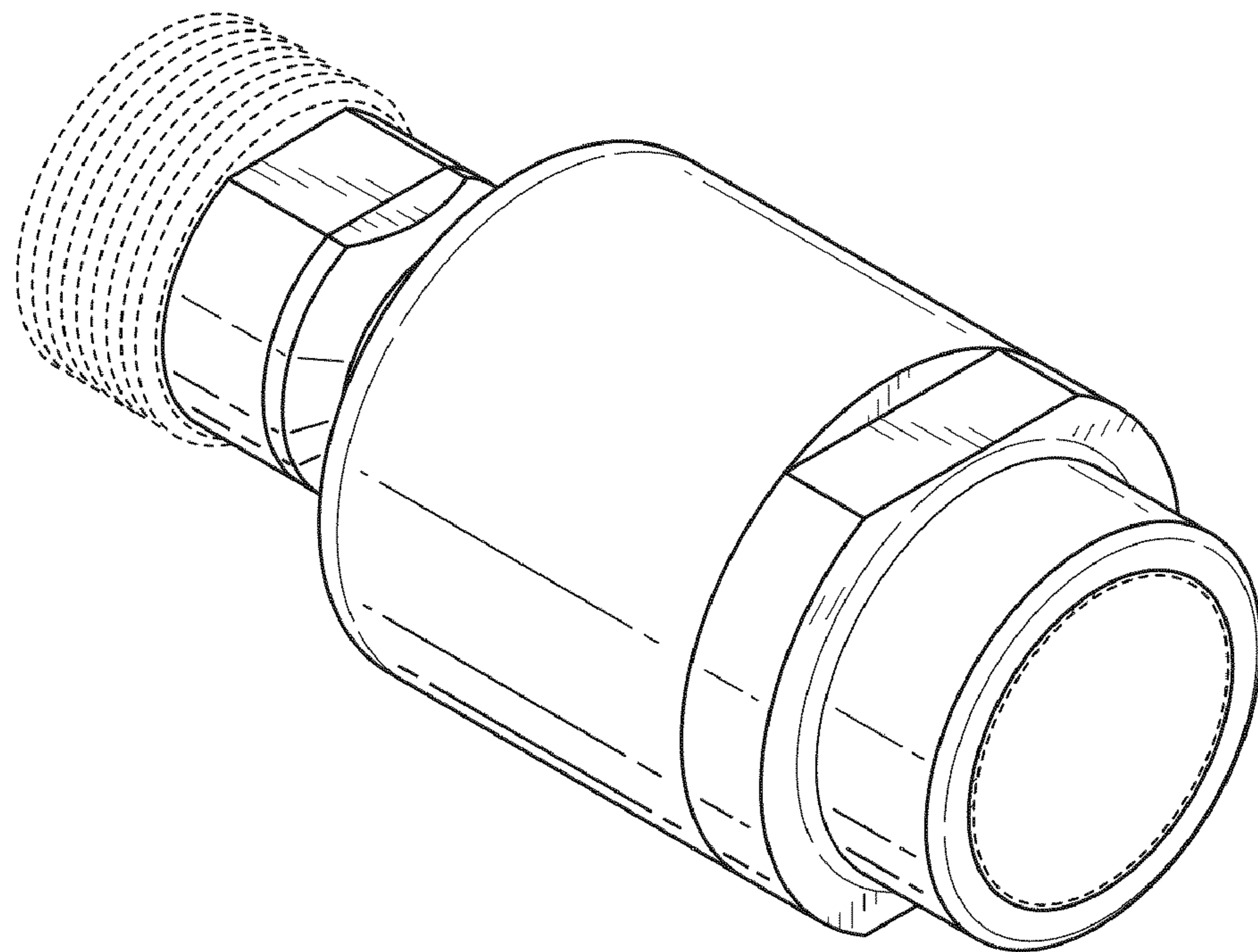


FIG. 2

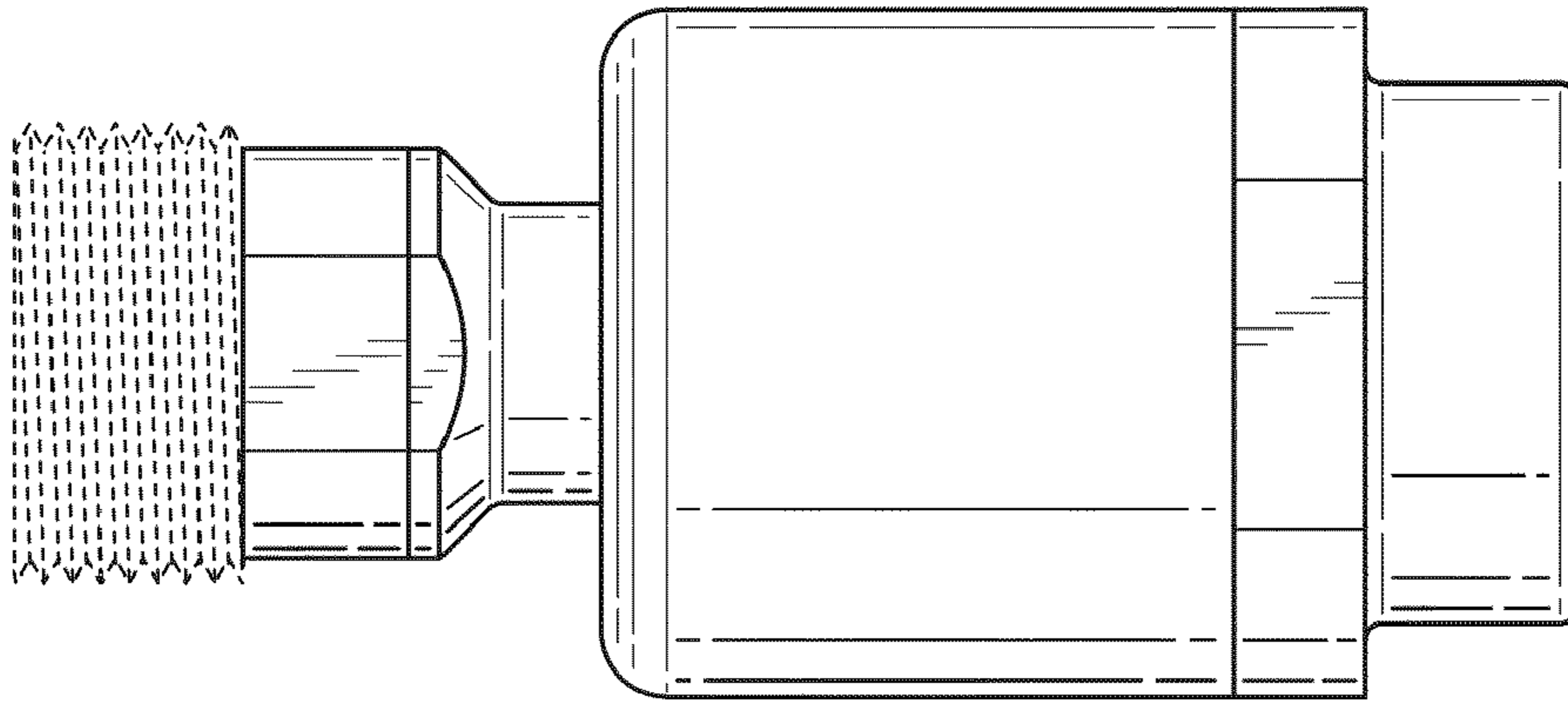


FIG. 3

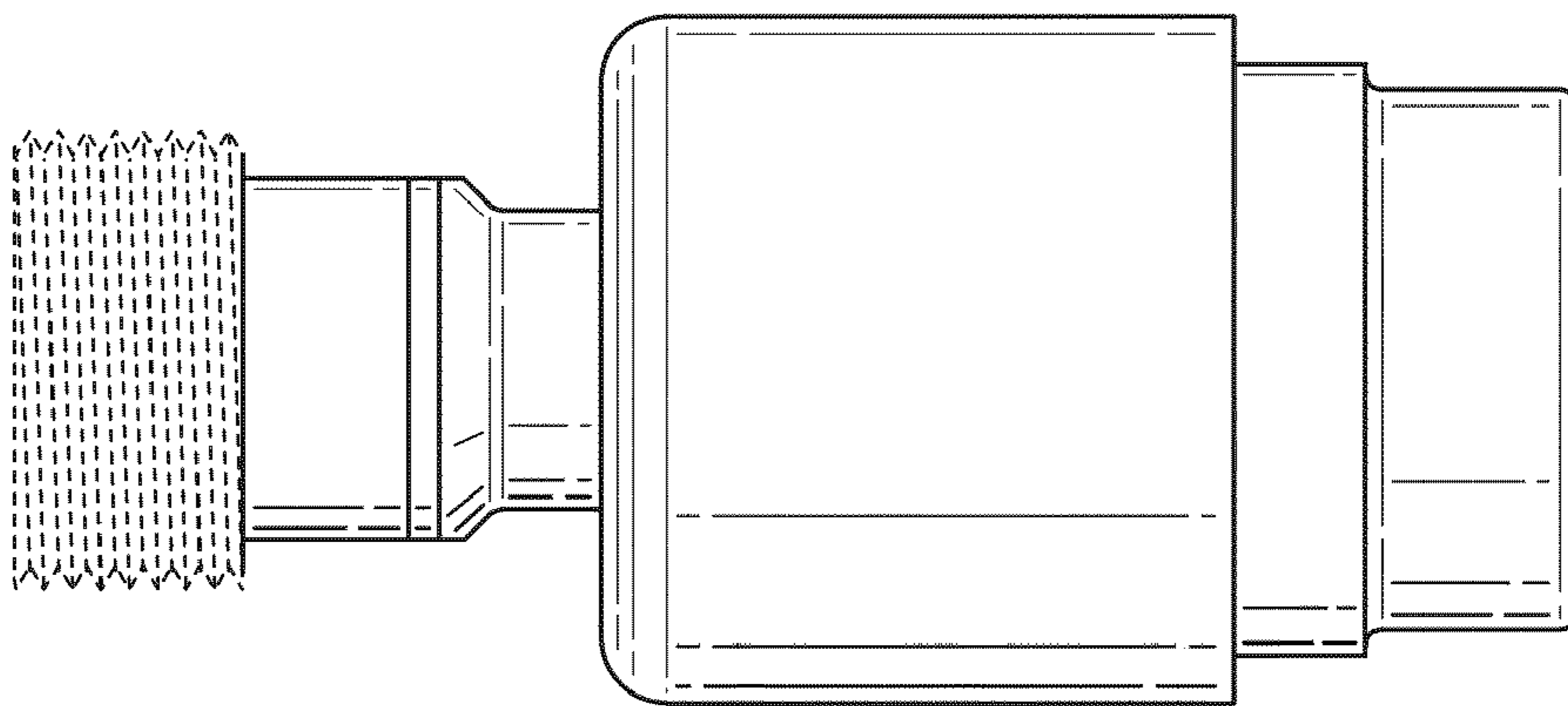


FIG. 4

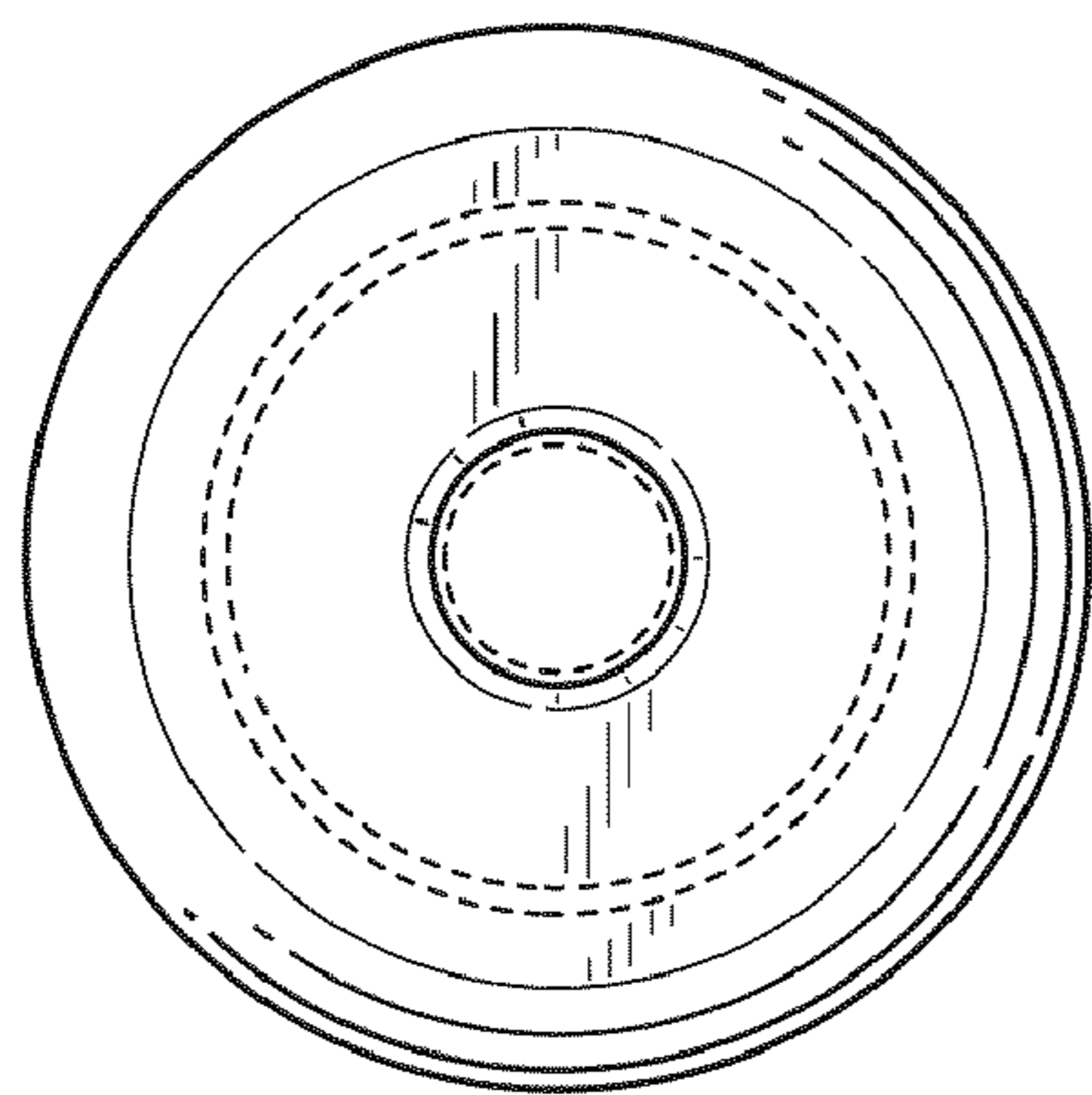


FIG. 5

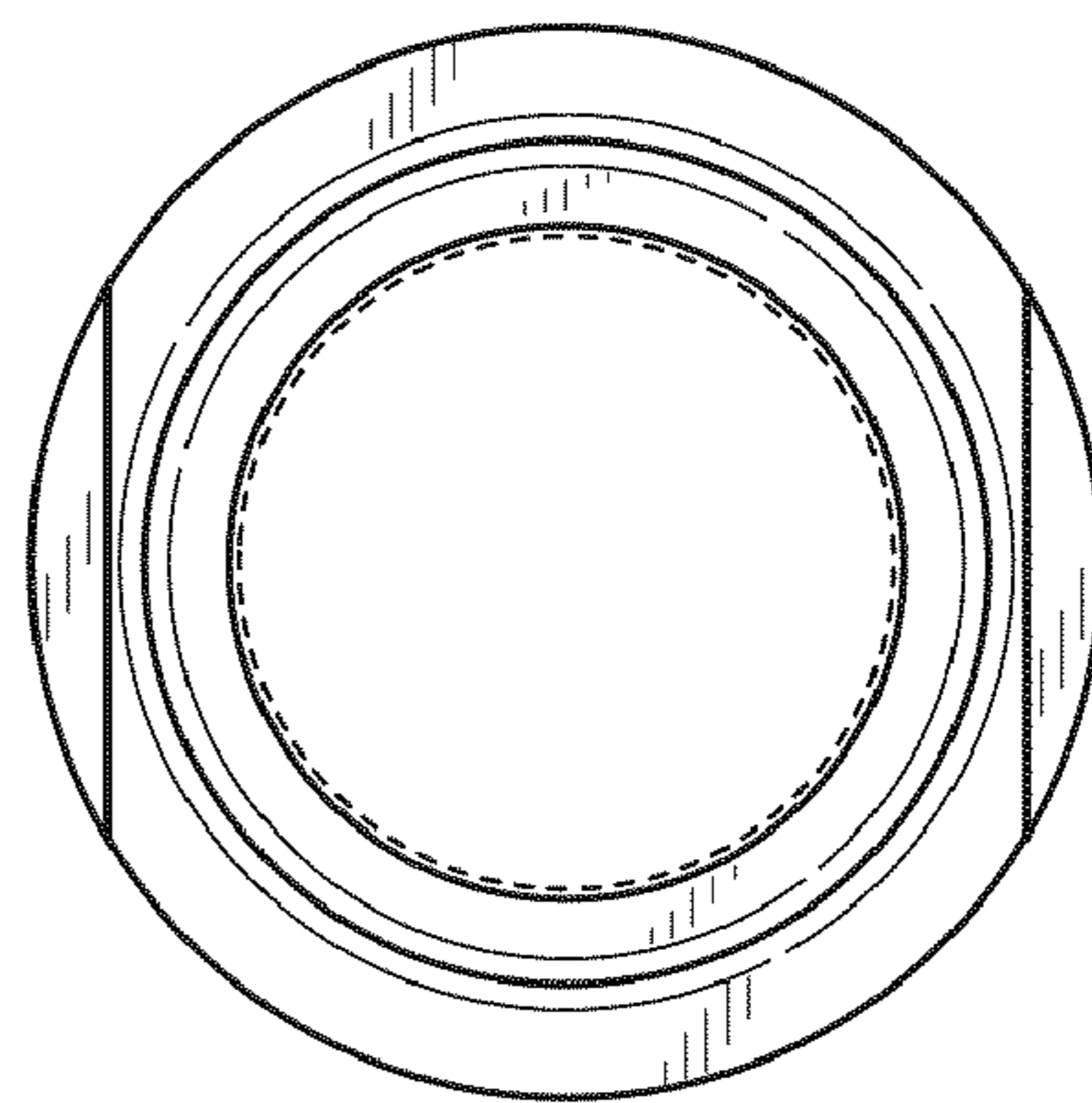


FIG. 6