



US00D648007S

(12) **United States Design Patent**
Morishita

(10) **Patent No.:** **US D648,007 S**

(45) **Date of Patent:** **** Nov. 1, 2011**

(54) **AIR DIFFUSION PIPE FOR A FILTER**

(75) Inventor: **Noriyuki Morishita**, Tokyo (JP)

(73) Assignee: **Asahi Kasei Chemicals Corporation**,
Tokyo (JP)

(**) Term: **14 Years**

(21) Appl. No.: **29/384,405**

(22) Filed: **Jan. 31, 2011**

(30) **Foreign Application Priority Data**

Aug. 2, 2010 (JP) D2010-018809

(51) **LOC (9) Cl.** **23-01**

(52) **U.S. Cl.** **D23/259**

(58) **Field of Classification Search** D23/259-266;
210/232, 323.2, 321.72, 321.78, 321.8, 321.88,
210/321.89, 500.23

See application file for complete search history.

(56) **References Cited**

U.S. PATENT DOCUMENTS

D371,331	S	*	7/1996	Mooradian	D12/114
D429,627	S	*	8/2000	Gradwell	D8/382
D450,814	S	*	11/2001	Aldred et al.	D23/259
D452,299	S	*	12/2001	Aldred et al.	D23/259
2008/0164203	A1	*	7/2008	Nakahara et al.	210/483
2009/0314706	A1	*	12/2009	Kim et al.	210/462
2010/0072124	A1	*	3/2010	Morikawa et al.	210/321.79
2010/0096317	A1	*	4/2010	Morita	210/321.84
2010/0155334	A1	*	6/2010	Taniguchi et al.	210/650
2010/0186777	A1	*	7/2010	Nakahara et al.	134/30
2010/0200481	A1	*	8/2010	Nakahara et al.	210/151
2010/0237014	A1	*	9/2010	Pedersen et al.	210/650
2010/0270227	A1	*	10/2010	Kang et al.	210/236
2010/0282655	A1	*	11/2010	Matsuzaki et al.	210/151
2011/0005987	A1	*	1/2011	Matsuzaki et al.	210/232

* cited by examiner

Primary Examiner — T. Chase Nelson

Assistant Examiner — Eric Goodman

(74) *Attorney, Agent, or Firm* — Greenblum & Bernstein
P.L.C.

(57) **CLAIM**

I claim the ornamental design for an air diffusion pipe for a filter, as shown and described.

DESCRIPTION

FIG. 1 is a front elevational view of an air diffusion pipe for a filter, showing my new design;

FIG. 2 is a rear elevational view thereof;

FIG. 3 is a top plan view thereof;

FIG. 4 is a bottom plan view thereof;

FIG. 5 is right side elevational view thereof;

FIG. 6 is a left side elevational view thereof;

FIG. 7 is a perspective view thereof;

FIG. 8 is a sectional view taken along line 8-8 in FIG. 3;

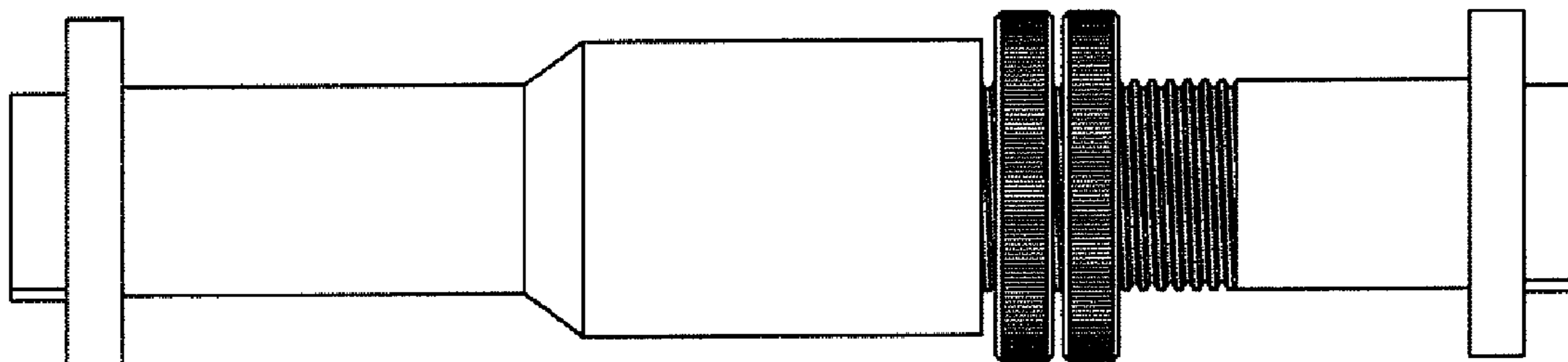
FIG. 9 is a perspective view showing the air diffusion pipe for a filter of my new design in use; and,

FIG. 10 is an enlarged perspective view showing the air diffusion pipe for a filter of my new design in use, with the hollow fiber membrane module and support stand removed for viewing the lock nuts.

The perspective views FIGS. 9 and 10 show the air diffusion pipe for a filter of my new design in environments in which the pipe for a filter may be used, and are for illustrative purposes only.

The broken line showing is included for the purpose of illustrating environment and forms no part of the claimed design.

1 Claim, 10 Drawing Sheets



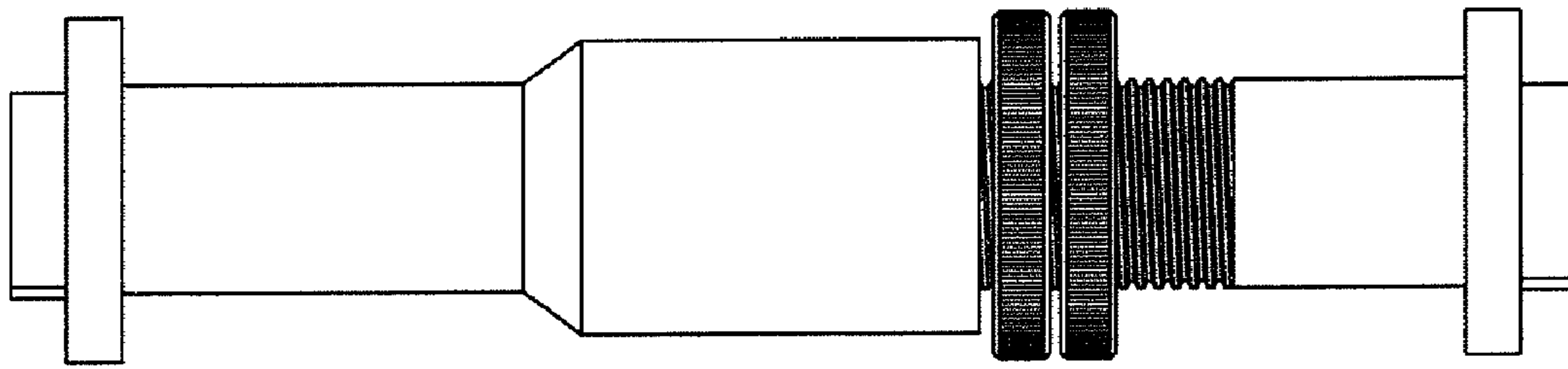


FIG. 1

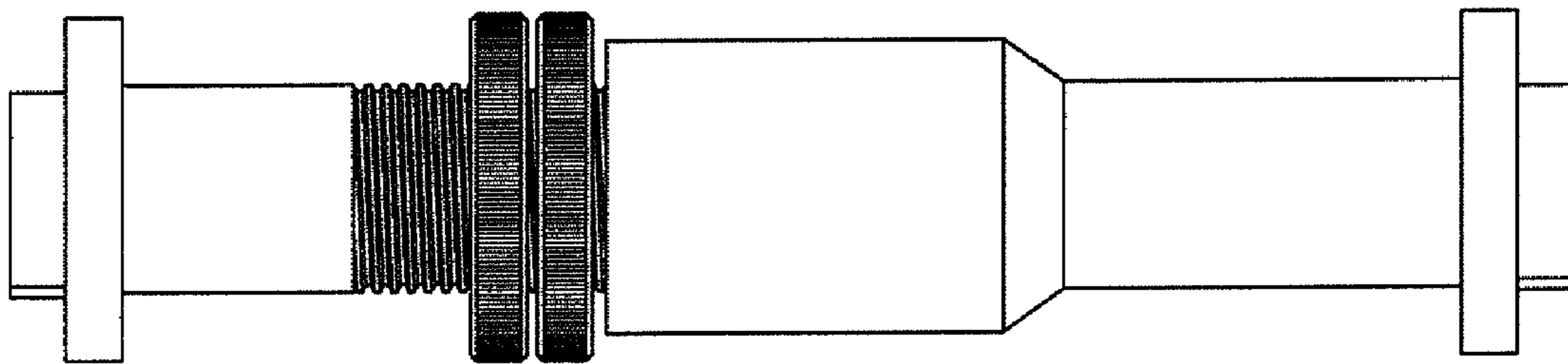


FIG. 2

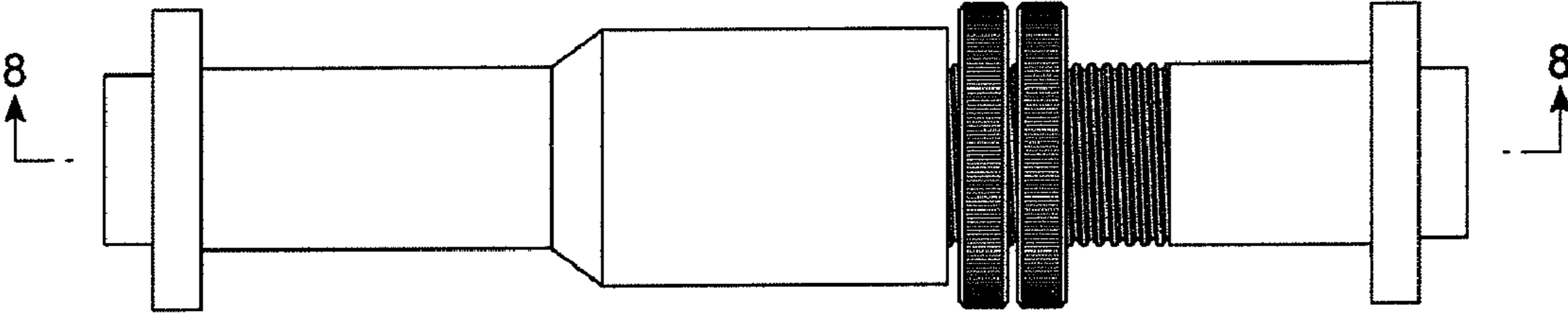


FIG. 3

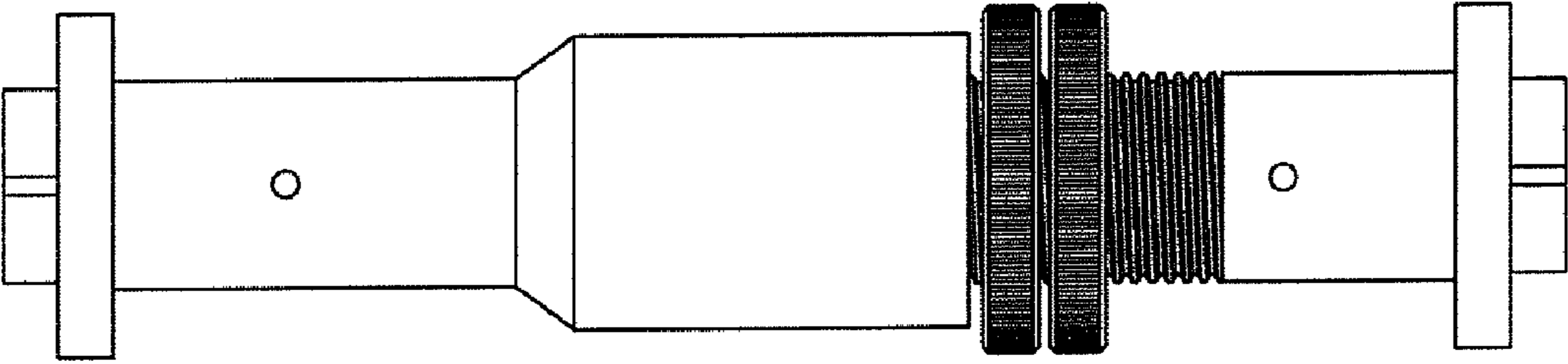


FIG. 4

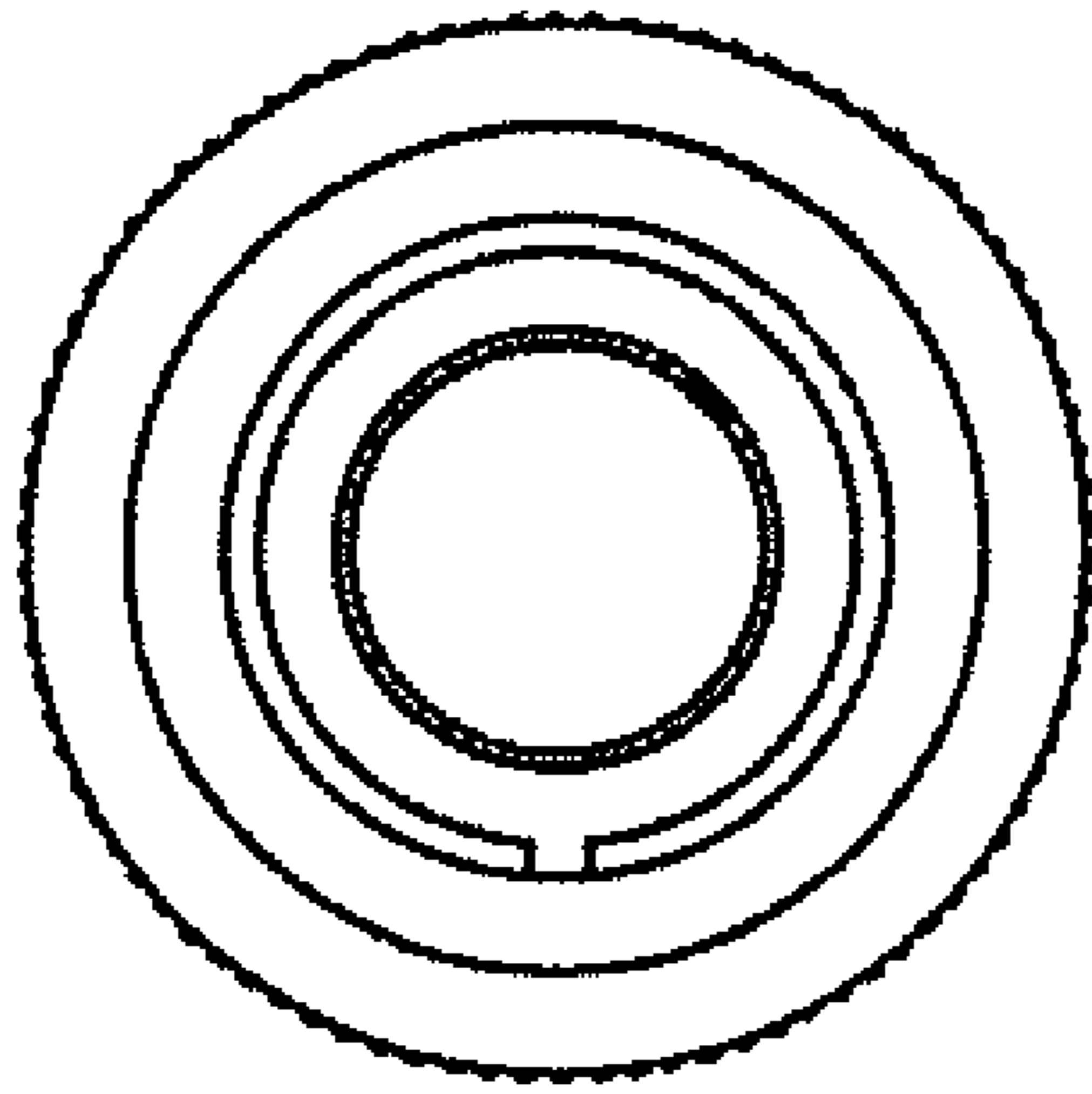


FIG. 5

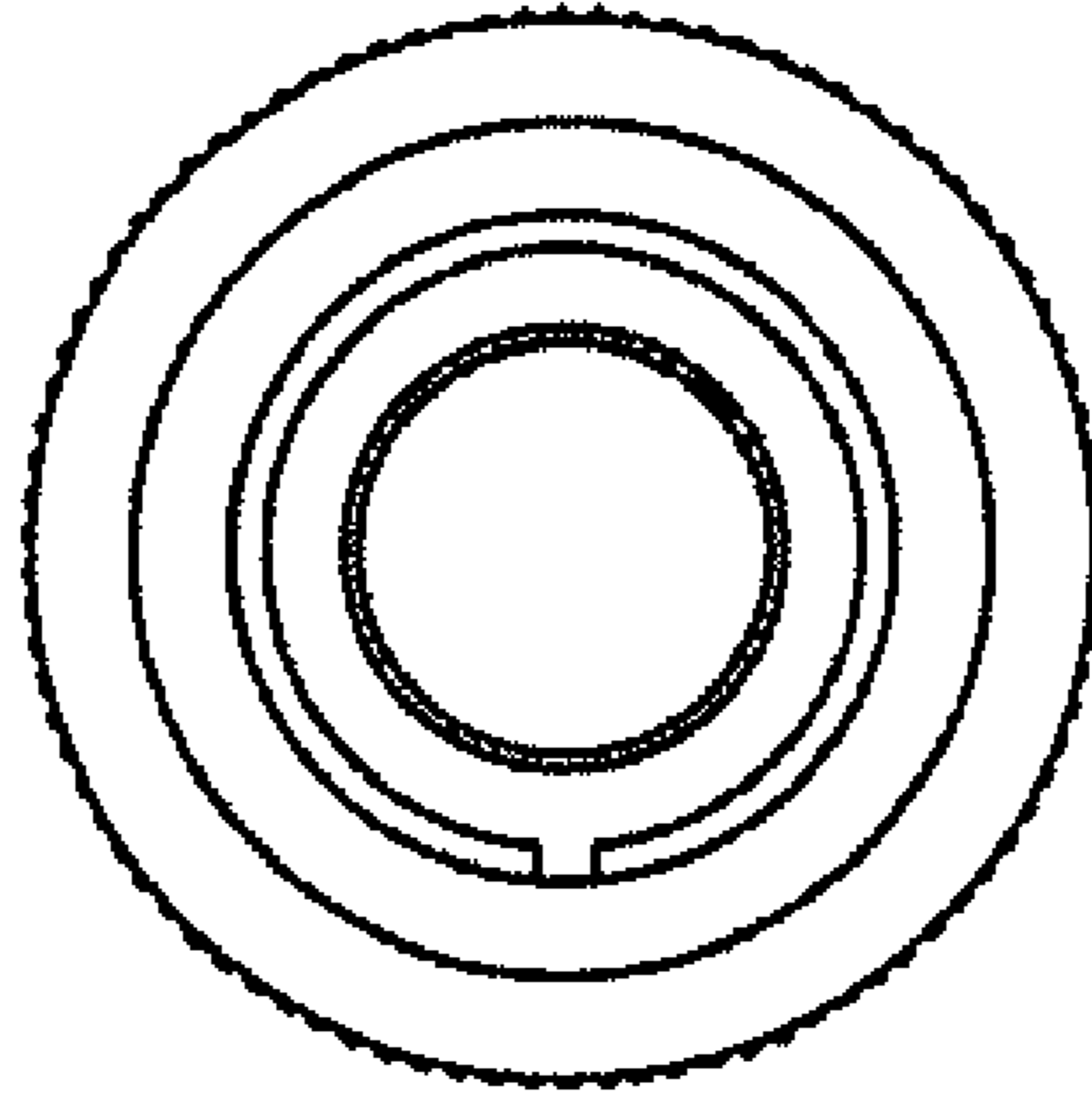


FIG. 6

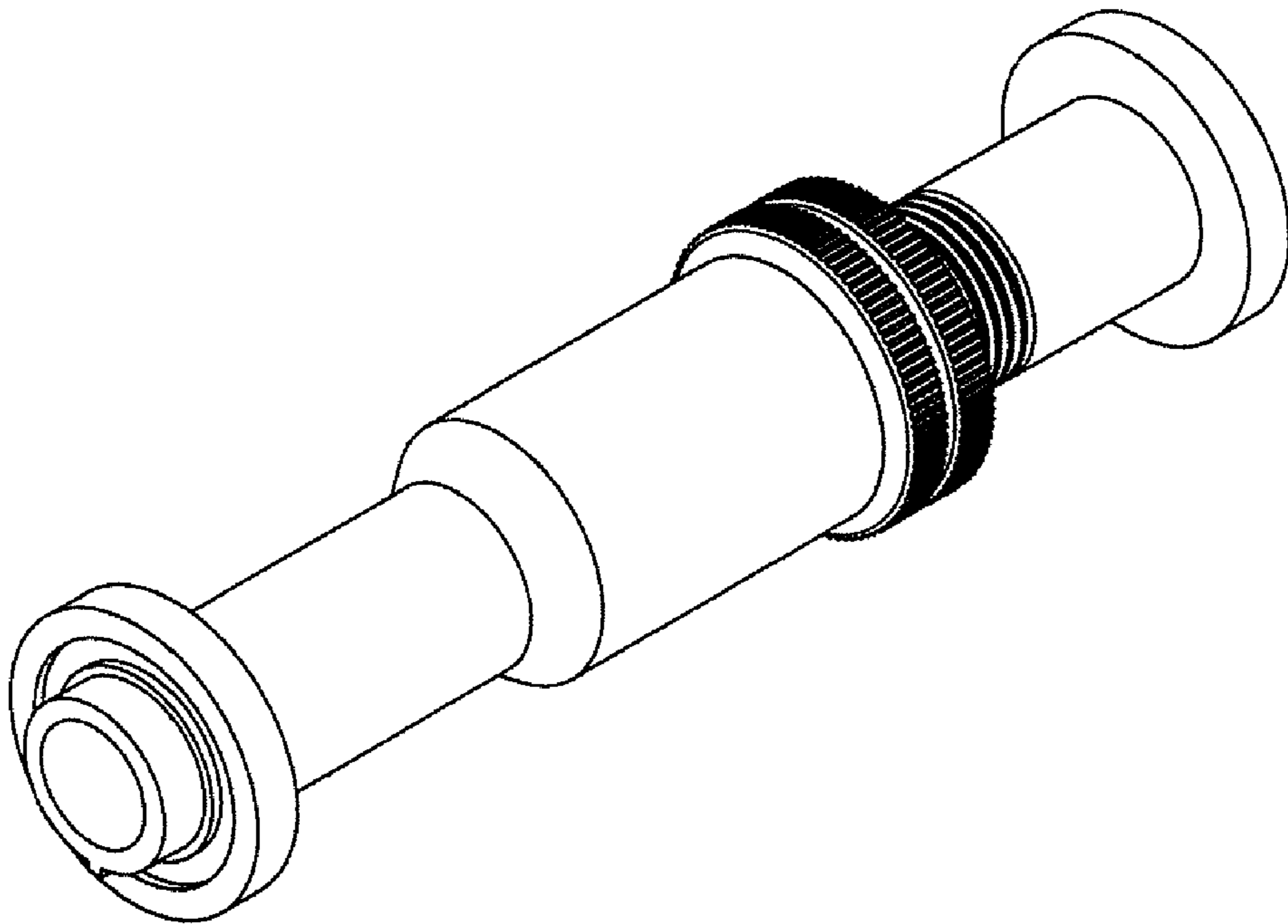


FIG. 7

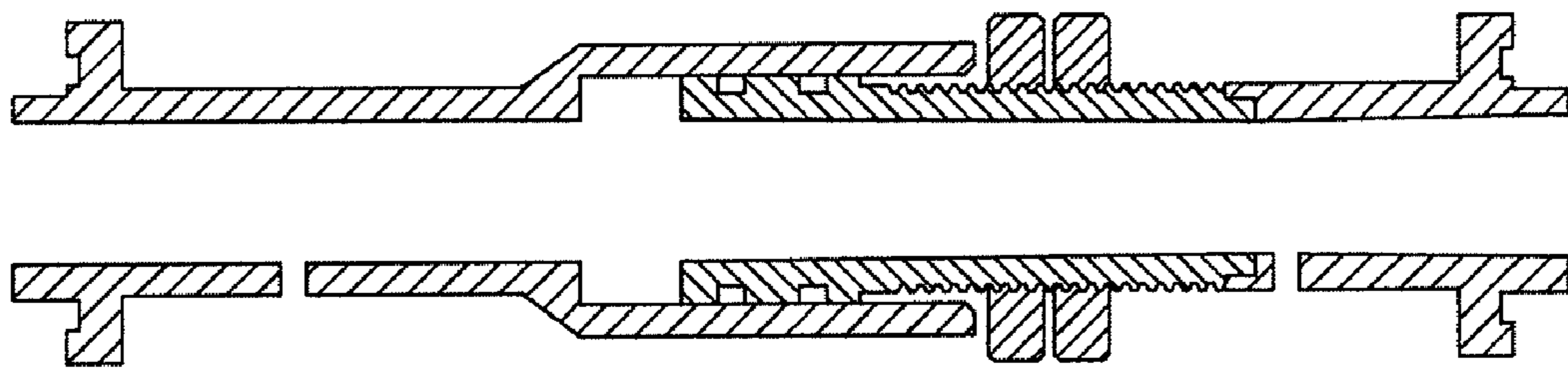


FIG. 8

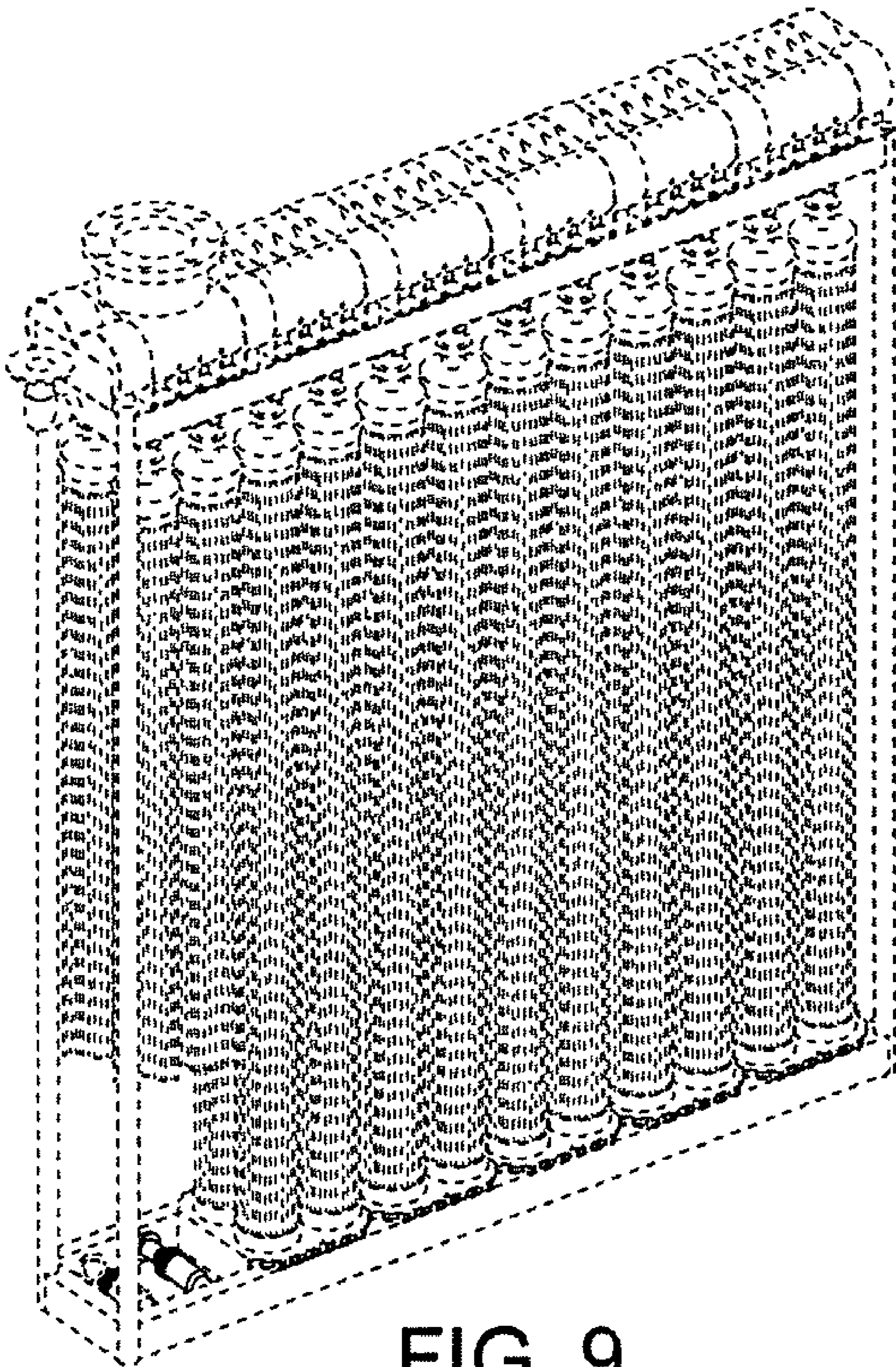


FIG. 9

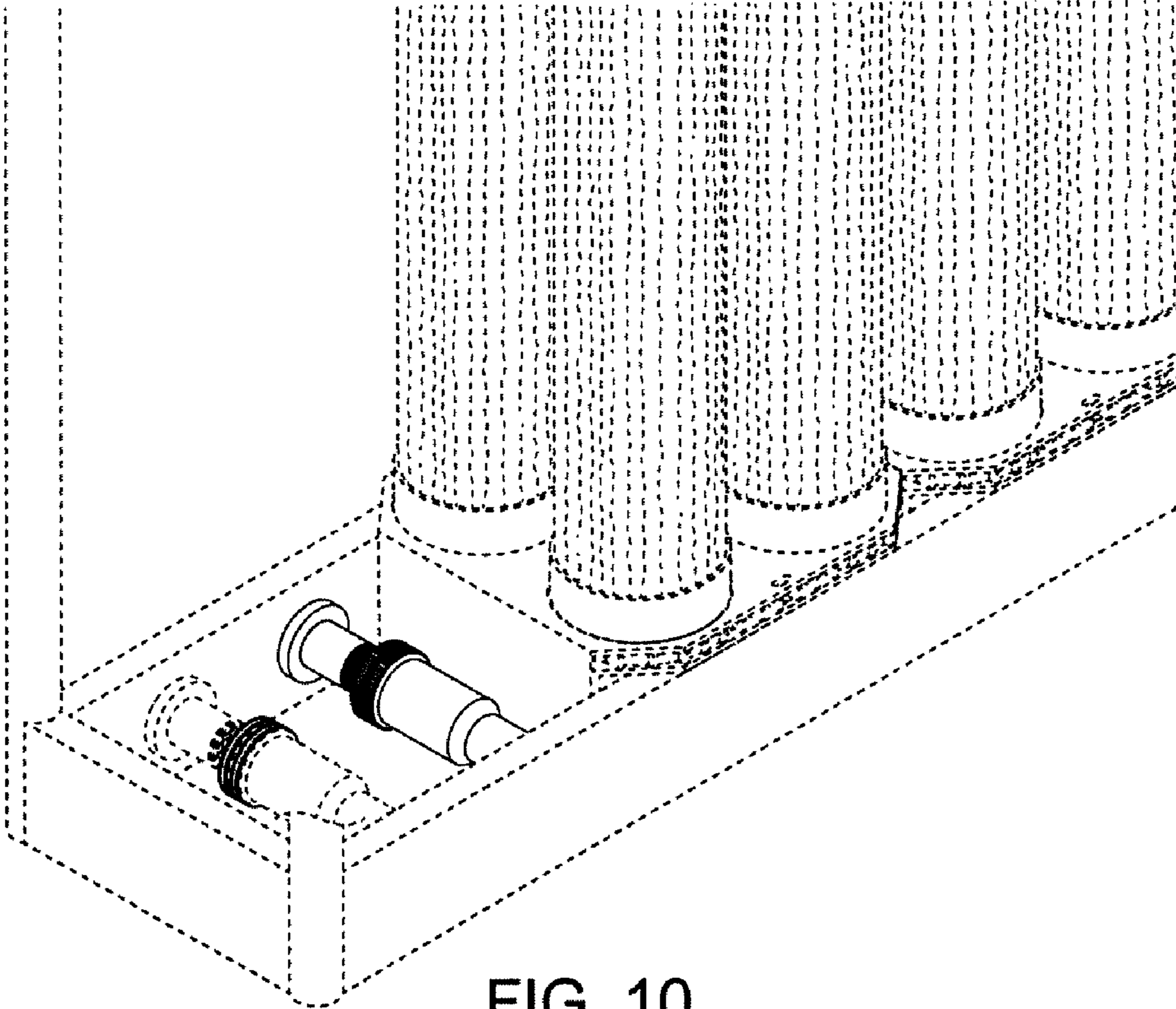


FIG. 10