



US00D648005S

(12) **United States Design Patent**  
**Morishita**

(10) **Patent No.:** **US D648,005 S**

(45) **Date of Patent:** **\*\* Nov. 1, 2011**

(54) **PIPE FITTING FOR A FILTER**

(75) Inventor: **Noriyuki Morishita**, Tokyo (JP)

(73) Assignee: **Asahi Kasei Chemicals Corporation**,  
Tokyo (JP)

(\*\*) Term: **14 Years**

(21) Appl. No.: **29/379,977**

(22) Filed: **Nov. 29, 2010**

(30) **Foreign Application Priority Data**

May 31, 2010 (JP) ..... D2010-013374

(51) **LOC (9) Cl.** ..... **23-01**

(52) **U.S. Cl.** ..... **D23/259**

(58) **Field of Classification Search** ..... D23/259-266;  
210/232, 323.2, 321.72, 321.78, 321.8, 321.88,  
210/321.89, 500.23; D8/382-387, 397; D10/64  
See application file for complete search history.

(56) **References Cited**

U.S. PATENT DOCUMENTS

4,373,767	A *	2/1983	Cairns	439/275
D367,036	S *	2/1996	Lee	D13/133
5,548,088	A *	8/1996	Gray et al.	174/74 R
D376,580	S *	12/1996	Lee	D13/133
5,651,698	A *	7/1997	Locati et al.	439/578
D432,087	S *	10/2000	Malak	D13/154
D432,088	S *	10/2000	Malak	D13/154
D432,089	S *	10/2000	Malak	D13/154
D432,090	S *	10/2000	Malak	D13/154
D432,993	S *	10/2000	Palinkas	D13/154
D460,047	S *	7/2002	Ching	D13/147
D460,417	S *	7/2002	Wood	D13/147

(Continued)

FOREIGN PATENT DOCUMENTS

AU 97691 8/1987

(Continued)

OTHER PUBLICATIONS

U.S. Appl. No. 29/379,979 to Noriyuki Morishita, filed Nov. 29, 2010.

(Continued)

*Primary Examiner* — T. Chase Nelson

*Assistant Examiner* — Eric Goodman

(74) *Attorney, Agent, or Firm* — Greenblum & Bernstein P.L.C.

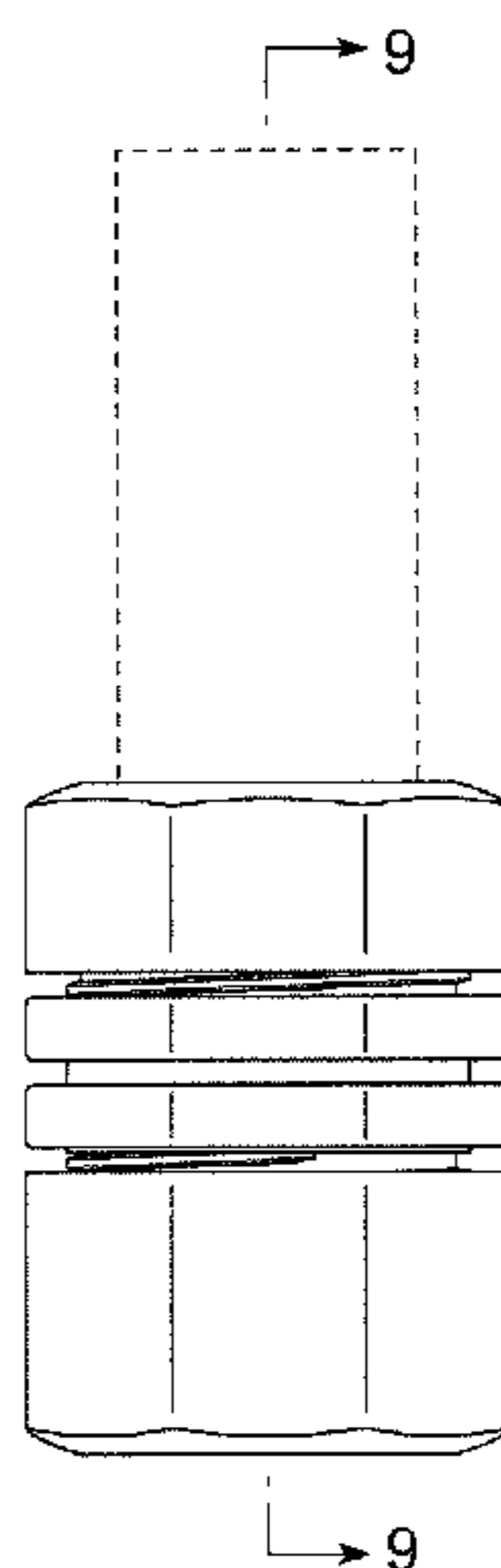
(57) **CLAIM**

I claim the ornamental design for a pipe fitting for a filter, as shown and described.

**DESCRIPTION**

FIG. 1 is a front elevational view of a pipe fitting for a filter, showing my new design;  
 FIG. 2 is a rear elevational view thereof;  
 FIG. 3 is a top plan view thereof;  
 FIG. 4 is a bottom plan view thereof;  
 FIG. 5 is right side elevational view thereof;  
 FIG. 6 is a left side elevational view thereof;  
 FIG. 7 is a top perspective view thereof;  
 FIG. 8 is a bottom perspective view thereof;  
 FIG. 9 is a sectional view taken along line 9-9 in FIG. 1, with the inner mechanism omitted;  
 FIG. 10 is a perspective view showing the pipe fitting for a filter of my new design in a first condition of use;  
 FIG. 11 is an elevation view showing the pipe fitting for a filter of my new design in a second use and in an alternate position; and,  
 FIG. 12 is a sectional view showing the pipe fitting for a filter of my new design in a third use.  
 The parts shown as broken lines in the various views in the figures form no part of the claimed design. FIGS. 10-12 show the pipe fitting for a filter of my new design in environments in which the pipe fitting for a filter may be used, and are for illustrative purposes only.

**1 Claim, 12 Drawing Sheets**



# US D648,005 S

Page 2

---

## U.S. PATENT DOCUMENTS

D495,662 S \* 9/2004 Chawgo ..... D13/156  
D581,777 S \* 12/2008 Huang ..... D8/397

## FOREIGN PATENT DOCUMENTS

DE 9709914-0010 8/1998  
DE 402008003859-0001 10/2008  
EM 000106943-0002 3/2004  
EM 000418041-0001 11/2005  
EM 000774013-0001 8/2007  
EM 000804935-0001 11/2007  
EM 001666215-0001 3/2010  
EM 001689613-0001 4/2010  
FR 063790 10/2006  
GB 1029581 7/1986  
GB 1052804 3/1989  
GB 1056519 8/1989

JP 821565 7/1991  
RU 61994 3/2007  
WO 051121 5/2000

## OTHER PUBLICATIONS

Russian Office Action , mail date Jun. 1, 2011 along with an English translation thereof.

“Tiemme-Raccorderie Catalogue”, Metalloobrabotka-2009 exhibition, May 27-31, 2002.

“Vargarda”, Feb. 26, 1983.

“Viega”, advertising pamphlet, Metalloobrabotka-2002 exhibition, Oct. 14, 2002.

Russia Office action, dated Apr. 22, 2011 along with an English translation thereof.

\* cited by examiner

Fig. 1

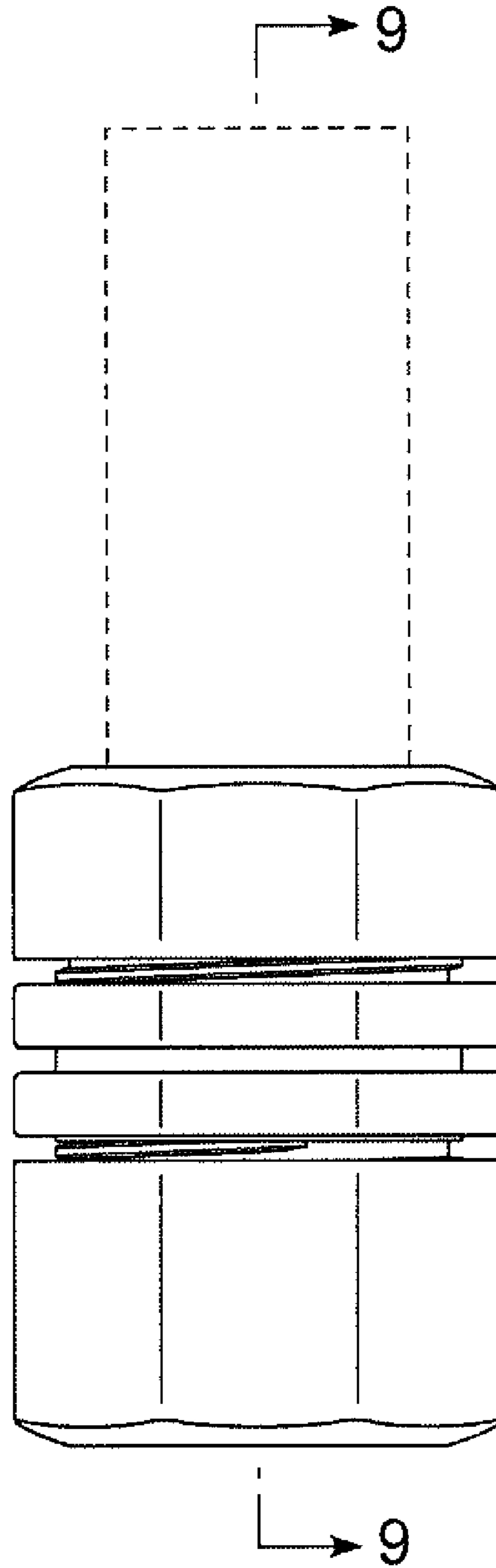
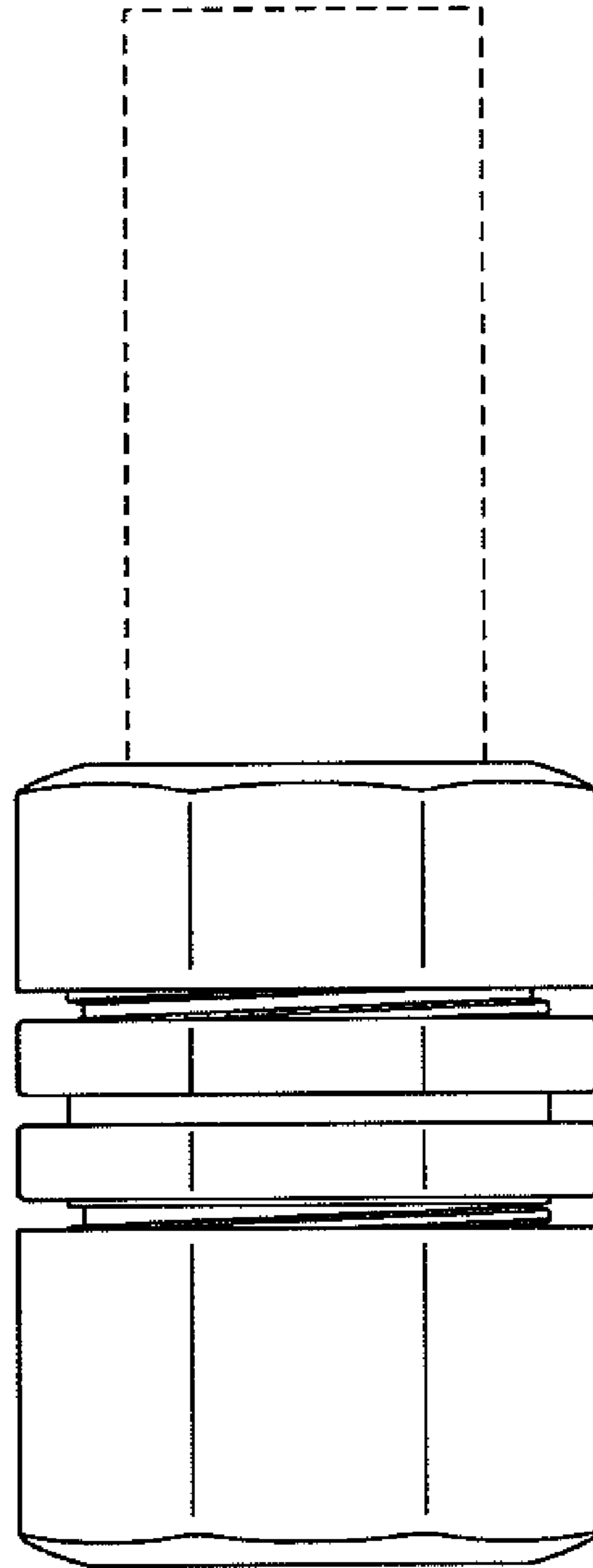
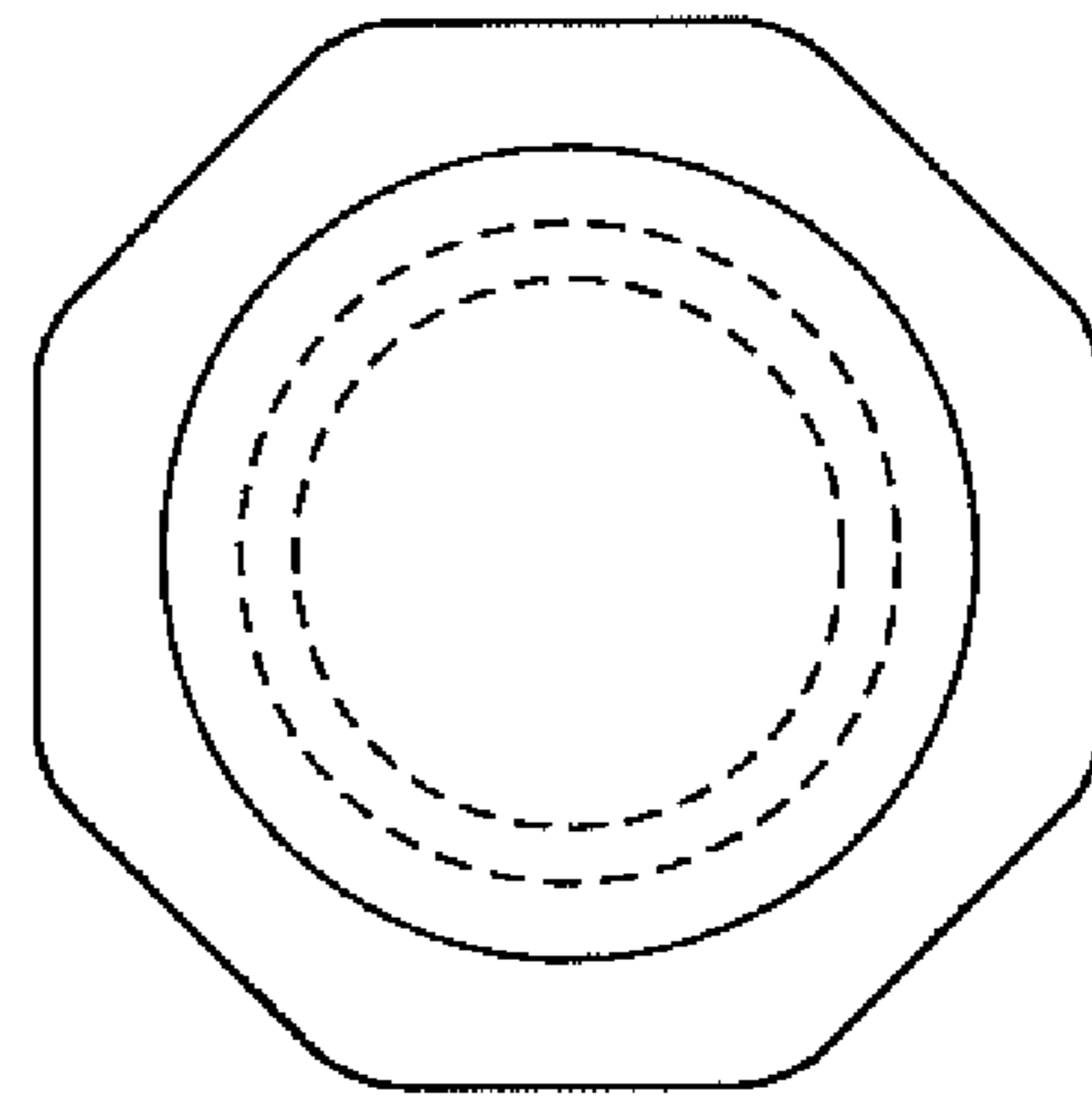


Fig. 2



**Fig. 3**



**Fig. 4**

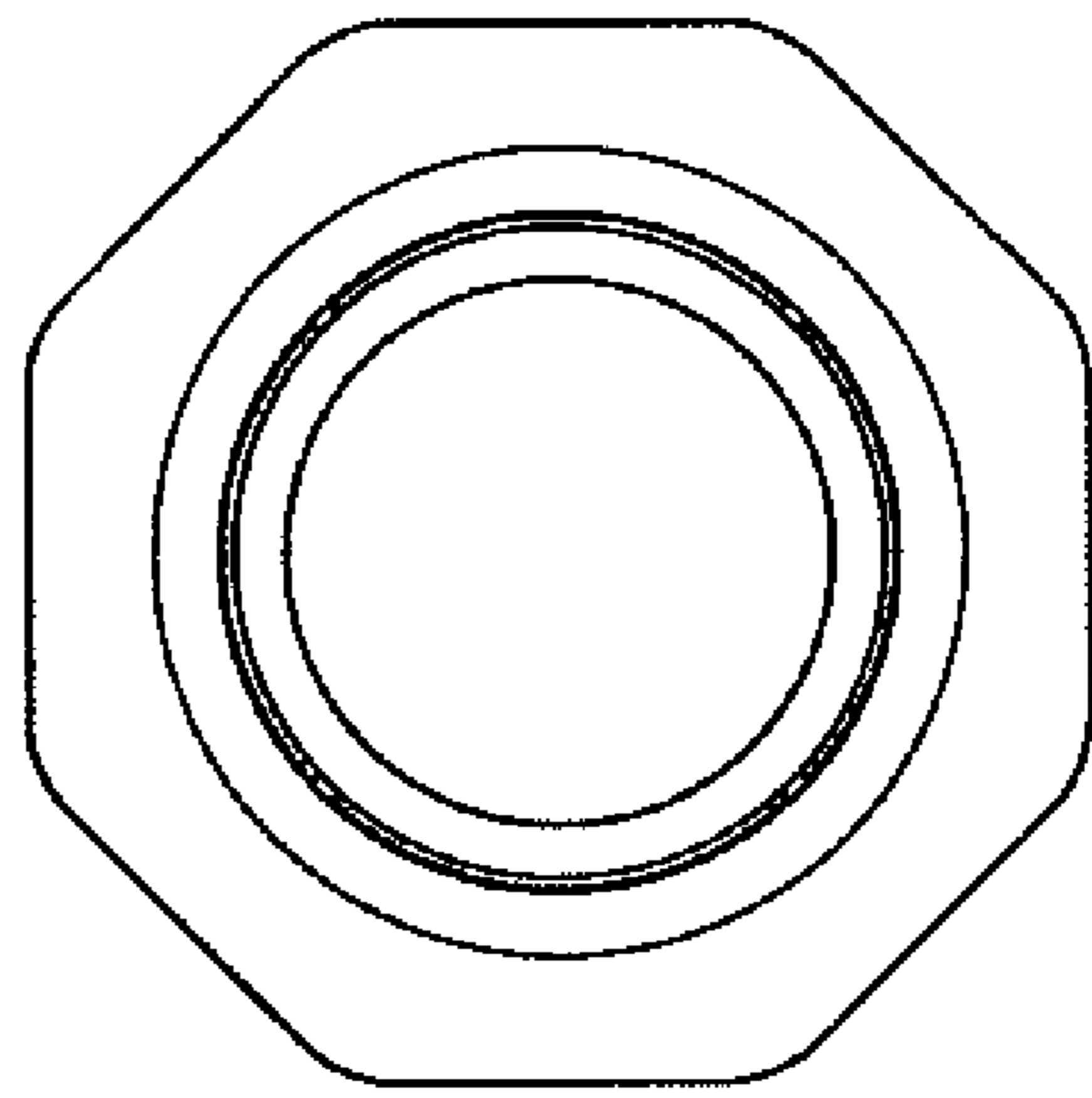


Fig. 5

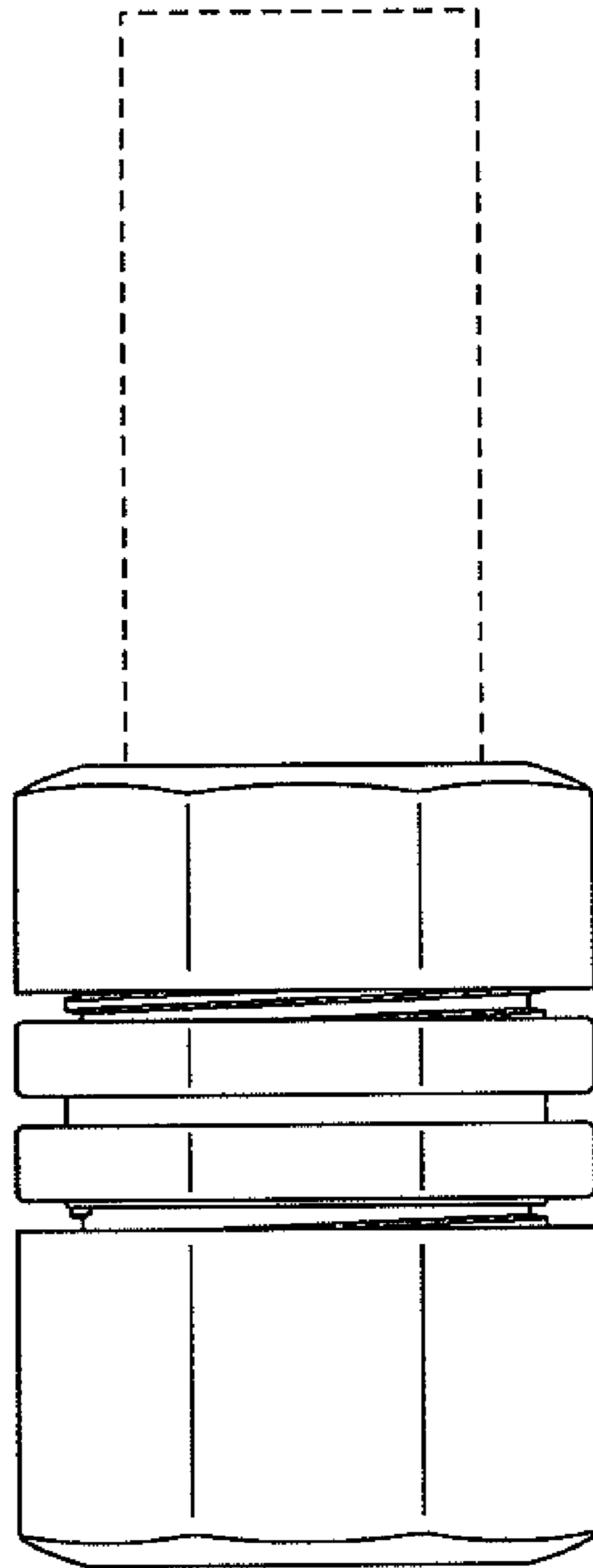


Fig. 6

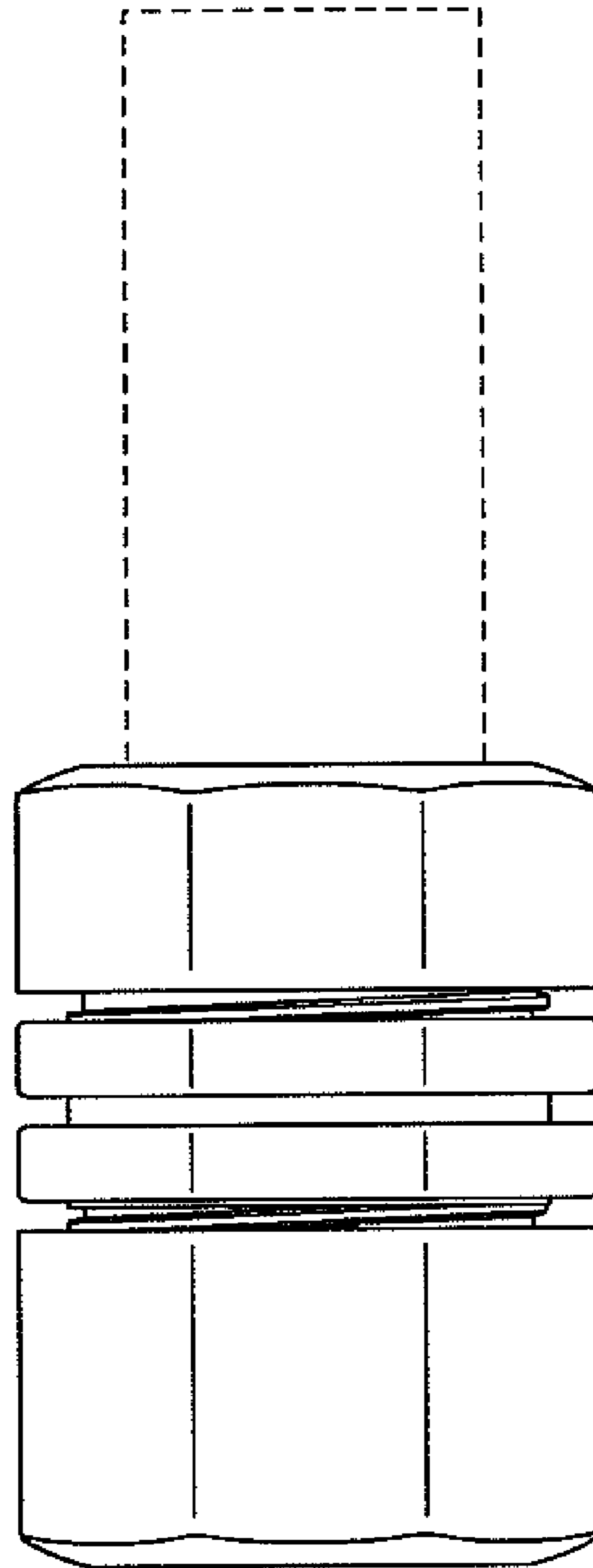




Fig. 7

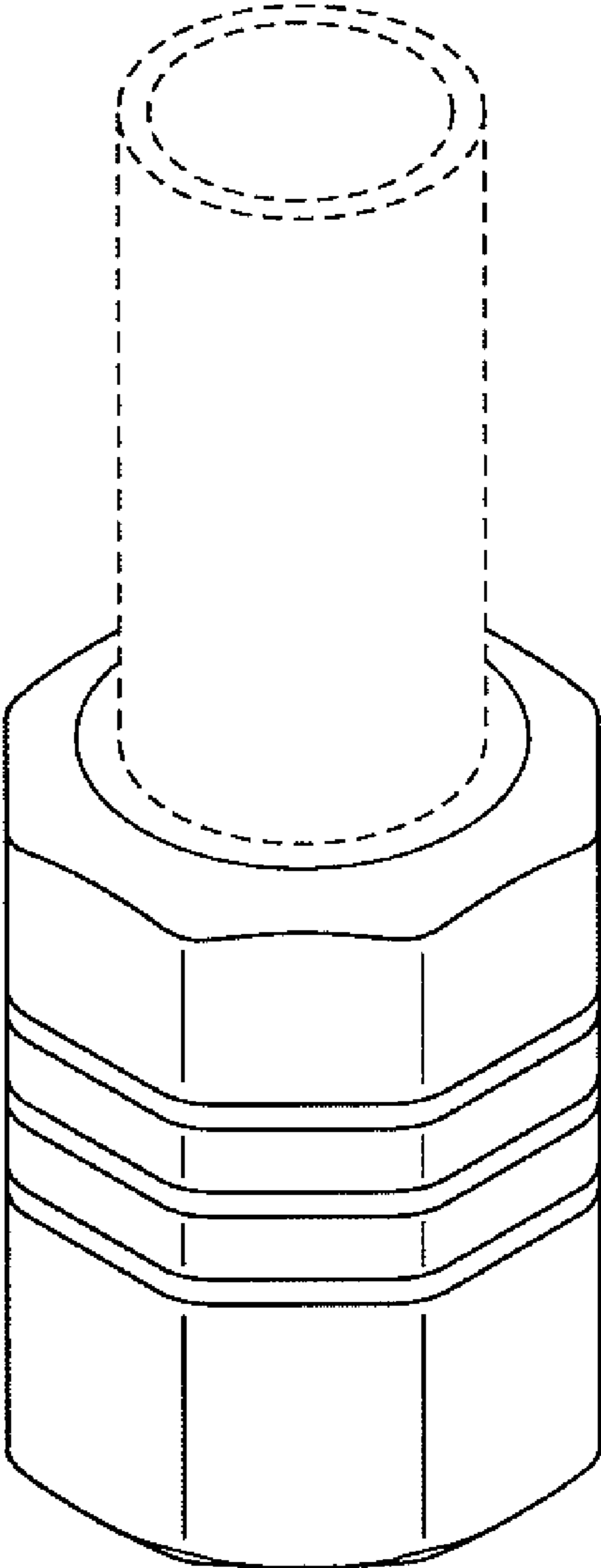


Fig. 8

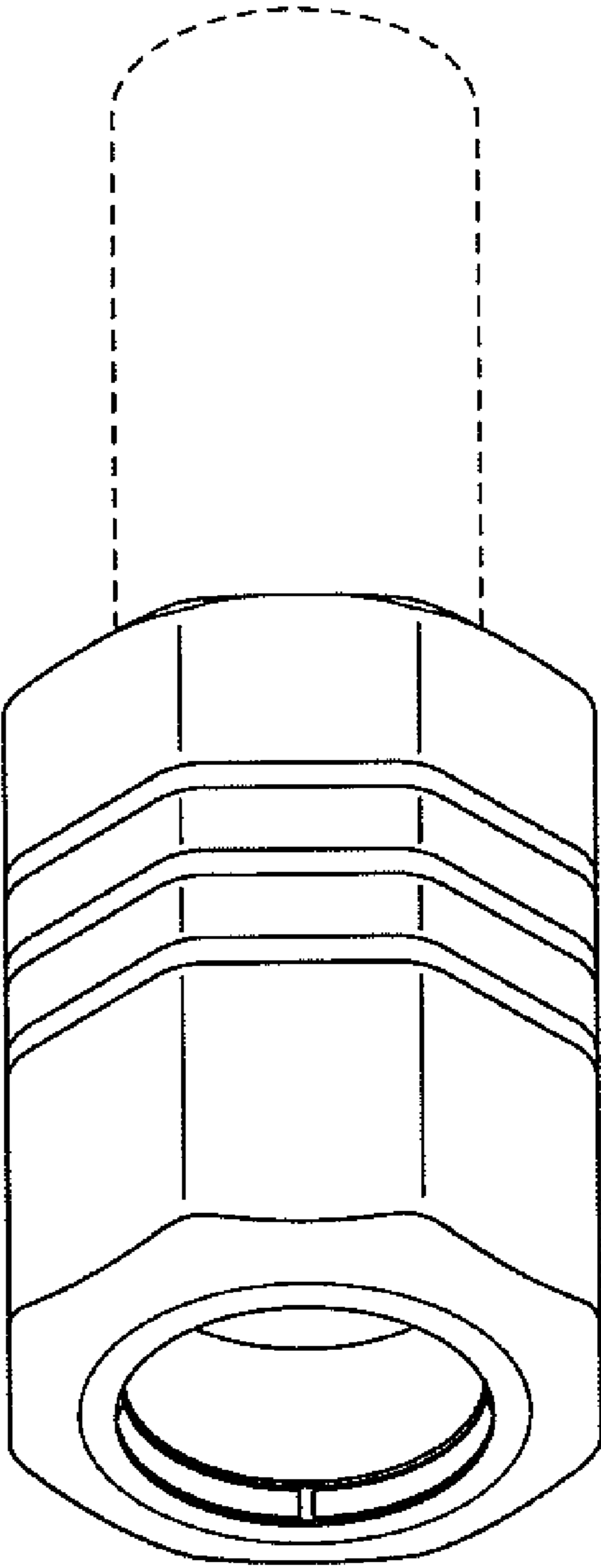
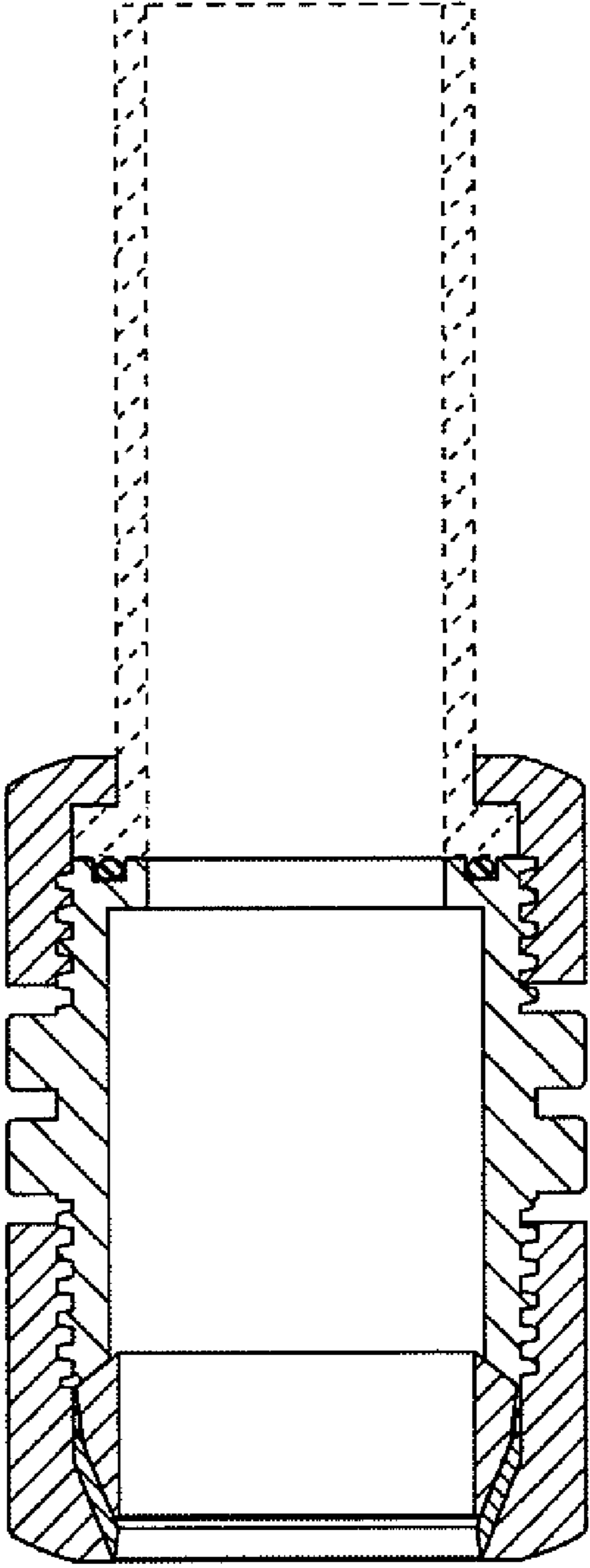


Fig. 9



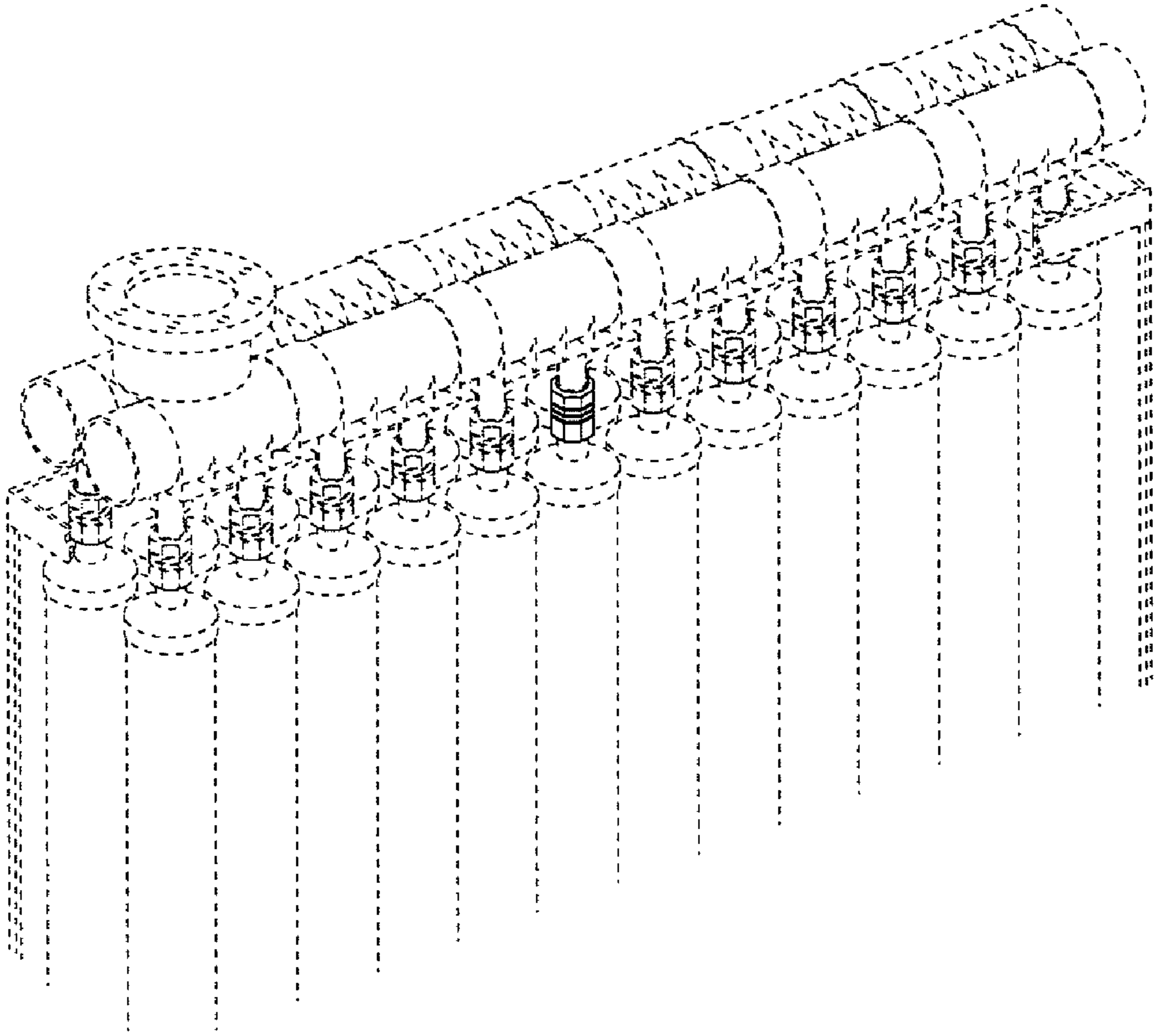


Fig. 10

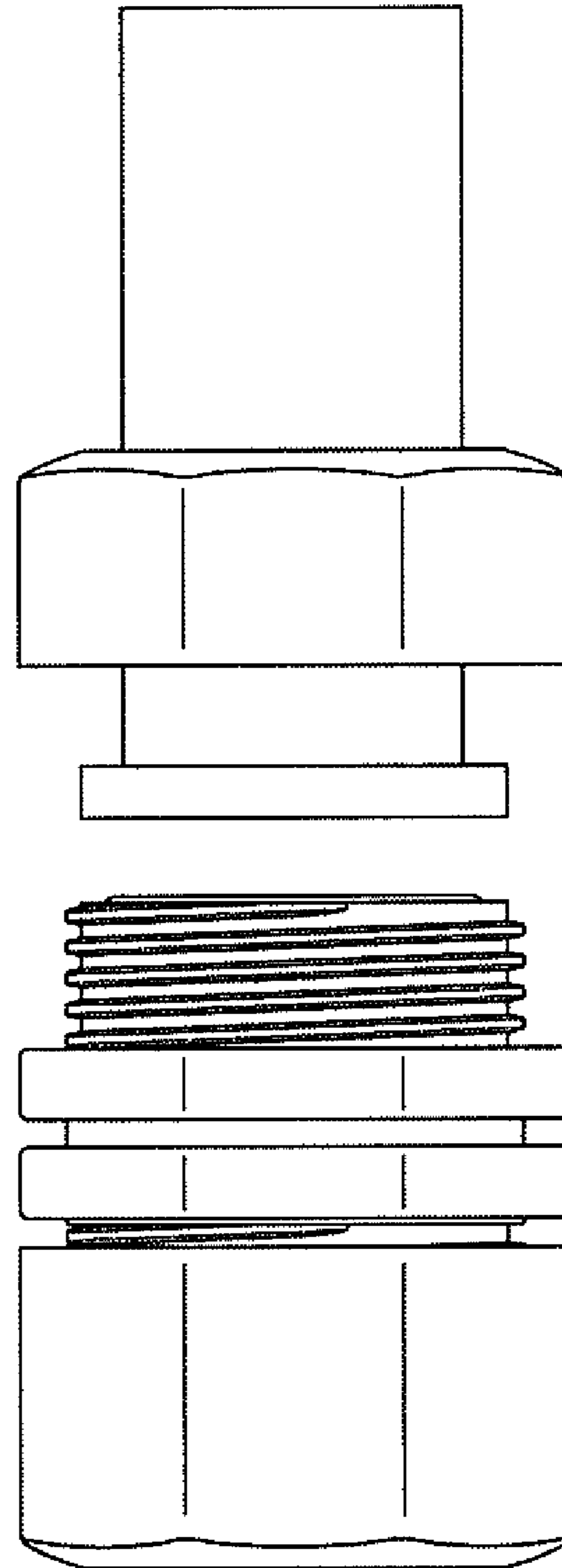


Fig. 11

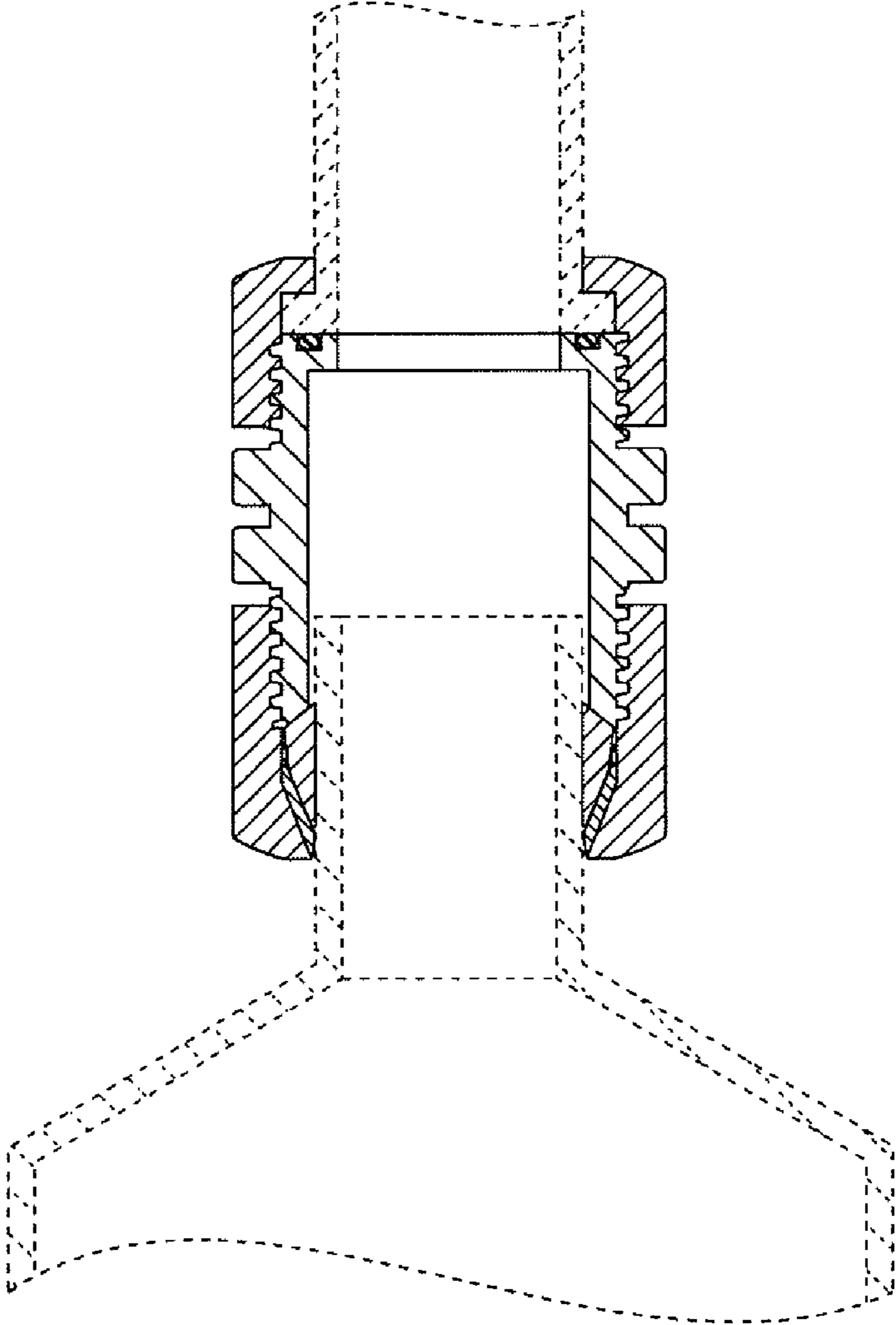


Fig. 12