



US00D648004S

(12) **United States Design Patent**
Downey

(10) **Patent No.:** **US D648,004 S**
(45) **Date of Patent:** **** Nov. 1, 2011**

(54) **SPOUT**

(75) Inventor: **David R. Downey**, Mission Viejo, CA (US)

(73) Assignee: **Newfrey LLC**, Newark, DE (US)

(**) Term: **14 Years**

(21) Appl. No.: **29/388,385**

(22) Filed: **Mar. 29, 2011**

(51) **LOC (9) Cl.** **02-01**

(52) **U.S. Cl.** **D23/257**

(58) **Field of Classification Search** D23/255,
D23/257, 238-243; 4/678; 137/801
See application file for complete search history.

(56) **References Cited**

U.S. PATENT DOCUMENTS

D528,640 S * 9/2006 Yoshioka D23/255
D581,493 S * 11/2008 Gilbert D23/255

D581,497 S * 11/2008 Dolan D23/255
D610,236 S * 2/2010 Schoenherr et al. D23/238
D631,529 S * 1/2011 Ko D23/238

* cited by examiner

Primary Examiner — Robert Delehanty

(74) *Attorney, Agent, or Firm* — Richard J. Veltham; John D. DePonti

(57) **CLAIM**

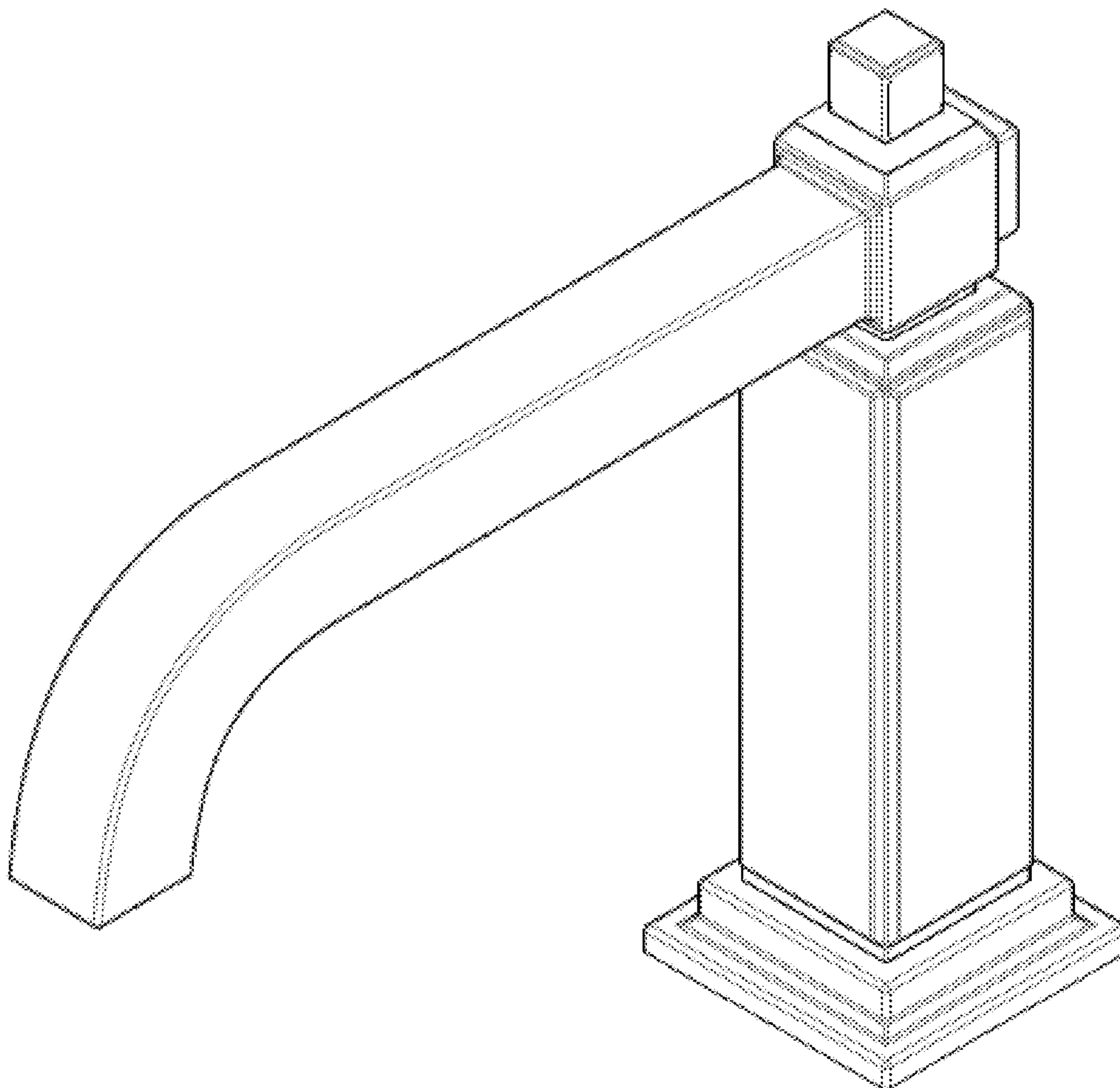
The ornamental design for a spout, as shown and described.

DESCRIPTION

FIG. 1 is a perspective view of a spout showing a new design; FIG. 2 is a front view thereof; FIG. 3 is a back view thereof; FIG. 4 is a top view thereof; FIG. 5 is a bottom view thereof; and, FIG. 6 is a right side view thereof, the left side view being a mirror image.

The broken lines are for illustration purposes only and are not part of the claimed invention.

1 Claim, 4 Drawing Sheets



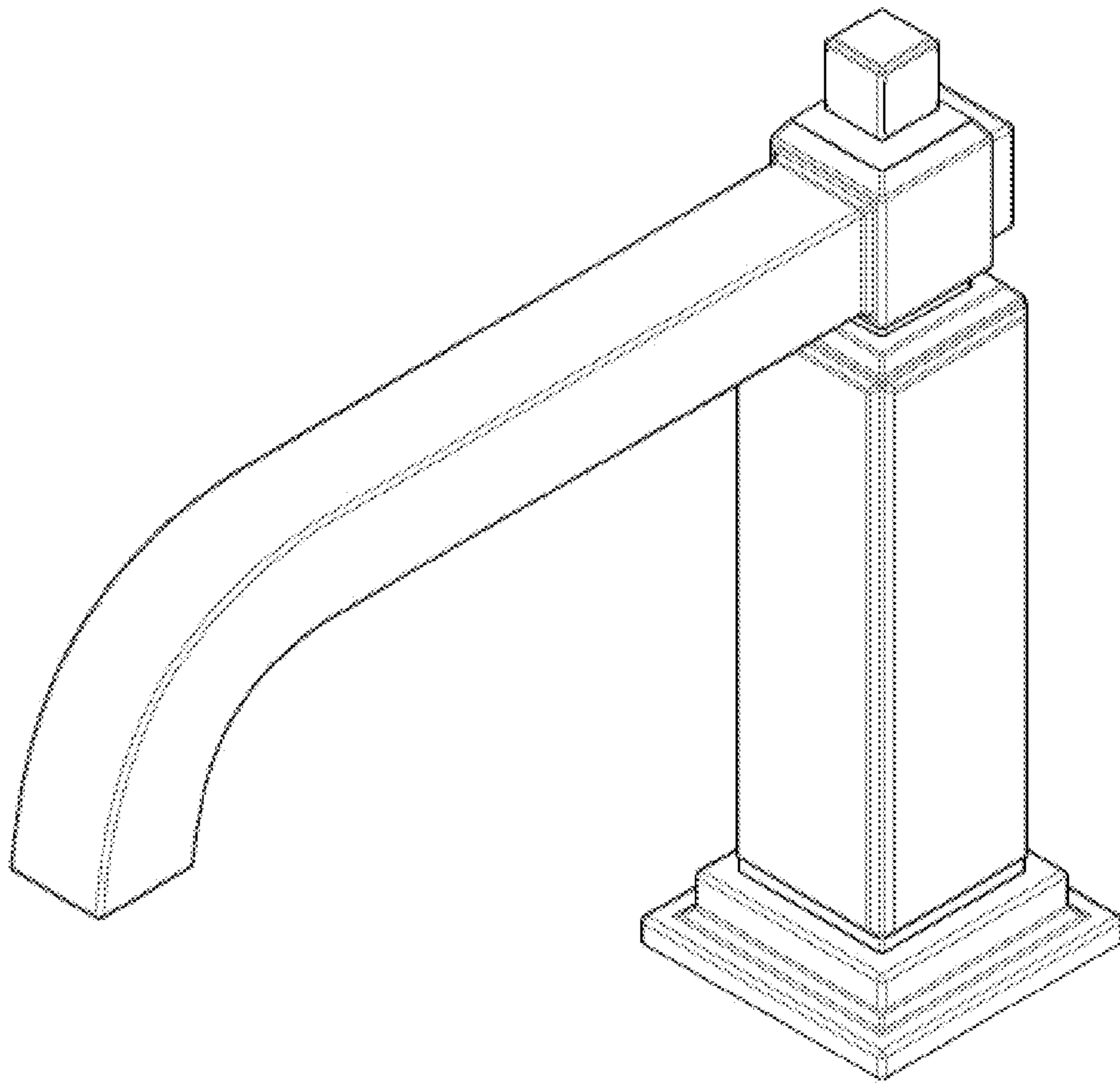


FIG. 1

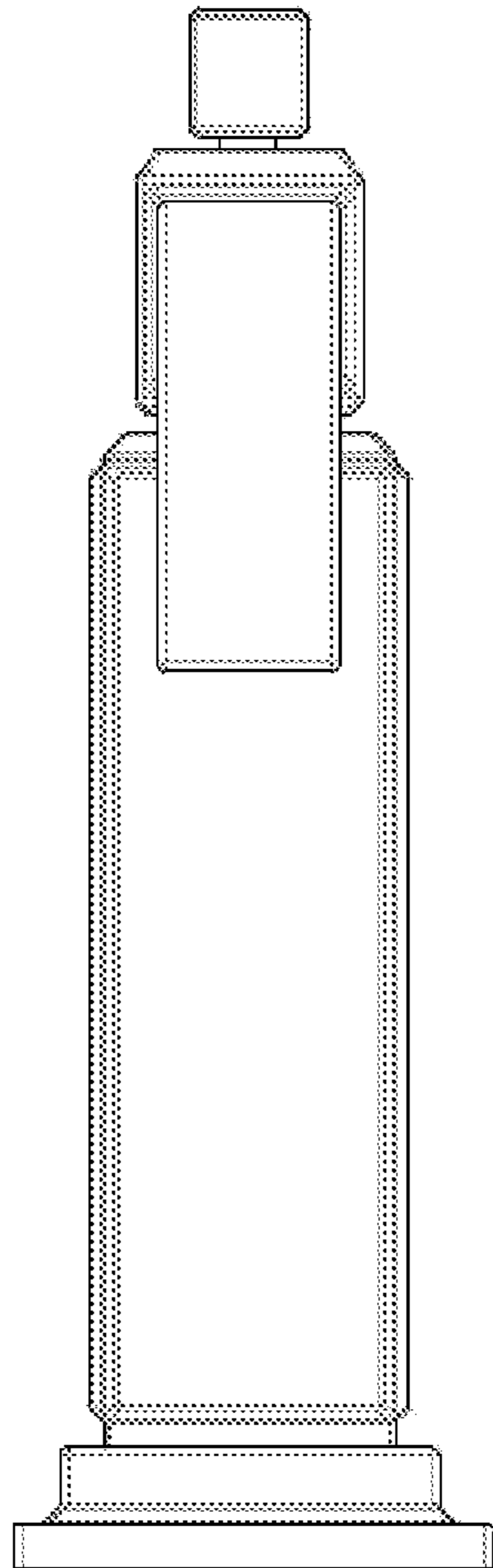


FIG. 2

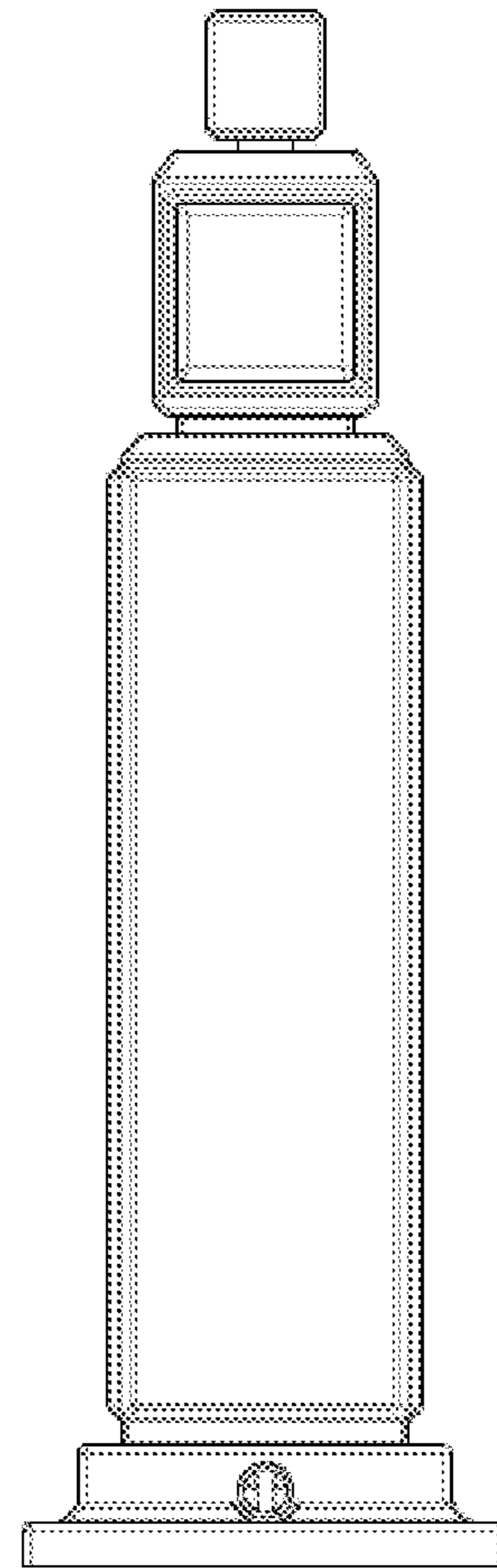


FIG. 3

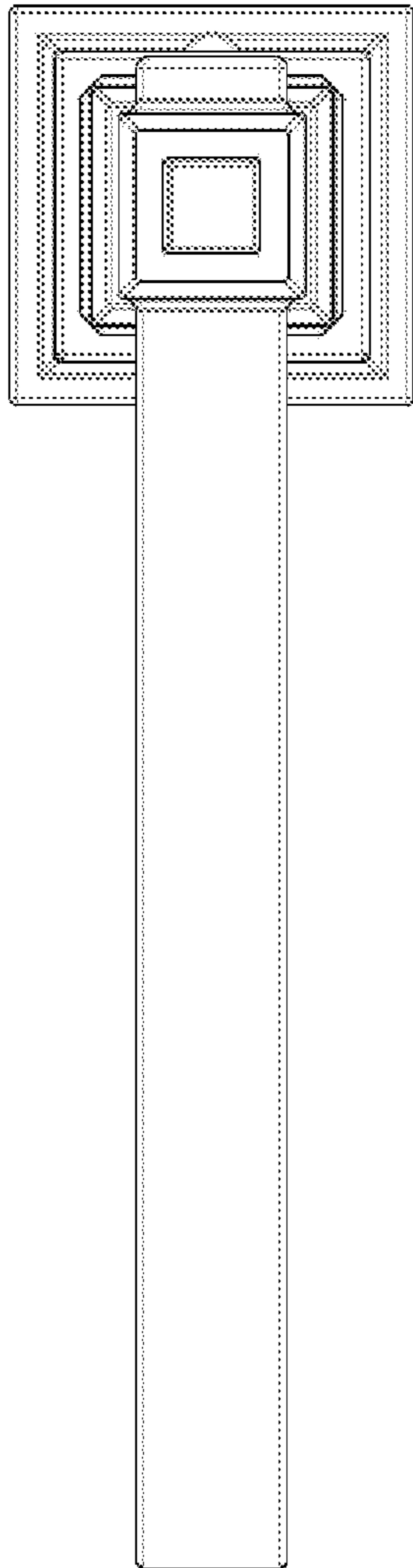


FIG. 4

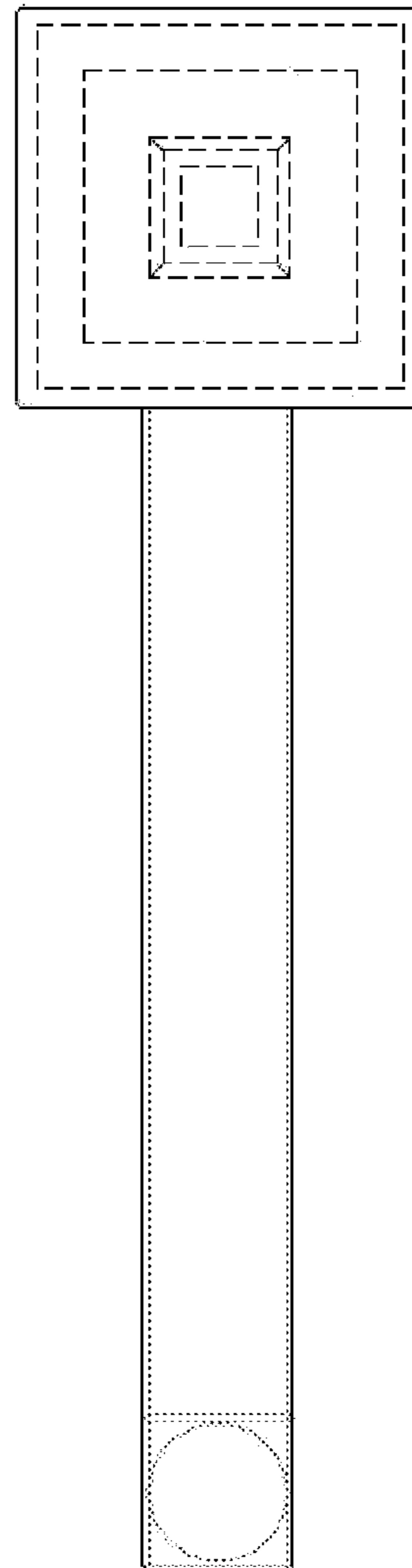


FIG. 5

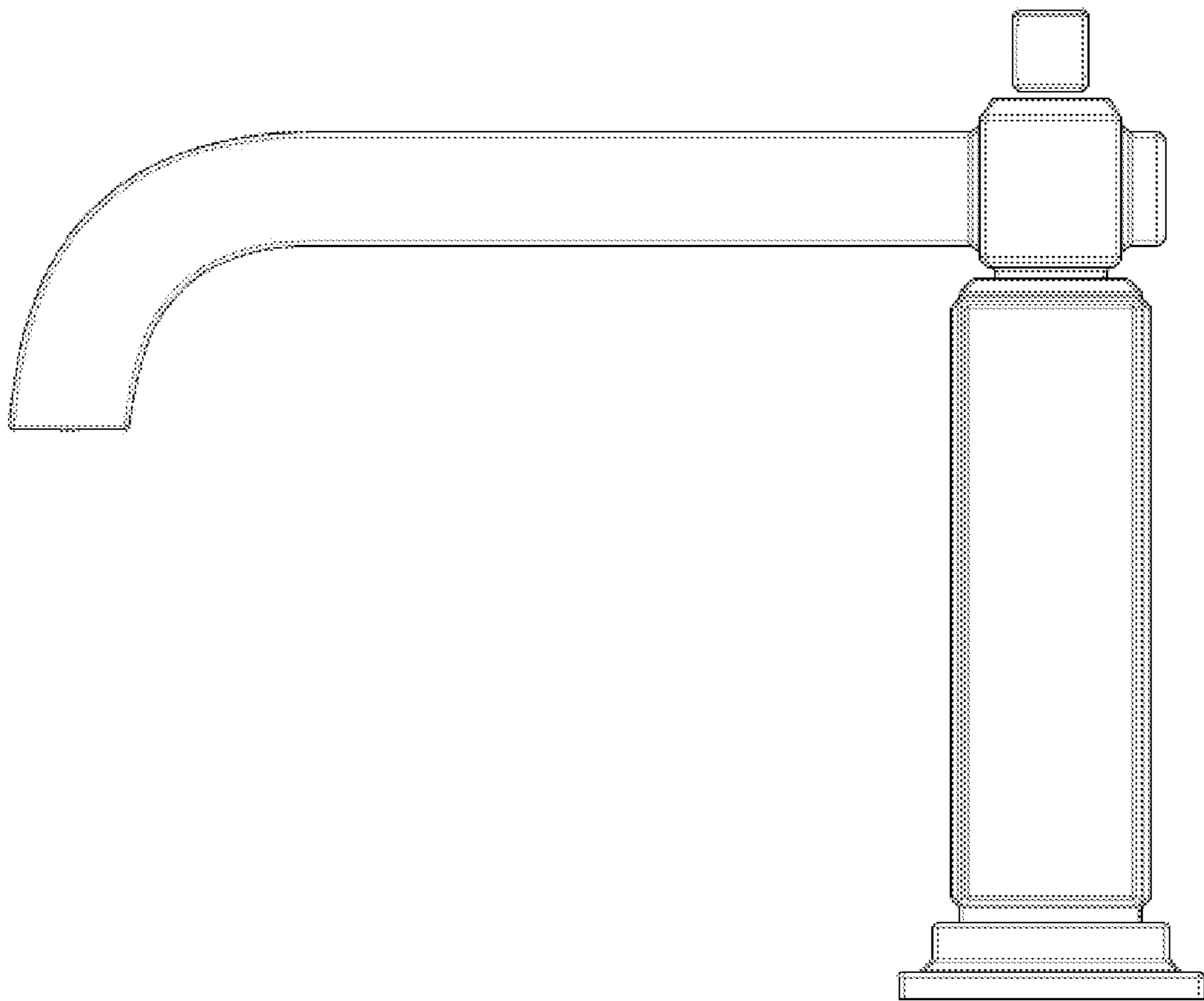


FIG. 6